



US00D323528S

United States Patent [19]

[11] Patent Number: **Des. 323,528**

Anderson

[45] Date of Patent: **** Jan. 28, 1992**

[54] **LOOSE-LEAF BINDER COVER**

[76] Inventor: **Jo Anne Anderson, 6225 Converse Ave., Los Angeles, Calif. 90001**

[**] Term: **14 Years**

[21] Appl. No.: **586,745**

[22] Filed: **Sep. 24, 1990**

[52] U.S. Cl. **D19/27**

[58] Field of Search **D19/26, 27, 28, 29, D19/30, 31, 32; 281/21.1, 31, 32, 19.1, 29, 45, 37, 36; 402/80 R, 29, 75, 3; 283/43, 46**

D. 227,619 7/1973 Osher D19/284
D. 292,597 11/1982 Gifford et al. D19/27
4,306,737 12/1981 Errichiello 281/32

Primary Examiner—Wallace R. Burke
Assistant Examiner—Pamela Schmidt
Attorney, Agent, or Firm—George J. Netter

[57] **CLAIM**

The ornamental design for a loose-leaf binder cover.

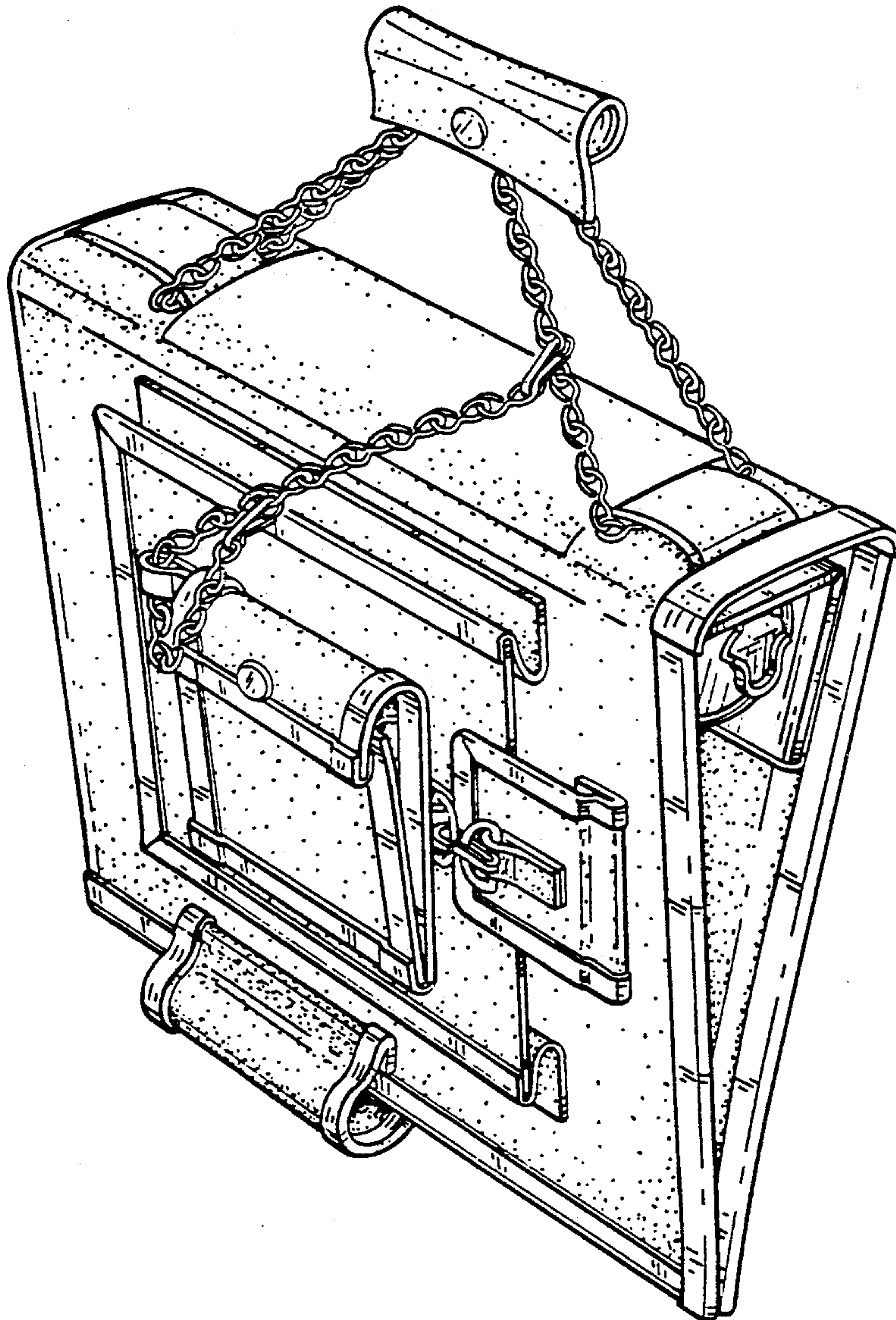
DESCRIPTION

FIG. 1 is a front perspective view of a loose-leaf binder cover showing my new design;
FIG. 2 is a top plan view thereof;
FIG. 3 is a rear elevational view thereof;
FIG. 4 is a bottom plan view thereof;
FIG. 5 is a left end elevational view thereof;
FIG. 6 is a front elevational view thereof; and
FIG. 7 is a right end elevational view thereof.

[56] **References Cited**

U.S. PATENT DOCUMENTS

D. 59,606 11/1921 Skiles D19/27
D. 193,703 10/1962 Price D19/27
D. 212,148 8/1968 Dean D19/27



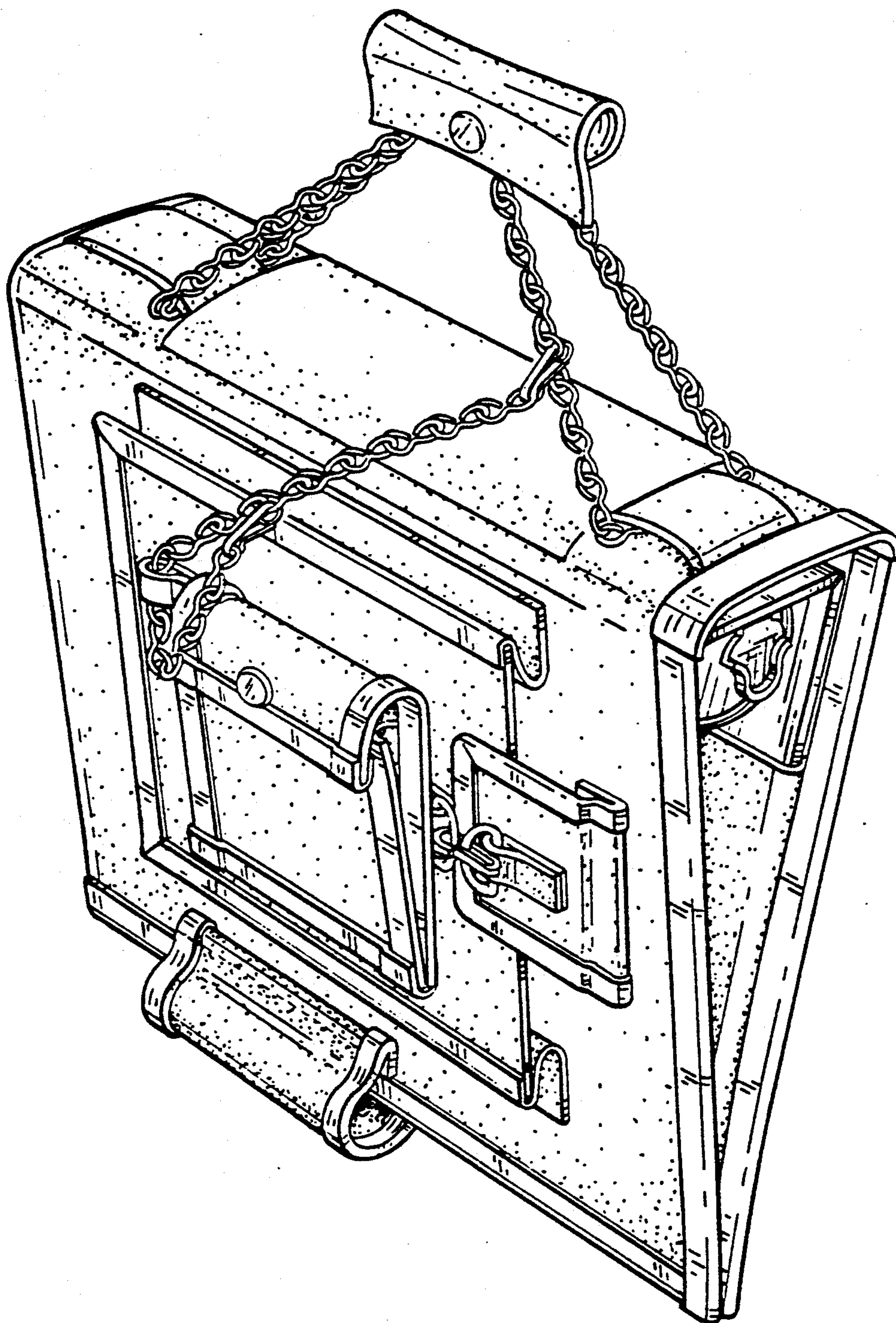


FIG. 1

FIG. 2

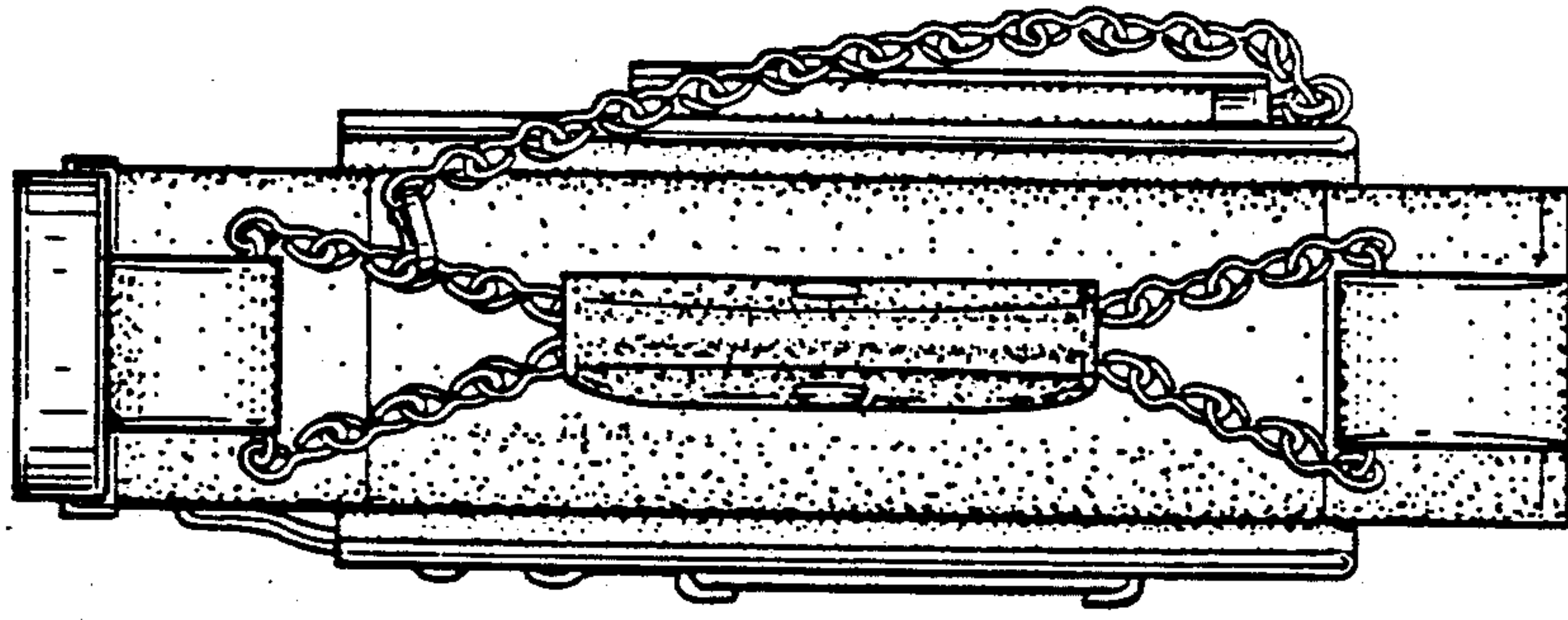


FIG. 3

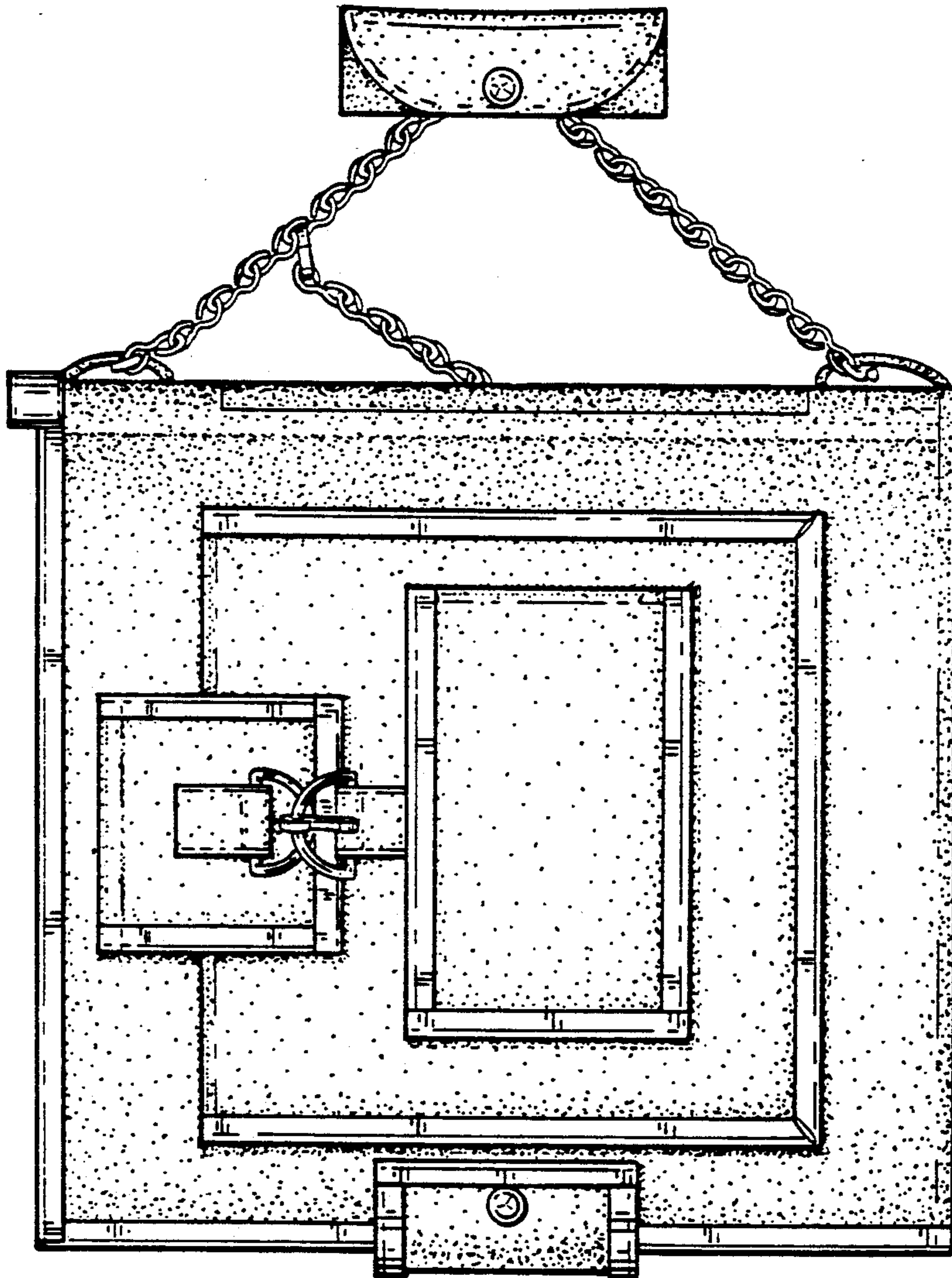
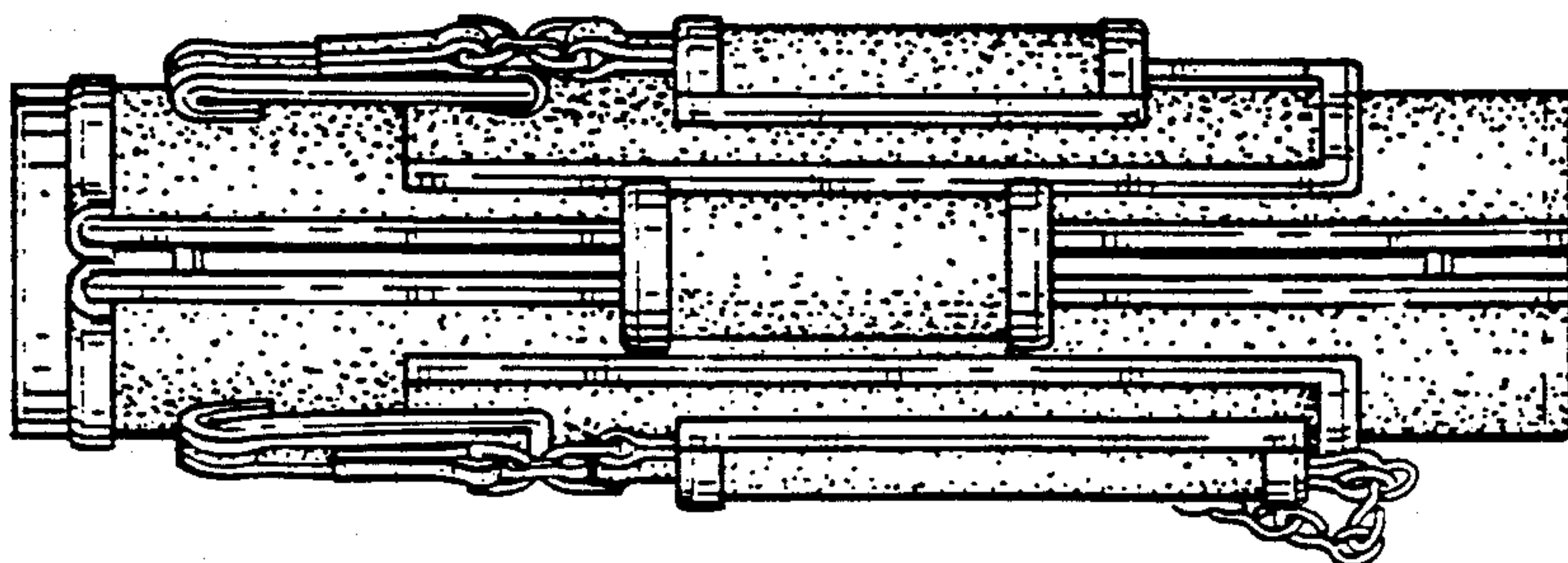


FIG. 4



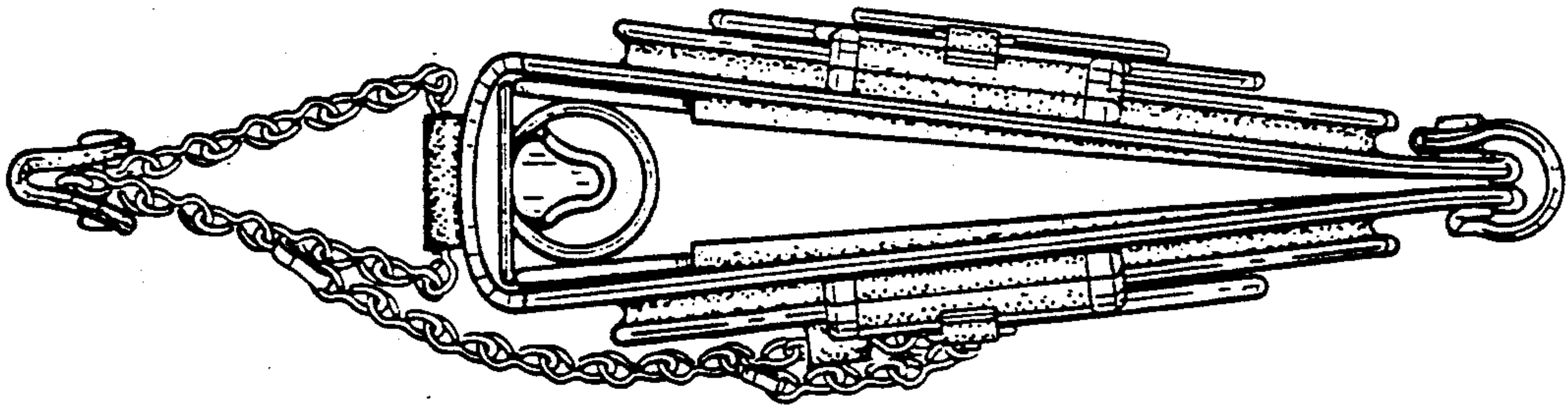


FIG. 7

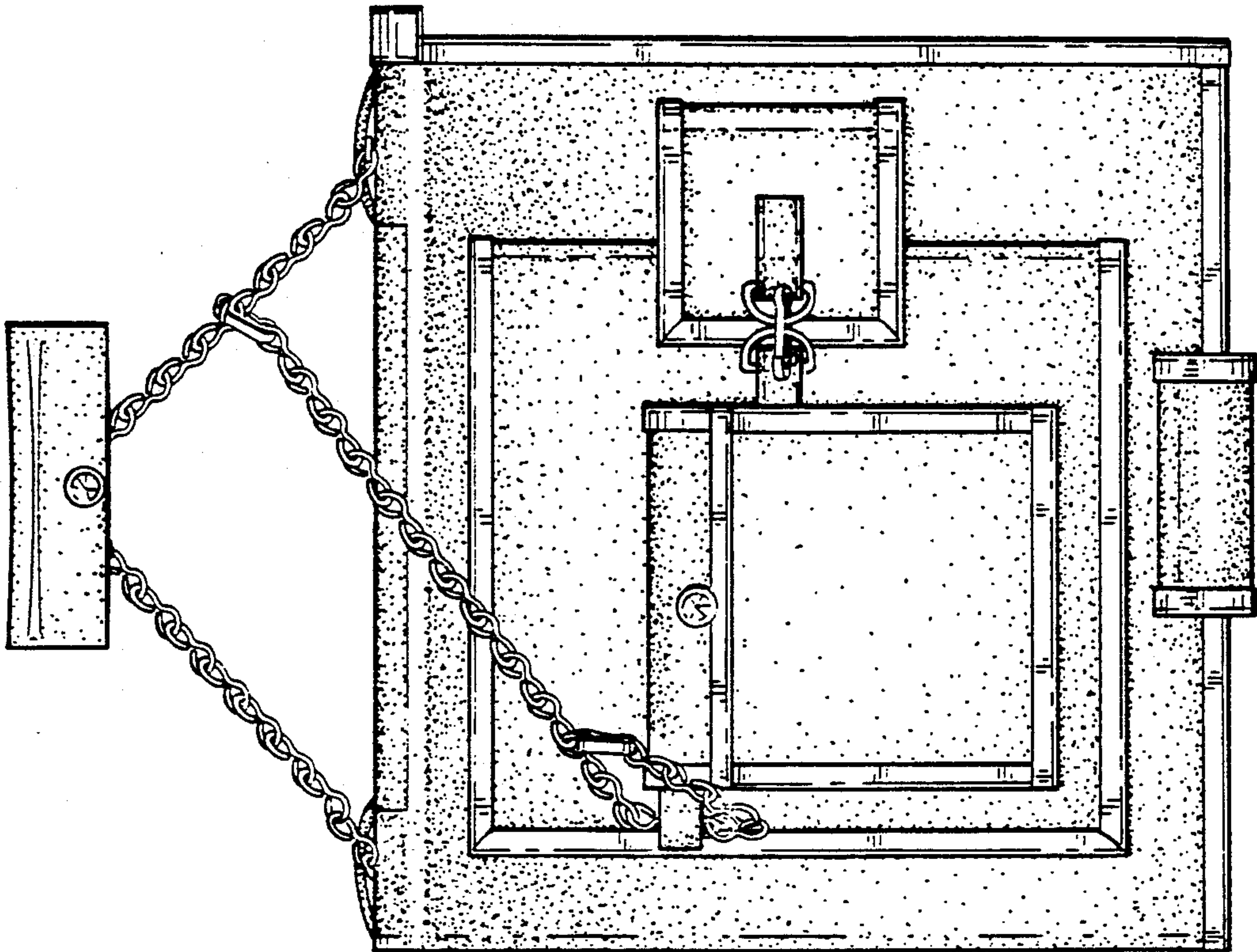


FIG. 6

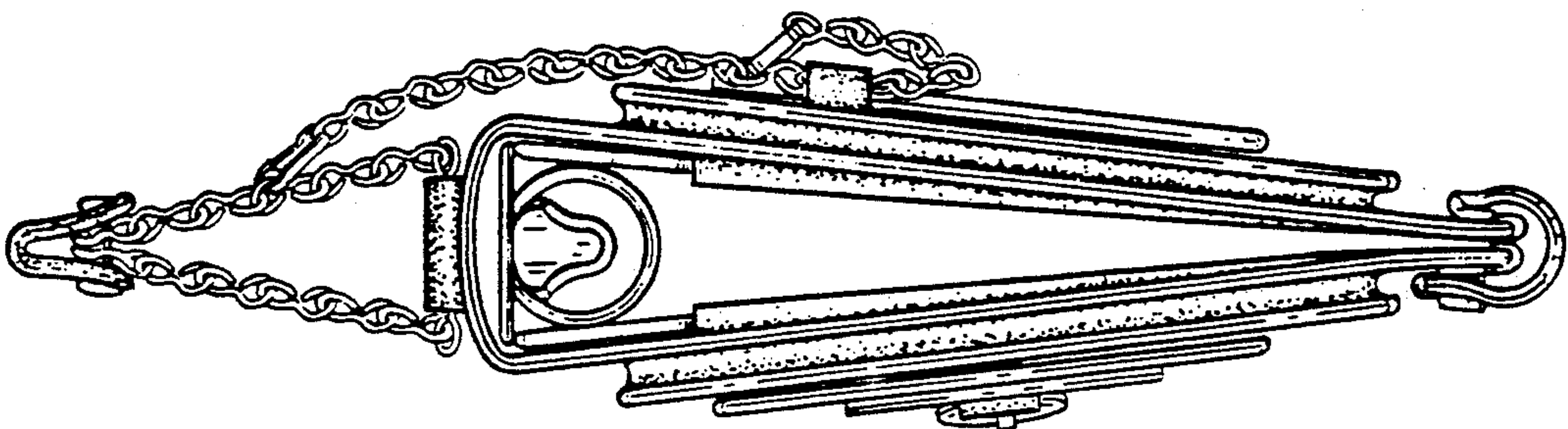


FIG. 5