



US00D323527S

United States Patent [19]

Weir et al.

[11] Patent Number: **Des. 323,527**

[45] Date of Patent: **** Jan. 28, 1992**

[54] **SELF-INKING HAND STAMP**

[75] Inventors: **David A. Weir, Solvang; Richard E. Hewitt, Santa Barbara, both of Calif.**

[73] Assignee: **Porelon, Inc., Cookeville, Tenn.**

[**] Term: **14 Years**

[21] Appl. No.: **463,674**

[22] Filed: **Jan. 9, 1990**

[52] U.S. Cl. **D18/15; D19/65; D19/71**

[58] Field of Search **D18/14, 15, 16-18, D18/22, 99; D19/65, 71, 99, 100; 118/264, 270; 101/109-112, 327, 334, 368, 371-373, 405**

[56] **References Cited**

U.S. PATENT DOCUMENTS

D. 158,186	4/1950	Fleming	D18/15
D. 160,469	10/1950	Brenner	D18/15
D. 232,485	8/1974	Funahashi	D18/15
D. 233,563	11/1974	Funahashi	D18/15
D. 261,006	9/1981	Wall et al.	D18/15

D. 280,733	9/1985	Fujikura	D18/15
D. 280,911	10/1985	Rhoades	D18/15
D. 283,033	3/1986	Berg	D18/15
2,920,559	1/1960	Becker	101/405
4,805,529	2/1989	Becker	101/334
4,852,489	8/1989	Wall et al.	101/334
4,970,954	11/1990	Weir et al.	101/334

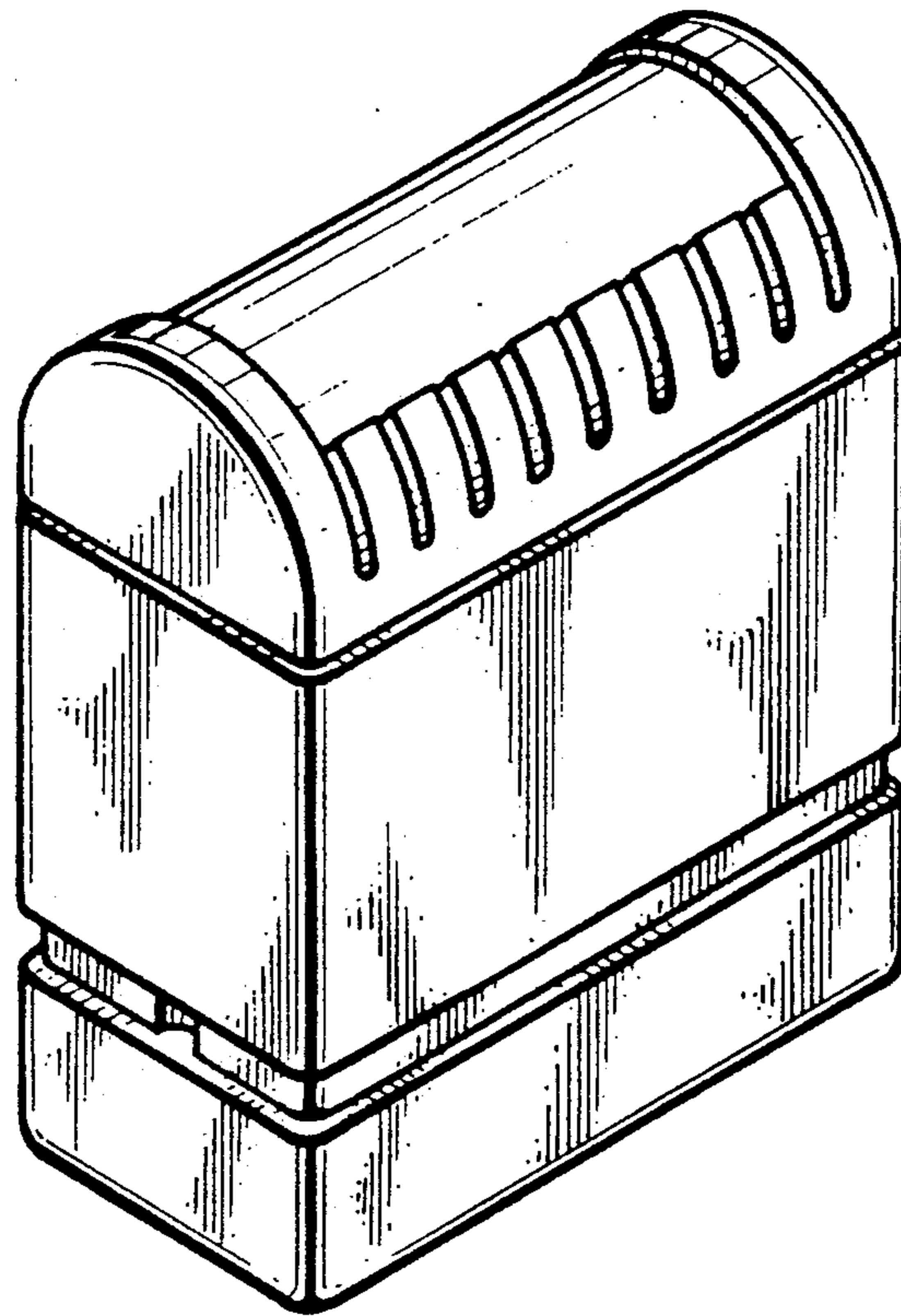
Primary Examiner—Bruce W. Dunkins
Assistant Examiner—Martha Thompson
Attorney, Agent, or Firm—Foley & Lardner

[57] **CLAIM**

The ornamental design for a self-inking hand stamp, as shown and described.

DESCRIPTION

FIG. 1 is a top, left front perspective view of a self-inking hand stamp showing our new design; FIG. 2 is a front elevational view; FIG. 3 is a left side elevational view, the right side being a mirror image thereof; FIG. 4 is a rear elevational view; FIG. 5 is a top plan view; and FIG. 6 is a bottom plan view thereof.



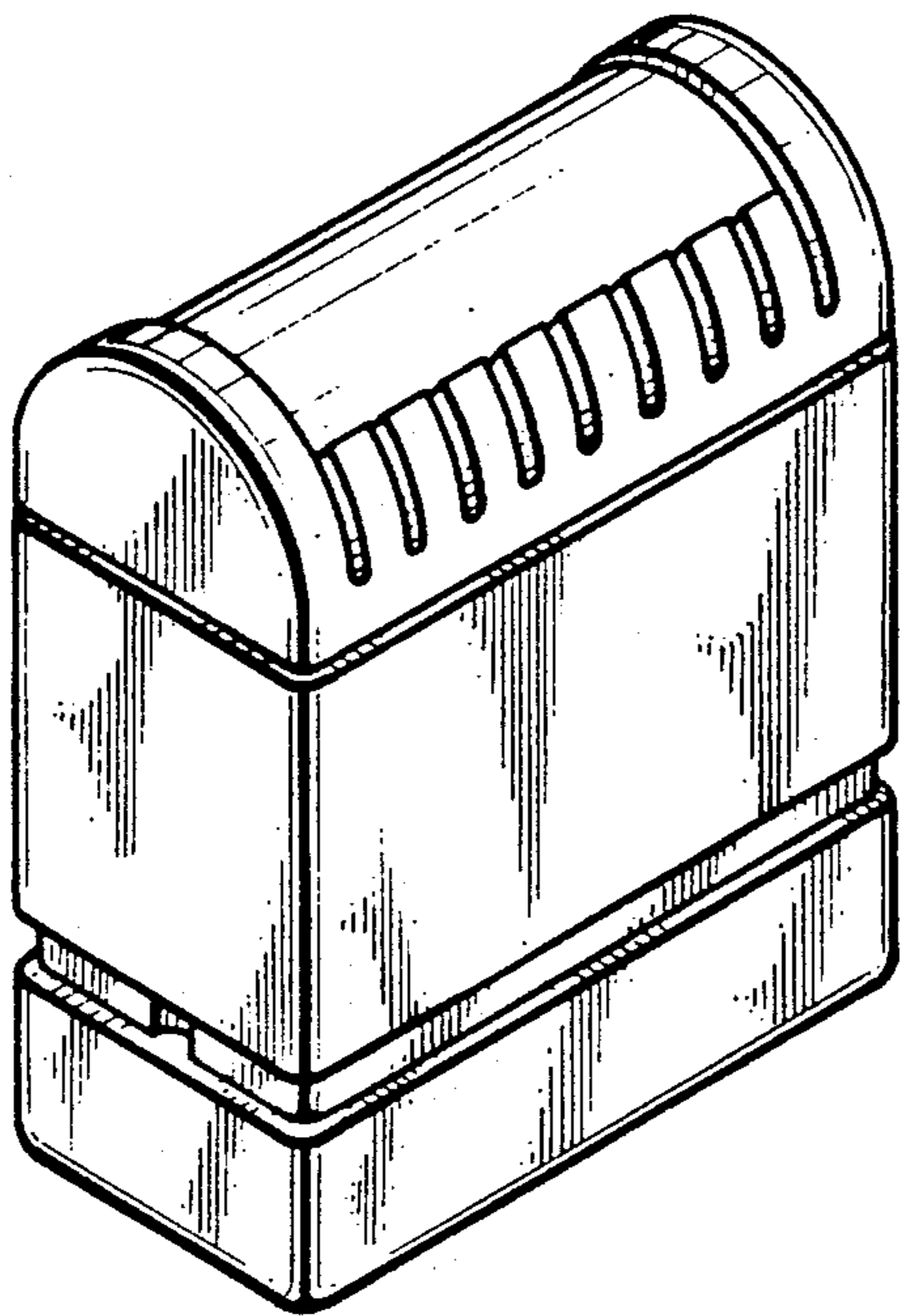


Fig. 1.

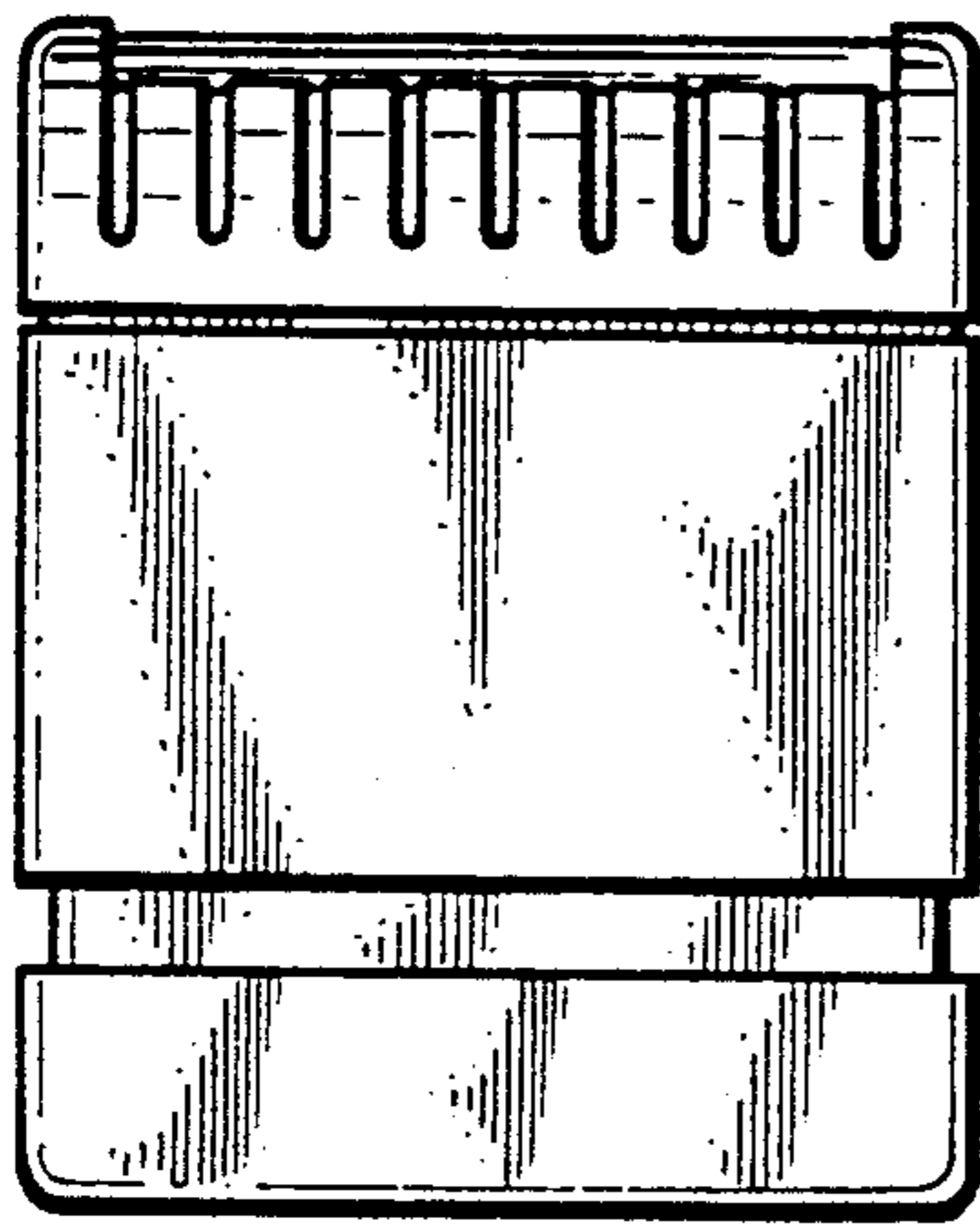


Fig. 2.

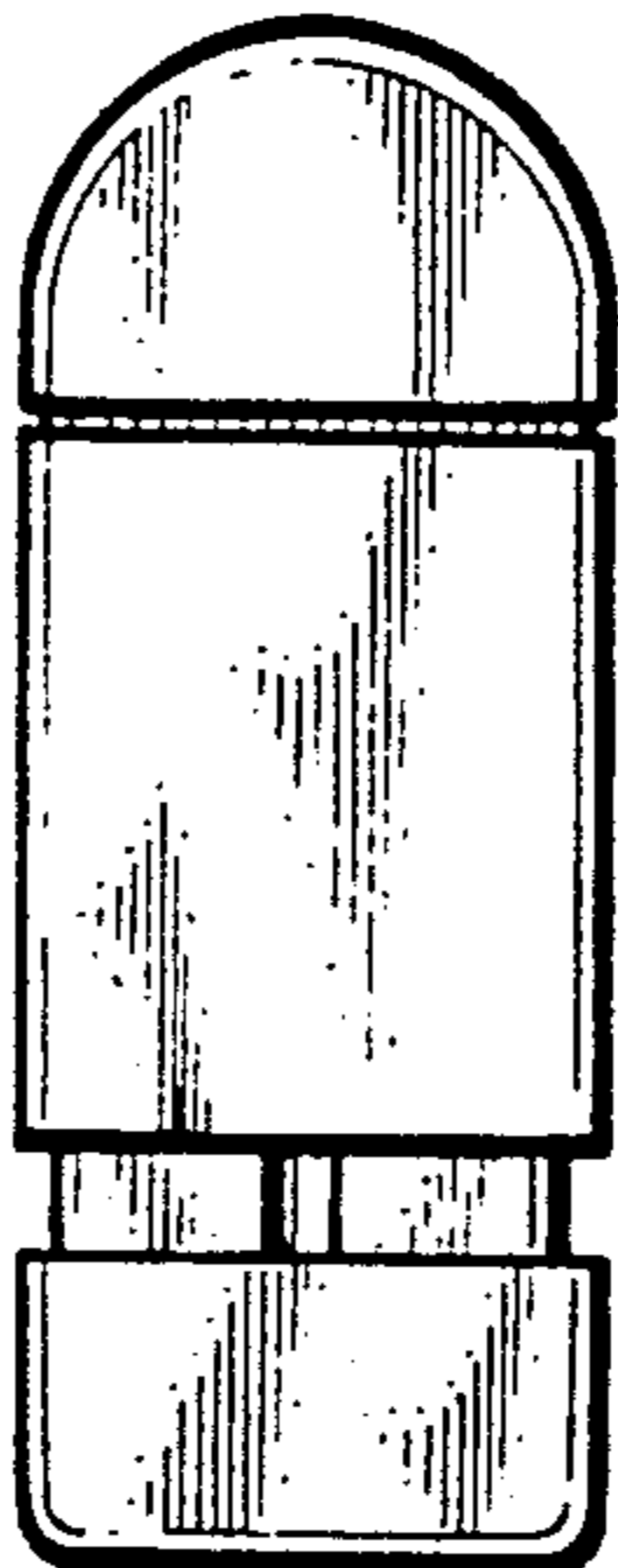


Fig. 3.

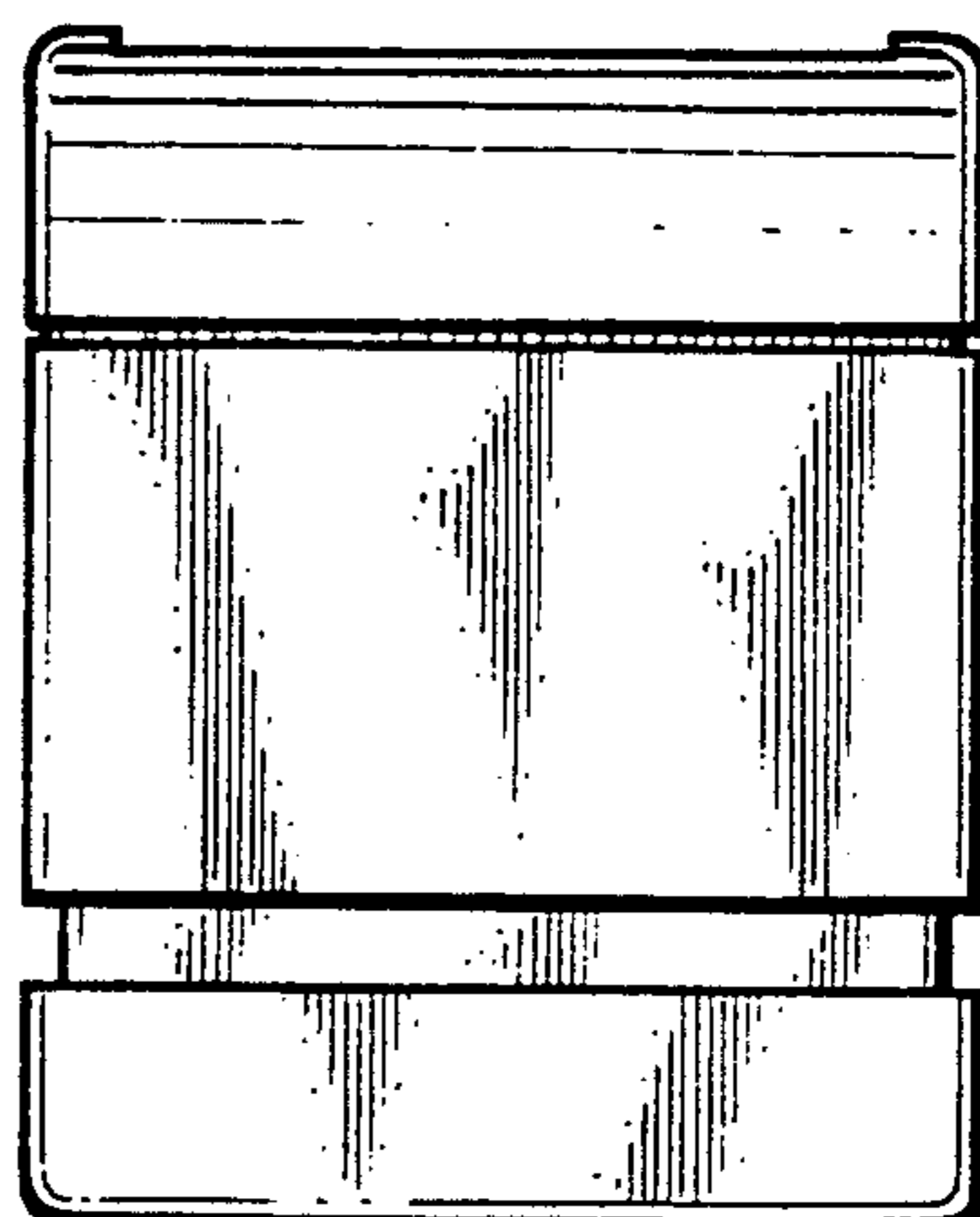


Fig. 4.

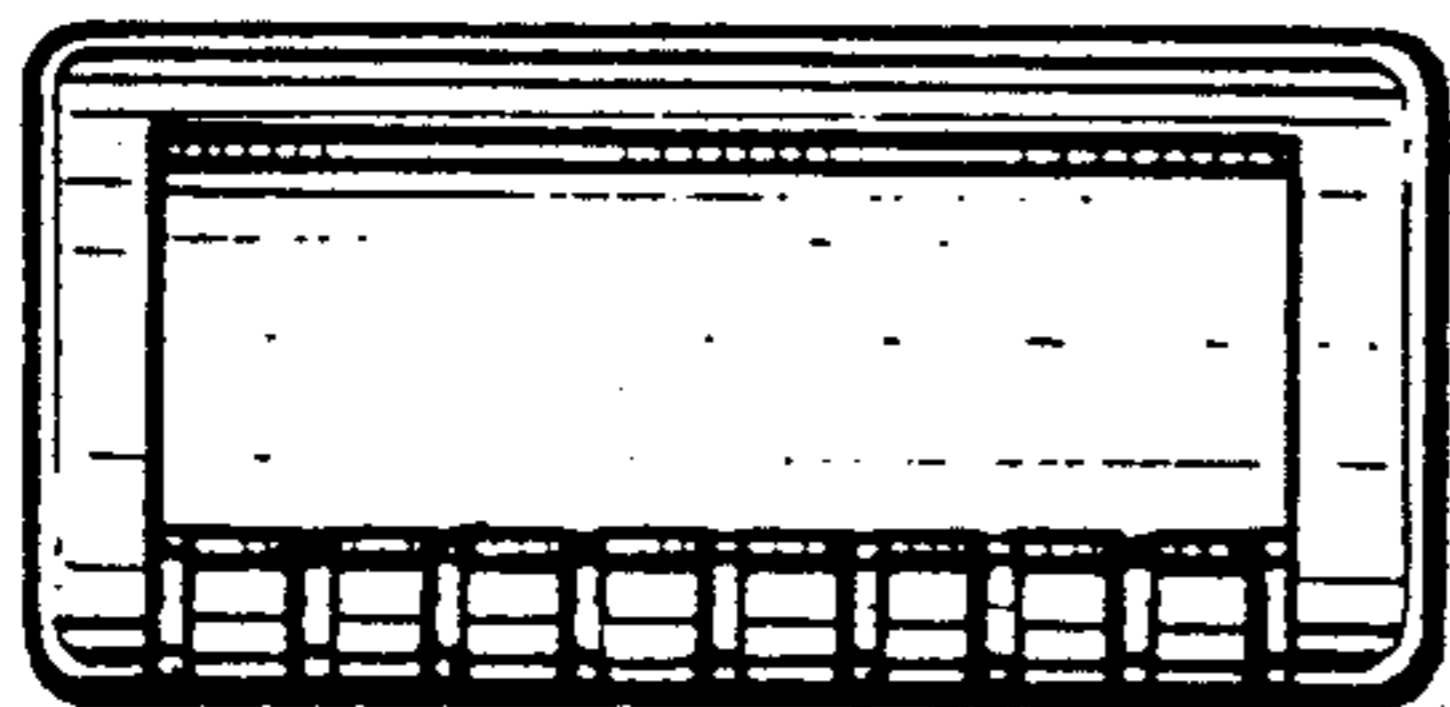


Fig. 5.



Fig. 6.