



US00D323524S

United States Patent [19]

[11] Patent Number: **Des. 323,524**

Boyer et al.

[45] Date of Patent: **** Jan. 28, 1992**

[54] APPARATUS FOR PROCESSING PHOTSENSITIVE MATERIAL

[75] Inventors: **Jon F. Boyer**, Earleville, Md.; **Lee C. Fischer**, Rochester, N.Y.; **Douglas J. Hohlbein**, Central Islip, N.Y.; **Anthony P. Montalbano**, Bayville, N.Y.; **Christopher P. Montalbano**, Great Neck, N.Y.; **John G. Van Remoortel**, Newark, Del.; **Joel L. Vanover**, Elkton, Md.

[73] Assignee: **E. I. du Pont de Nemours and Company**, Wilmington, Del.

[**] Term: **14 Years**

[21] Appl. No.: **421,415**

[22] Filed: **Oct. 13, 1989**

[52] U.S. Cl. **D16/246**

[58] Field of Search **D16/246, 250; D18/43; 354/297, 315, 331**

[56] References Cited

U.S. PATENT DOCUMENTS

D. 101,765	11/1936	Buck	D16/247
D. 200,449	2/1965	Brave	.	
D. 204,833	5/1966	Robbins et al.	.	
D. 232,192	7/1974	Vigna	D16/246
D. 234,627	3/1975	Vigna	.	
D. 264,502	5/1982	Müller et al.	D16/247
D. 272,448	1/1984	Schlagheck et al.	D16/247
D. 273,872	5/1984	Schlagheck et al.	D16/247

D. 276,348	11/1984	Thebault	D16/246
D. 294,371	2/1988	Phleps	D16/247
D. 312,690	12/1990	Reibl	D16/247
4,533,225	8/1985	Shiga	354/322
4,629,303	12/1986	Vermarien	354/320
4,641,940	2/1987	Müller et al.	354/322
4,734,728	3/1988	Müller	354/324
4,800,408	1/1989	Yamada	354/322
4,806,962	2/1989	Uchida et al.	354/324
4,814,809	3/1989	De Prijcker	354/319
4,829,330	5/1989	Yamada et al.	354/322

Primary Examiner—Bernard Ansher
Assistant Examiner—Dominic Simone
Attorney, Agent, or Firm—John E. Griffiths

[57] CLAIM

The ornamental design for an apparatus for processing photosensitive material, as shown and described.

DESCRIPTION

FIG. 1 is a top plan view of an apparatus for processing photosensitive material embodying our new design; FIG. 2 is a bottom plan view thereof; FIG. 3 is a right side elevational view thereof; FIG. 4 is a left side elevational view thereof; FIG. 5 is a front elevational view thereof; FIG. 6 is a rear elevational view thereof; FIG. 7 is a top plan view thereof, with a developer cartridge, a fixer cartridge and a wash cartridge removed; FIG. 8 is a right side elevational view of FIG. 7; FIG. 9 is a left side elevational view of FIG. 7; and FIG. 10 is a front elevational view of FIG. 7.

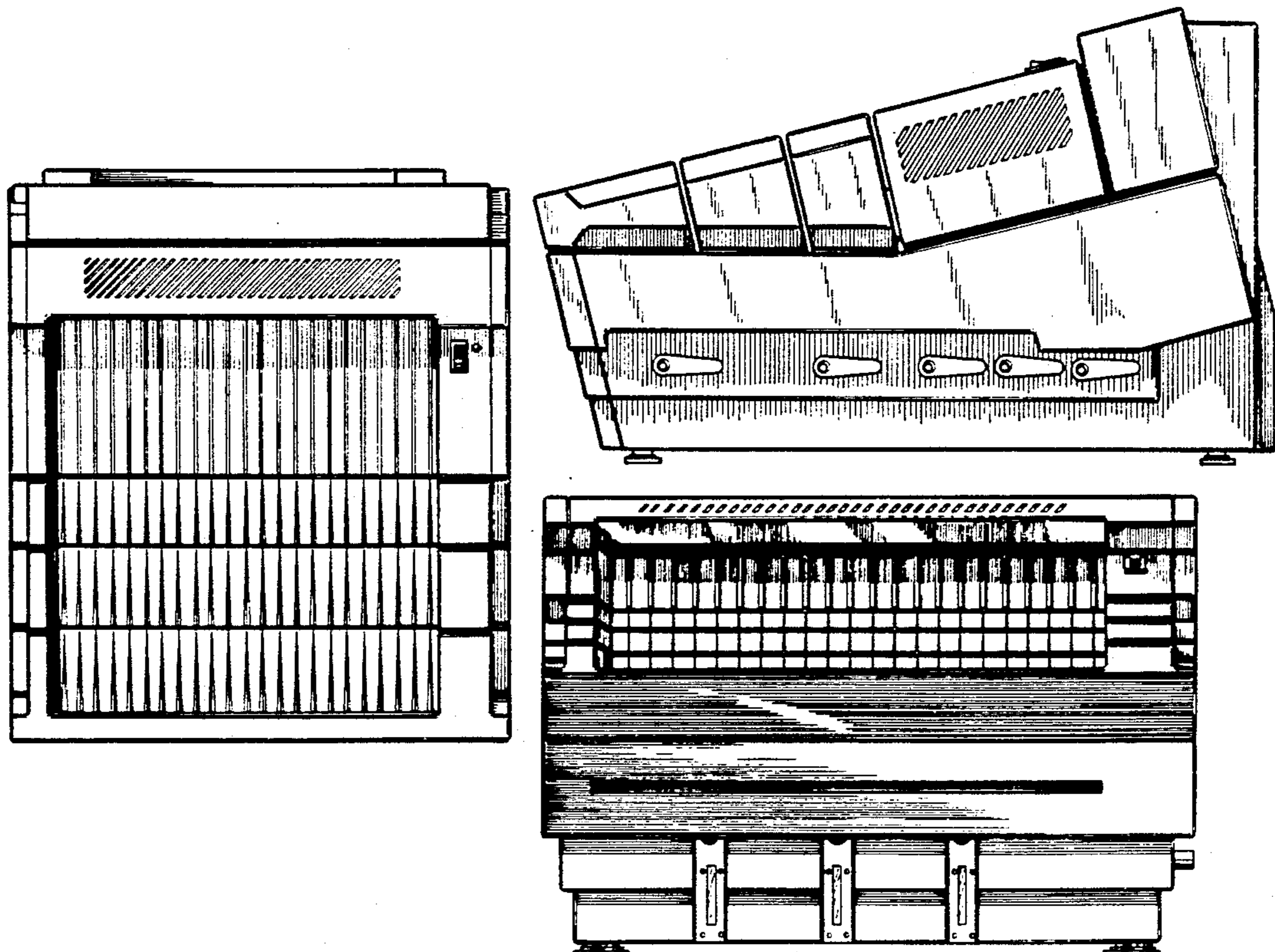


Fig. 1

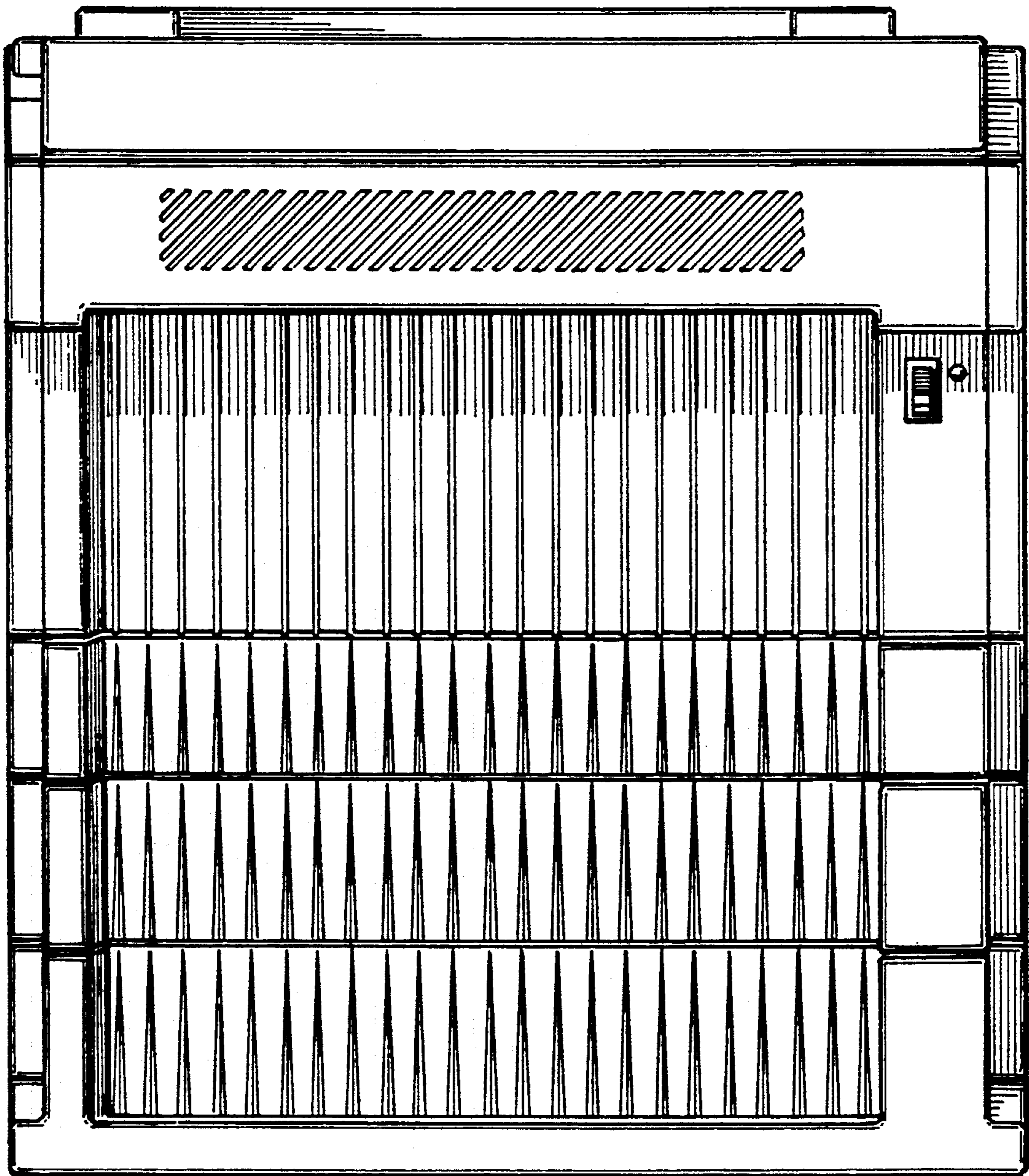
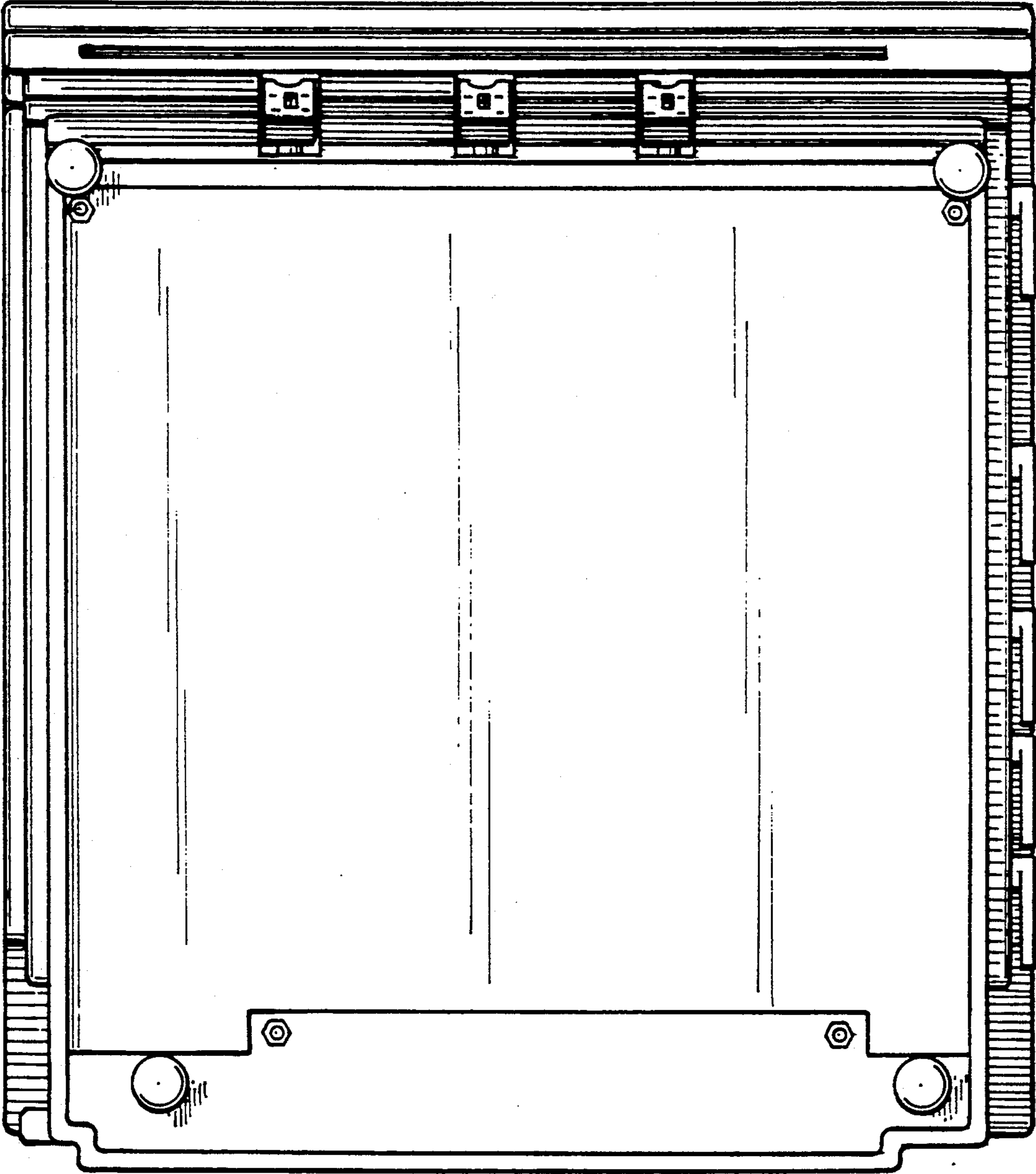


Fig. 2



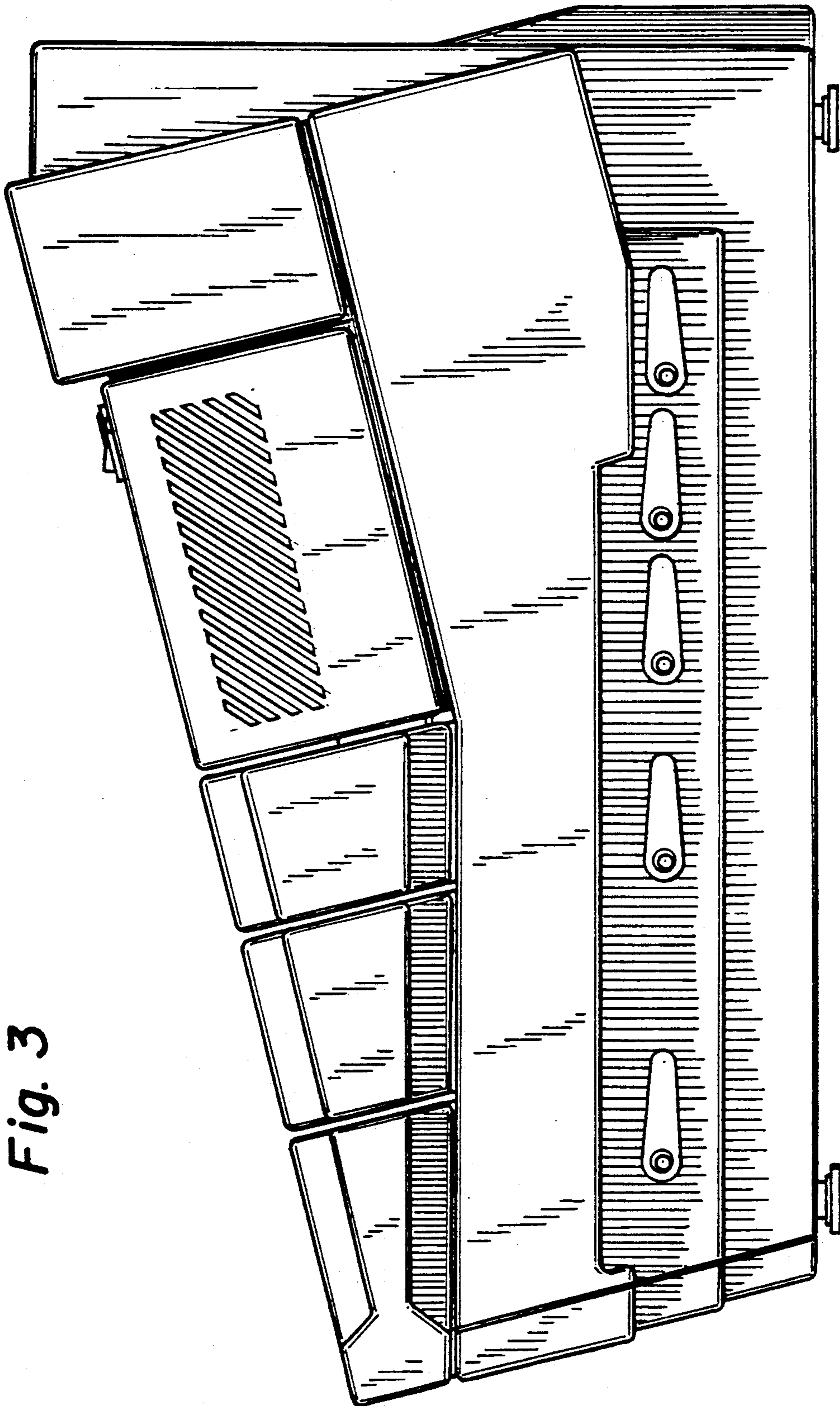


Fig. 3

Fig. 4

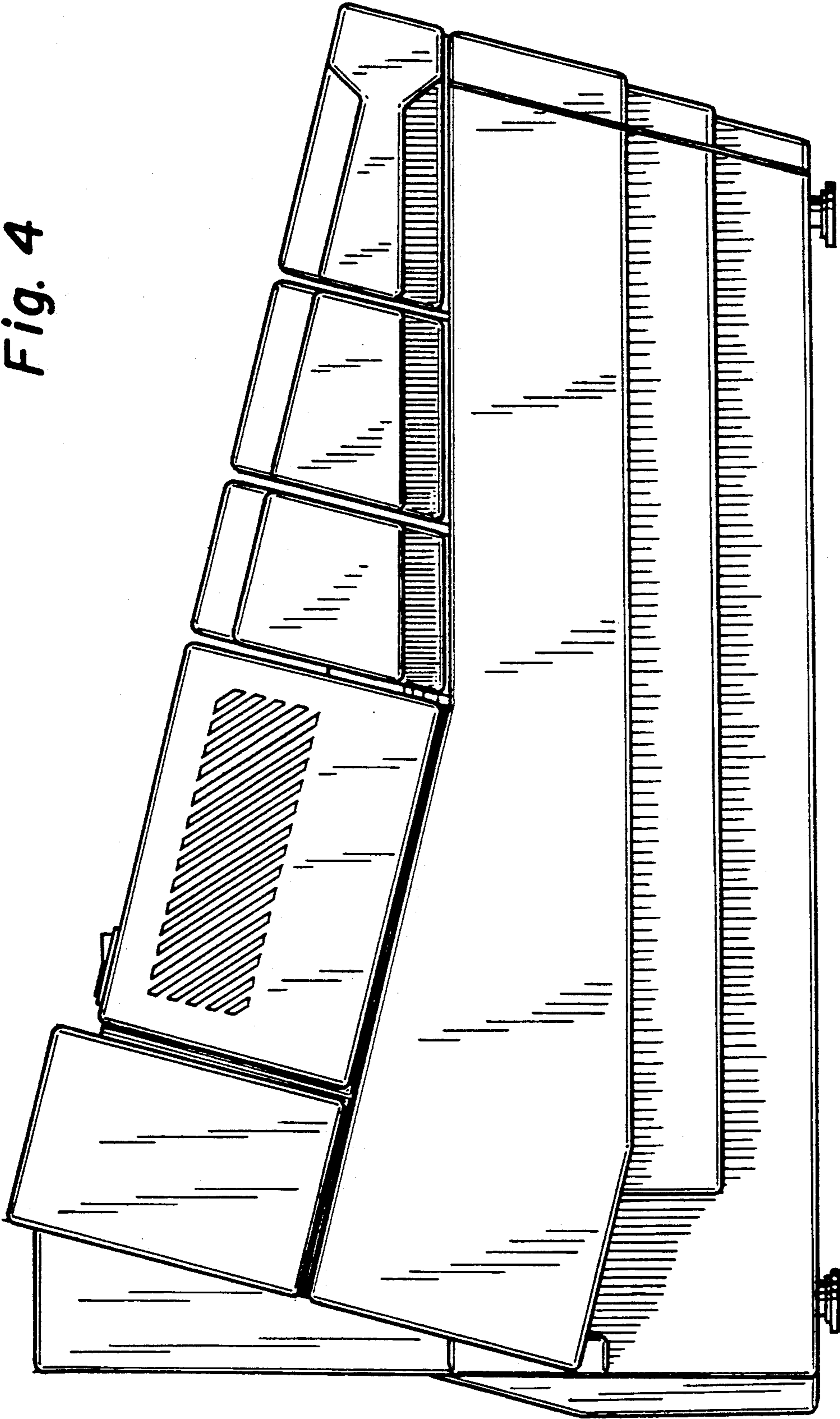


Fig. 5

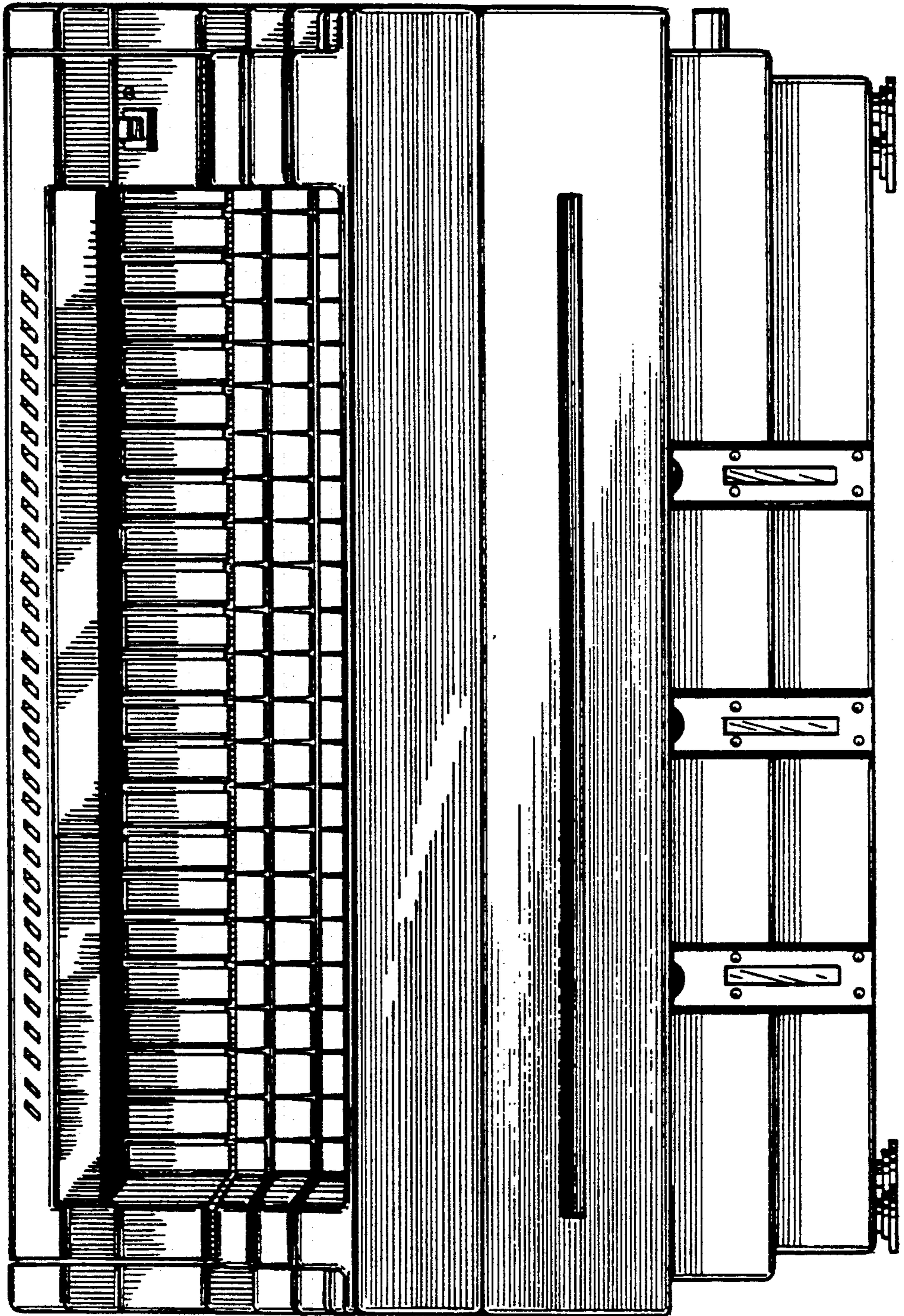


Fig. 6

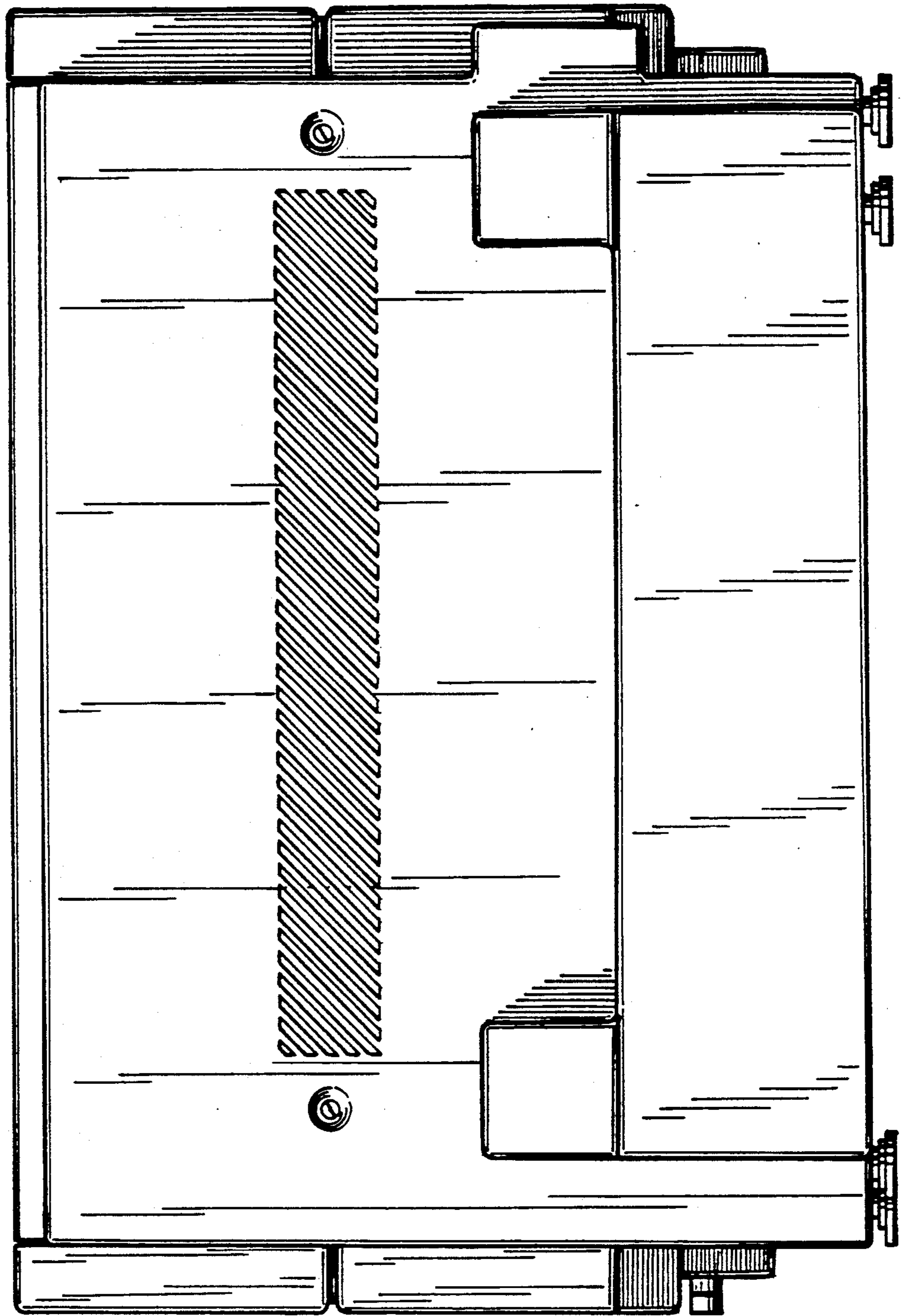
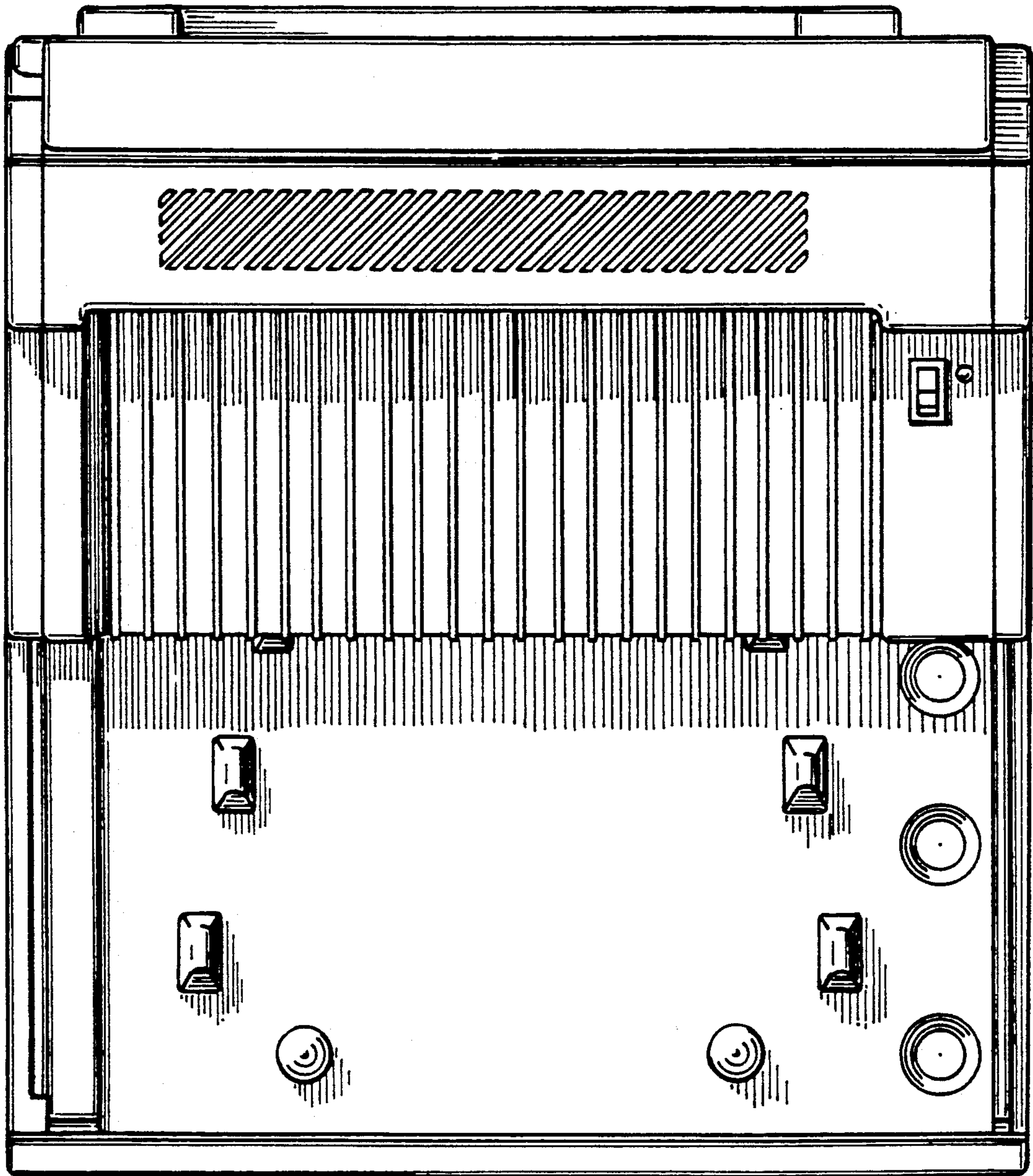


Fig. 7



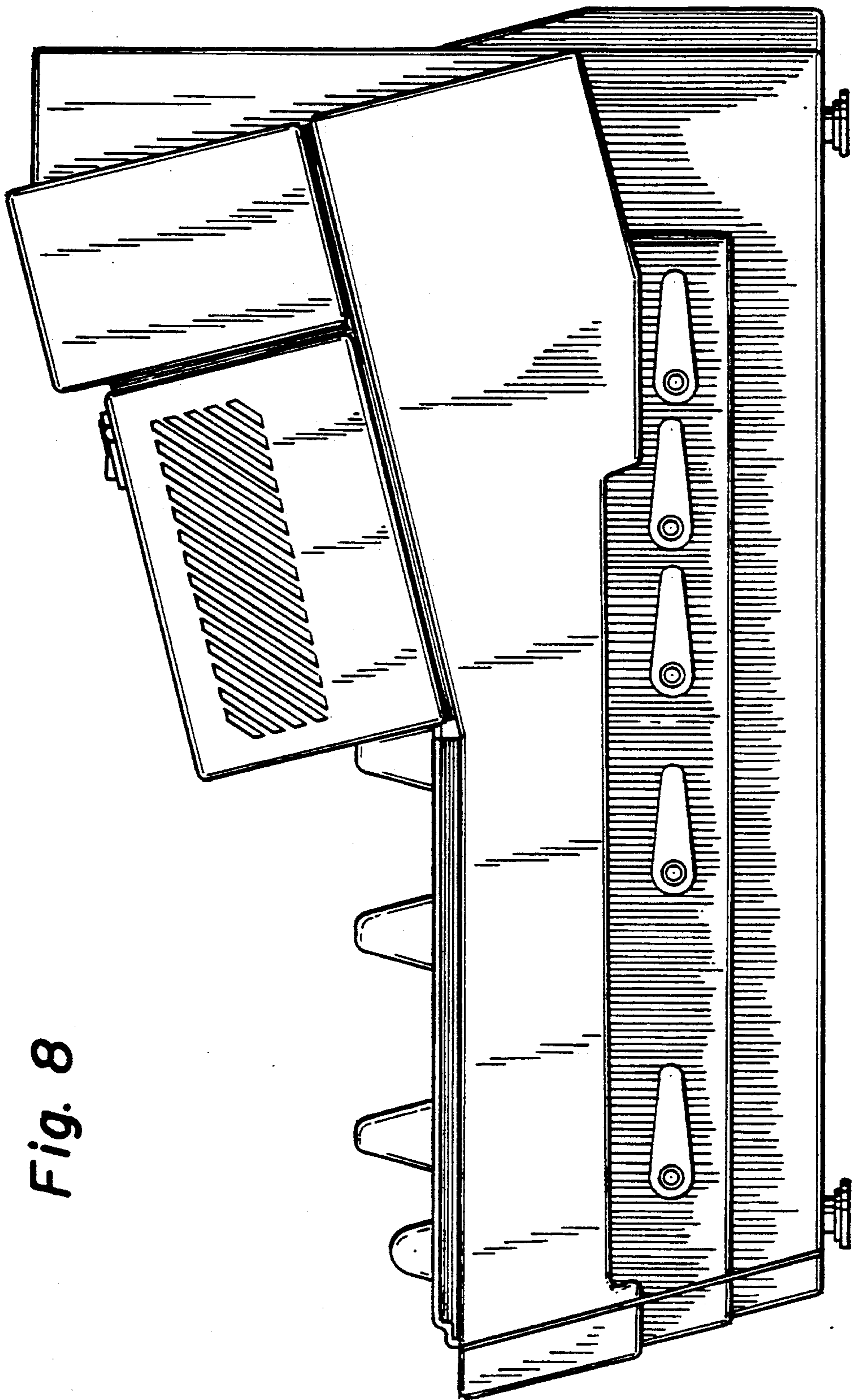


Fig. 8

Fig. 9

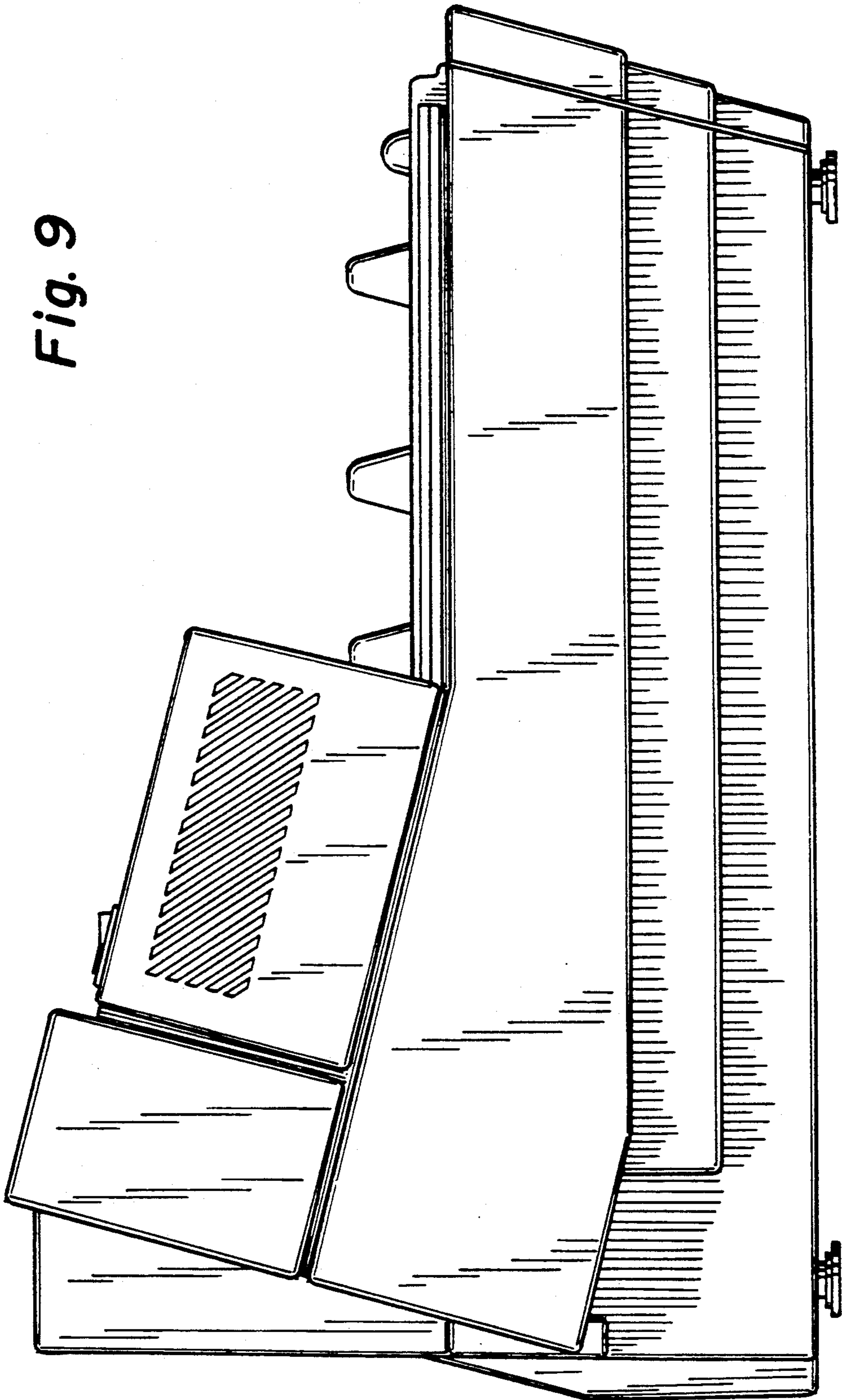


Fig. 10

