



US00D323521S

United States Patent [19]

[11] Patent Number: **Des. 323,521**

Obara

[45] Date of Patent: **** Jan. 28, 1992**

[54] CAMERA

D. 306,307	2/1990	Suyama et al.	D16/209
D. 310,841	9/1990	Inoue	D16/209
4,811,039	3/1989	Maeno et al.	354/288

[75] Inventor: **Hiroshi Obara, Tokyo, Japan**

[73] Assignee: **Ricoh Company, Ltd., Tokyo, Japan**

[**] Term: **14 Years**

[21] Appl. No.: **383,580**

[22] Filed: **Jul. 24, 1989**

[30] **Foreign Application Priority Data**

Jan. 25, 1989 [JP] Japan 1-002142

[52] U.S. Cl. **D16/209**

[58] Field of Search D16/200, 208, 209, 211,
D16/212, 216, 217, 218; 354/126, 127.11,
149.11, 202, 288

[56] **References Cited**

U.S. PATENT DOCUMENTS

D. 290,464	6/1967	Kato	D16/209
D. 291,090	7/1987	Ago et al.	D16/209
D. 296,333	6/1988	Inoue	D16/209

OTHER PUBLICATIONS

Popular Photography, Jun. 1985, p. 66 (Ricoh AF-70).
Modern Photography, Jan. 1988, p. 15 (Olympus Infinity Jr. Camera).

Primary Examiner—Bernard Ansher
Assistant Examiner—Adir Aronovich
Attorney, Agent, or Firm—Oblon, Spivak, McClelland,
Maier & Neustadt

[57] **CLAIM**

The ornamental design for a camera, as shown and described.

DESCRIPTION

FIG. 1 is a top, front and left side perspective view of a camera showing my new design; and FIG. 2 is a bottom, rear and right side perspective view thereof.

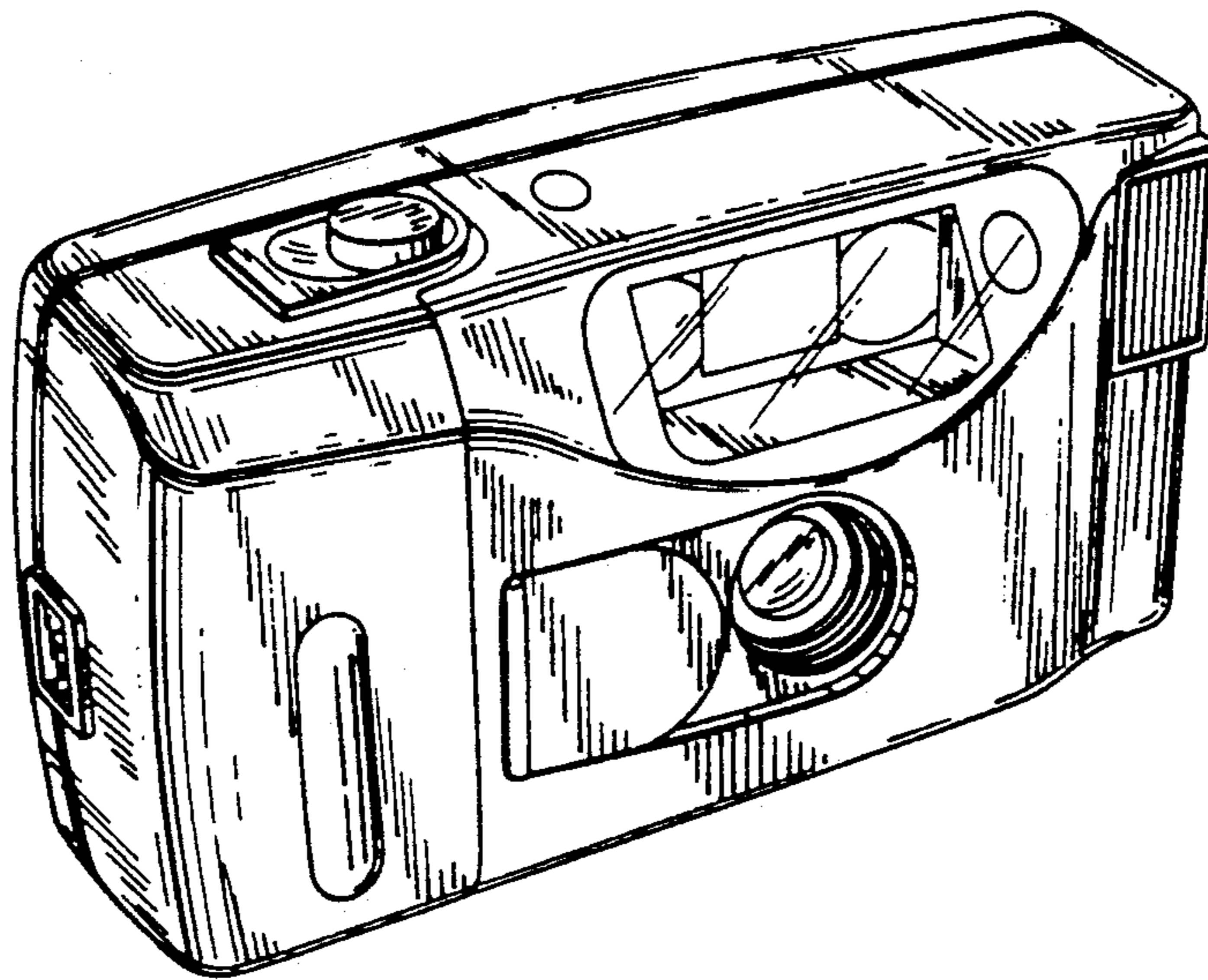


FIG. 1

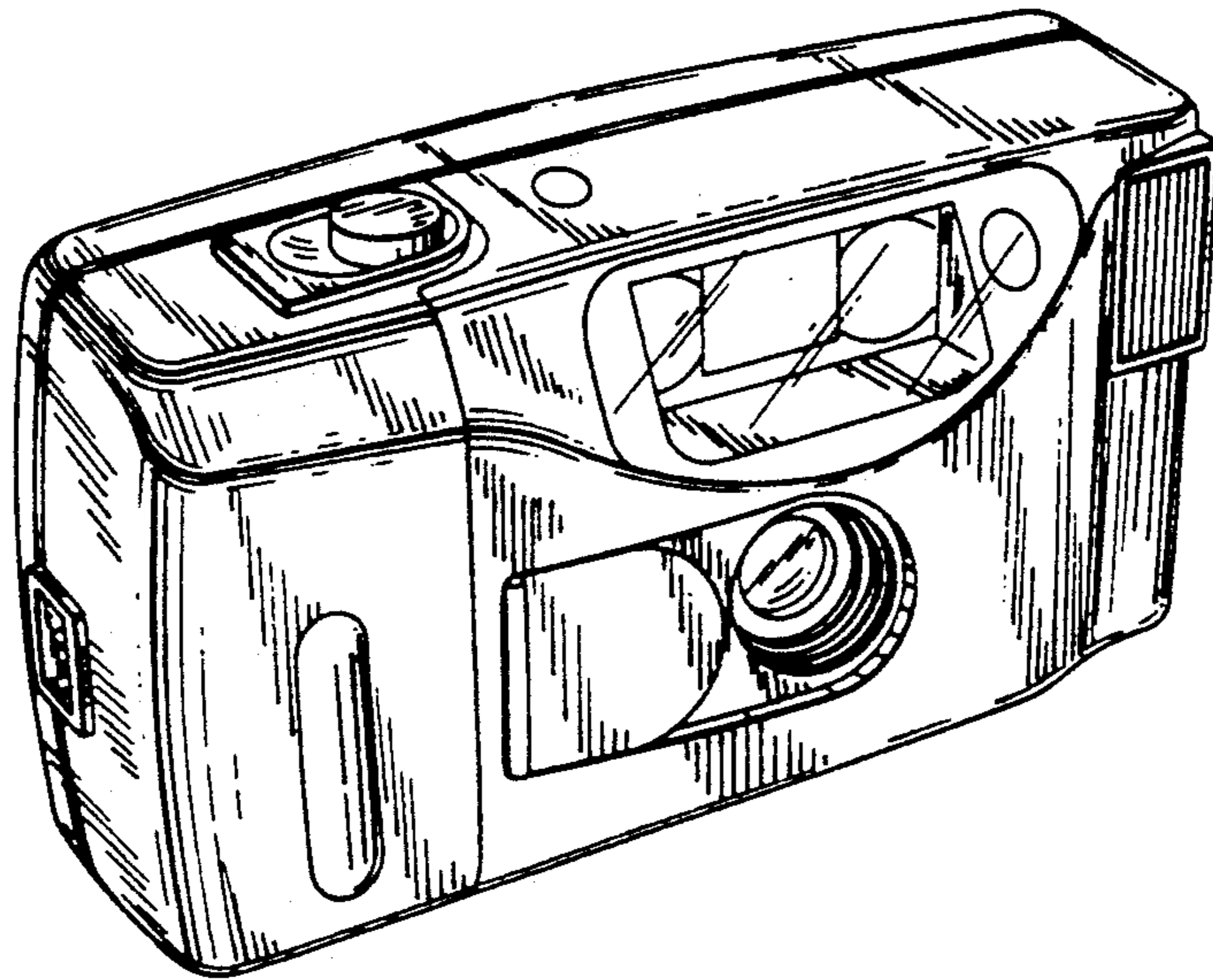


FIG. 2

