



US00D323518S

# United States Patent [19]

[11] Patent Number: **Des. 323,518**

Ko

[45] Date of Patent: **\*\* Jan. 28, 1992**

[54] CAMERA

[75] Inventor: **Eun-hi Ko, Seoul, Rep. of Korea**

[73] Assignee: **Samsung Aerospace Industries, Ltd.,  
Rep. of Korea**

[\*\*] Term: **14 Years**

[21] Appl. No.: **363,949**

[22] Filed: **Jun. 9, 1989**

[30] **Foreign Application Priority Data**

Dec. 14, 1988 [KR] Rep. of Korea ..... 88-16966

[52] U.S. Cl. .... **D16/200; D16/209;  
D16/218**

[58] Field of Search ..... **D16/200, 204, 208, 209,  
D16/218; 354/126, 149.11, 219, 288, 127.11, 82**

[56] **References Cited**

**U.S. PATENT DOCUMENTS**

D. 185,995 8/1959 Crapsey ..... D16/218

D. 271,880 12/1983 Agou et al. .... D16/218

D. 289,176 4/1987 Yoshida et al. .... D16/218

D. 296,214 6/1988 Suyama et al. .... D16/204

D. 310,382 9/1990 Wingate et al. .... D16/200 X

D. 313,423 1/1991 Onuma et al. .... D16/218 X

4,857,948 8/1989 Akabane et al. .... 354/82

*Primary Examiner*—Bernard Ansher  
*Assistant Examiner*—Dominic Simone  
*Attorney, Agent, or Firm*—Leydig, Voit & Mayer

[57] **CLAIM**

The ornamental design for a camera, as shown and described.

**DESCRIPTION**

FIG. 1 is a perspective view of a camera showing my new design;

FIG. 2 is a top plan view thereof;

FIG. 3 is a front elevational view thereof;

FIG. 4 is a bottom plan view thereof;

FIG. 5 is a rear elevational view thereof;

FIG. 6 is a left side elevational view thereof; and

FIG. 7 is a right side elevational view thereof.

The references are cited as cumulative art.

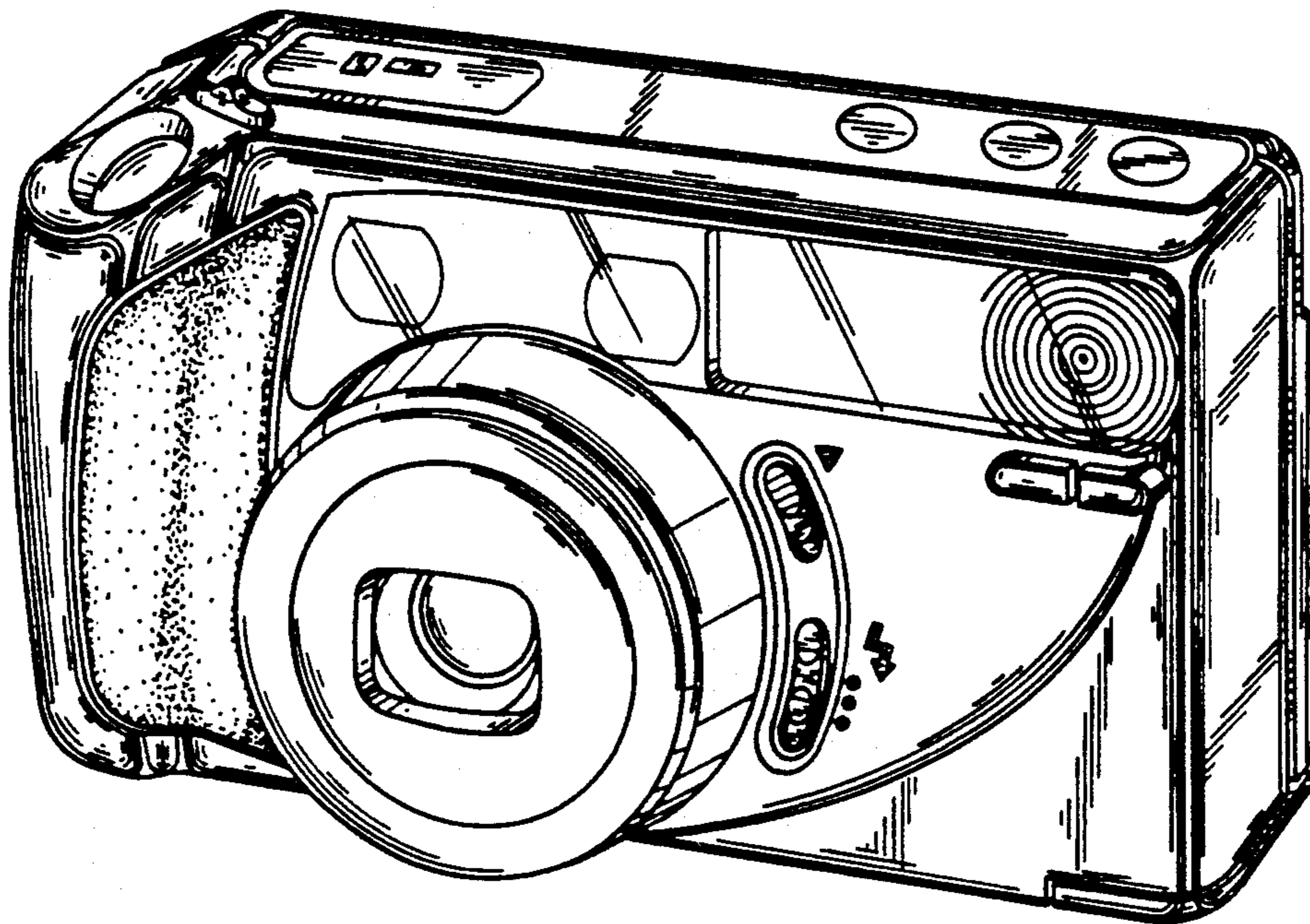


FIG. 1

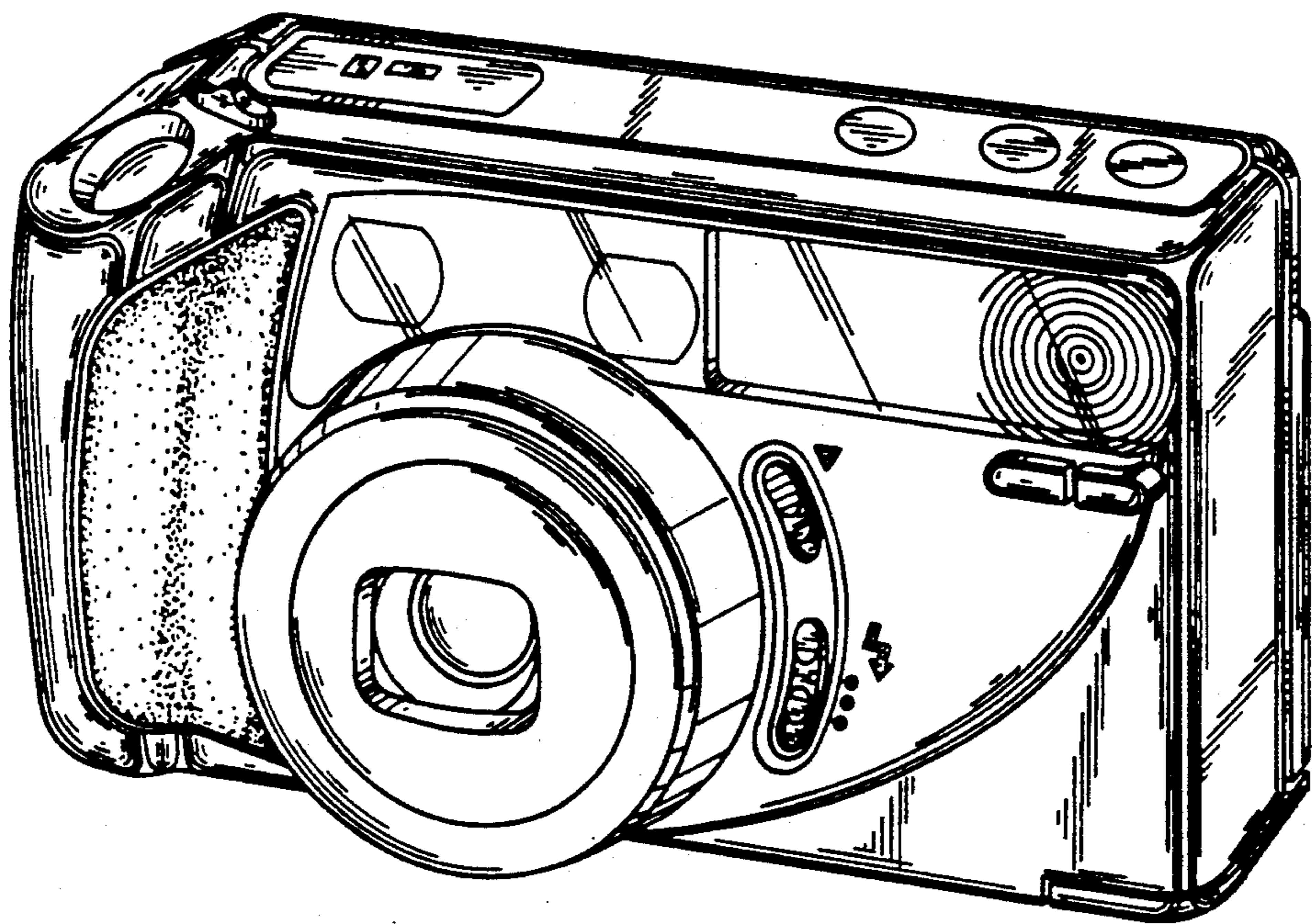


FIG. 2

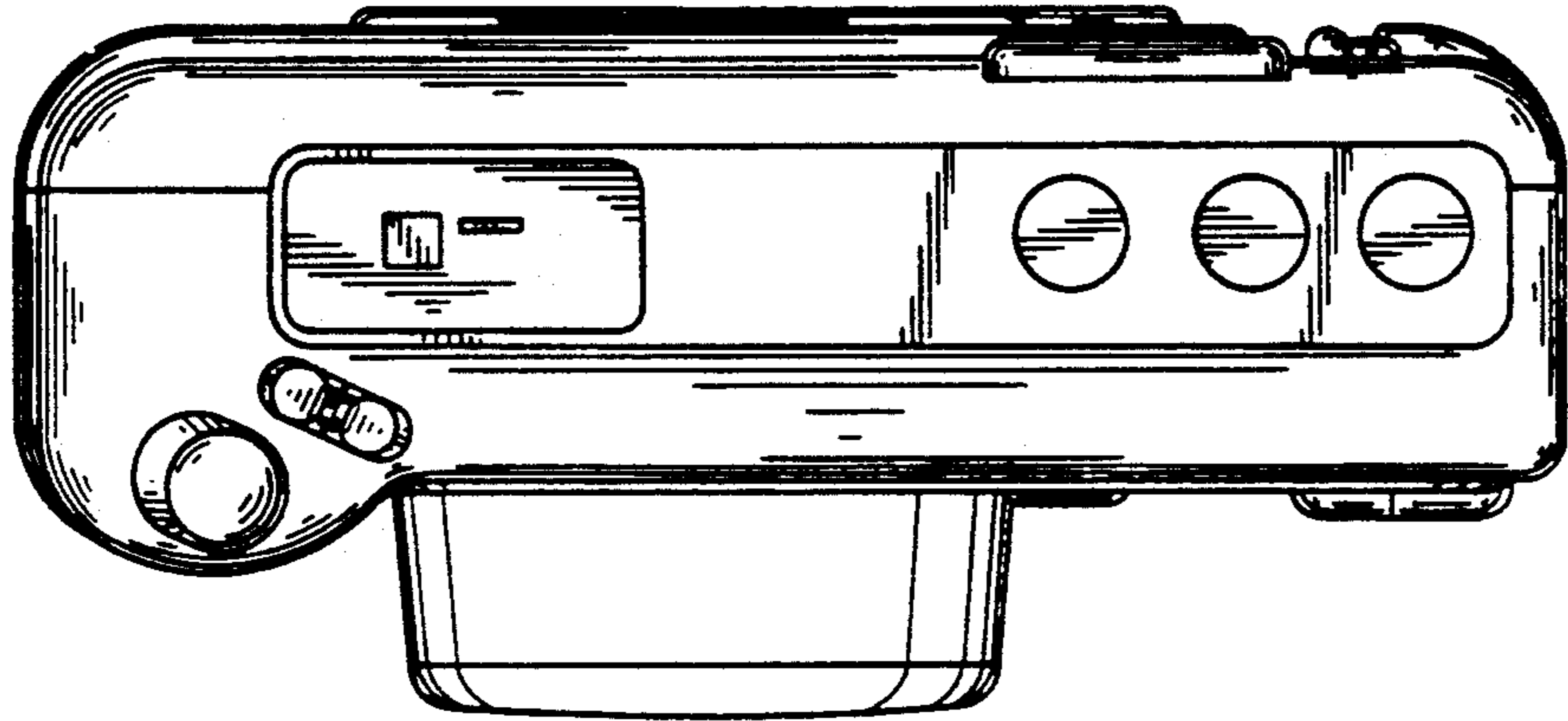


FIG. 3

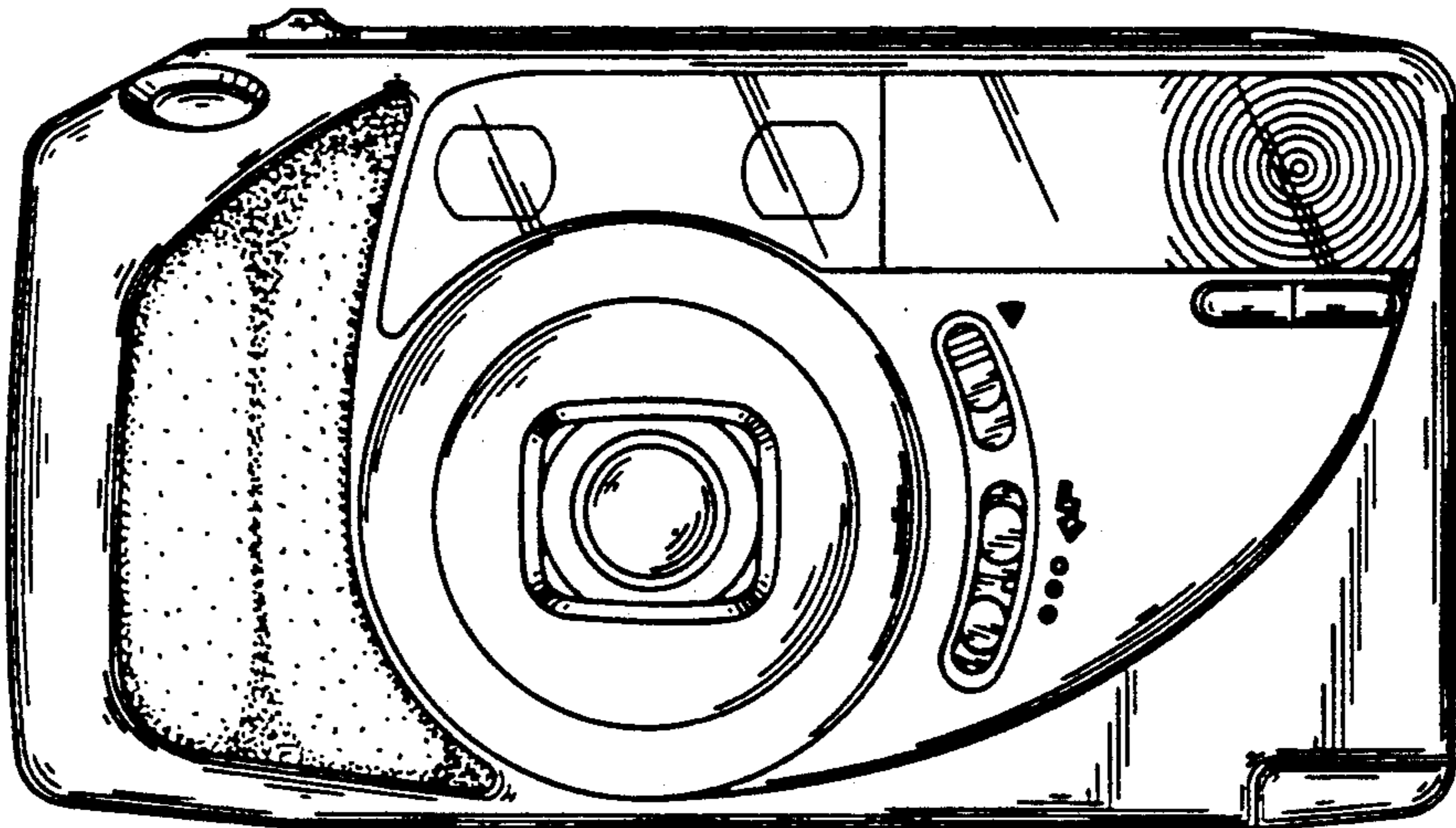


FIG. 4

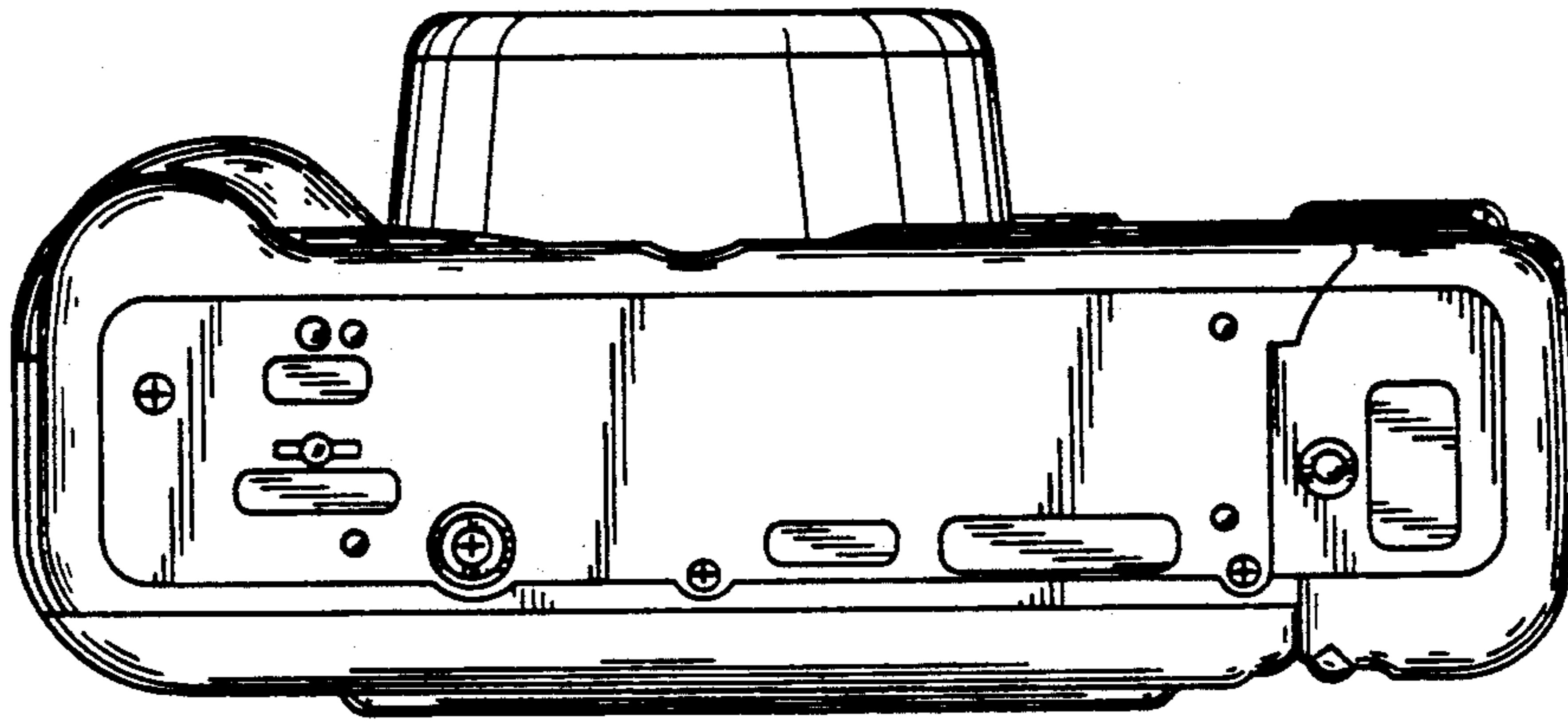


FIG. 5

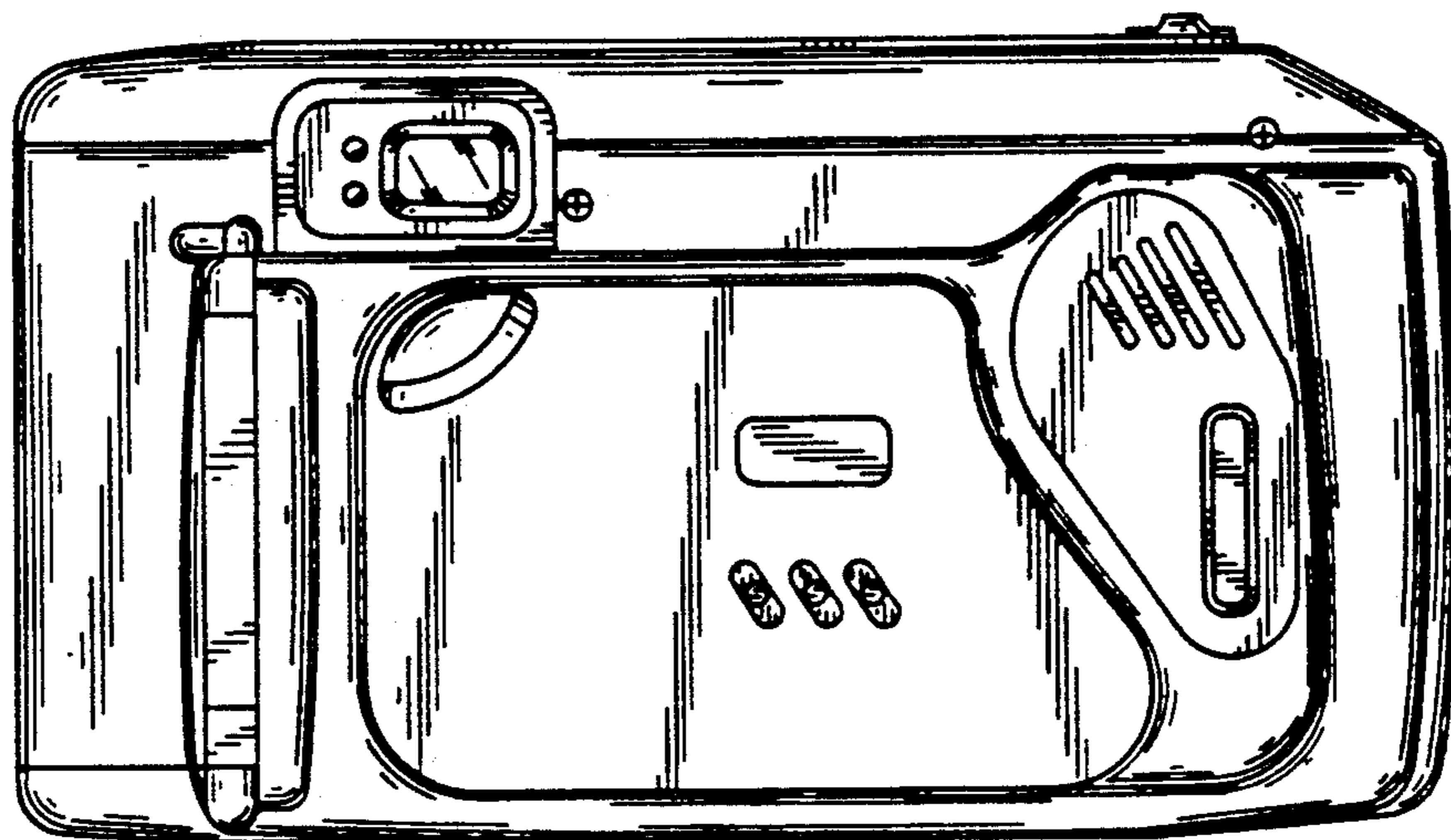


FIG. 6

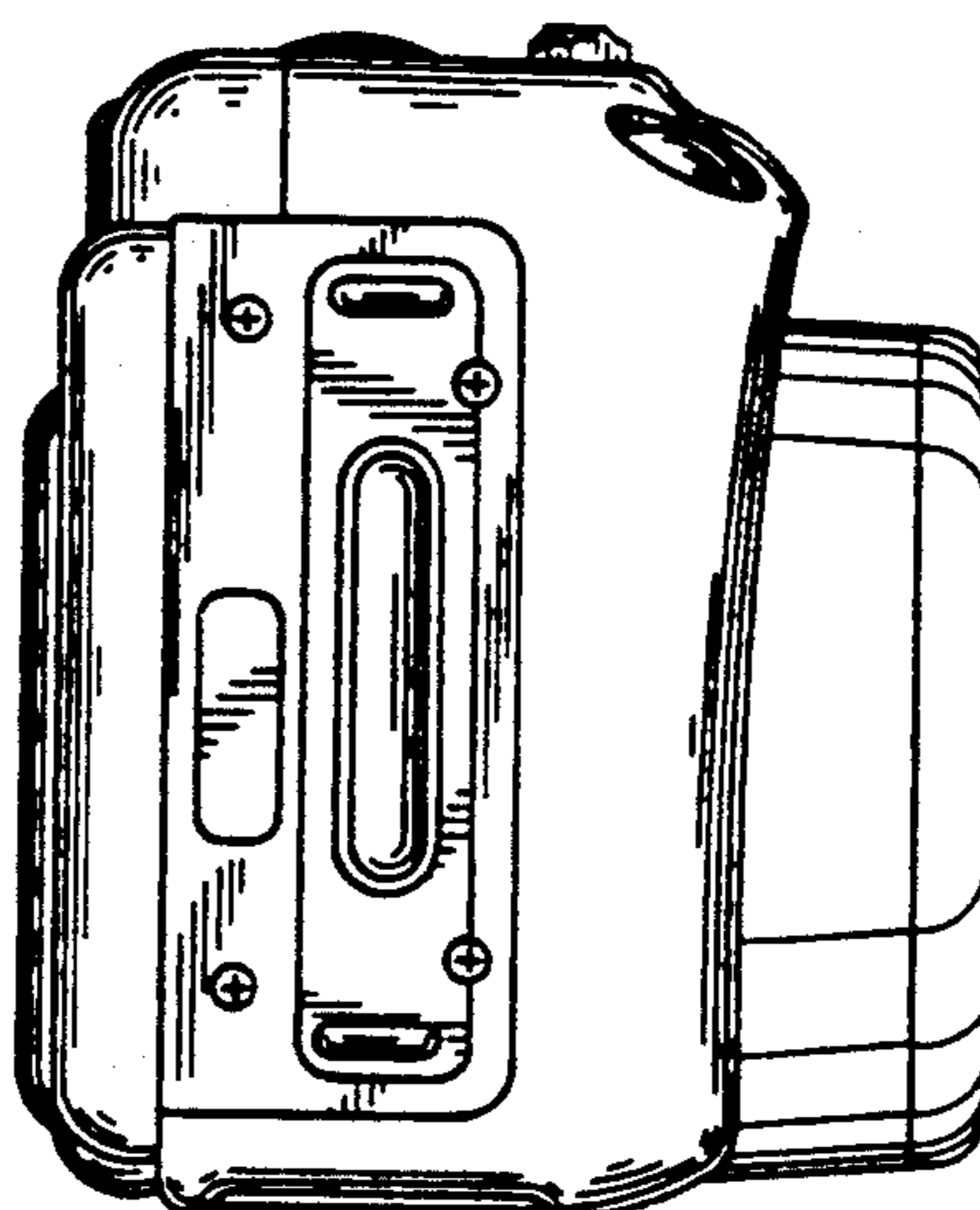


FIG. 7

