



US00D323514S

United States Patent [19]

[11] Patent Number: **Des. 323,514**

Quirk et al.

[45] Date of Patent: **** Jan. 28, 1992**

[54] **SHAKER**

4,617,832	10/1986	Musschoot	74/61 X
4,749,305	6/1988	Brown et al.	74/61 X
4,980,590	12/1990	Taniguchi et al.	74/61 X

[75] Inventors: **Michael J. Quirk; Timothy E. Drake,**
both of Westfield, N.Y.

[73] Assignee: **Renold, Inc.,** Westfield, N.Y.

[**] Term: **14 Years**

Primary Examiner—Bruce W. Dunkins
Assistant Examiner—Antoine D. Davis
Attorney, Agent, or Firm—Charles L. Lovercheck;
Wayne L. Lovercheck

[21] Appl. No.: **322,238**

[57] **CLAIM**

[22] Filed: **Mar. 13, 1989**

The ornamental design for a shaker, as shown and described.

[52] U.S. Cl. **D15/147**

[58] Field of Search **D15/147; 74/61;**
464/170, 178

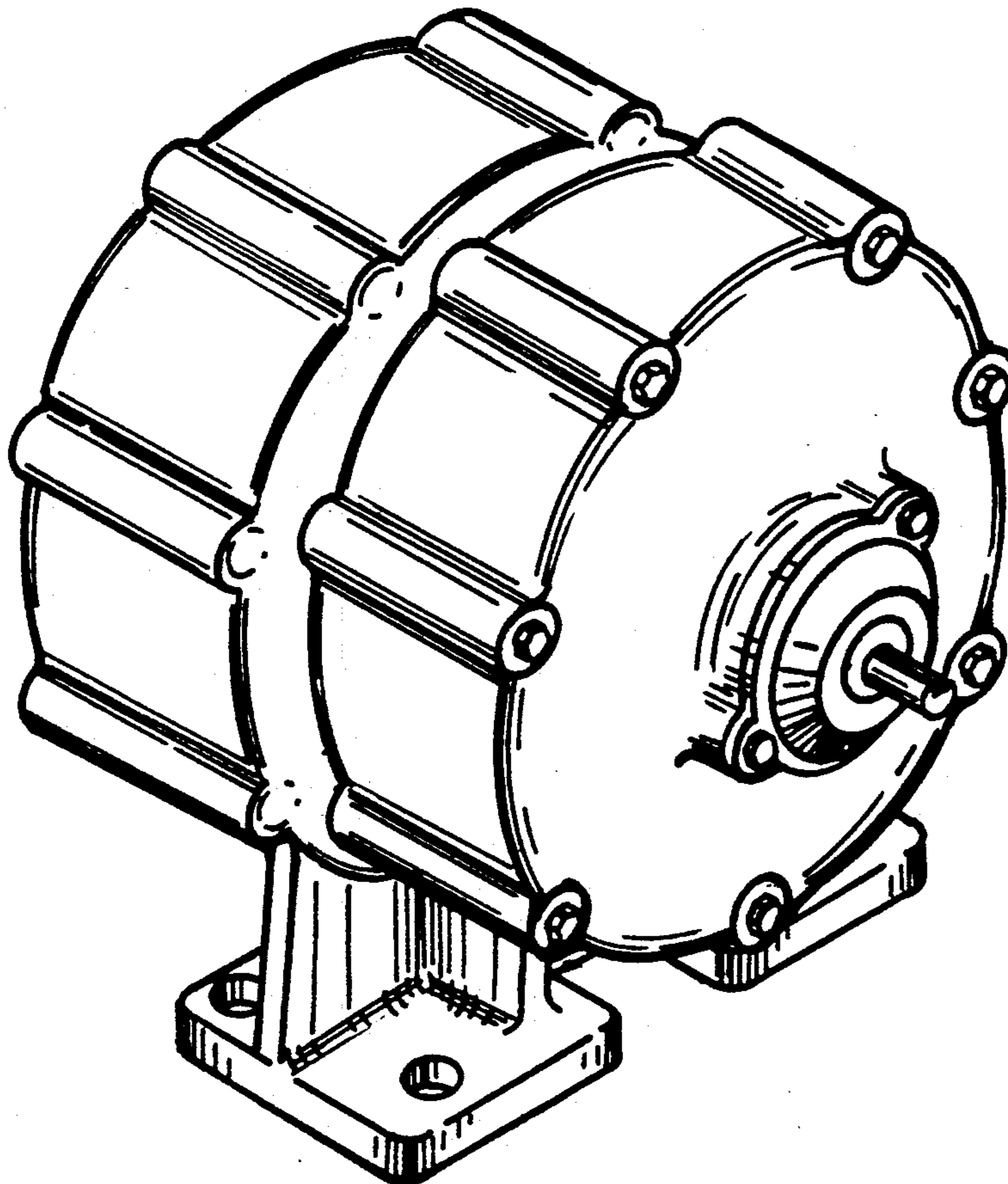
DESCRIPTION

[56] **References Cited**

U.S. PATENT DOCUMENTS

D. 193,213	7/1962	Peterson	D15/147
D. 233,244	10/1974	Quandt	D15/147 X
D. 288,819	3/1987	Droste	D15/147 X
3,772,923	11/1973	Burt	74/61
4,262,549	4/1981	Schwellenbach	74/61 X
4,265,129	5/1981	Bodine	74/61

FIG. 1 is a top, front and left side perspective view of a shaker showing our new design;
FIG. 2 is a front elevational view;
FIG. 3 is a left side elevational view;
FIG. 4 is a rear elevational view; and
FIG. 5 is a top plan view thereof, the bottom plan view being plain and unornamented;
FIGS. 2-5 have been drawn to a reduced scale with respect to FIG. 1.



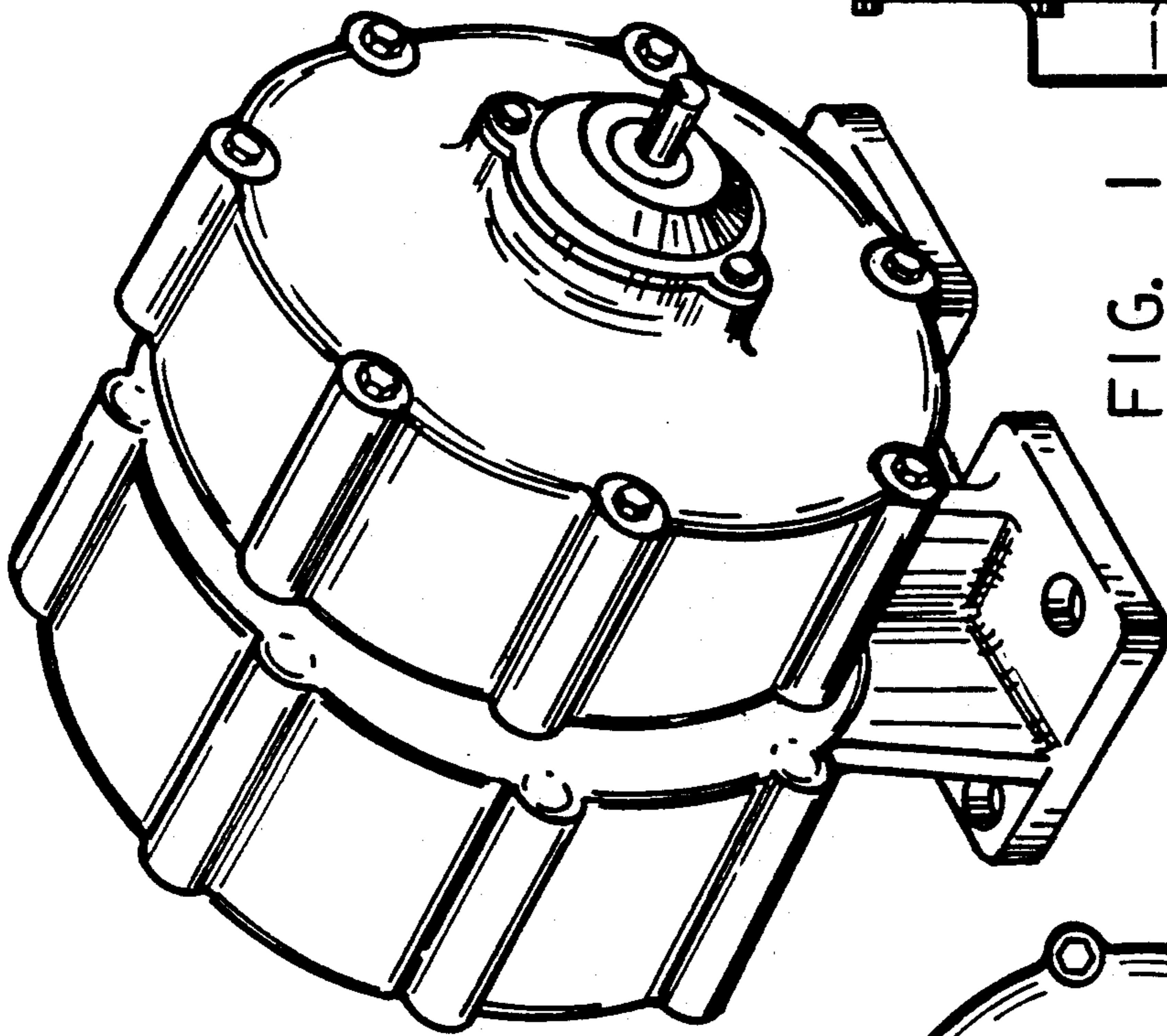


FIG. 1

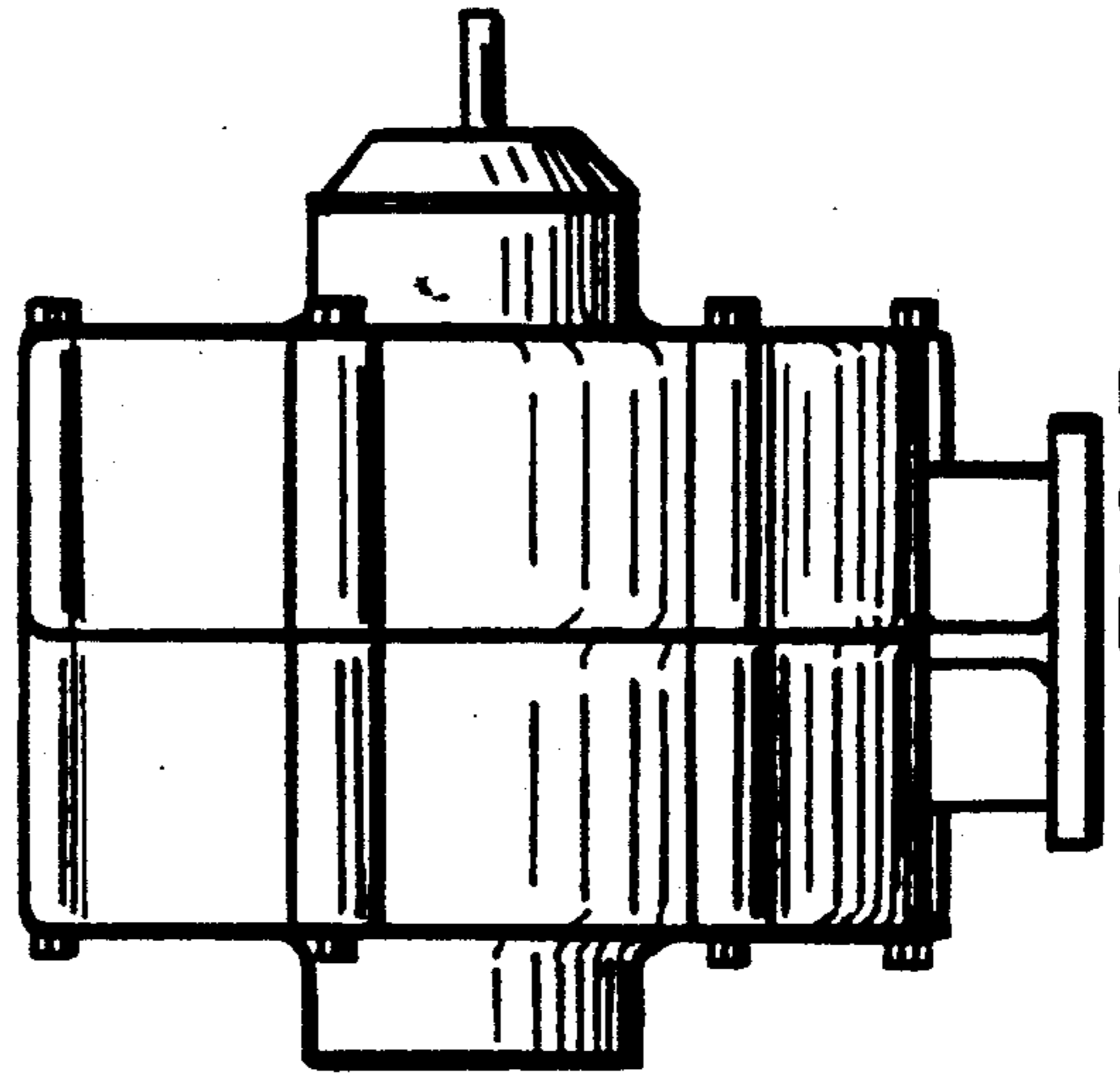


FIG. 3

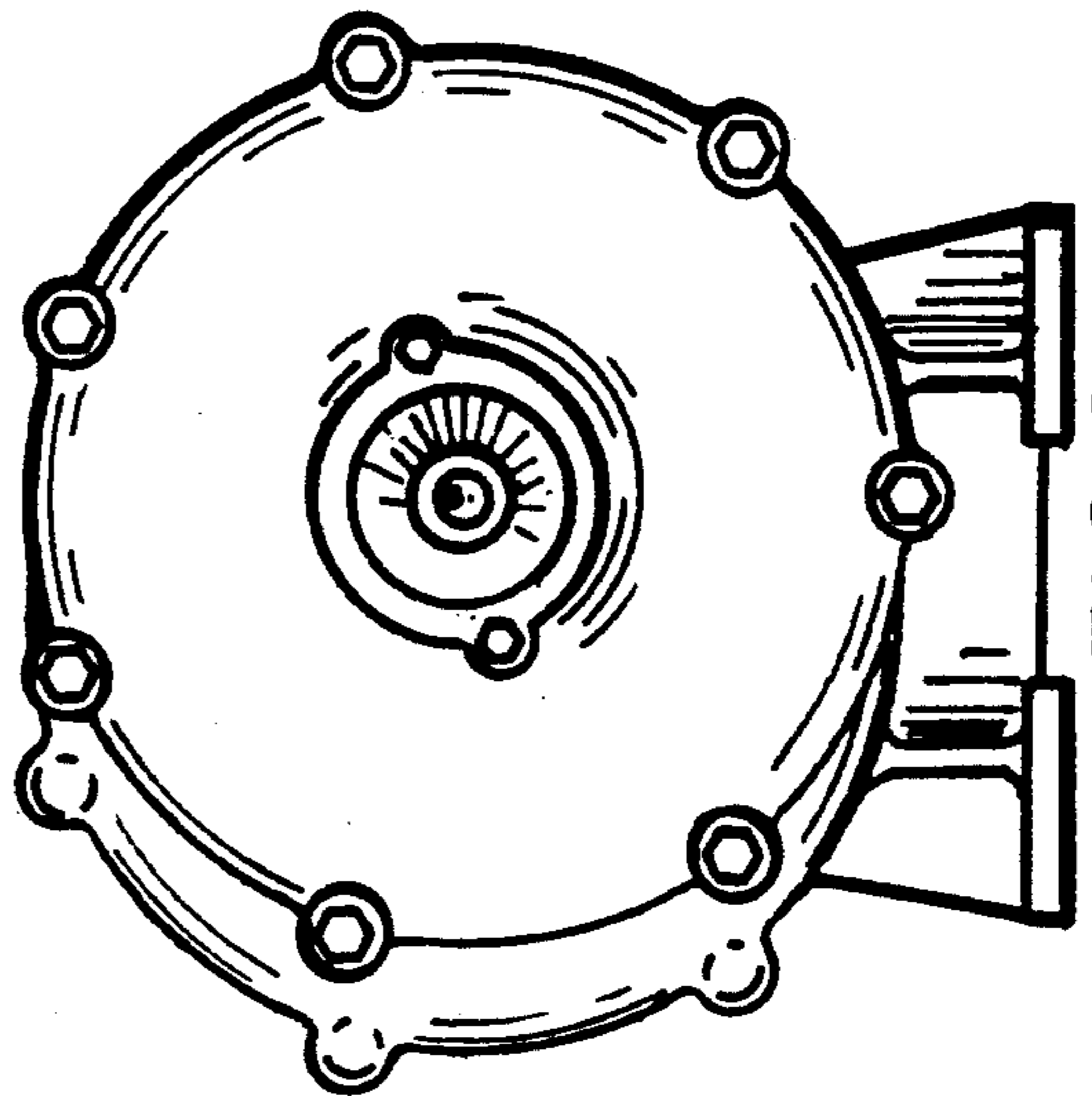


FIG. 2

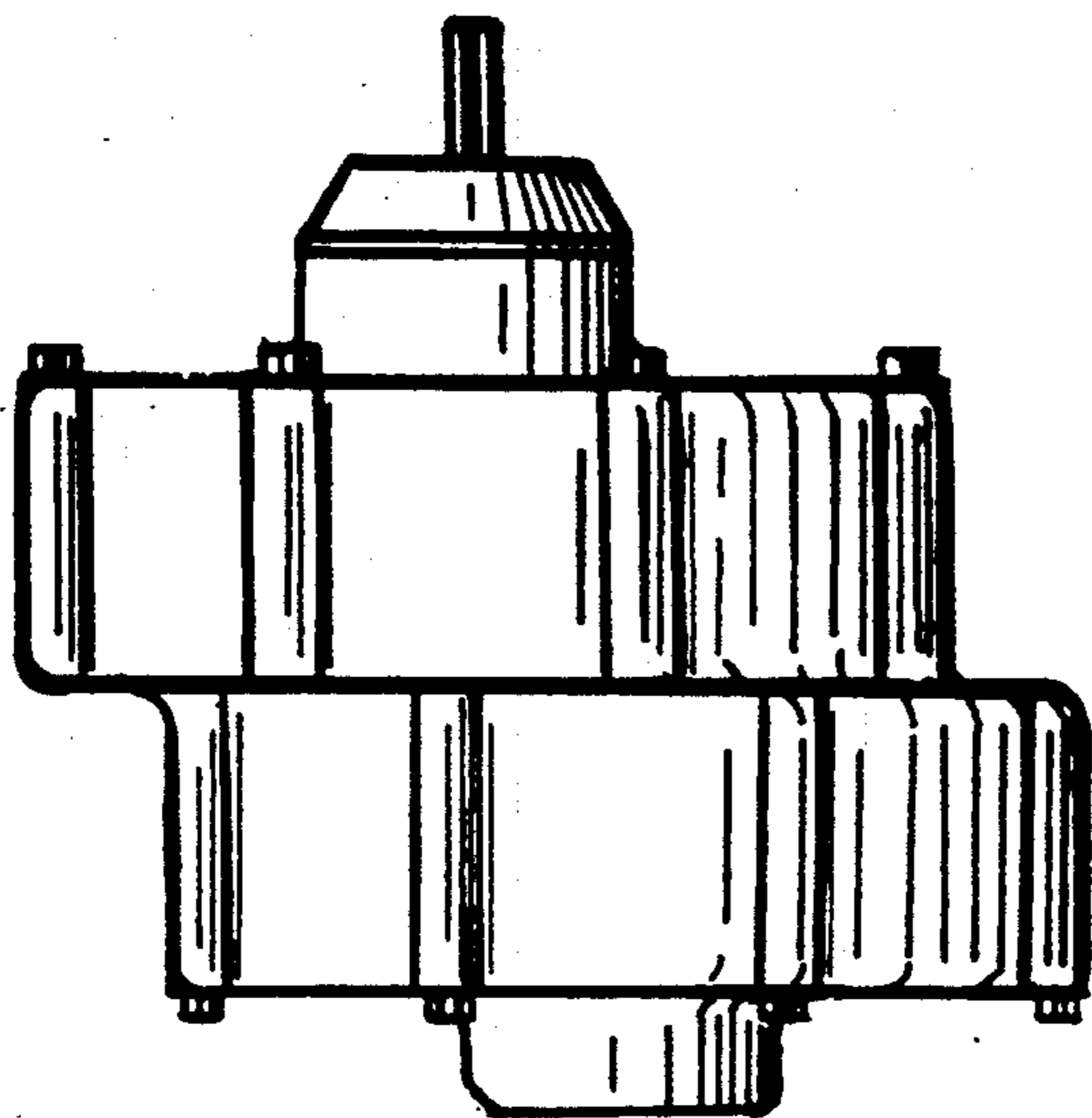


FIG. 5

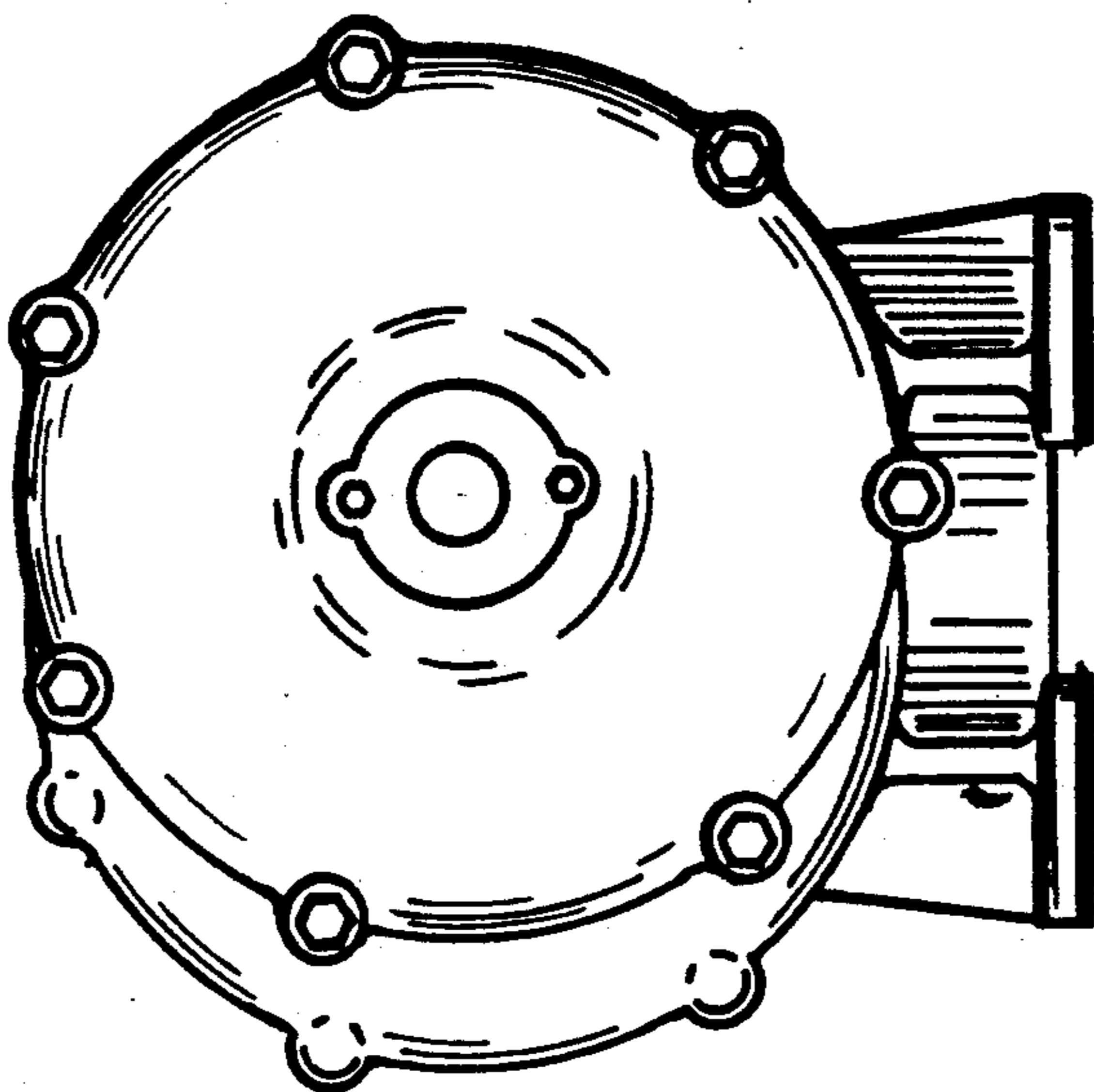


FIG. 4