



US00D323504S

# United States Patent [19] Langton

[11] Patent Number: **Des. 323,504**  
[45] Date of Patent: **\*\* Jan. 28, 1992**

[54] **STAND FOR TELEPHONE HANDSET**

[75] Inventor: **Carlton M. Langton**, Nottingham, England

[73] Assignee: **Gec Plessey Telecommunications Limited**, Ilford, England

[\*\*] Term: **14 Years**

[21] Appl. No.: **470,529**

[22] Filed: **Jan. 25, 1990**

[30] **Foreign Application Priority Data**

Jul. 25, 1989 [GB] United Kingdom ..... 1061065

[52] U.S. Cl. .... **D14/142; D14/148; D14/151; D14/248; D14/253; D14/149**

[58] Field of Search ..... **D14/151, 147, 248, 150, D14/142, 149, 138; D21/111; 379/428, 440, 435, 436, 428**

[56] **References Cited**

**U.S. PATENT DOCUMENTS**

- D. 184,307 1/1959 Dreyfuss et al. .... D14/148
- D. 189,877 3/1961 Mosing ..... D14/148
- D. 215,664 10/1969 Dreyfuss et al. .... D14/148
- D. 275,483 9/1984 Gengro et al. .... D14/149
- D. 282,464 2/1986 Rivette et al. .... D14/148
- D. 284,760 7/1986 Keating ..... D14/138

- D. 285,790 9/1986 Harrison et al. .... D14/148
- D. 289,394 4/1987 Brown ..... D14/149
- D. 297,534 9/1988 Daniels et al. .... D14/149
- D. 297,732 9/1988 Chan ..... D14/149
- D. 299,342 1/1989 Buchin ..... D14/151
- D. 302,690 8/1989 Krohn et al. .... D14/151
- D. 306,729 3/1990 Shaanan ..... D14/149 X
- D. 307,429 4/1990 Pfeifer et al. .... D14/151
- D. 308,867 6/1990 Matkovich et al. .... D14/151 X
- D. 315,154 3/1991 Iisuka et al. .... D14/151 X
- D. 316,411 4/1991 Faliero ..... D14/151 X
- 4,736,411 4/1988 Chan ..... 379/368

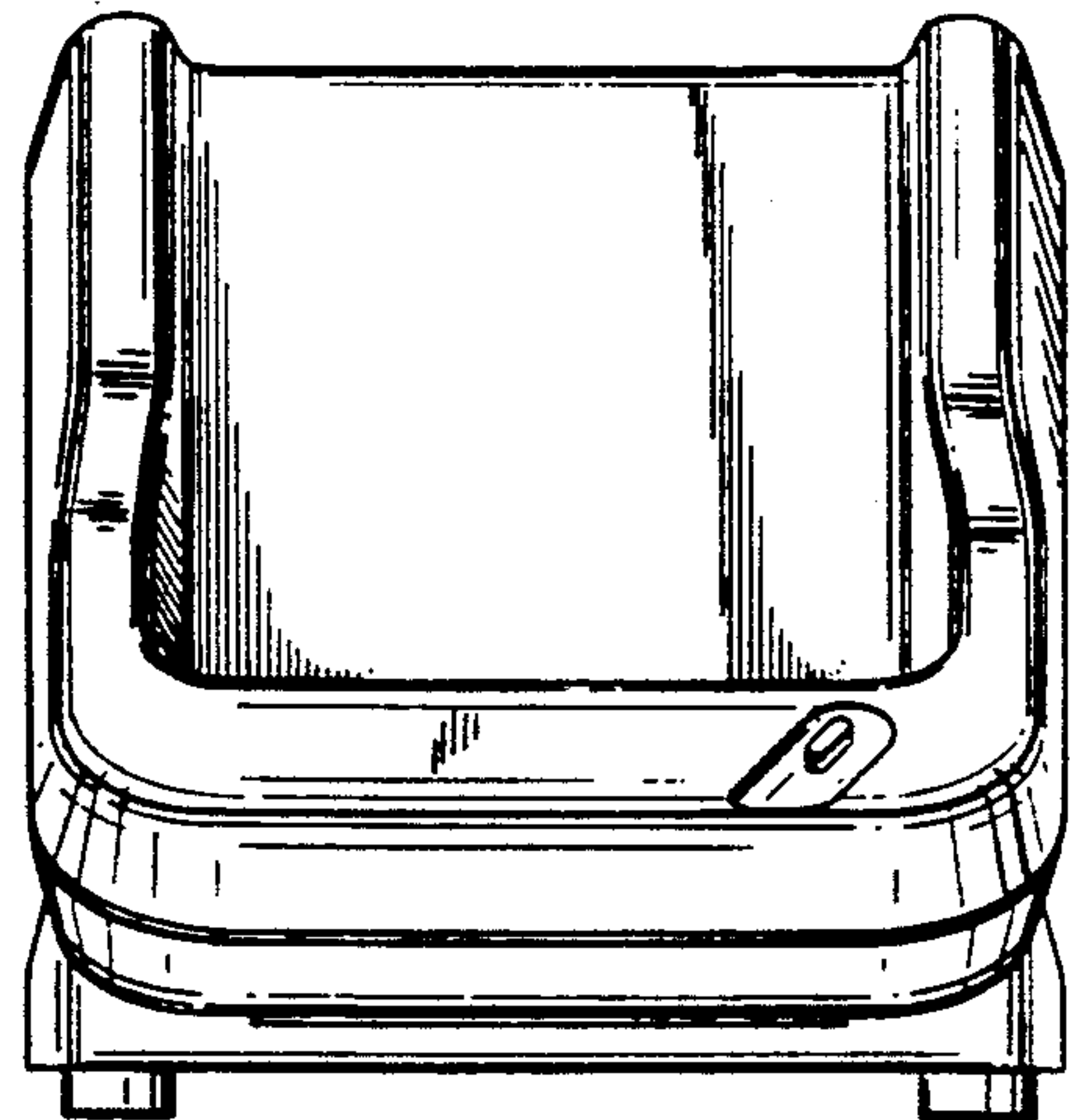
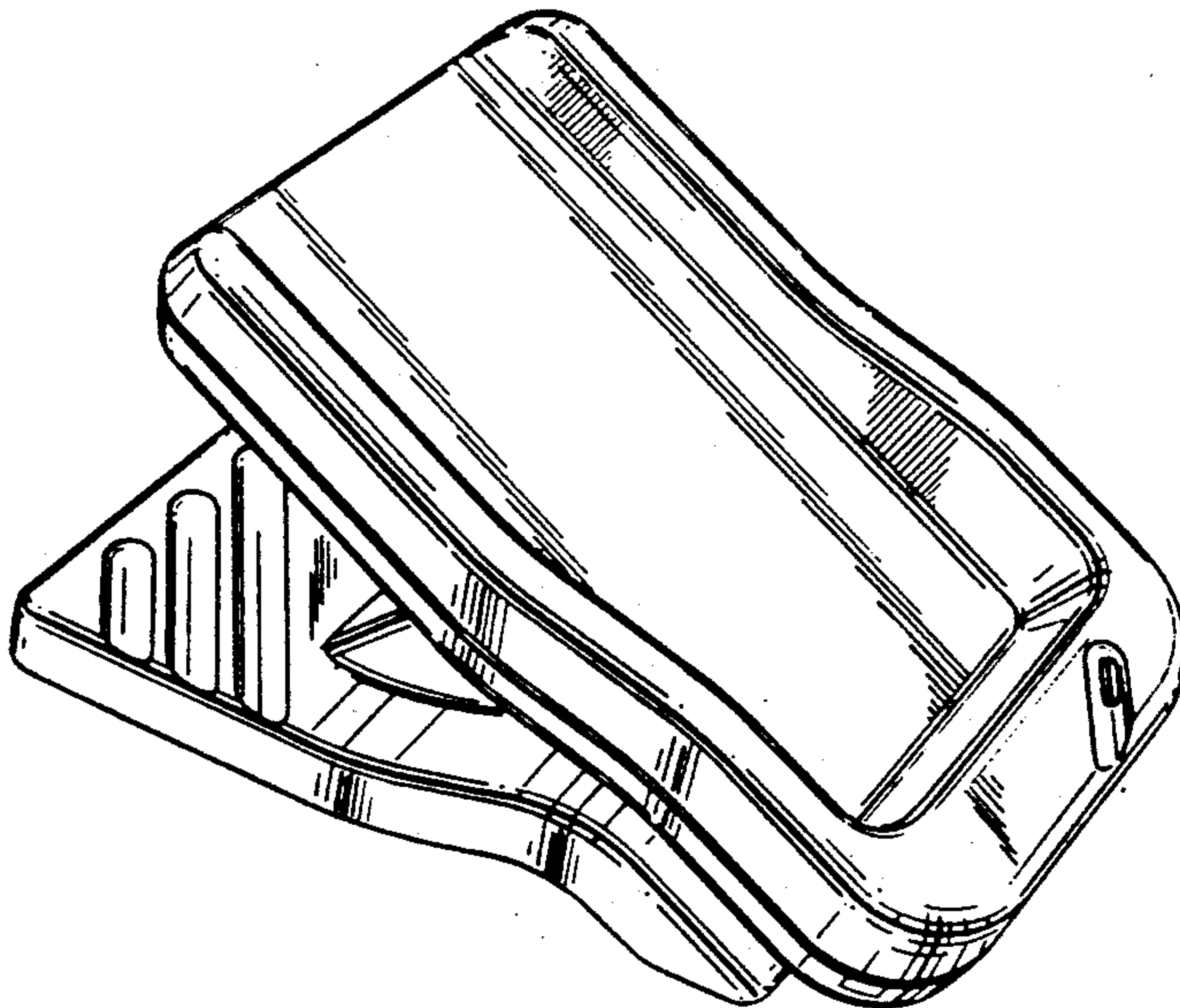
*Primary Examiner*—Horace B. Fay, Jr.  
*Attorney, Agent, or Firm*—Fleit, Jacobson, Cohn, Price, Holman & Stern

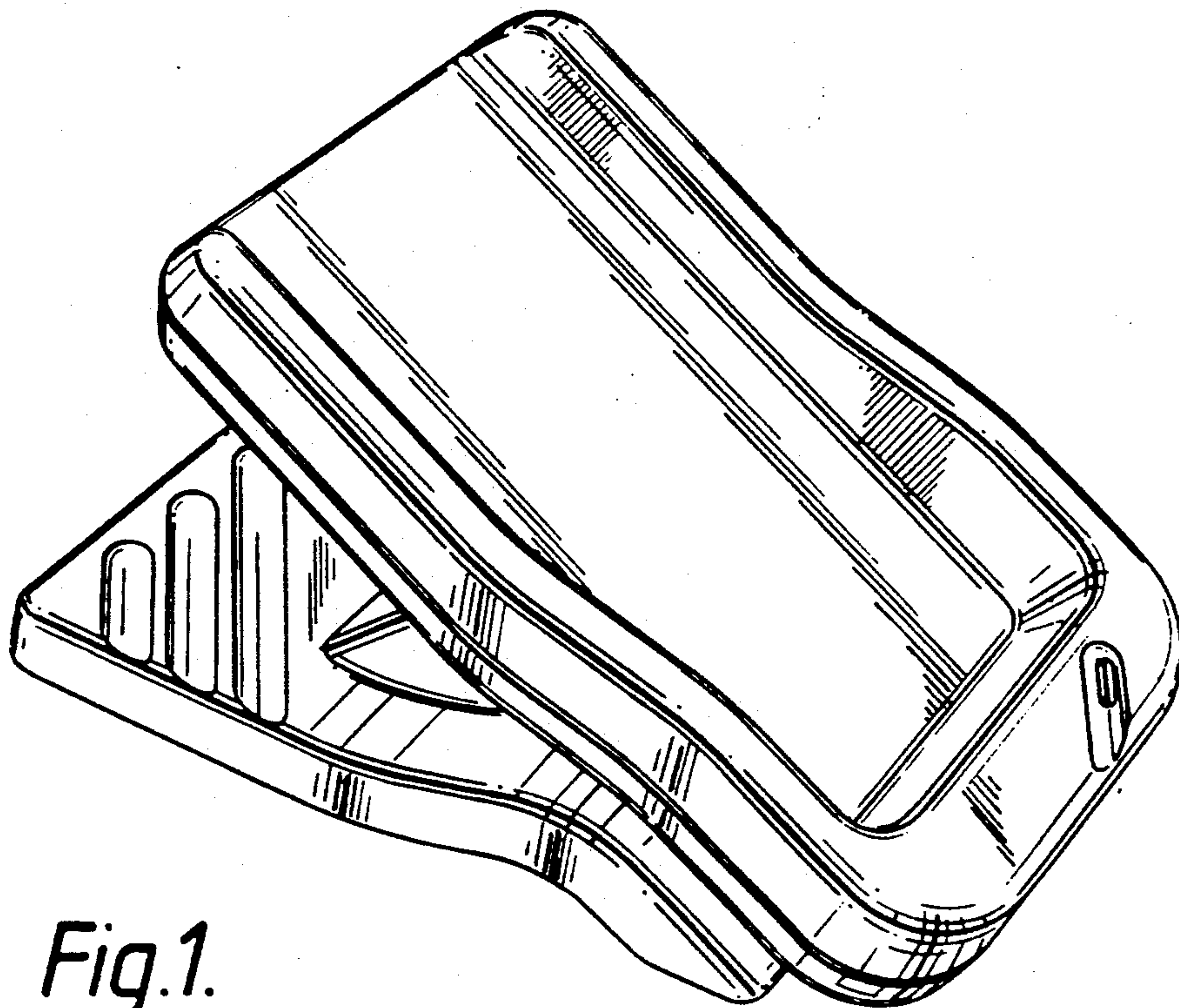
[57] **CLAIM**

The ornamental design for a stand for telephone handset, as shown and described.

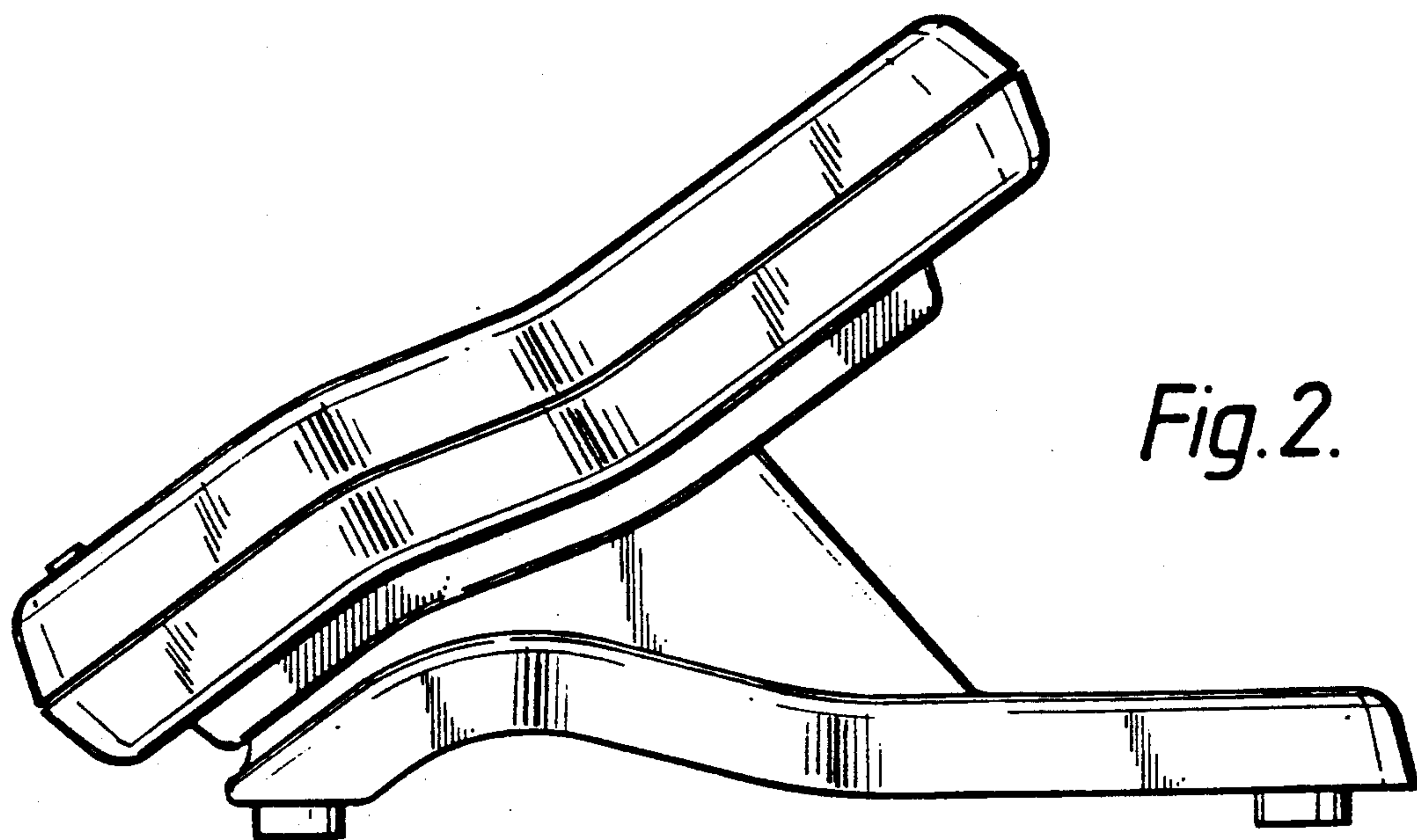
**DESCRIPTION**

FIG. 1 is a left side, top and front perspective view of a stand for telephone handset;  
FIGS. 2 and 3 are respectively right and left elevational views thereof;  
FIG. 4 is a top plan view thereof;  
FIGS. 5 and 6 are respectively front and rear elevational views thereof; and  
FIG. 7 is a bottom plan view thereof.



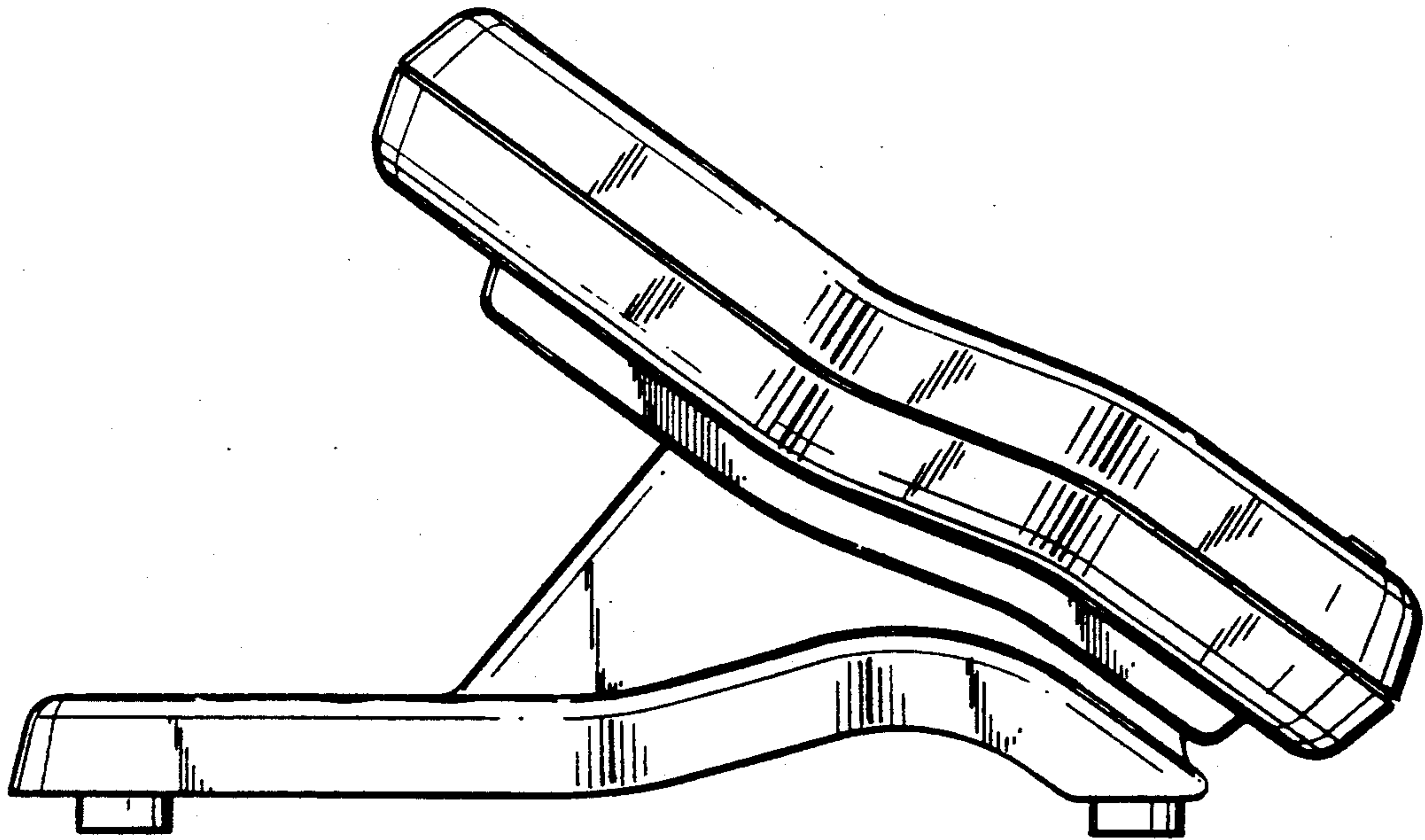


*Fig. 1.*

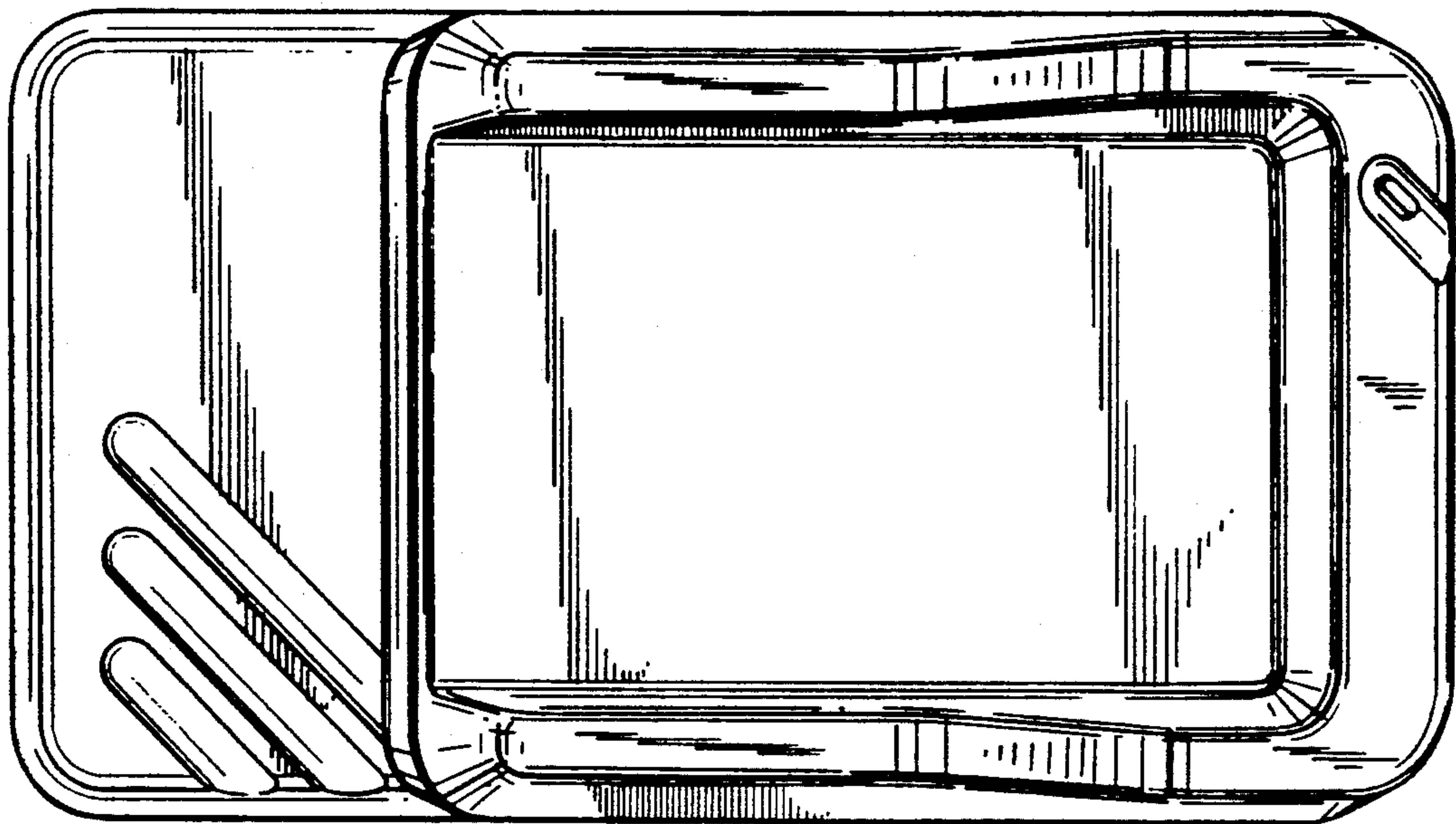


*Fig. 2.*

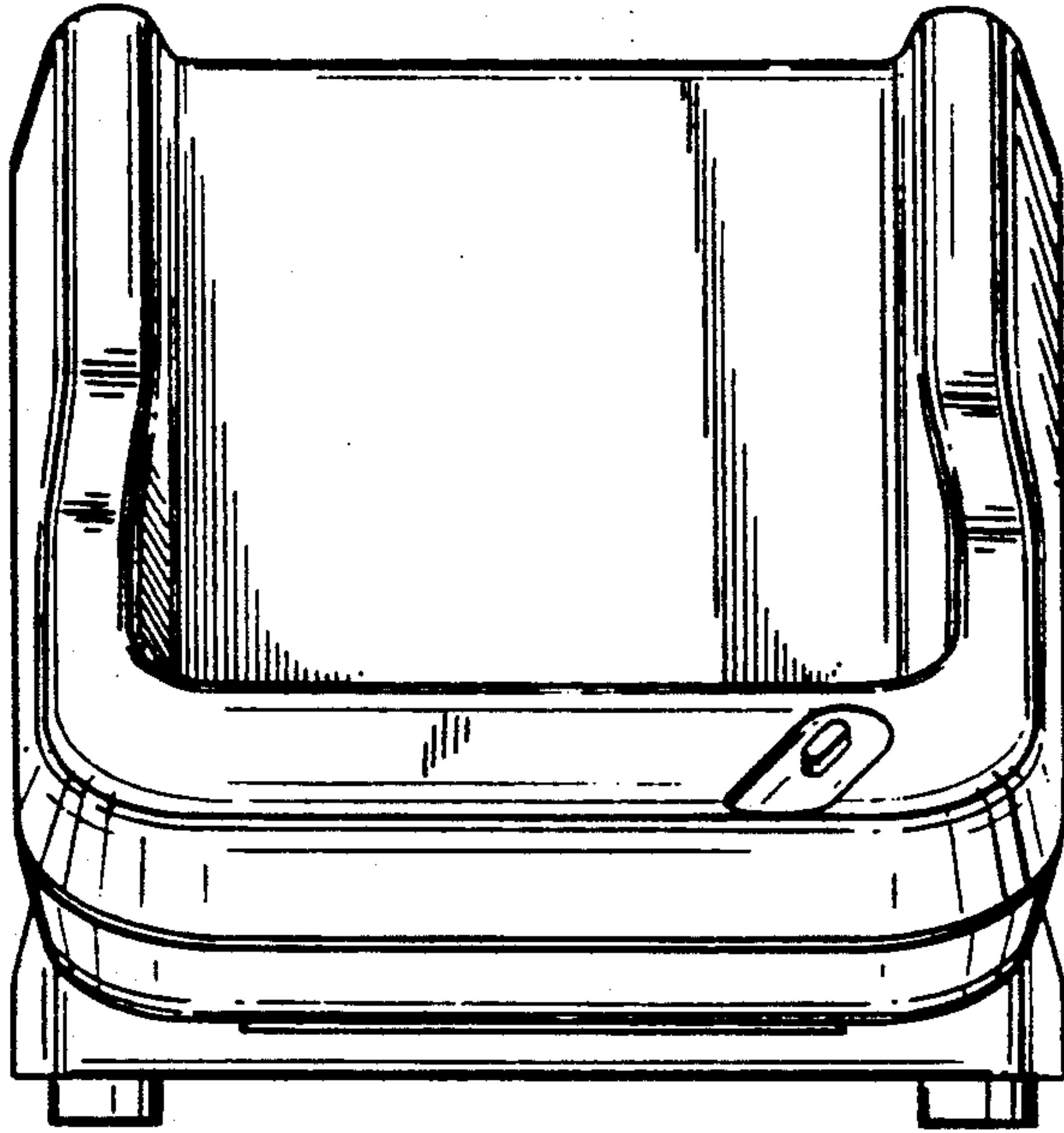




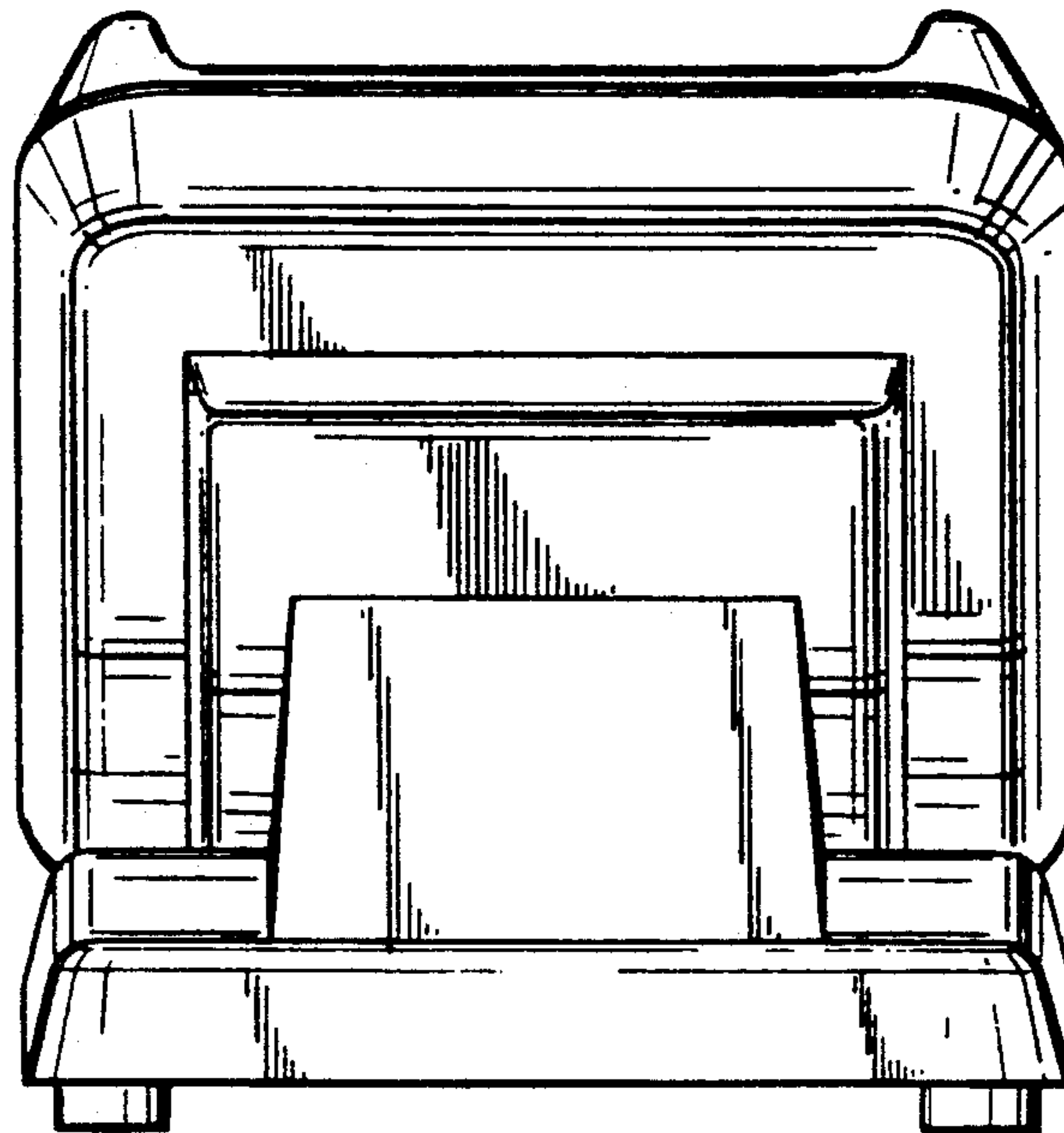
*Fig. 3.*



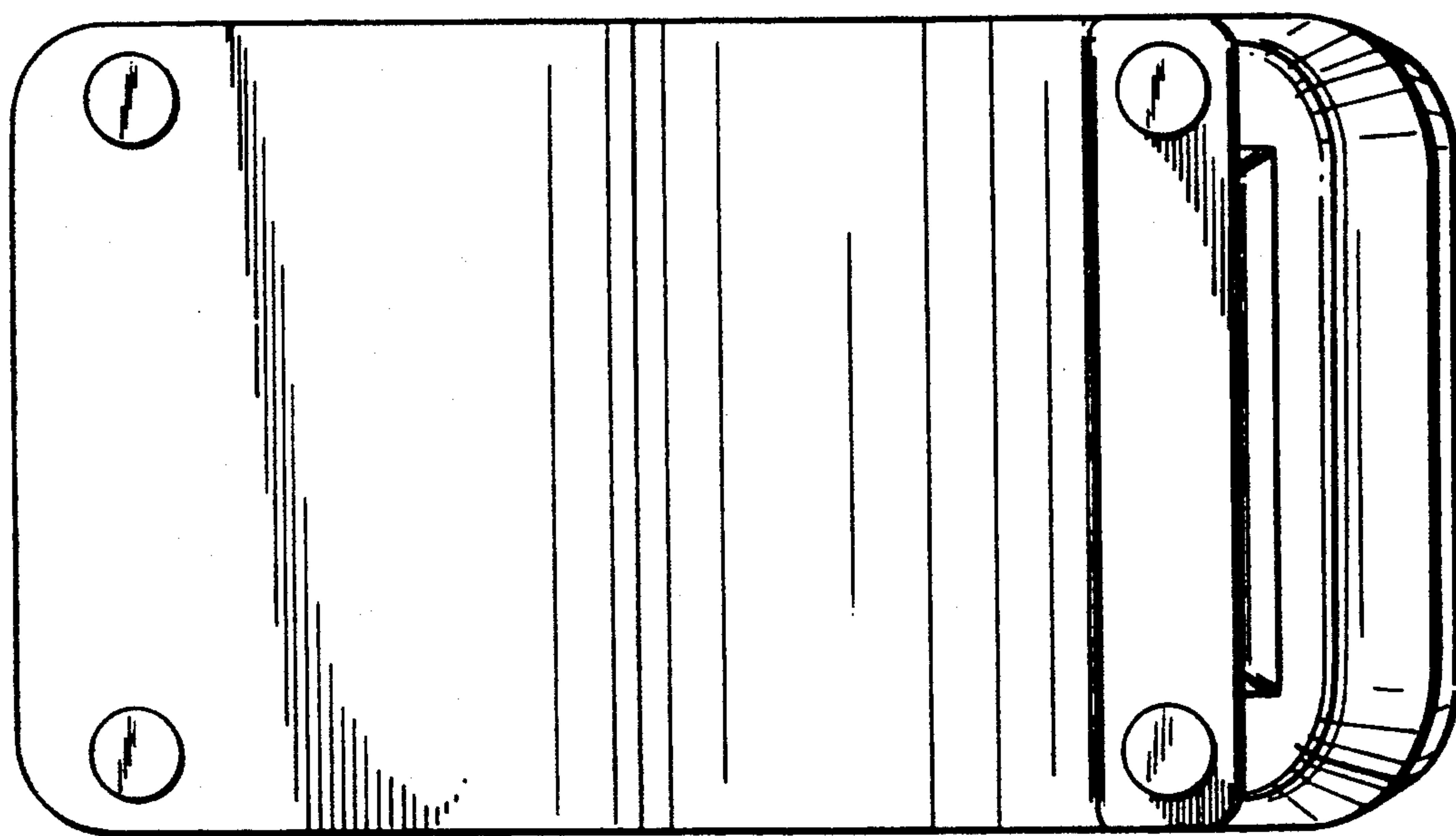
*Fig. 4.*



*Fig. 5.*



*Fig. 6.*



*Fig. 7.*