



US00D323491S

United States Patent [19]

[11] Patent Number: **Des. 323,491**

Lakoski et al.

[45] Date of Patent: **** Jan. 28, 1992**

[54] **COMPUTER DISK DRIVE LOCKING BEZEL**

[75] Inventors: **Robert P. Lakoski**, Austin, Tex.;
Jody L. Numbers, Tempe; **Flavio A. Ghia**, Phoenix, both of Ariz.

[73] Assignee: **Lama Systems, Inc.**, Austin, Tex.

[**] Term: **14 Years**

[21] Appl. No.: **384,681**

[22] Filed: **Jul. 26, 1989**

[52] U.S. Cl. **D14/115**

[58] Field of Search **D14/100, 114, 115;**
235/130 R; 379/445, 451; 70/57, 57.1, 58, 14,
232, 236; 200/43.01; 369/77.2, 292; 360/86,
97.01

[56] **References Cited**

U.S. PATENT DOCUMENTS

- D. 253,343 11/1979 Schultz et al. D14/114
- D. 280,326 8/1985 Jordan D14/115
- D. 298,252 10/1988 Sapper D14/115

- D. 308,052 5/1990 Darden et al. D14/114 X
- 4,685,312 8/1987 Lakoski et al. 70/58 X
- 4,794,587 12/1988 Cordiano 70/58 X
- 4,918,952 4/1990 Lakoski et al. 70/57
- 4,964,285 10/1990 Lakoski et al. 70/58 X

Primary Examiner—Wallace R. Burke
Assistant Examiner—Freda S. Nunn
Attorney, Agent, or Firm—Leydig, Voit & Mayer

[57] **CLAIM**

The ornamental design for a computer disk drive locking bezel, as shown and described.

DESCRIPTION

FIG. 1 is a perspective view of a computer disk drive locking bezel showing our new design; FIG. 2 is a front elevational view thereof; FIG. 3 is a right side elevational view thereof; FIG. 4 is a left side elevational view thereof; FIG. 5 is a top plan view thereof; FIG. 6 is a bottom plan view thereof; and FIG. 7 is a rear elevational view thereof.

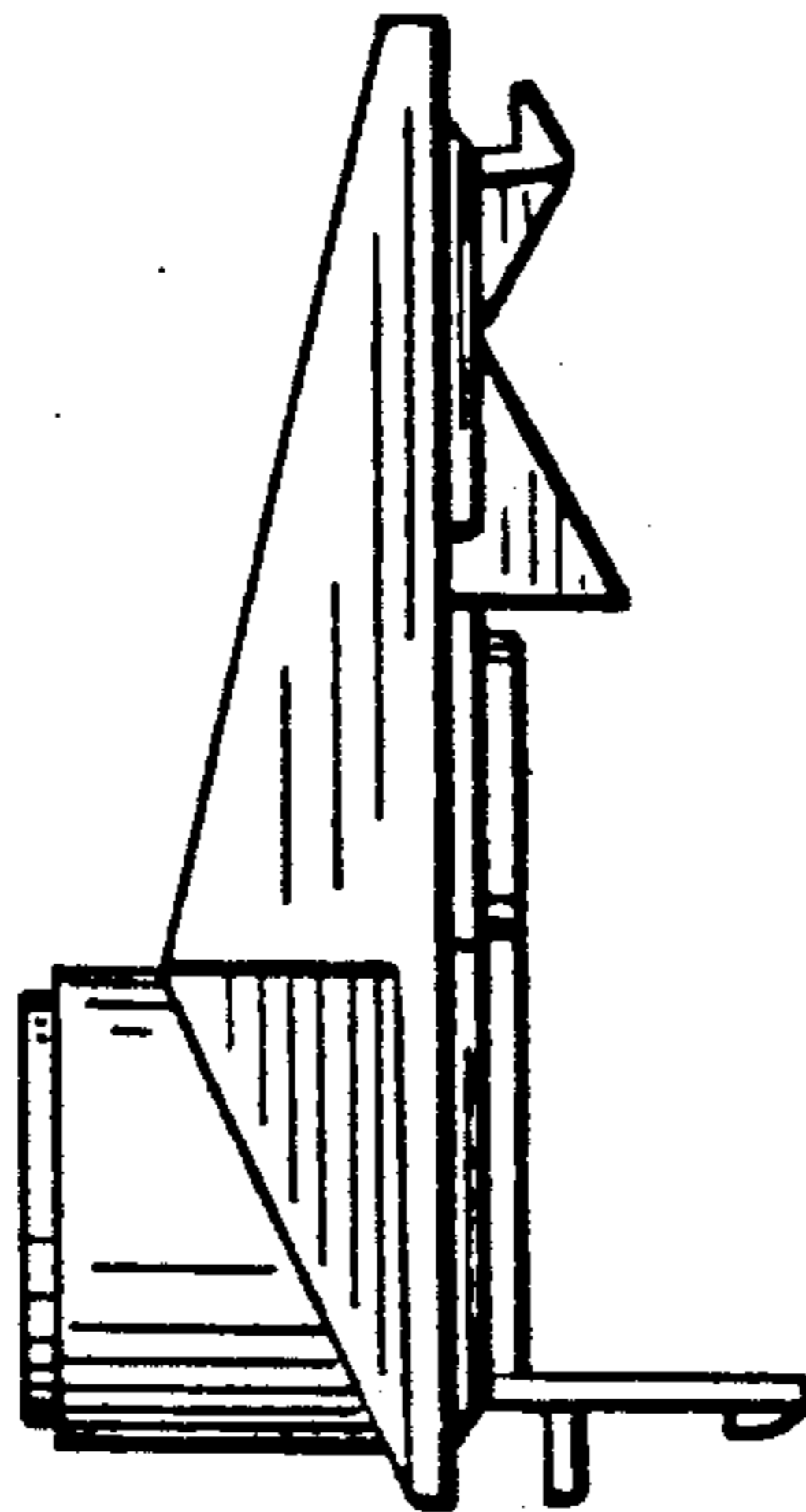
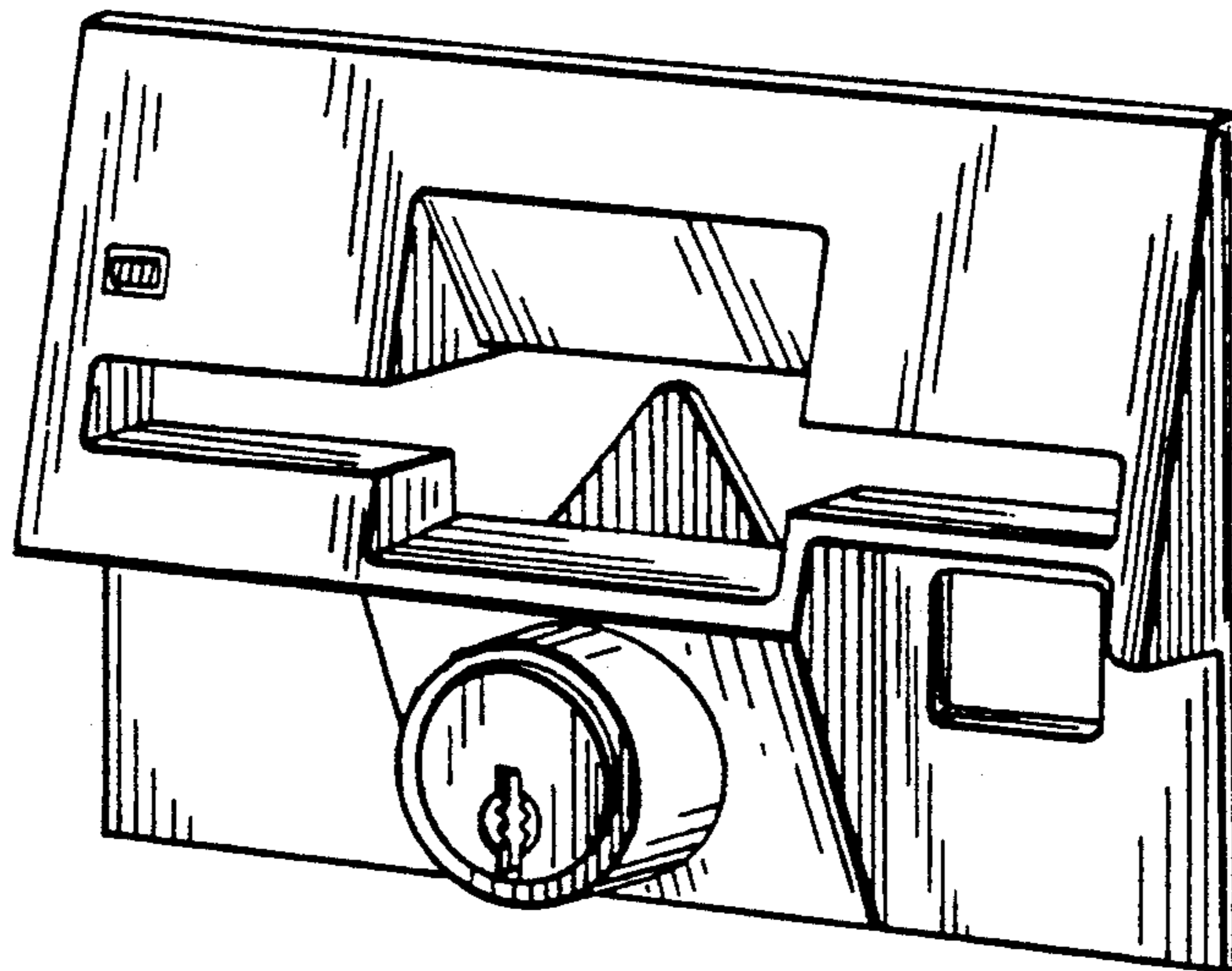


Fig.1

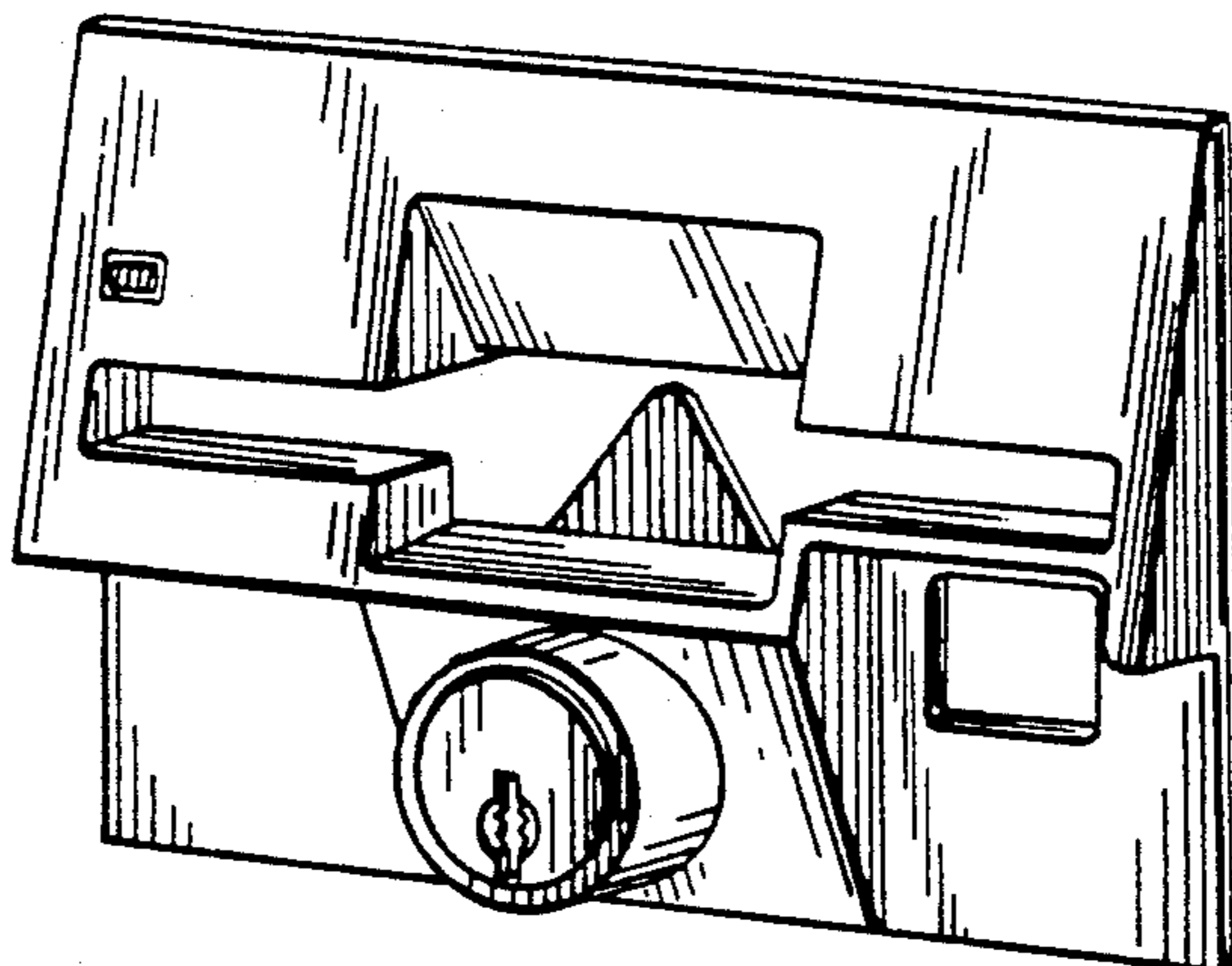


Fig.3

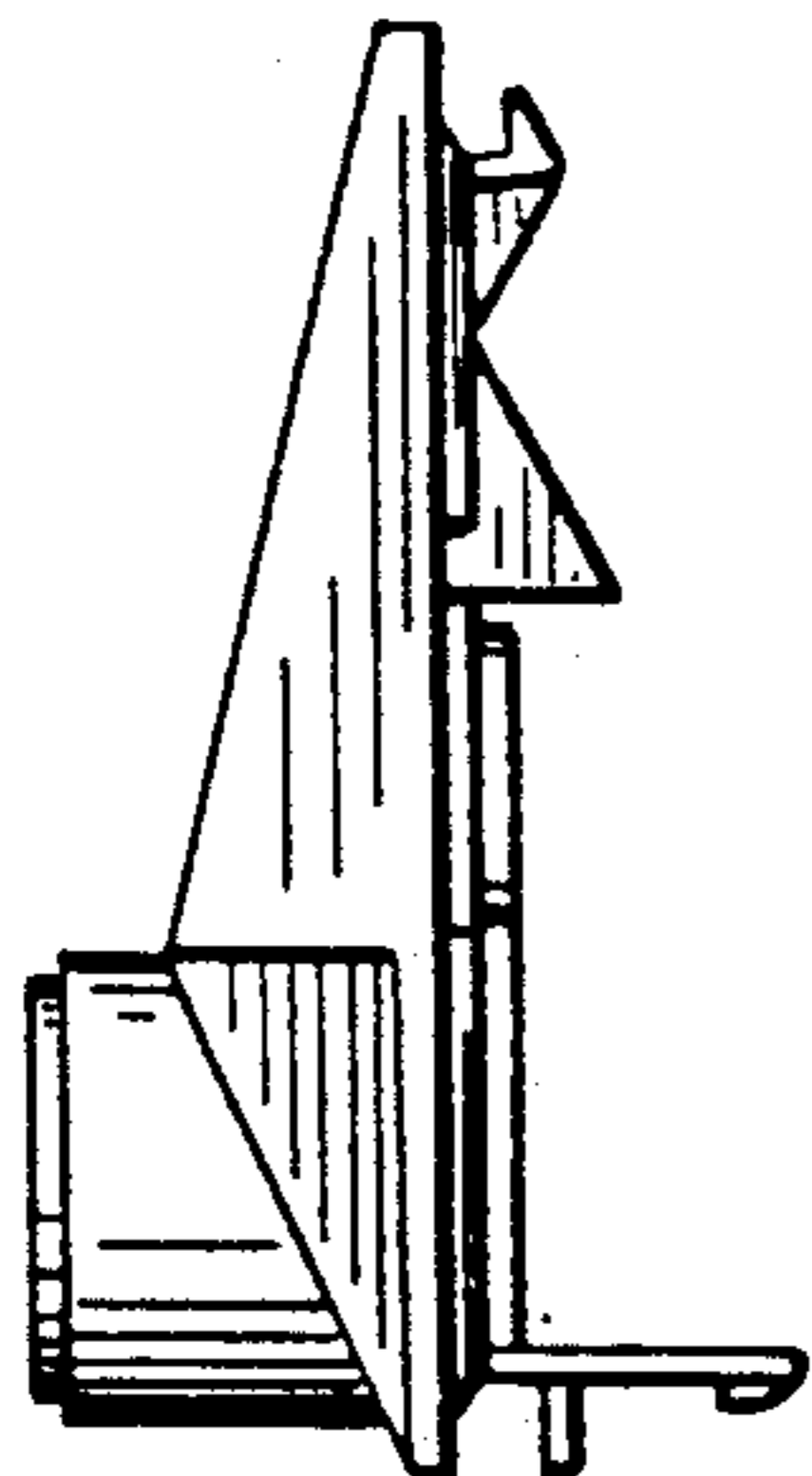


Fig.2

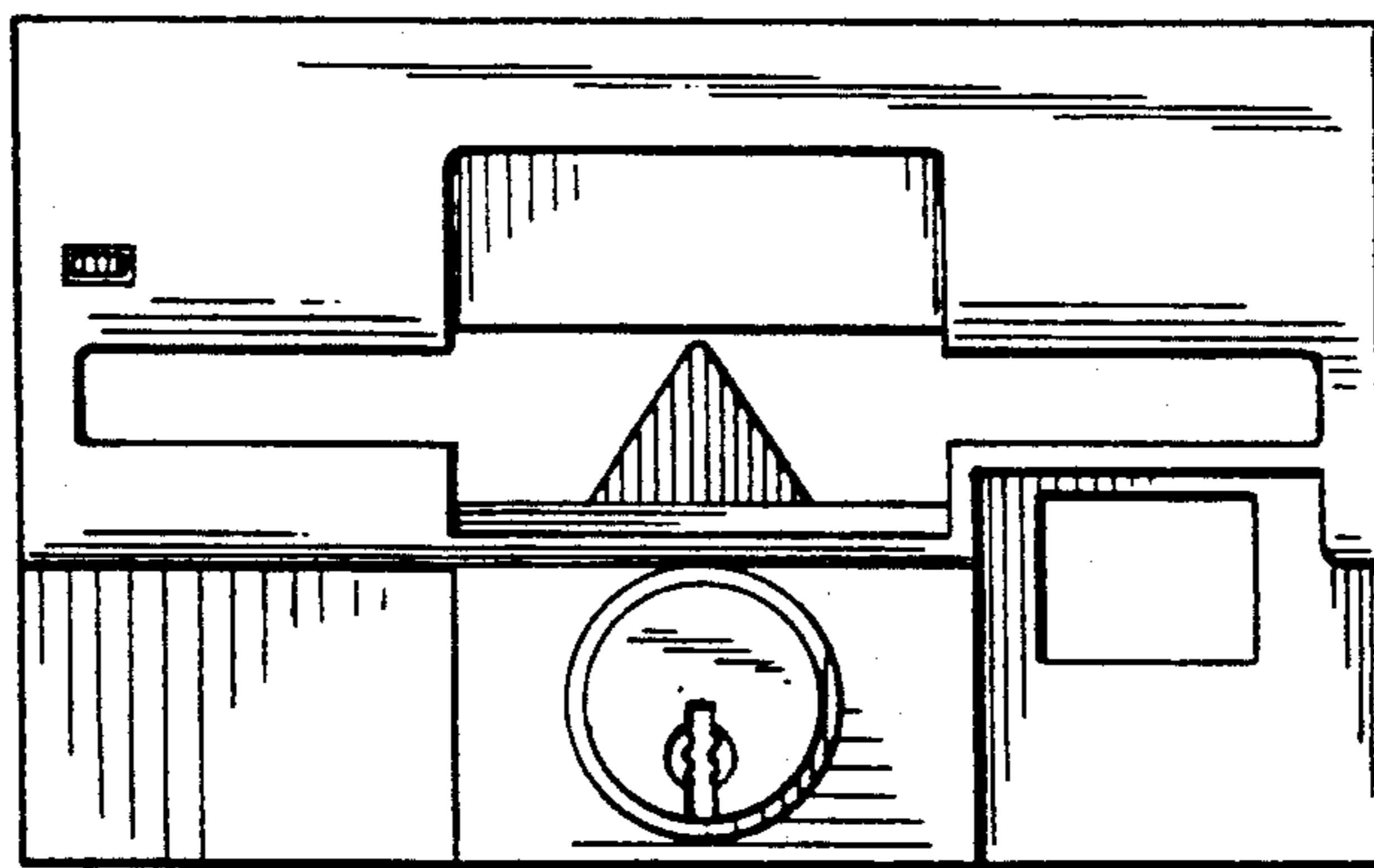


Fig.4

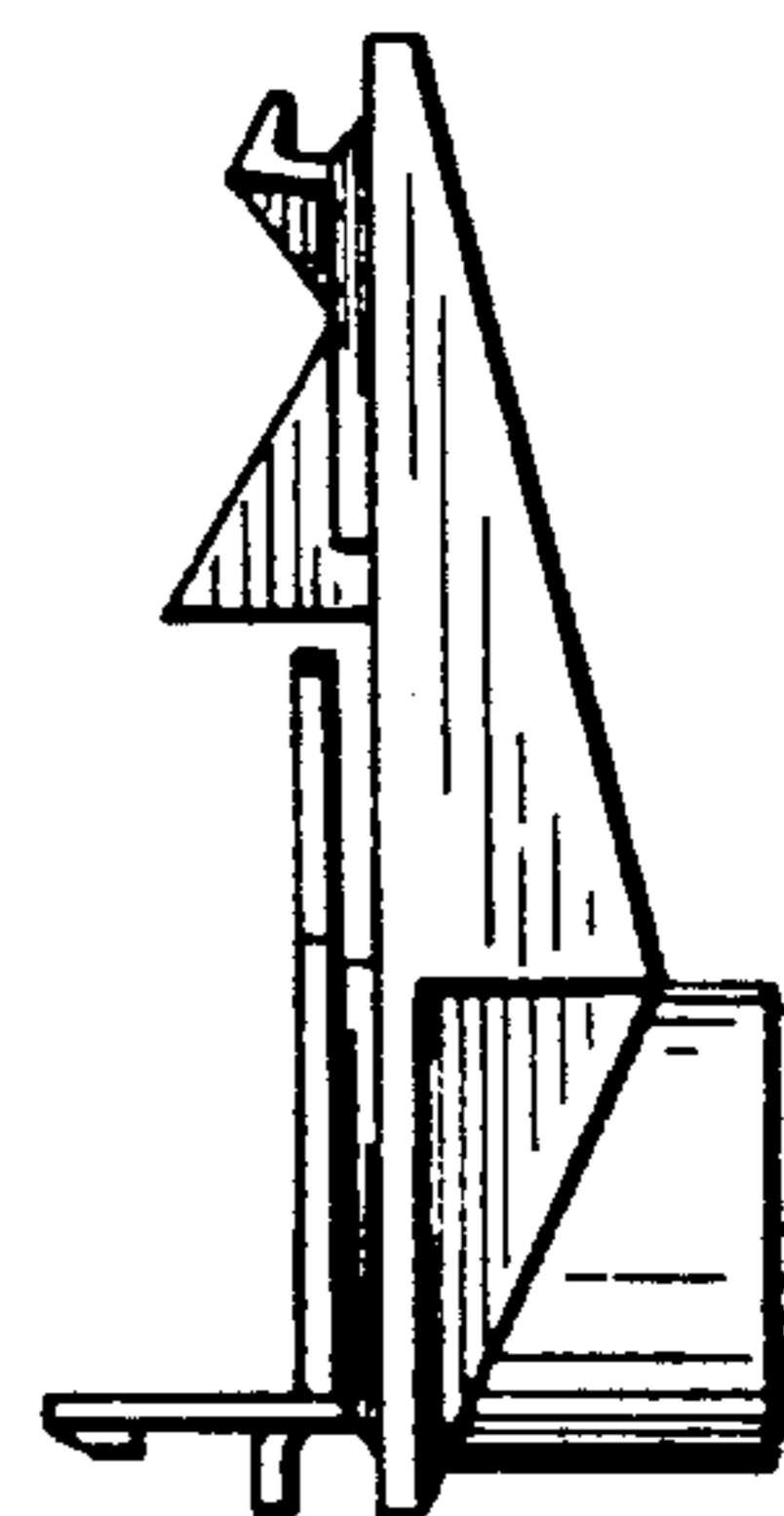


Fig.5

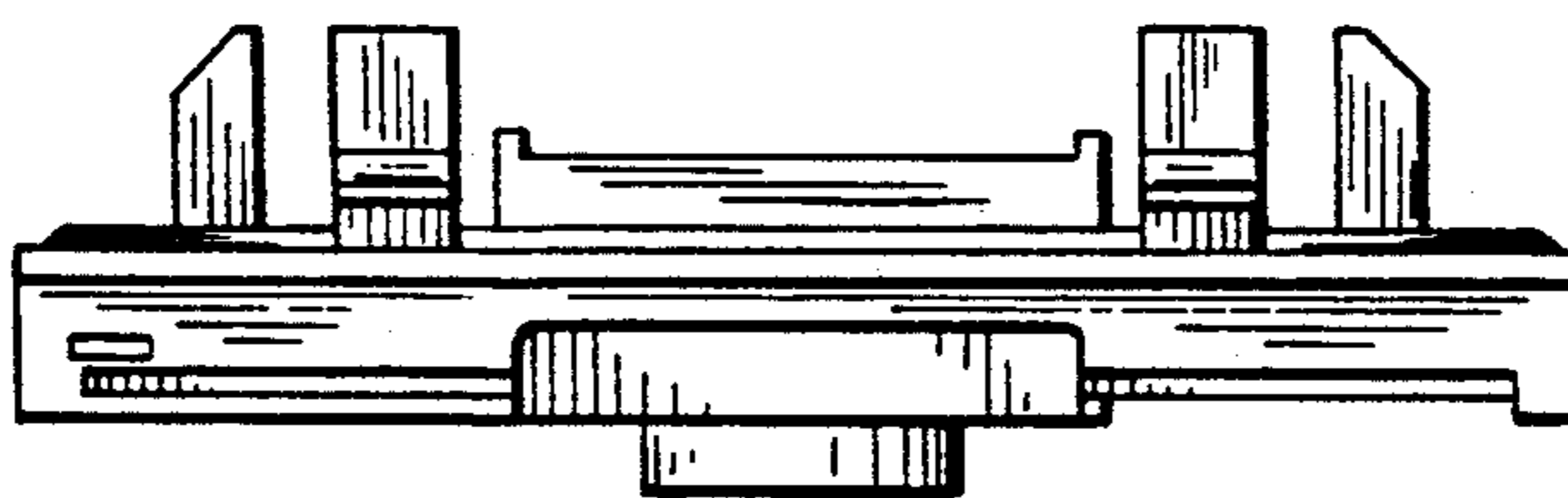


Fig.6

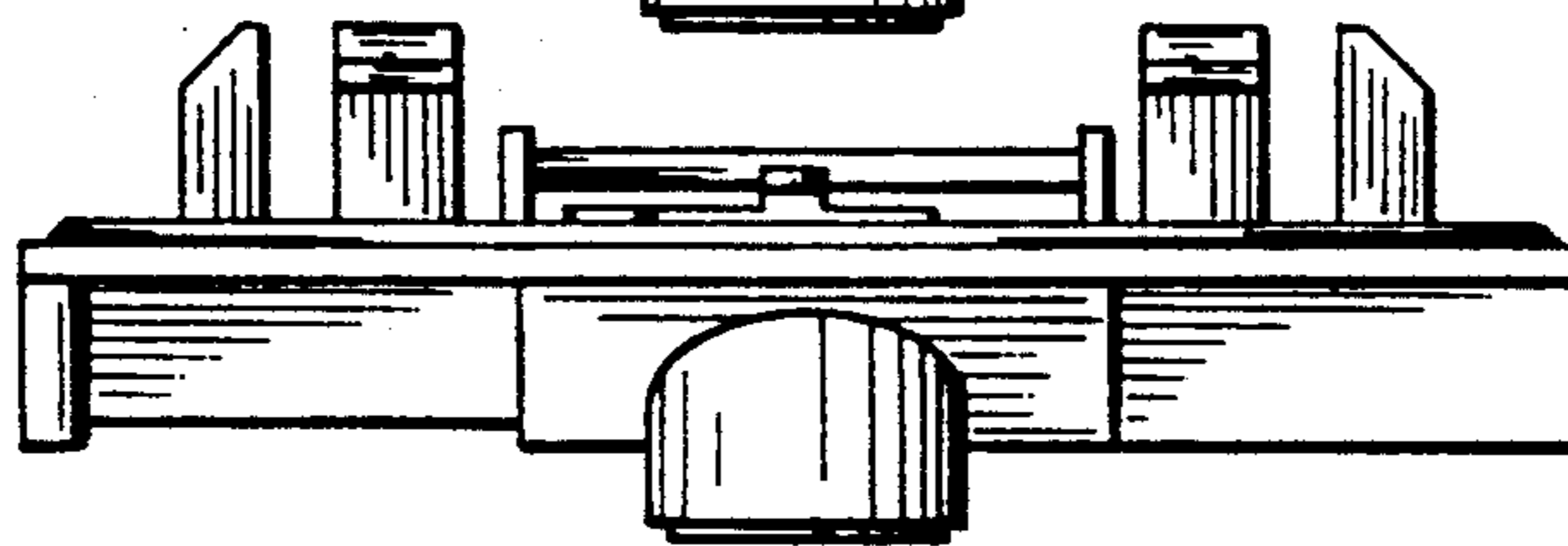


Fig.7

