



US00D323487S

# United States Patent [19]

[11] Patent Number: **Des. 323,487**

Dubicki

[45] Date of Patent: **\*\* Jan. 28, 1992**

[54] **NON-FUSED DISCONNECT**

[75] Inventor: **Chester Dubicki, Chicago, Ill.**

[73] Assignee: **Cooper Industries, Inc., Houston, Tex.**

[\*\*] Term: **14 Years**

[21] Appl. No.: **460,221**

[22] Filed: **Jan. 2, 1990**

[52] U.S. Cl. .... **D13/160**

[58] Field of Search ..... **D13/133, 142, 160, 158; 361/356, 331, 351; 200/16 F, 280, 293-294, 296, 303, 308**

3,916,265	10/1975	Friedman .....	361/356
4,251,700	2/1981	Zaffram et al. ....	200/293 X
4,785,145	11/1988	Owens et al. ....	200/280 X
4,851,963	7/1989	Miller et al. ....	361/356

*Primary Examiner*—Wallace R. Burke  
*Assistant Examiner*—M. H. Tung  
*Attorney, Agent, or Firm*—Nelson Blish; Jackie Duke; Alan Thiele

[57] **CLAIM**

The ornamental design for a non-fused disconnect, as shown.

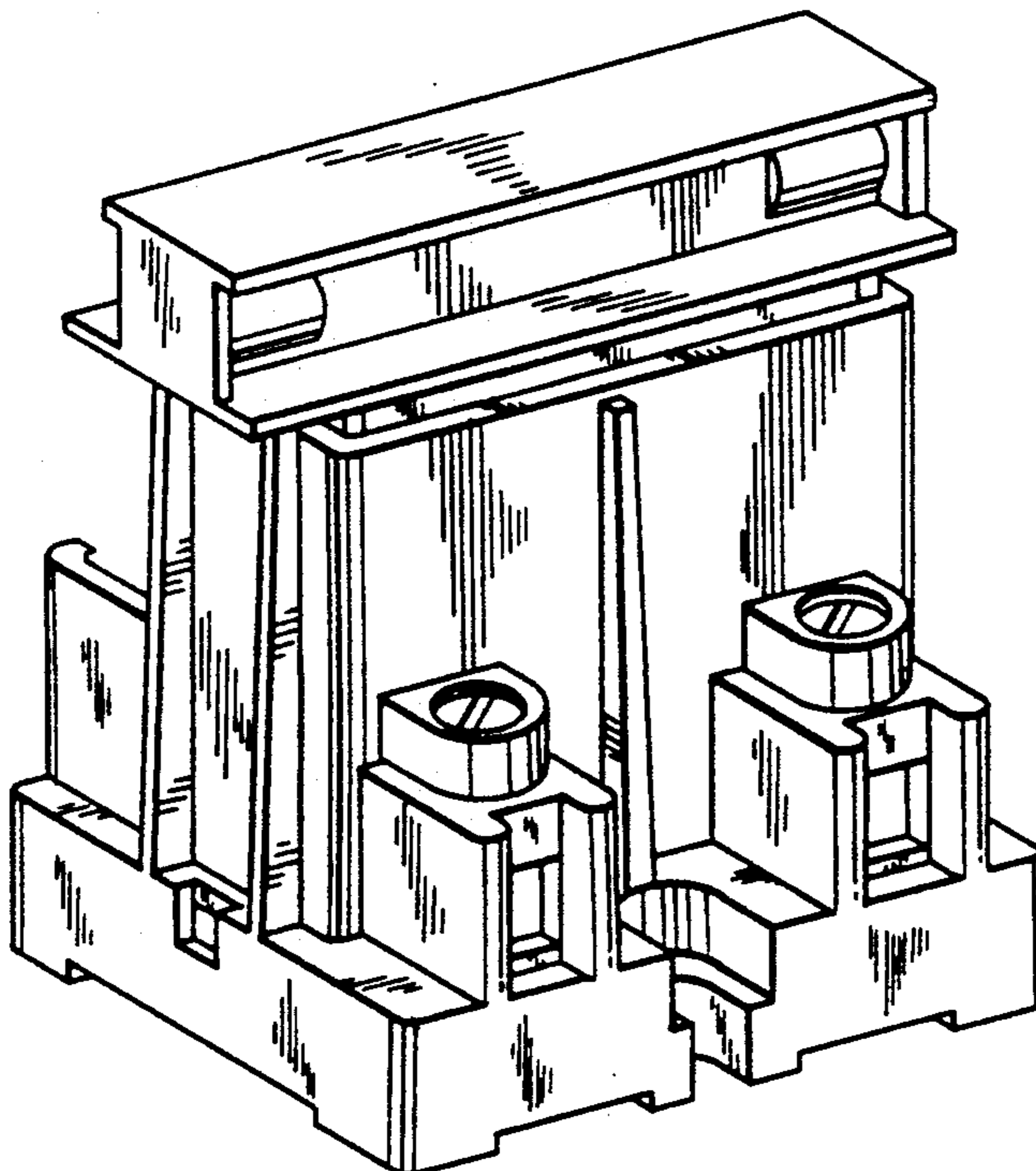
**DESCRIPTION**

FIG. 1 is a top, front perspective view of a non-fused disconnect showing my new design;  
FIG. 2 is a top plan view thereof;  
FIG. 3 is a front elevational view thereof;  
FIG. 4 is a left side elevational view thereof;  
FIG. 5 is a right side elevational view thereof;  
FIG. 6 is a rear elevational view thereof;  
FIG. 7 is a bottom plan view thereof.

[56] **References Cited**

**U.S. PATENT DOCUMENTS**

D. 315,333	3/1991	Barbier et al. ....	D13/160
3,437,881	4/1969	Paganelli .....	361/356
3,454,836	7/1969	Norden .....	361/351
3,794,211	12/1988	Hibbert et al. ....	200/16 F



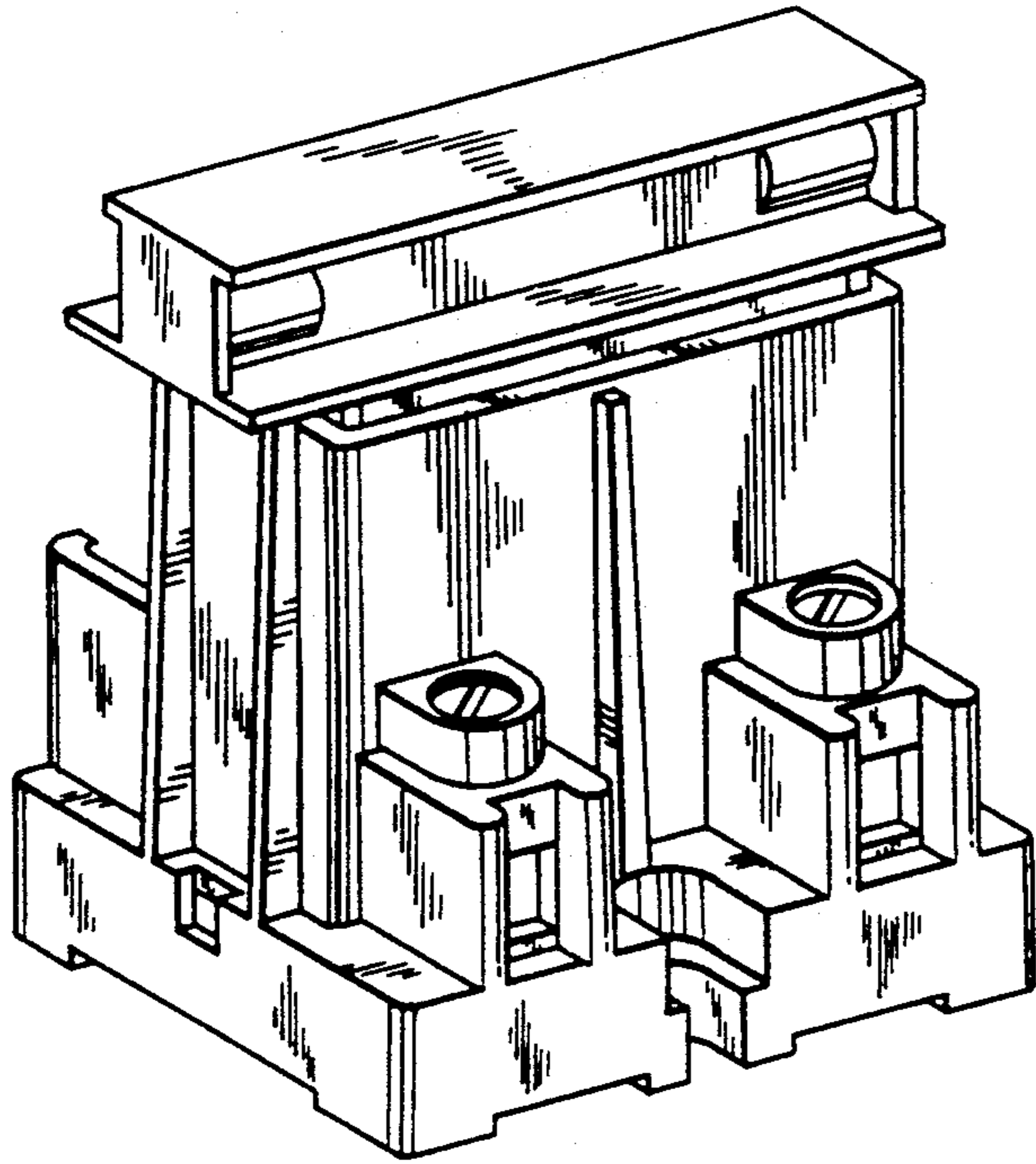


FIG. 1

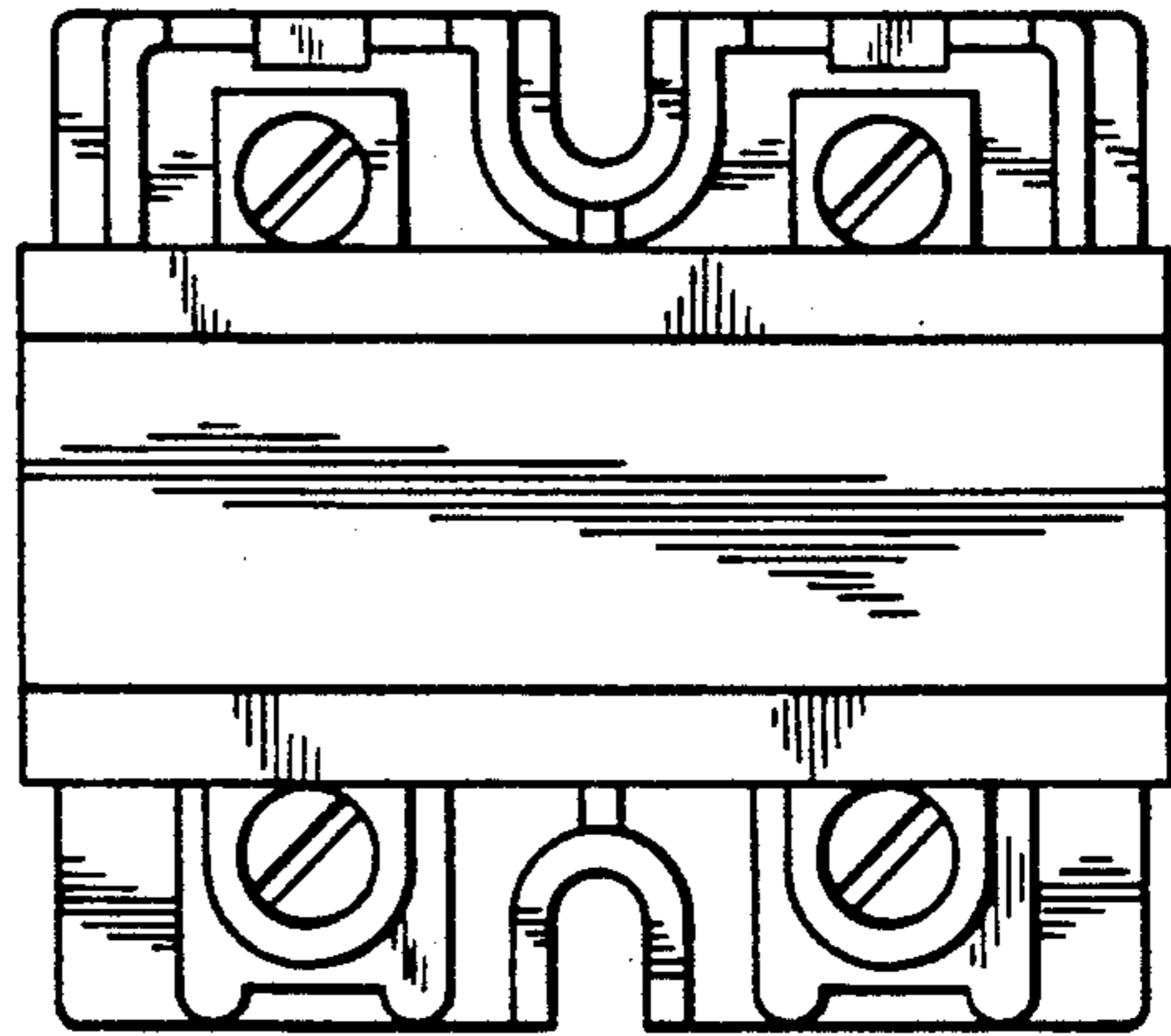


FIG. 2

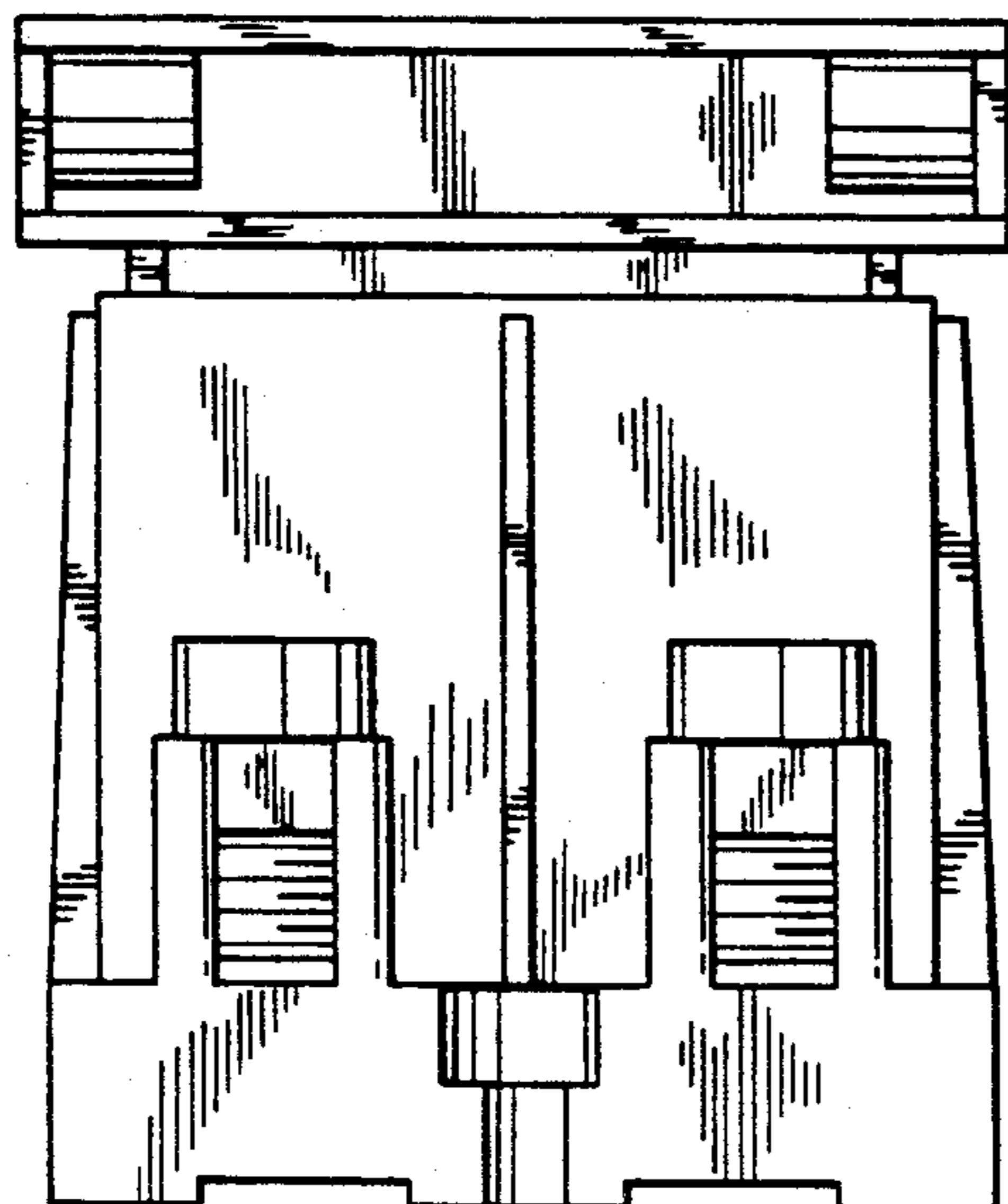


FIG. 3

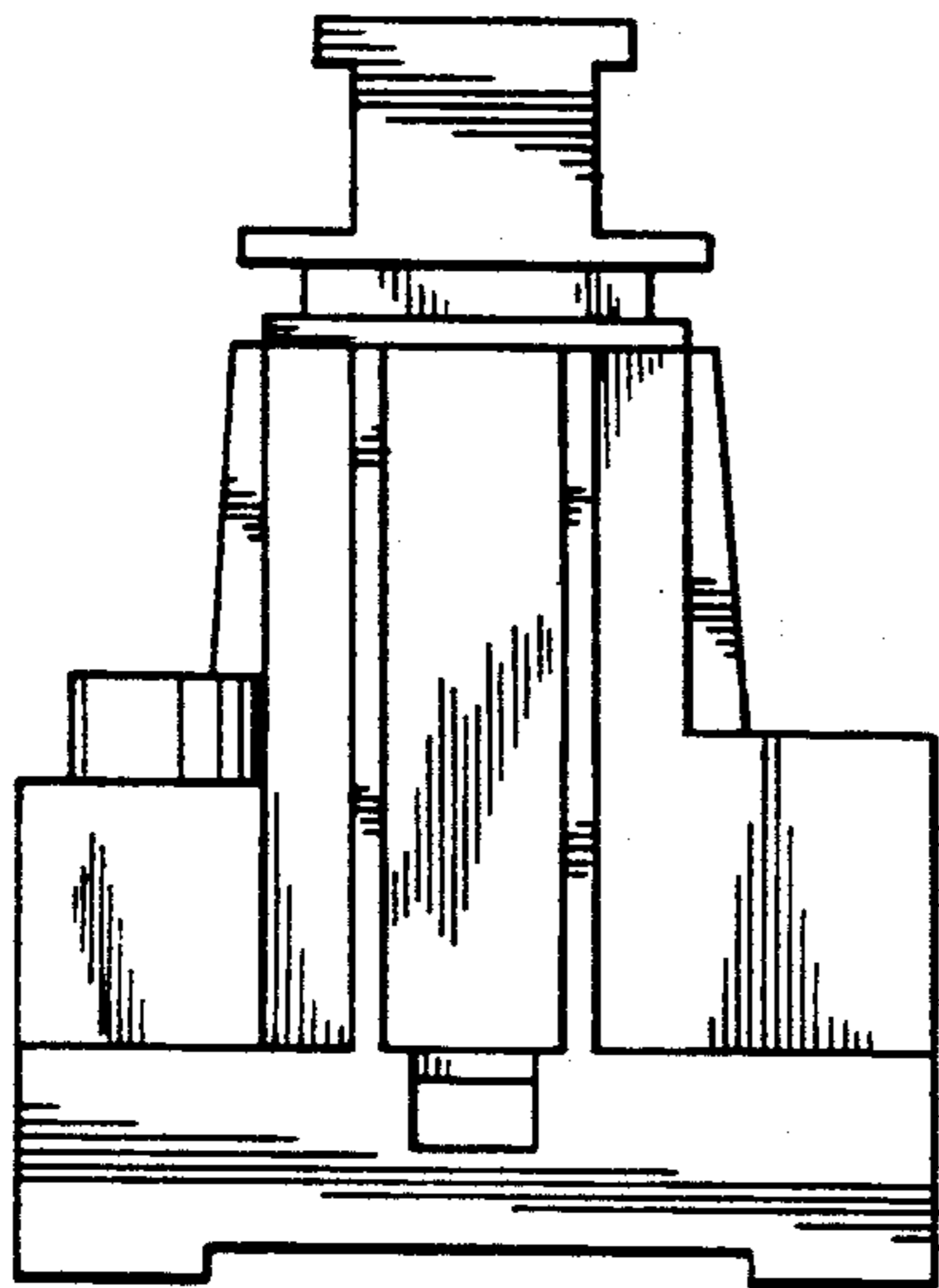


FIG. 4

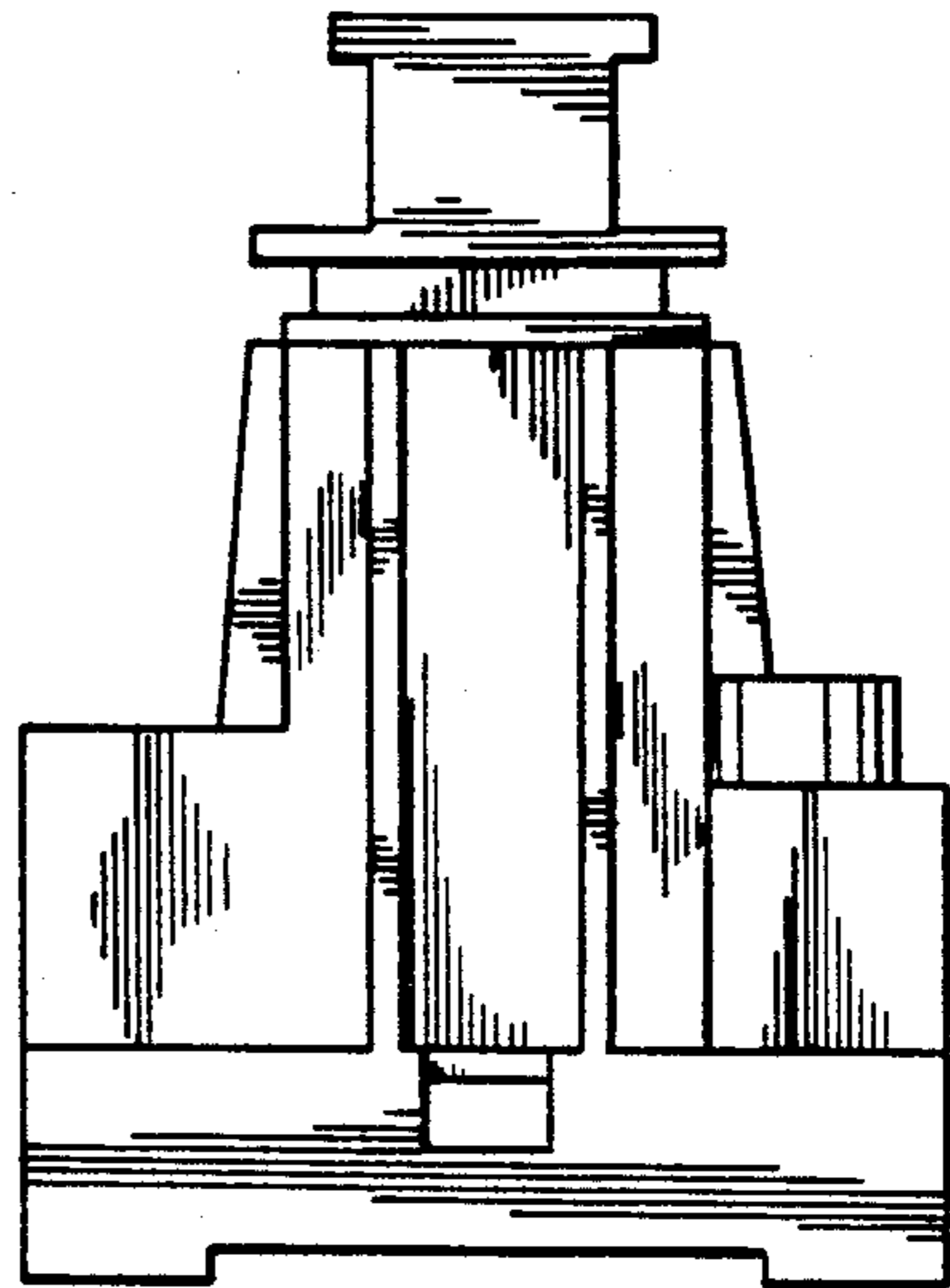


FIG. 5

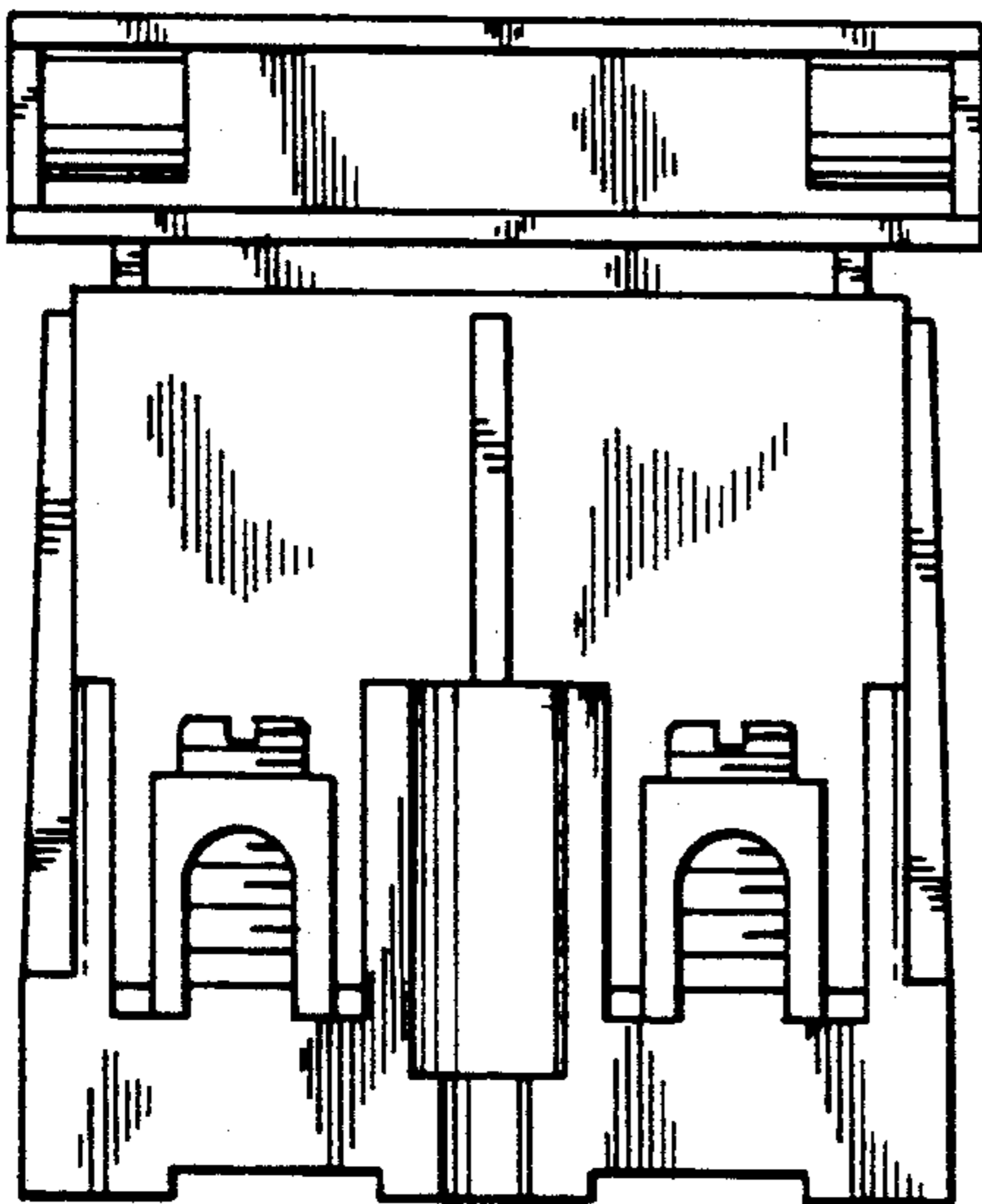


FIG. 6

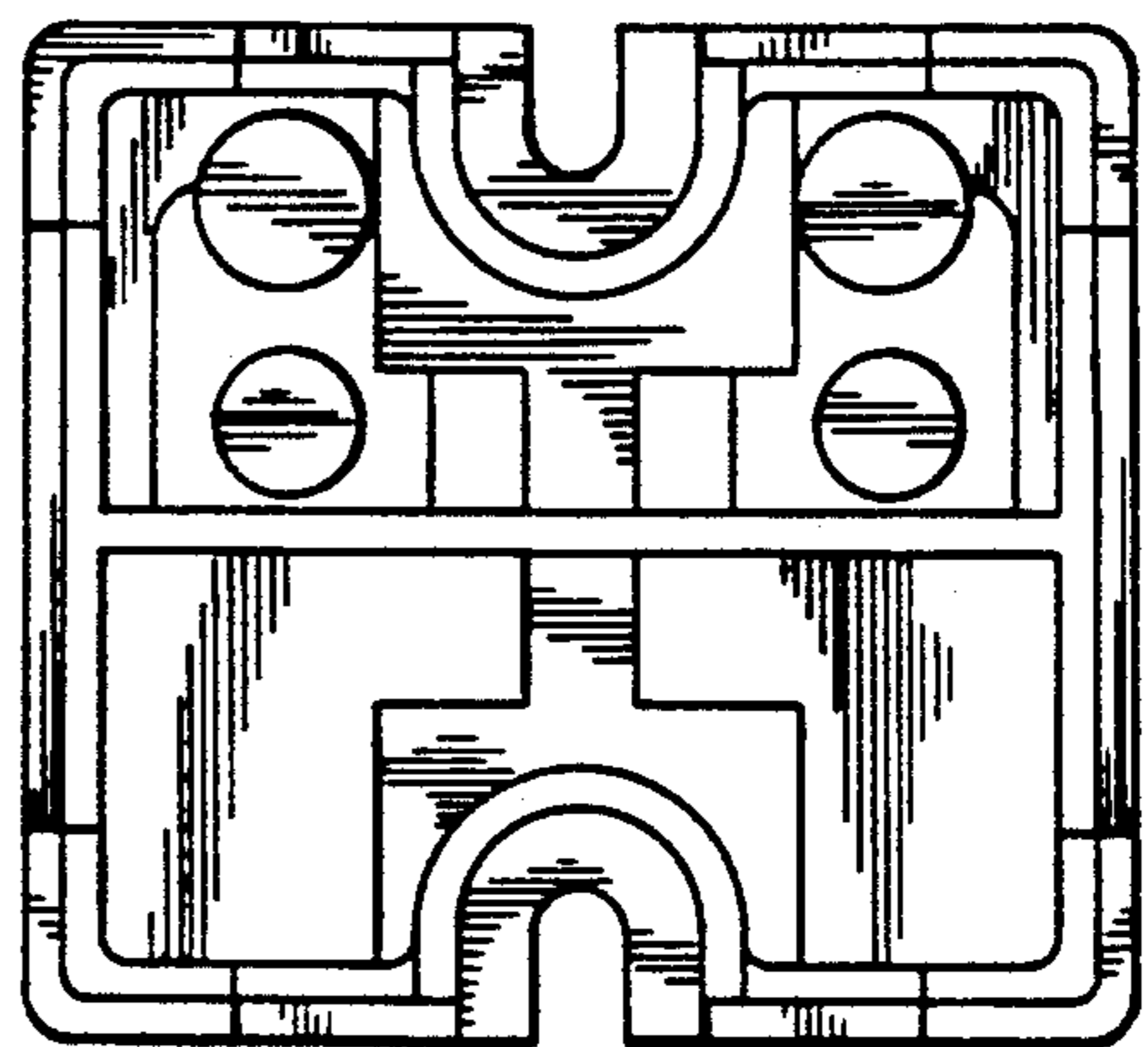


FIG. 7