



US00D323483S

# United States Patent [19]

Patten

[11] Patent Number: **Des. 323,483**

[45] Date of Patent: **\*\* Jan. 28, 1992**

## [54] INTEGRATED BOW SPRIT OR THE LIKE

[76] Inventor: **Gary R. Patten**, P.O. Box 7222,  
Jacksonville, Fla. 32238

[\*\*] Term: **14 Years**

[21] Appl. No.: **430,478**

[22] Filed: **Nov. 2, 1989**

[52] U.S. Cl. .... **D12/317; D8/356;**  
**D34/33**

[58] Field of Search ..... **D22/199; 114/255, 210,**  
**114/39.1, 56, 230, 270, 294; D34/33, 35, 36;**  
**D12/317; D8/356**

## [56] **References Cited**

### **U.S. PATENT DOCUMENTS**

D. 259,240	5/1981	Myron .....	D8/356
D. 278,171	3/1985	Titina .....	D34/33
4,162	8/1883	Clark .....	114/210
4,057,025	11/1977	Piotrowski .....	114/210
4,354,447	10/1982	Hultgren .....	114/255
4,362,119	12/1982	Thimander .....	114/210

## OTHER PUBLICATIONS

Fore and Aft, 1984, p. 34, bow roller, circled at top of page.

Defender Industries, Inc., 1983, p. 34, bow/stern, circled on left hand side.

*Primary Examiner*—Wallace R. Burke

*Assistant Examiner*—H. Baynham

*Attorney, Agent, or Firm*—Arthur G. Yeager

## [57] **CLAIM**

The ornamental design for integrated bow sprit or the like, as shown.

## **DESCRIPTION**

FIG. 1 is a front perspective view of an integrated bow sprit showing my new design;

FIG. 2 is a left side elevational view thereof;

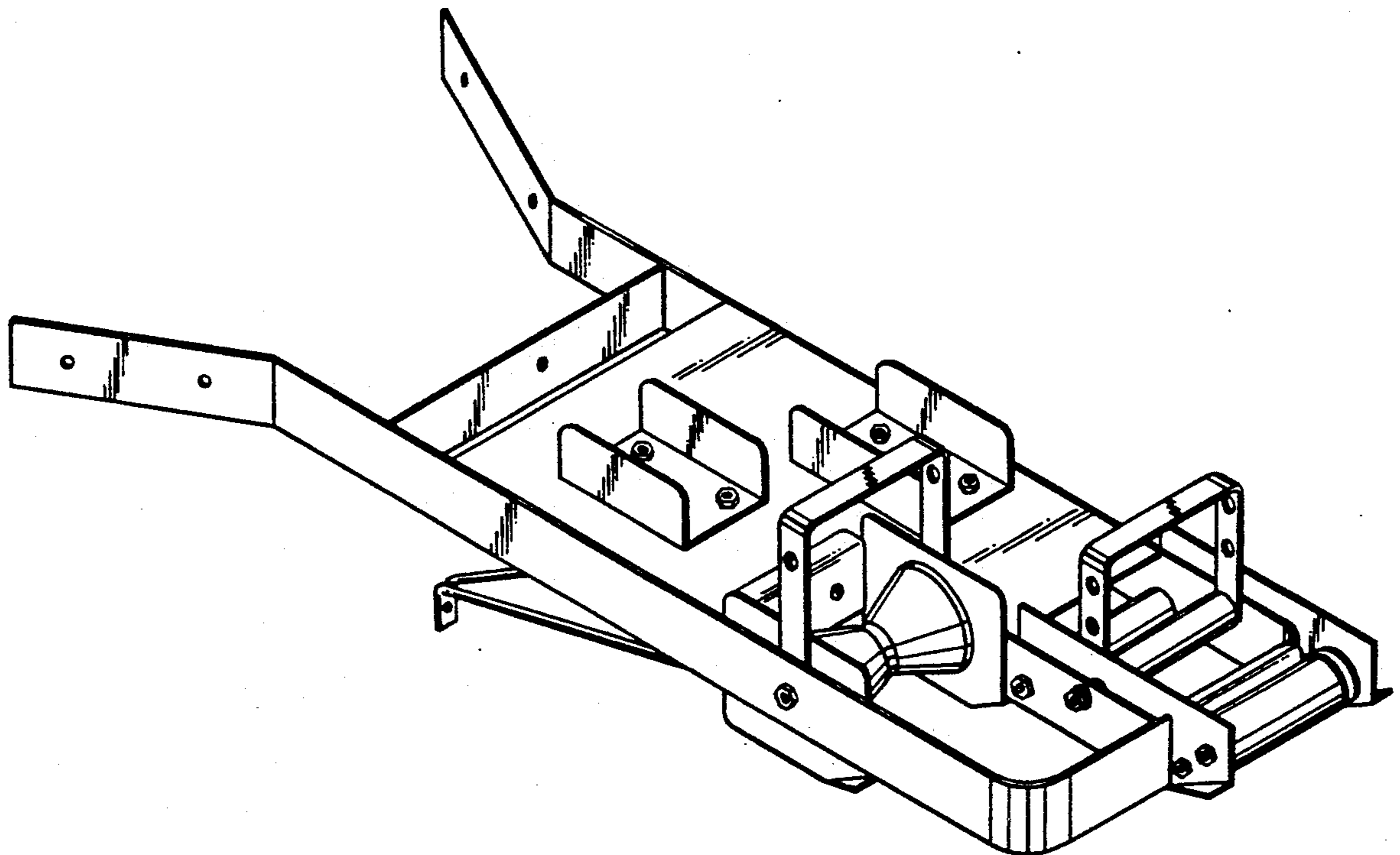
FIG. 3 is a right side elevational view thereof;

FIG. 4 is a top plan view thereof;

FIG. 5 is a bottom plan view thereof;

FIG. 6 is a front elevational view thereof; and

FIG. 7 is a rear elevational view thereof.



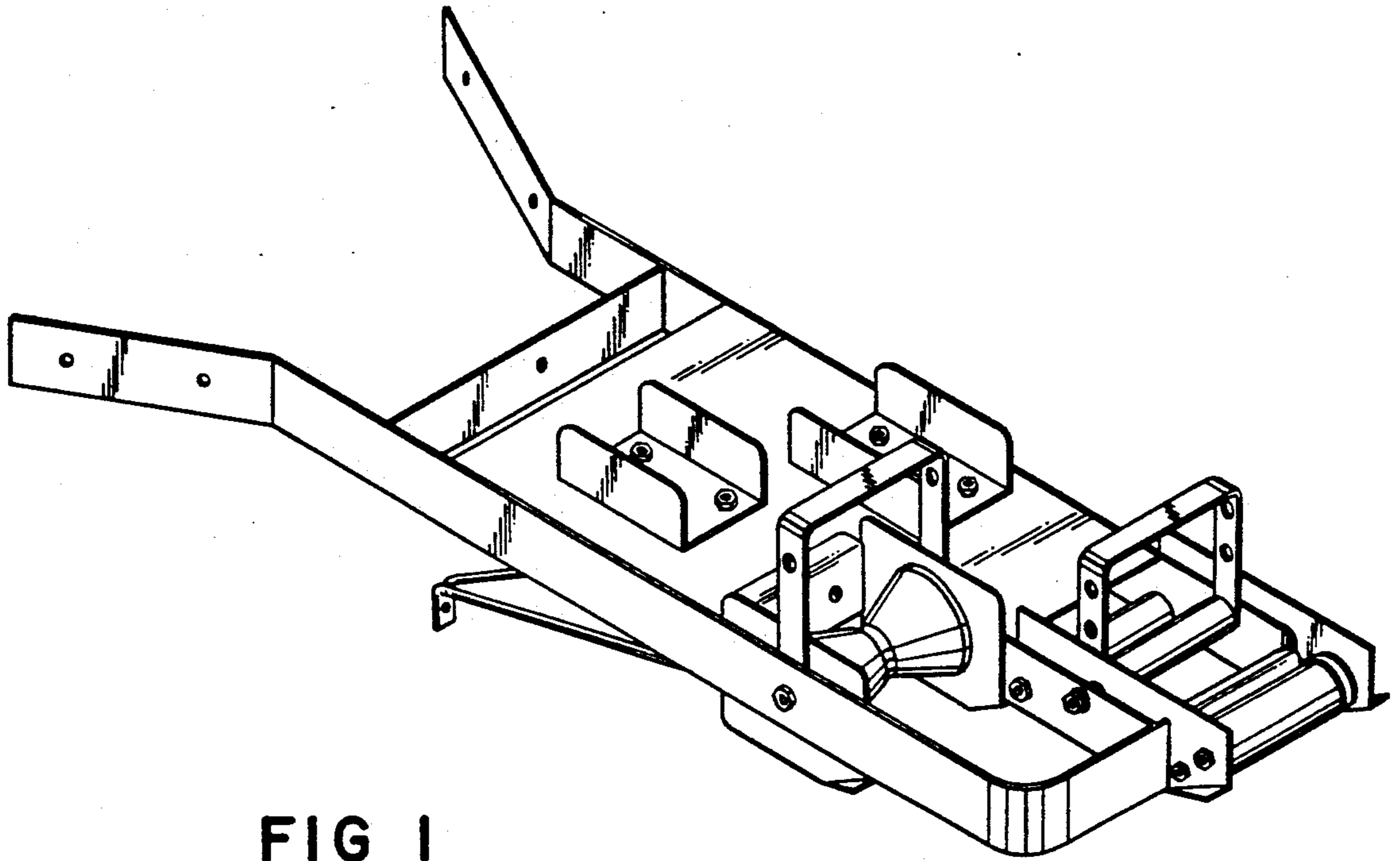


FIG 1

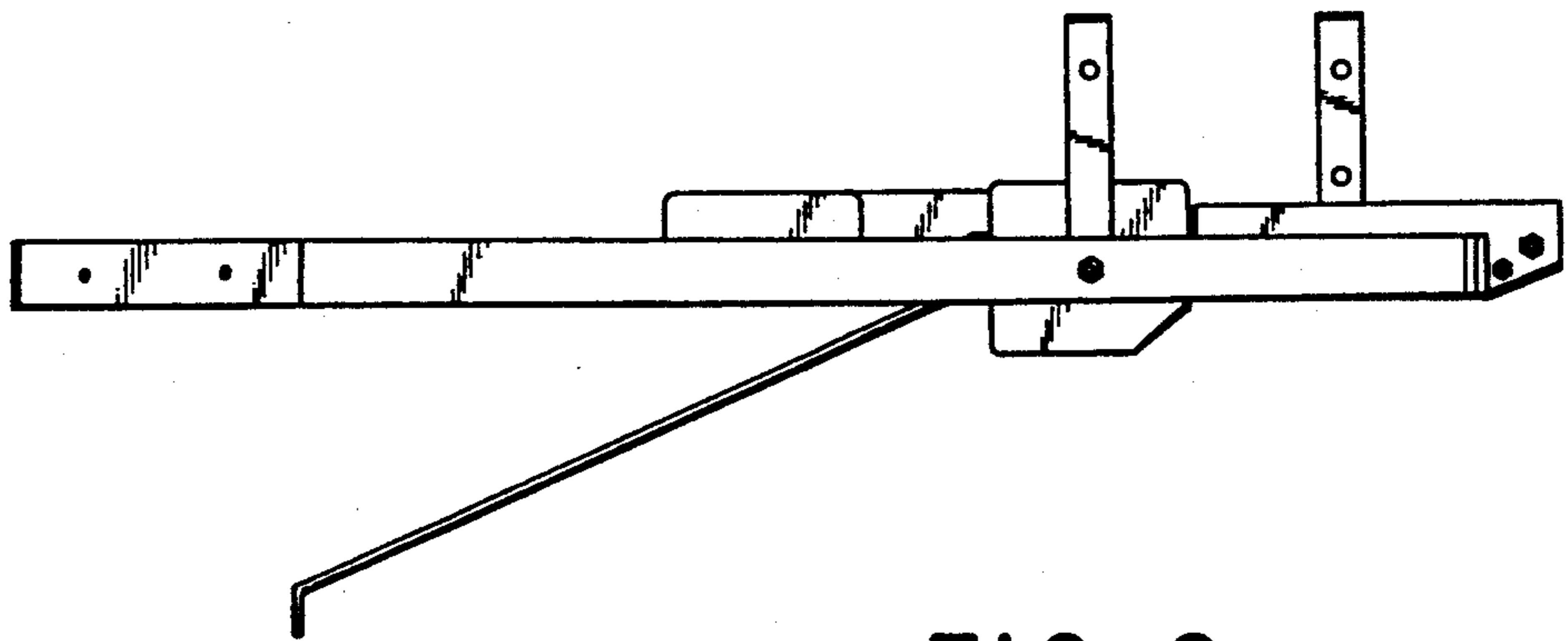


FIG 2

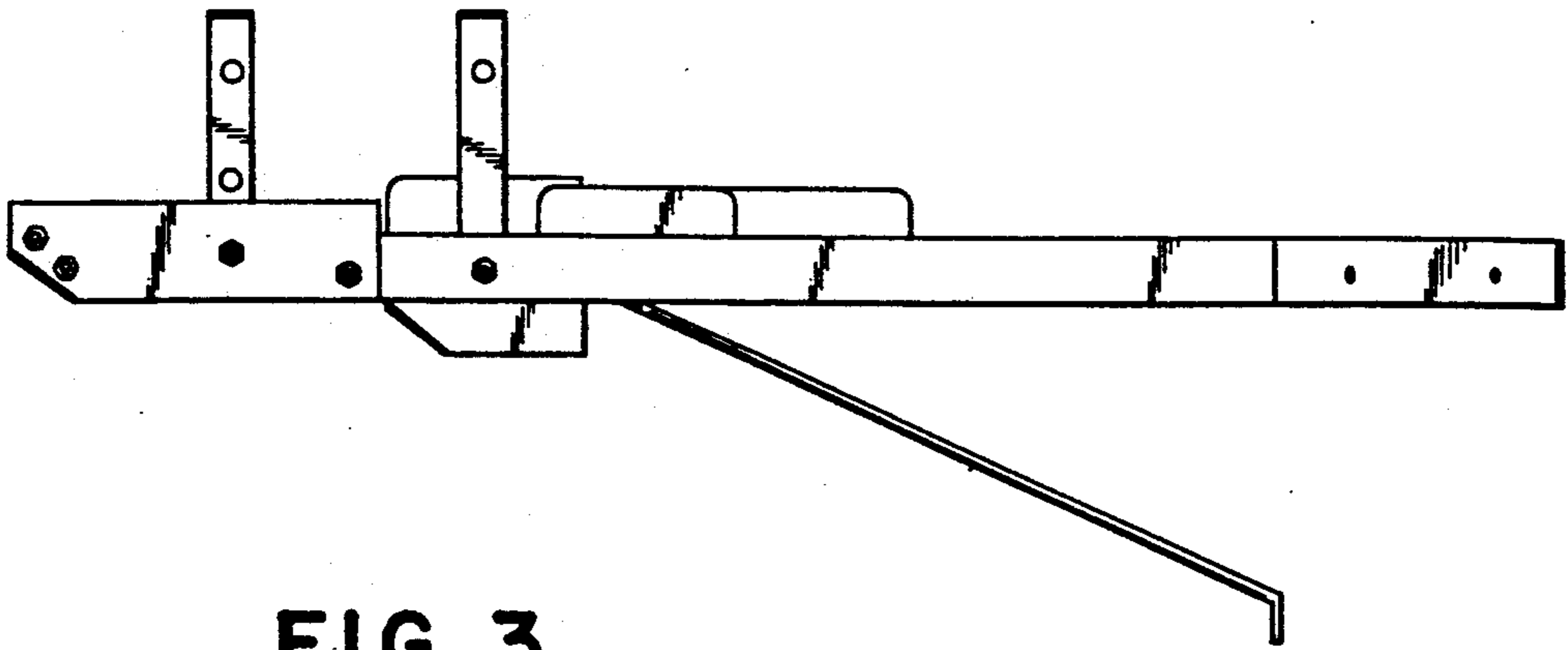


FIG 3

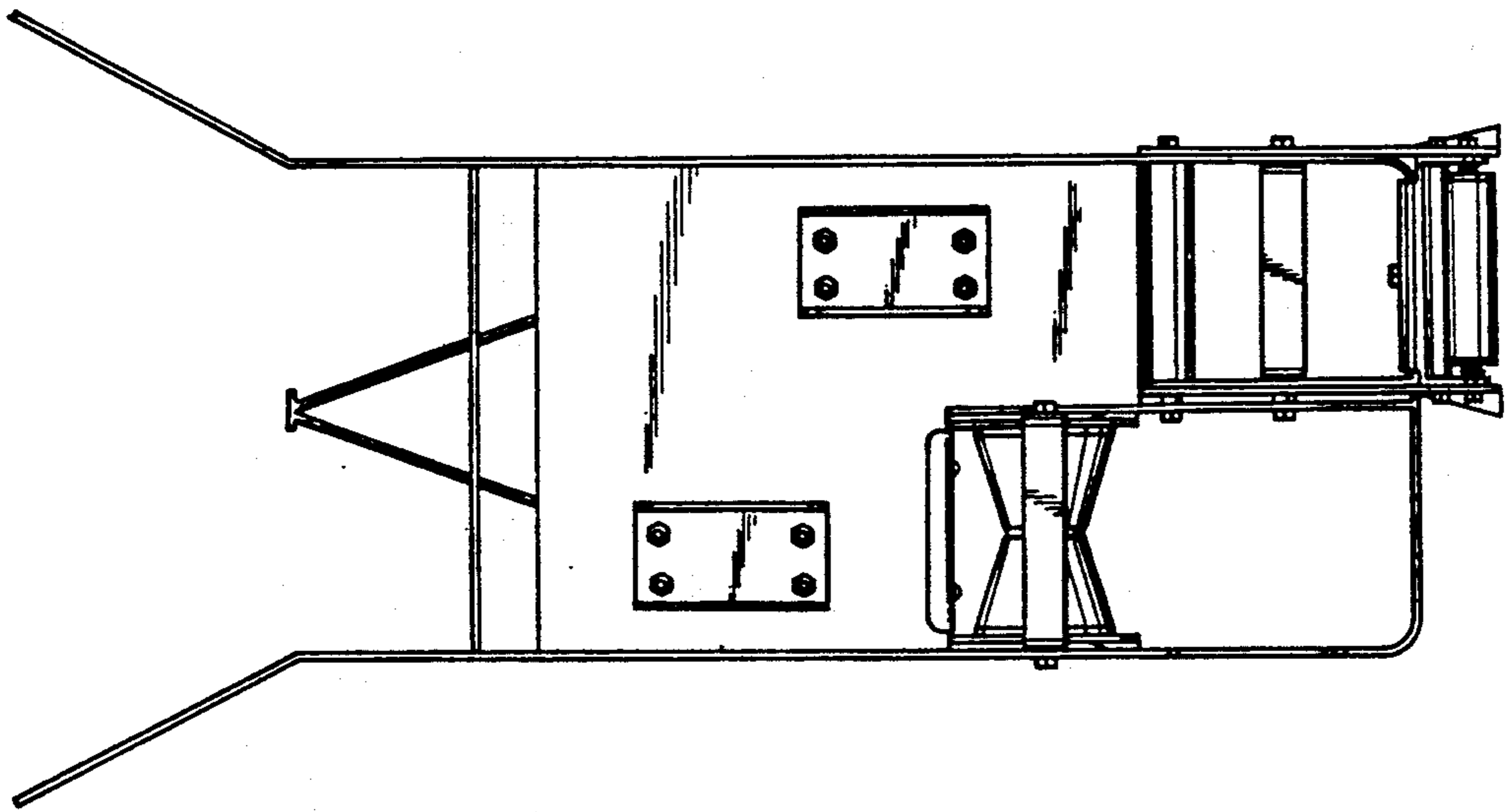


FIG 4

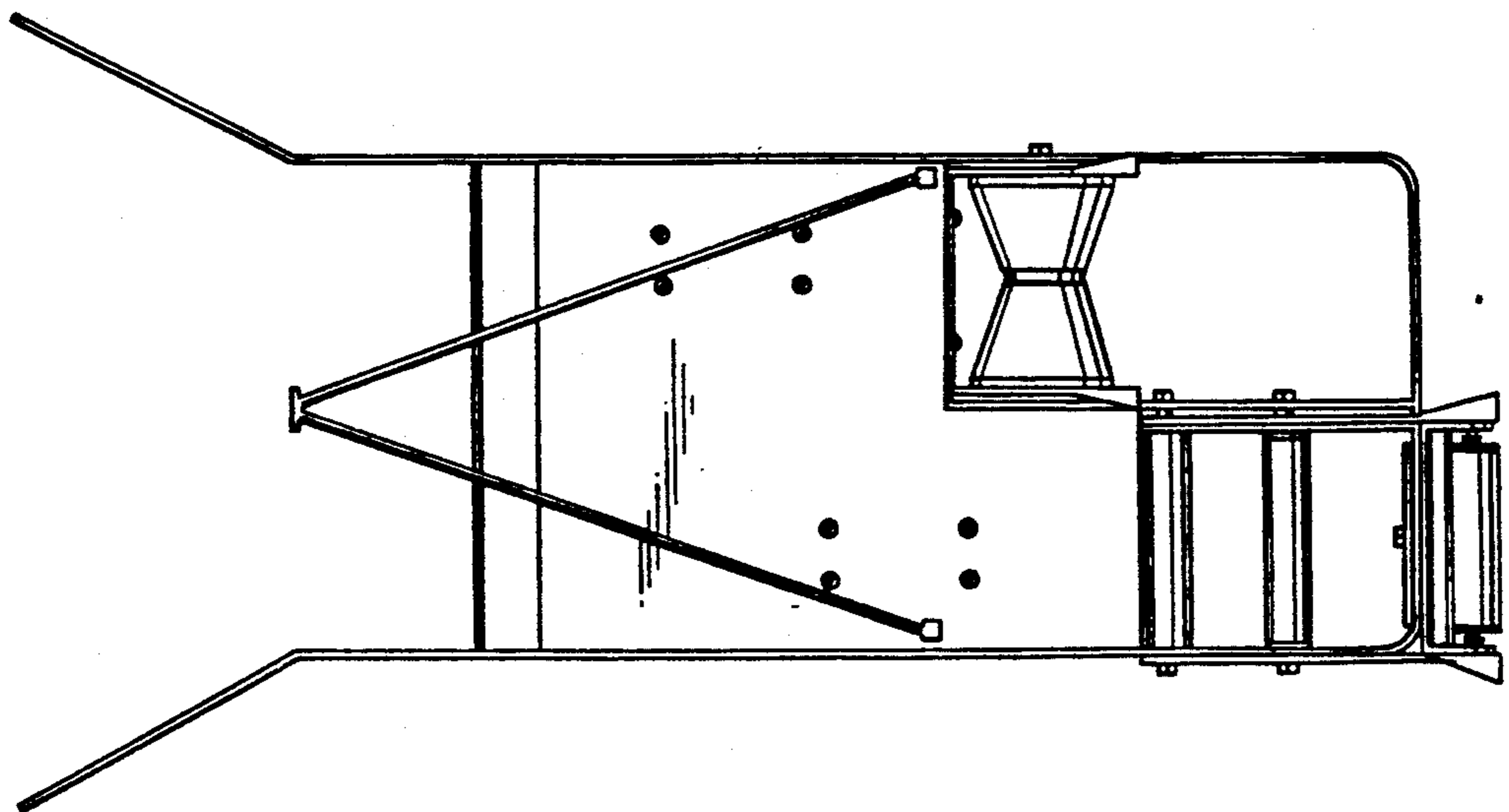


FIG 5

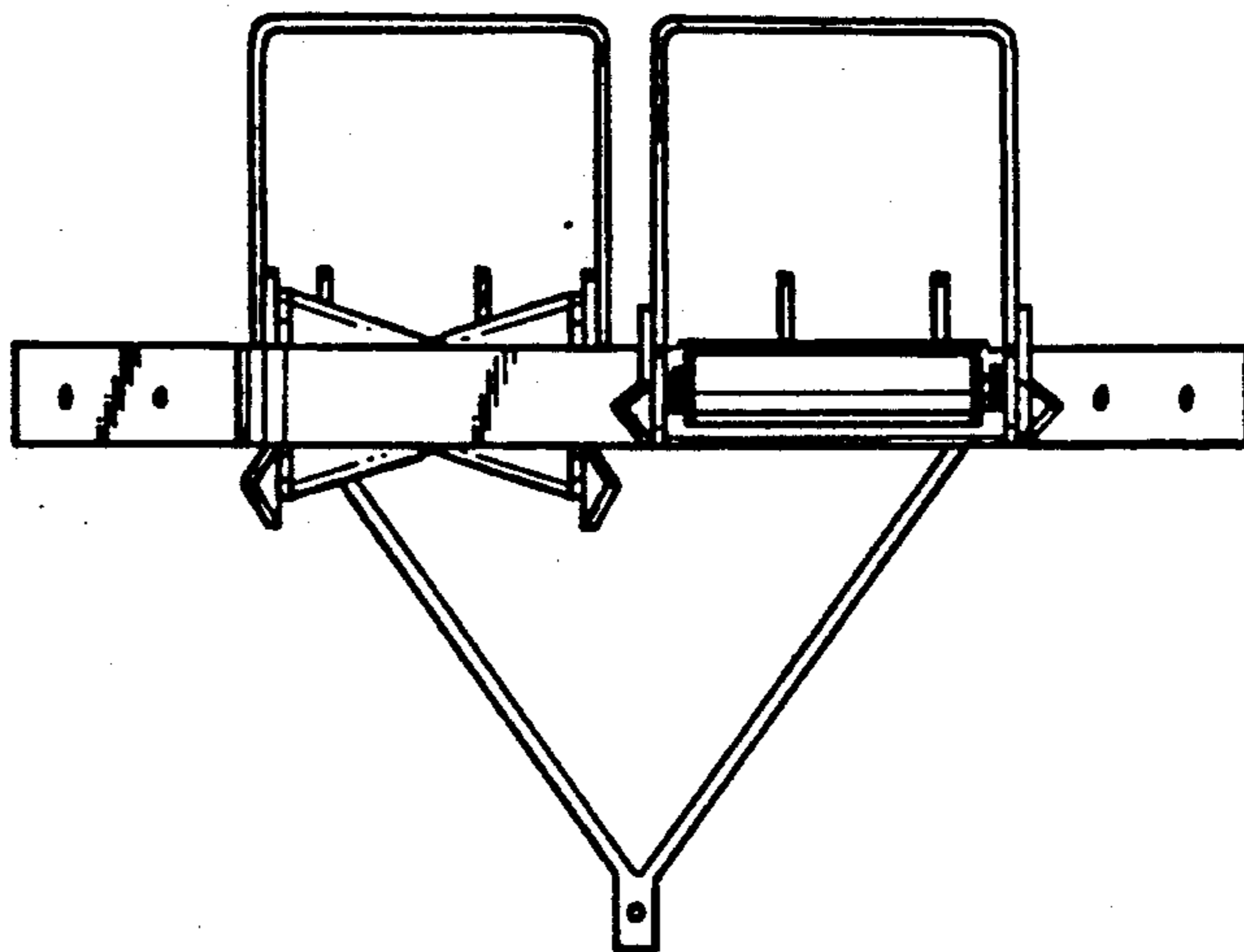


FIG 6

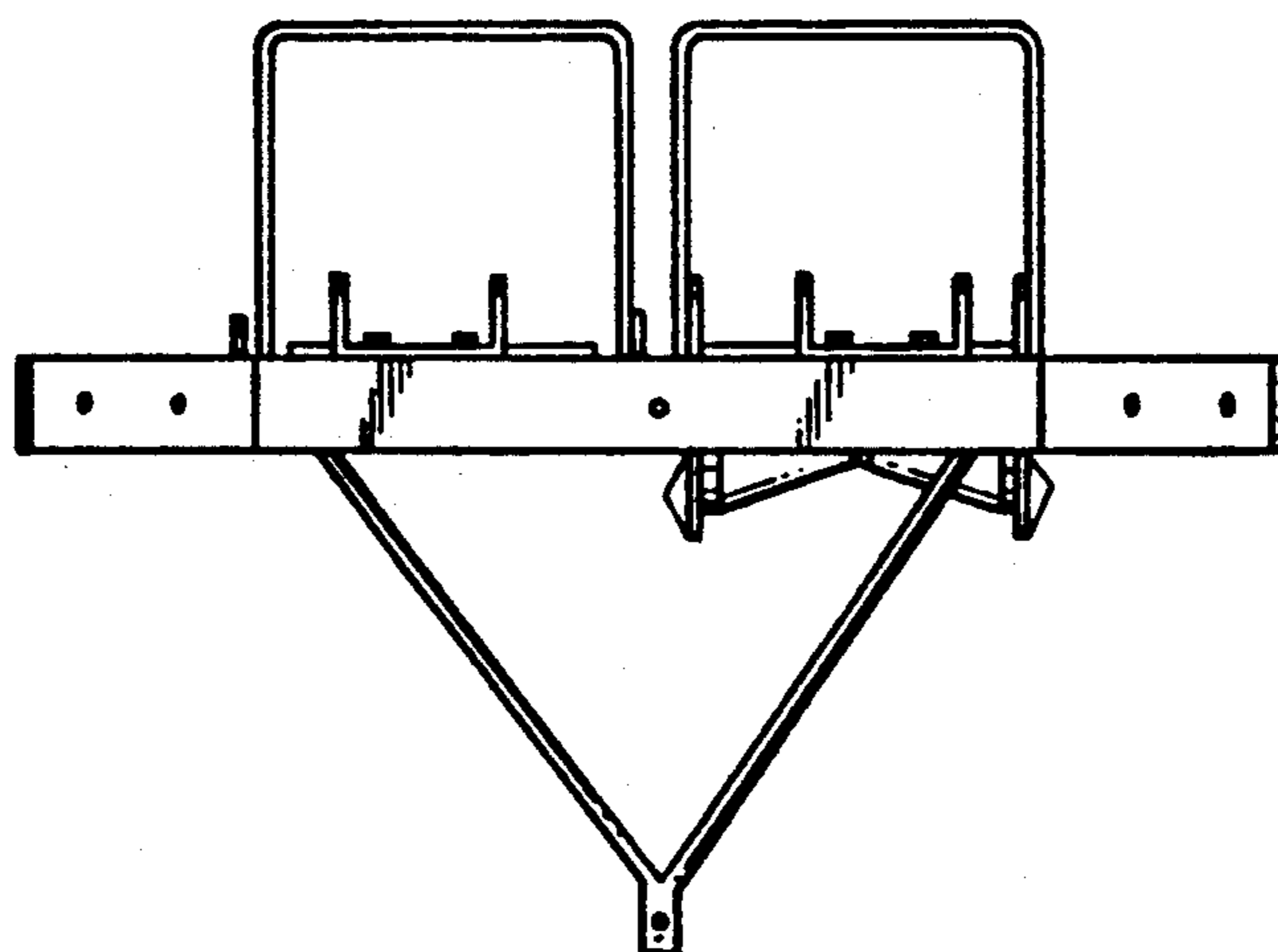


FIG 7