



US00D323476S

# United States Patent [19]

Shea, Sr.

[11] Patent Number: **Des. 323,476**

[45] Date of Patent: **\*\* Jan. 28, 1992**

[54] **MOTOR HOME**

[75] Inventor: **James Shea, Sr., Nappanee, Ind.**

[73] Assignee: **Gulf Stream Coach, Inc., Nappanee, Ind.**

[\*\*] Term: **14 Years**

[21] Appl. No.: **441,865**

[22] Filed: **Nov. 27, 1989**

[52] U.S. Cl. .... **D12/100**

[58] Field of Search ..... **D12/99, 100; 296/156, 296/164**

[56] **References Cited**

**U.S. PATENT DOCUMENTS**

D. 233,884 12/1974 Stewart ..... D12/99

**OTHER PUBLICATIONS**

R.V. Business, 9/2/88, p. 21, Komfort Model 30-SL Motor Home, bottom of page.

R.V. Business, 11/14/88, p. 7, Yellowstone Class A Motor Home, bottom right side of page.

R.V. Business, 2/6/89, p. 8, Maxum Class A Motor Home, top left side of page.

*Primary Examiner*—James M. Gandy  
*Attorney, Agent, or Firm*—James D. Hall

[57] **CLAIM**

The ornamental design for a motor home, as shown and described.

**DESCRIPTION**

FIG. 1 is a perspective view of the motor home showing my new design;

FIG. 2 is a right side elevational view thereof;

FIG. 3 is a top plan view thereof;

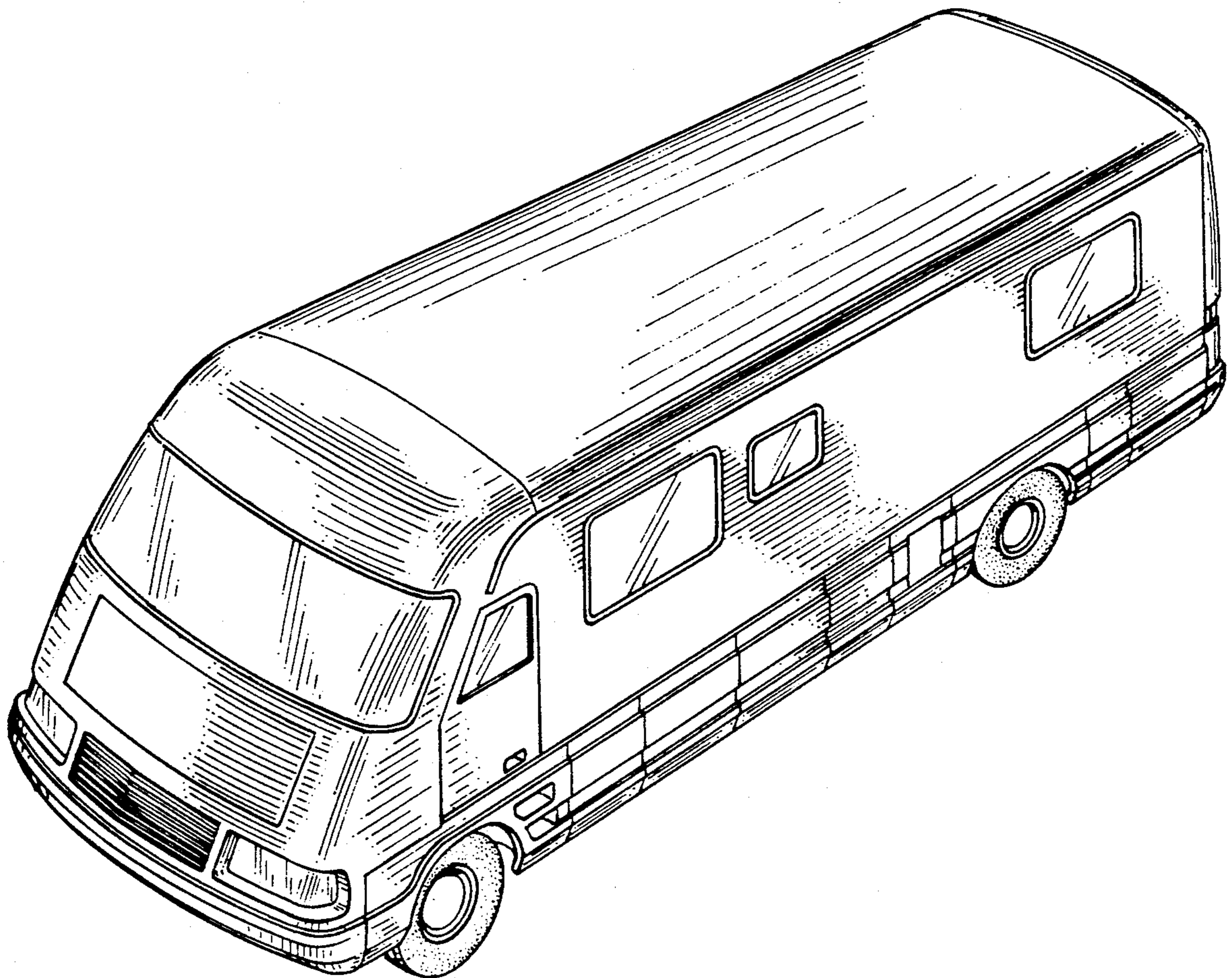
FIG. 4 is a left side elevational view thereof;

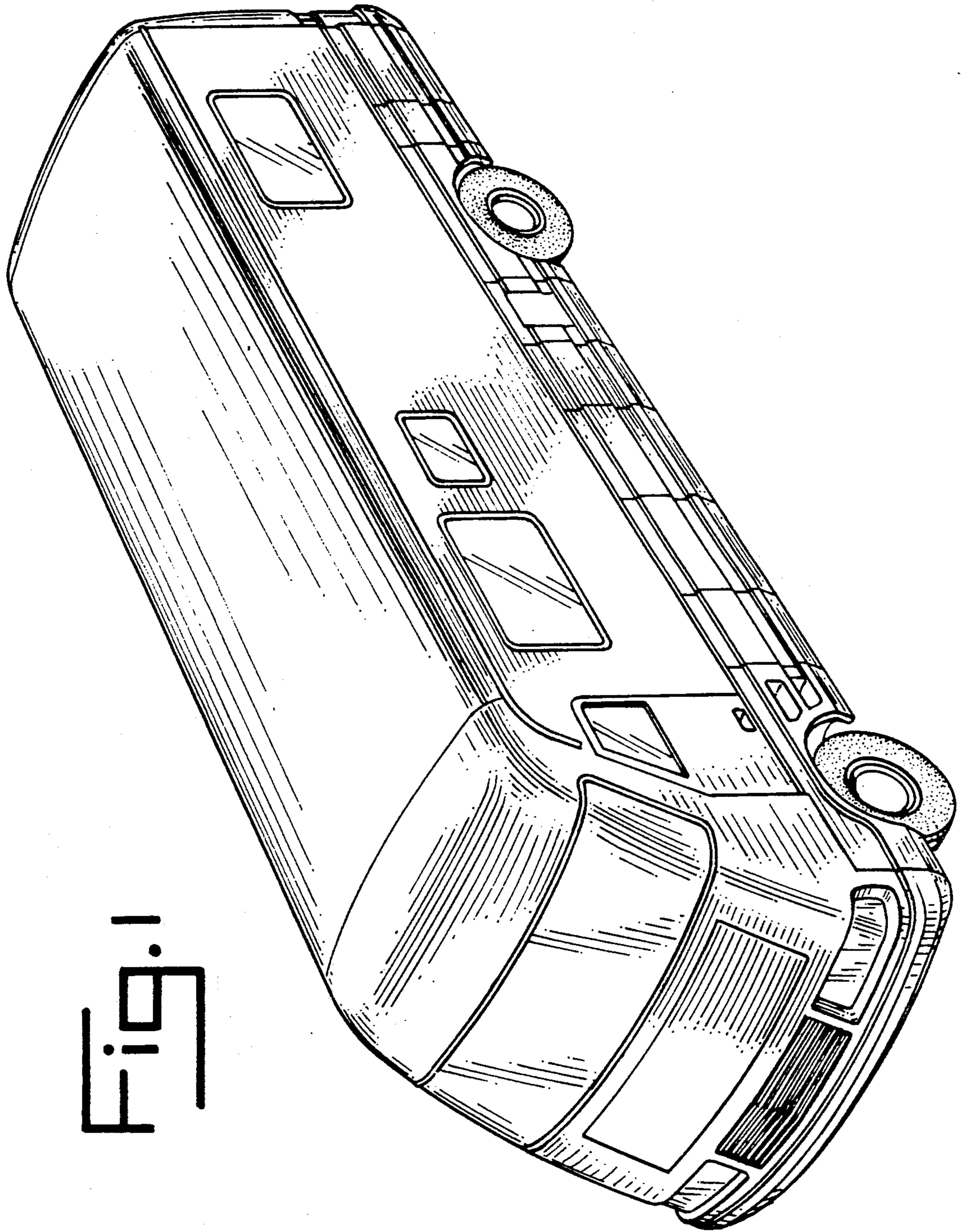
FIG. 5 is a front end elevational view thereof;

FIG. 6 is a rear end elevational view thereof;

FIG. 7 is a perspective view thereof similar to FIG. 1 with the lower side compartment doors and front cap engine door in open condition; and

FIG. 8 is a perspective view thereof of the side opposite to that shown in FIGS. 1 and 7 with the lower side compartment doors in open condition.





191

Fig. 2

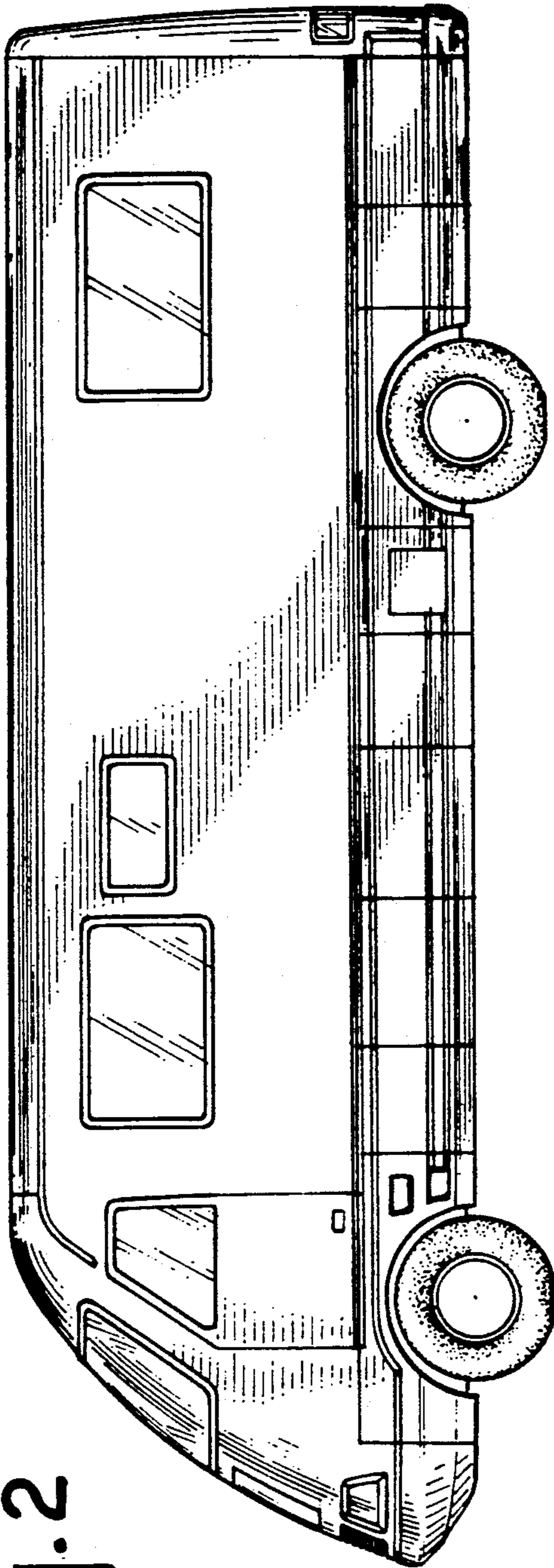


Fig. 3

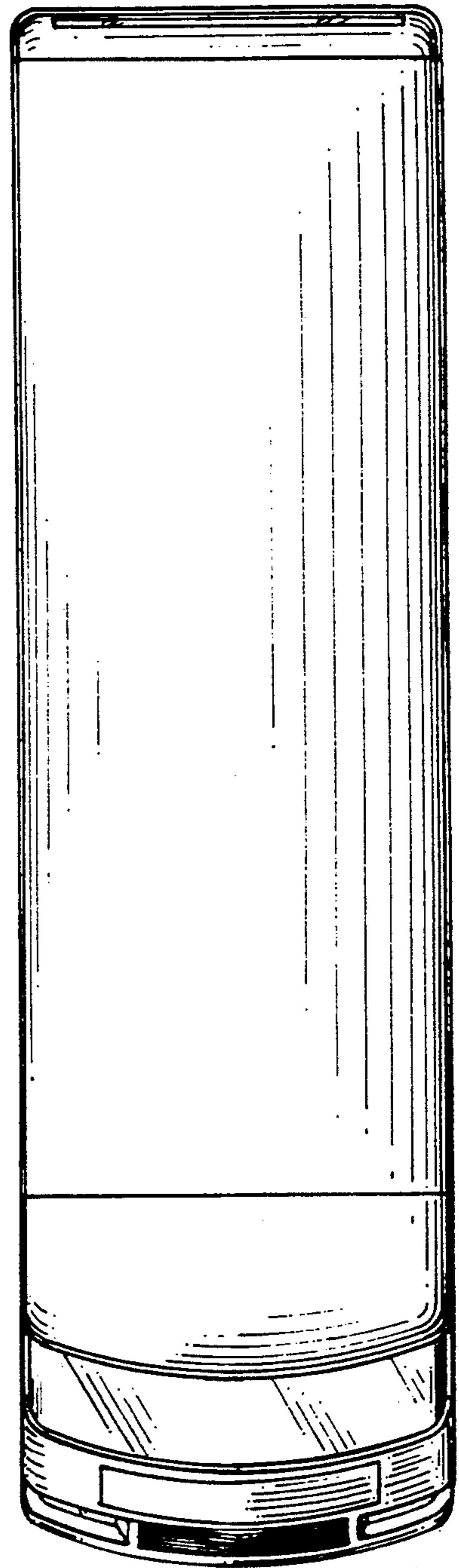


Fig. 4

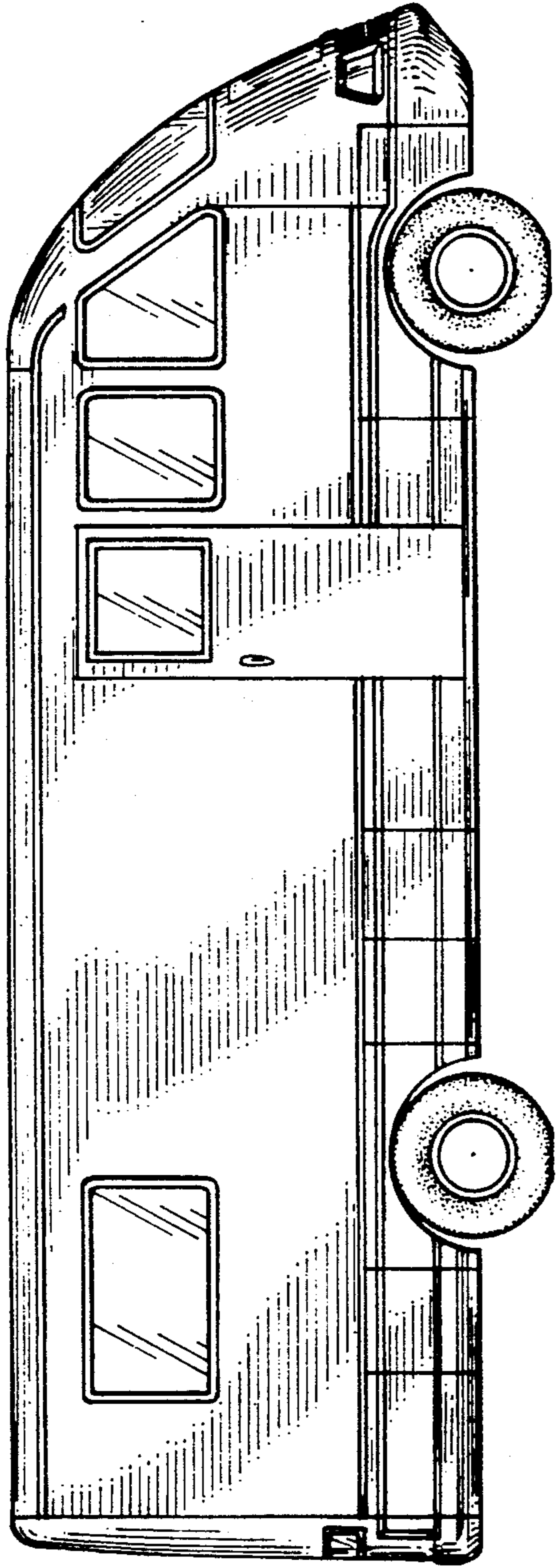


Fig. 6

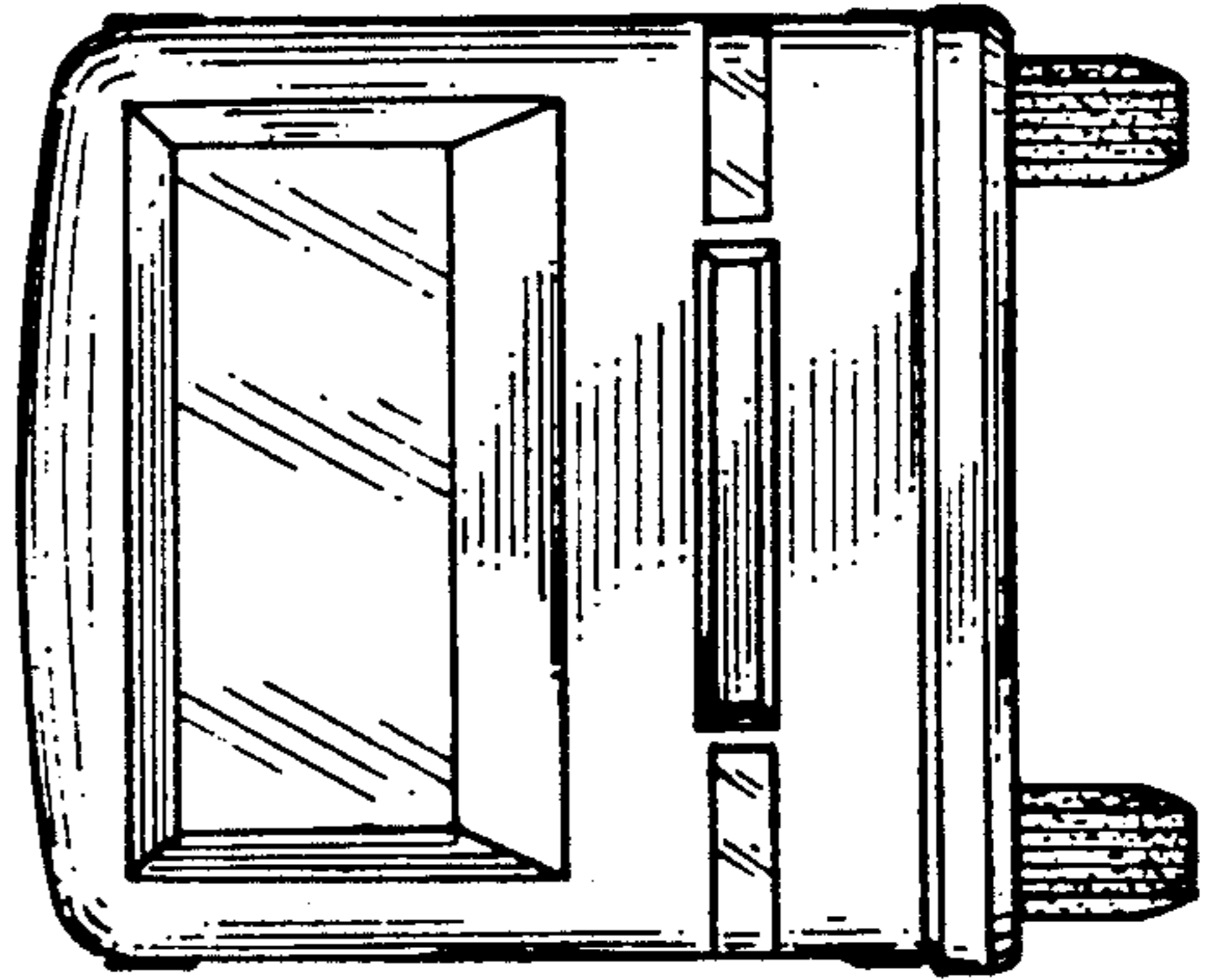
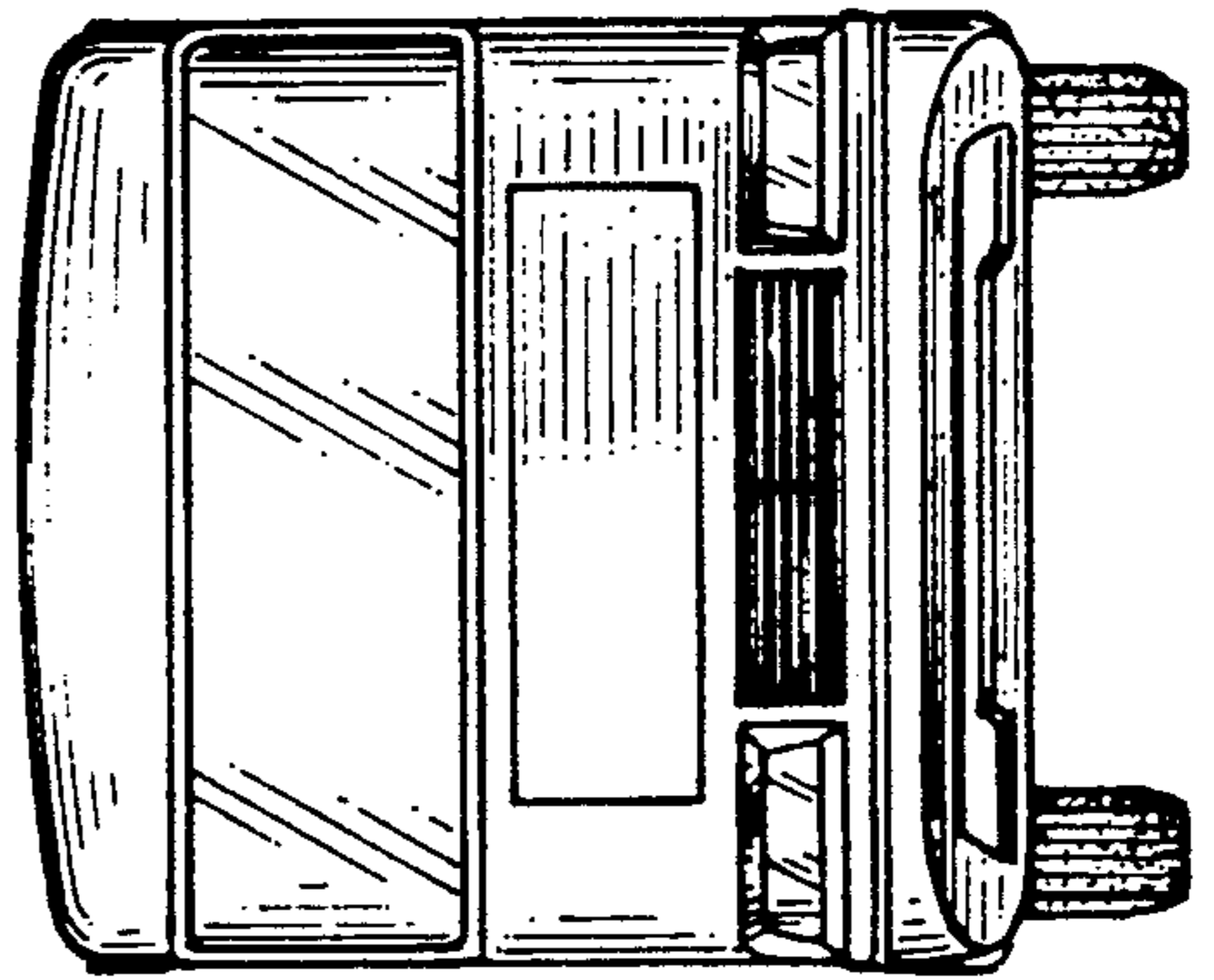


Fig. 5



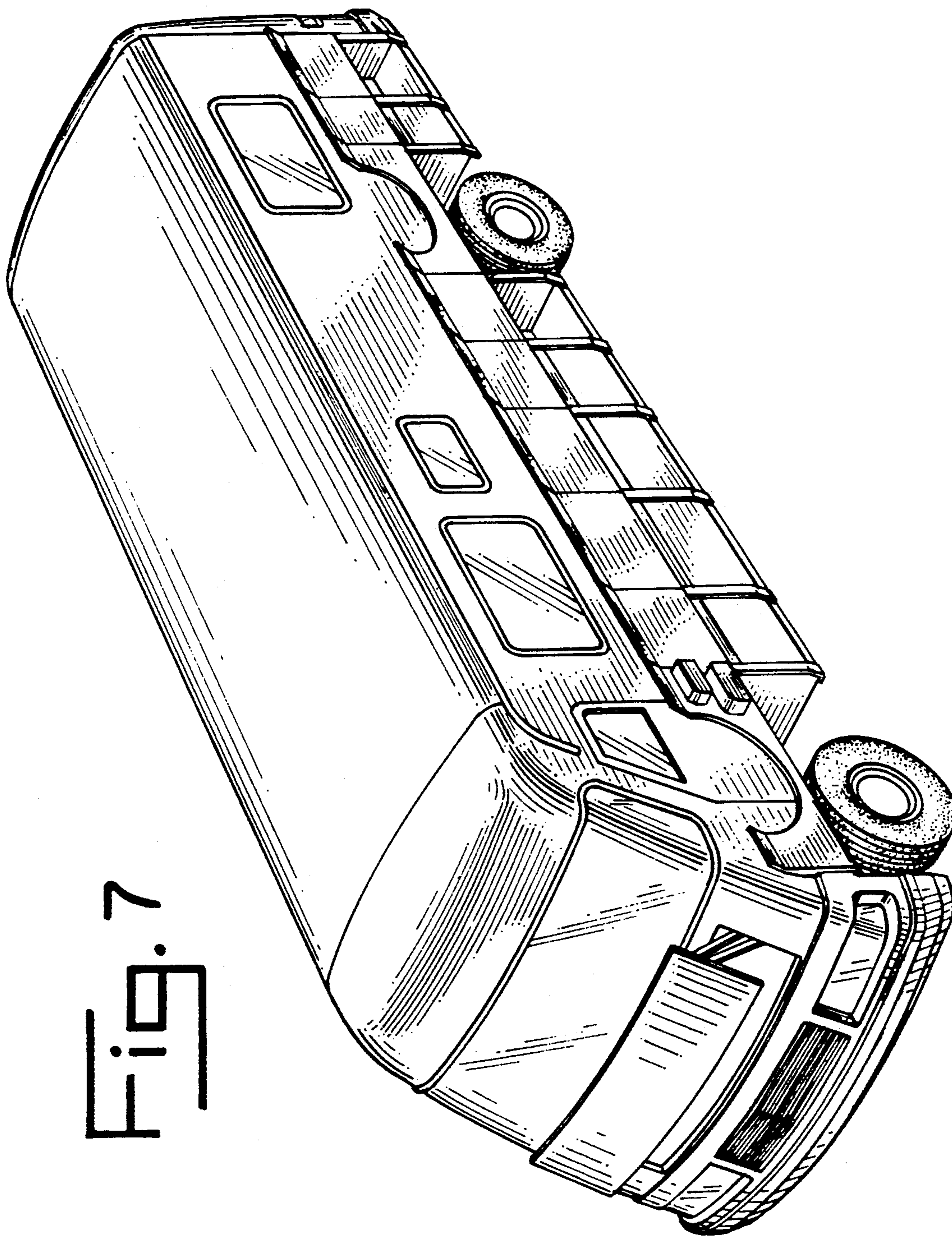


Fig. 7

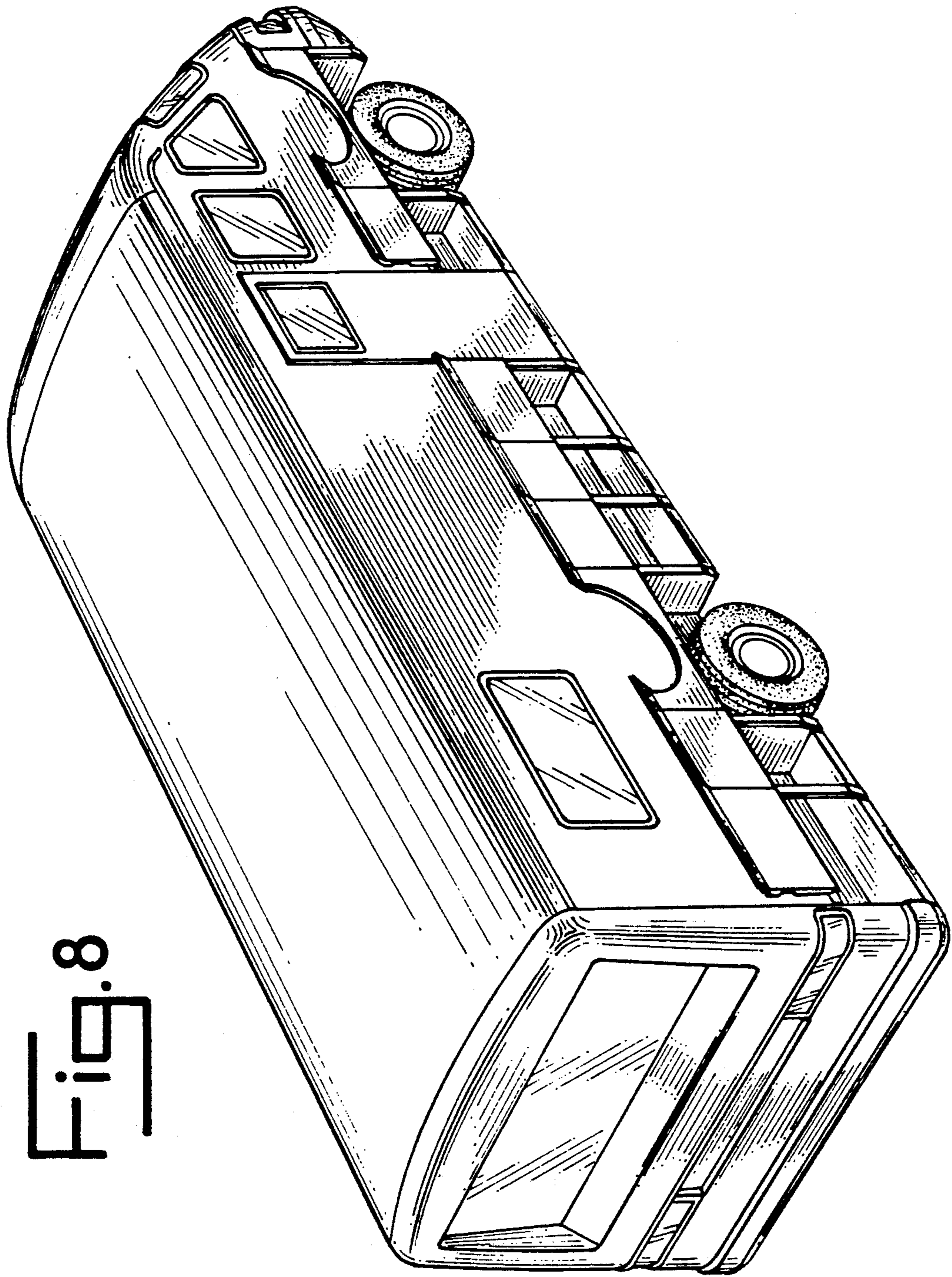


Fig. 8