



US00D323472S

# United States Patent [19]

[11] Patent Number: **Des. 323,472**

**Bende**

[45] Date of Patent: **\*\* Jan. 28, 1992**

- [54] MODULAR ARMY SERVICE STRIPE
- [76] Inventor: **Andras Bende**, 657 Glendale Rd., Franklin Lakes, N.J. 07417
- [\*\*] Term: **14 Years**
- [21] Appl. No.: **164,719**
- [22] Filed: **Mar. 7, 1988**
- [52] U.S. Cl. .... **D11/95; D11/1**
- [58] Field of Search ..... **D11/46, 61, 203, 95, D11/1-3; D18/27, 30; 24/49**

*Assistant Examiner—R. Seifert*  
*Attorney, Agent, or Firm—Siegmar Silber*

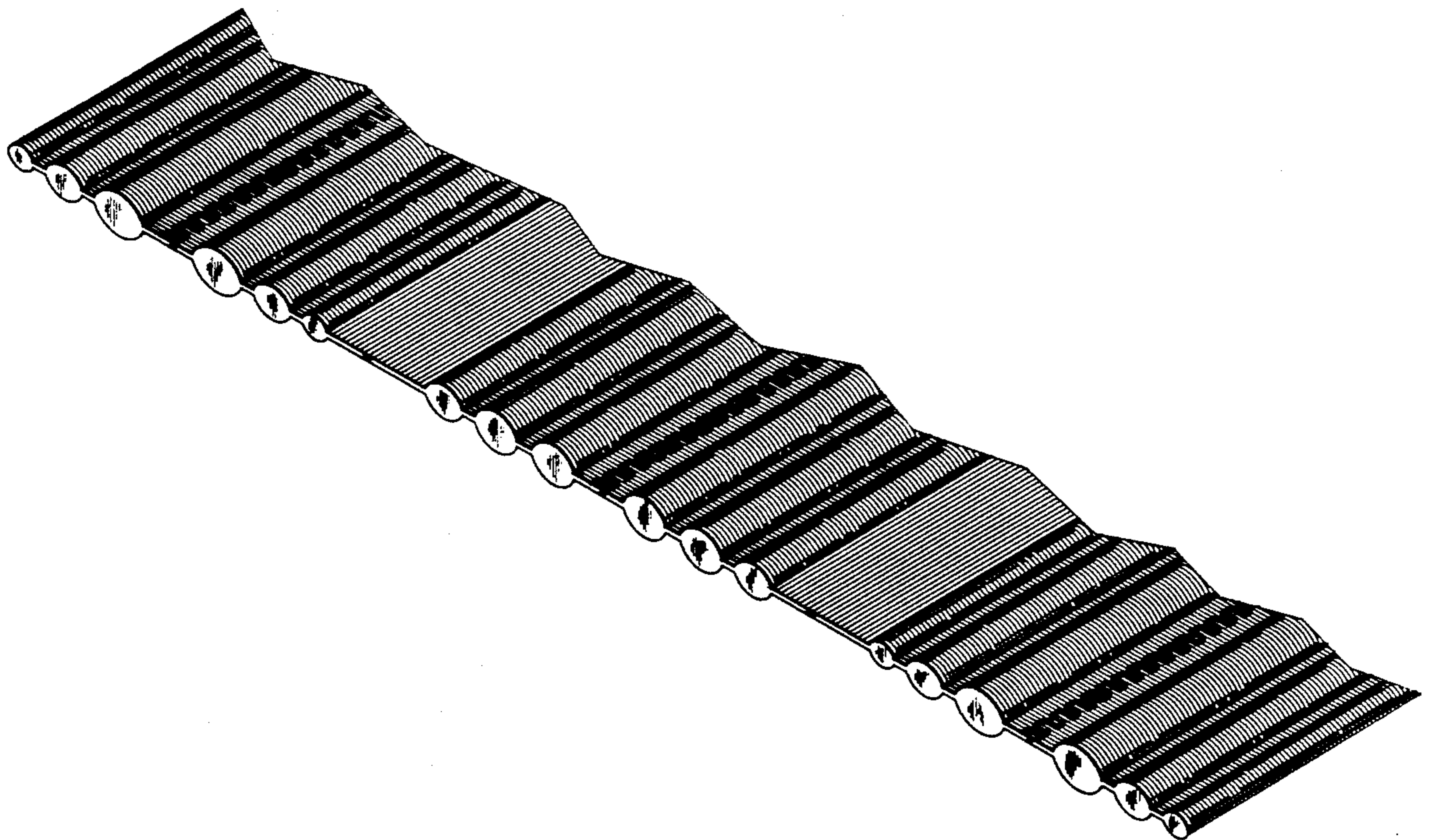
[57] **CLAIM**

The ornamental design for a modular army service stripe thereof, as shown and described.

**DESCRIPTION**

FIG. 1 is a top perspective view of a modular army service stripe showing my new design;  
 FIG. 2 is a bottom perspective view;  
 FIG. 3 is a perspective view of a modular army service stripe showing a second embodiment of my new design, the opposite side being the same;  
 FIG. 4 is a perspective view of a modular army service stripe showing a third embodiment of my new design, the opposite side being the same; and  
 FIG. 5 is a perspective view of a modular army service stripe showing a fourth embodiment of my new design, the opposite side being the same.

- [56] **References Cited**  
**PUBLICATIONS**
- National Geographic Magazine p. 418, 10-1934, Badge lower right of page.
- National Geographic Magazine-p. 419-10-1934, Badge lower center of page.
- Primary Examiner—A. Hugo Word*



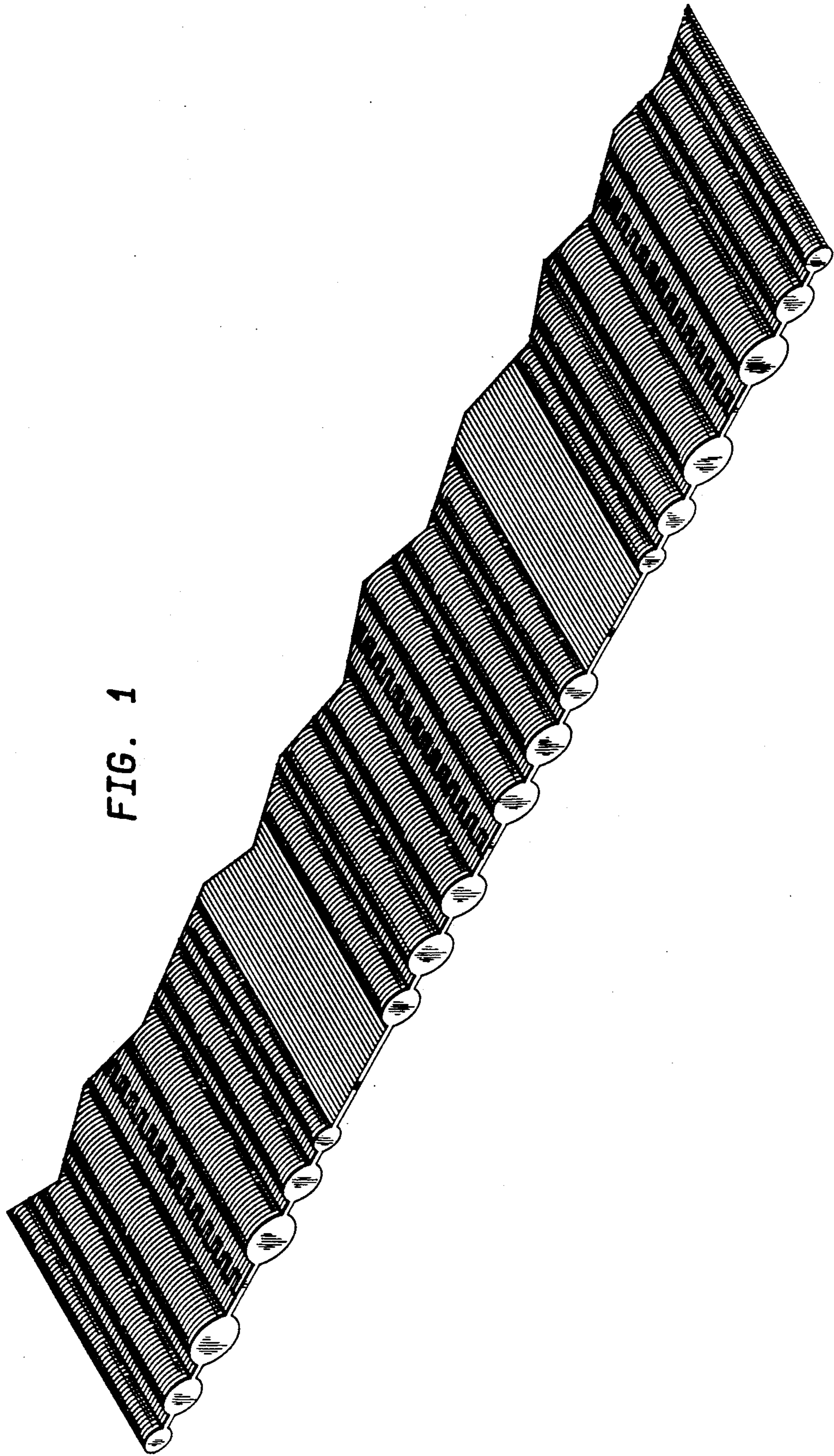


FIG. 1

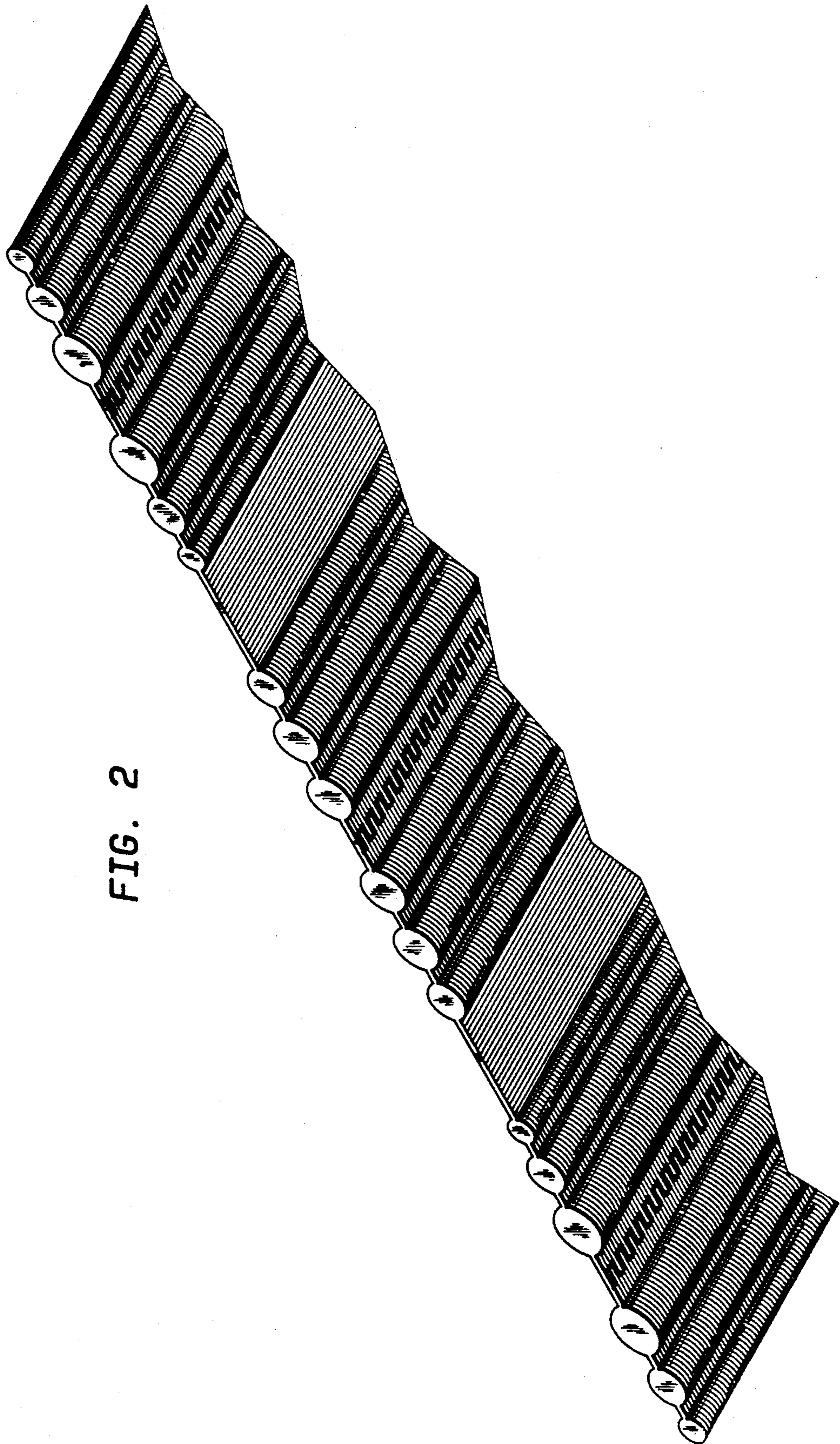


FIG. 2

FIG. 3

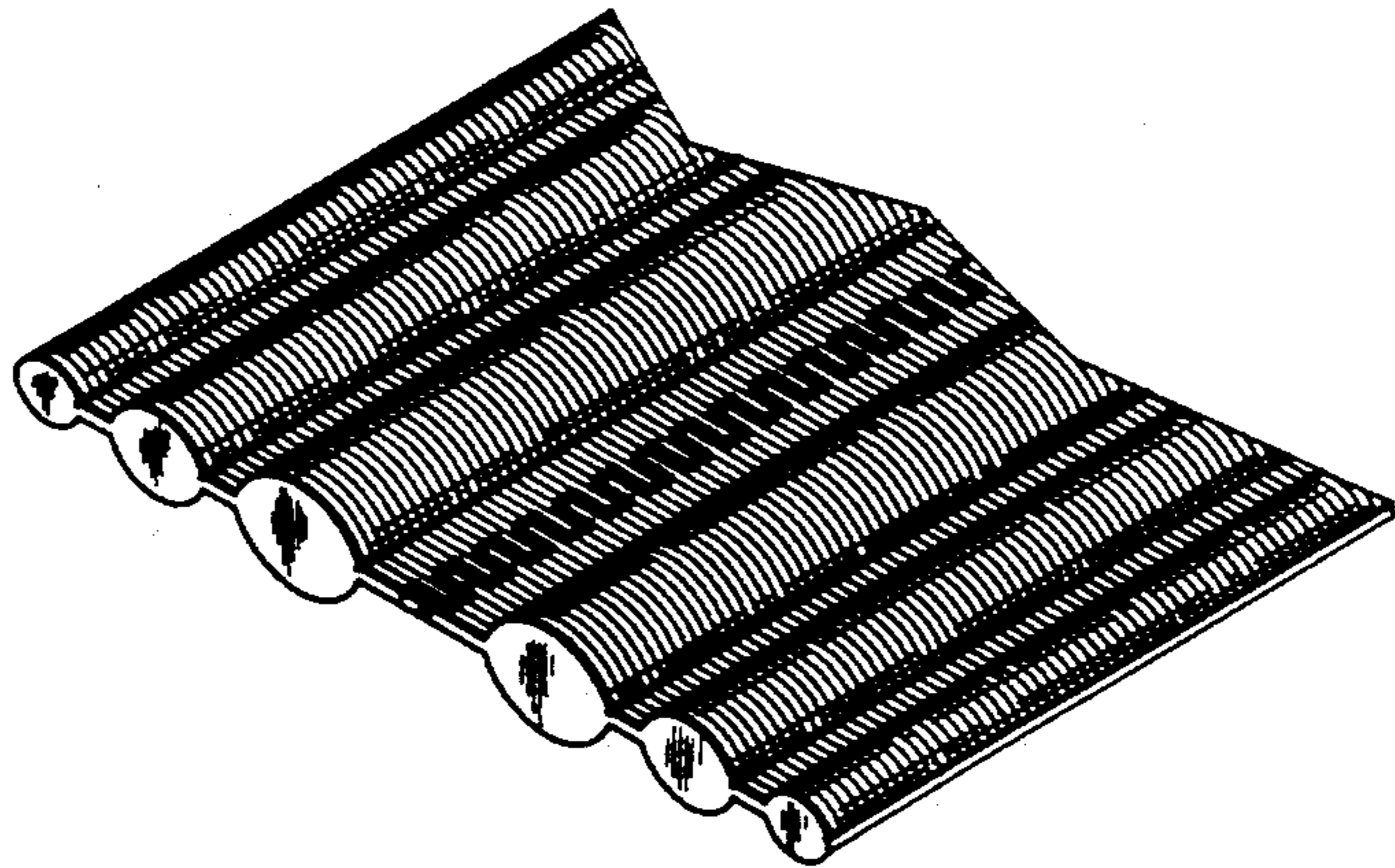


FIG. 4

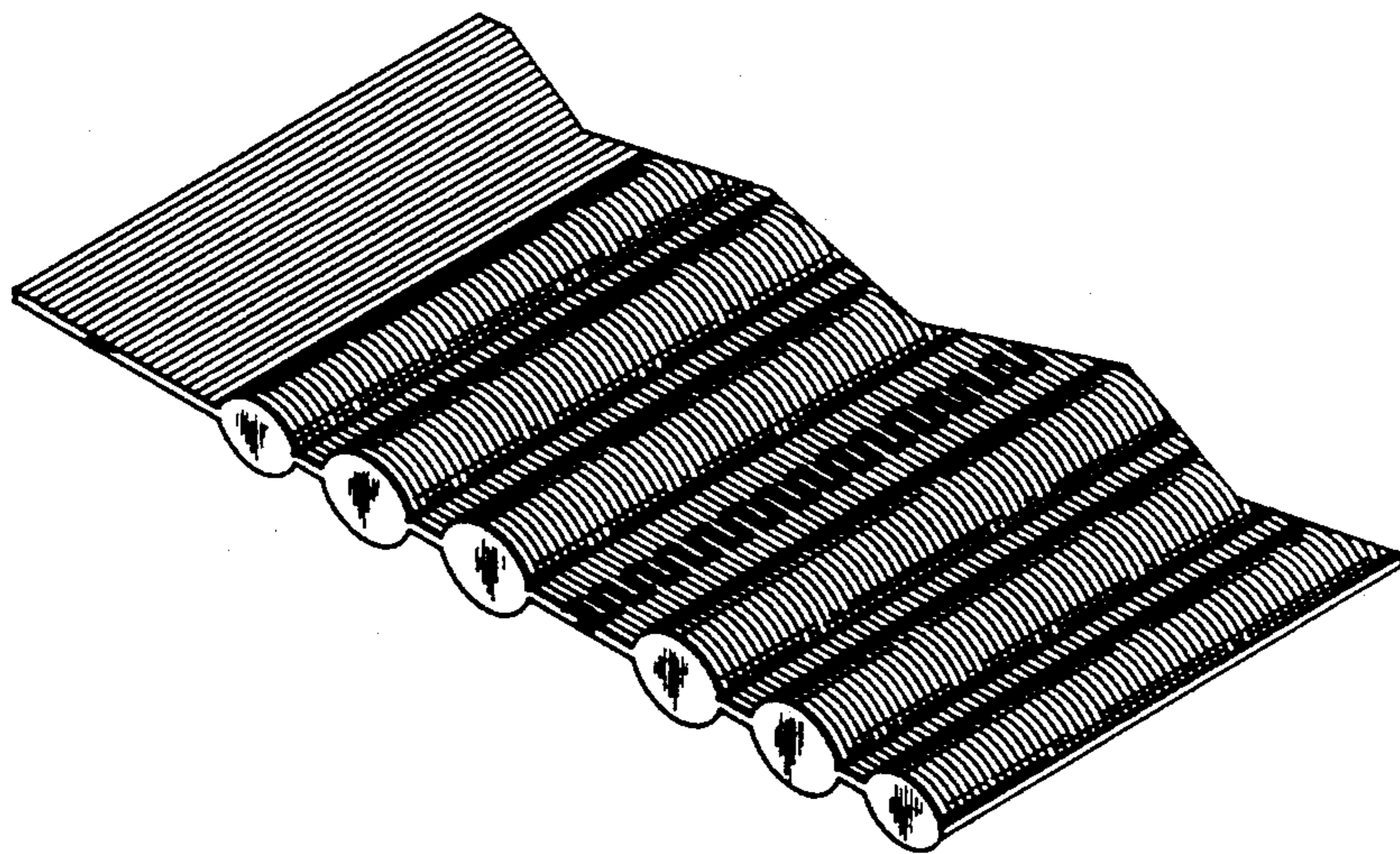


FIG. 5

