



US00D323469S

# United States Patent [19]

Saito

[11] Patent Number: **Des. 323,469**

[45] Date of Patent: **\*\* Jan. 28, 1992**

[54] **ELECTRONIC METRONOME WITH CLIP**

[75] Inventor: **Hiroshi Saito, Shiojiri, Japan**

[73] Assignee: **Seiko Epson Corporation, Tokyo, Japan**

[\*\*] Term: **14 Years**

[21] Appl. No.: **460,226**

[22] Filed: **Jan. 2, 1990**

[30] **Foreign Application Priority Data**

Jul. 3, 1989 [JP] Japan ..... 1-24596

[52] U.S. Cl. .... **D10/43; D10/2; D10/15**

[58] Field of Search ..... **D10/1-2, D10/15, 43, 40; 84/484**

[56] **References Cited**

**U.S. PATENT DOCUMENTS**

- D. 250,176 11/1978 Yamagami ..... D10/15
- D. 276,313 11/1984 Matthias ..... D10/15
- D. 292,677 11/1987 Jordi ..... D10/2 X
- D. 295,501 5/1988 Brayford ..... D10/15 X
- D. 301,014 5/1989 Houlihan ..... D10/15 X

- D. 303,721 9/1989 Yu ..... D10/2 X
- D. 313,758 1/1991 Klose ..... D10/2 X
- D. 313,759 1/1991 Nomizu ..... D10/2 X
- D. 315,518 3/1991 Saito ..... D10/43
- 4,705,408 11/1987 Jordi ..... 368/278

**OTHER PUBLICATIONS**

(H.K.E.) *Hong Kong Enterprise-7/88-083234708* p. 307-Clock at bottom-left.

*Primary Examiner*—Nelson C. Holtje  
*Attorney, Agent, or Firm*—Blum Kaplan

[57] **CLAIM**

The ornamental design for electronic metronome with clip, as shown and described.

**DESCRIPTION**

FIG. 1 is a top and right-front perspective view of an electronic metronome with clip showing my new design;

FIG. 2 is a top plan view thereof;

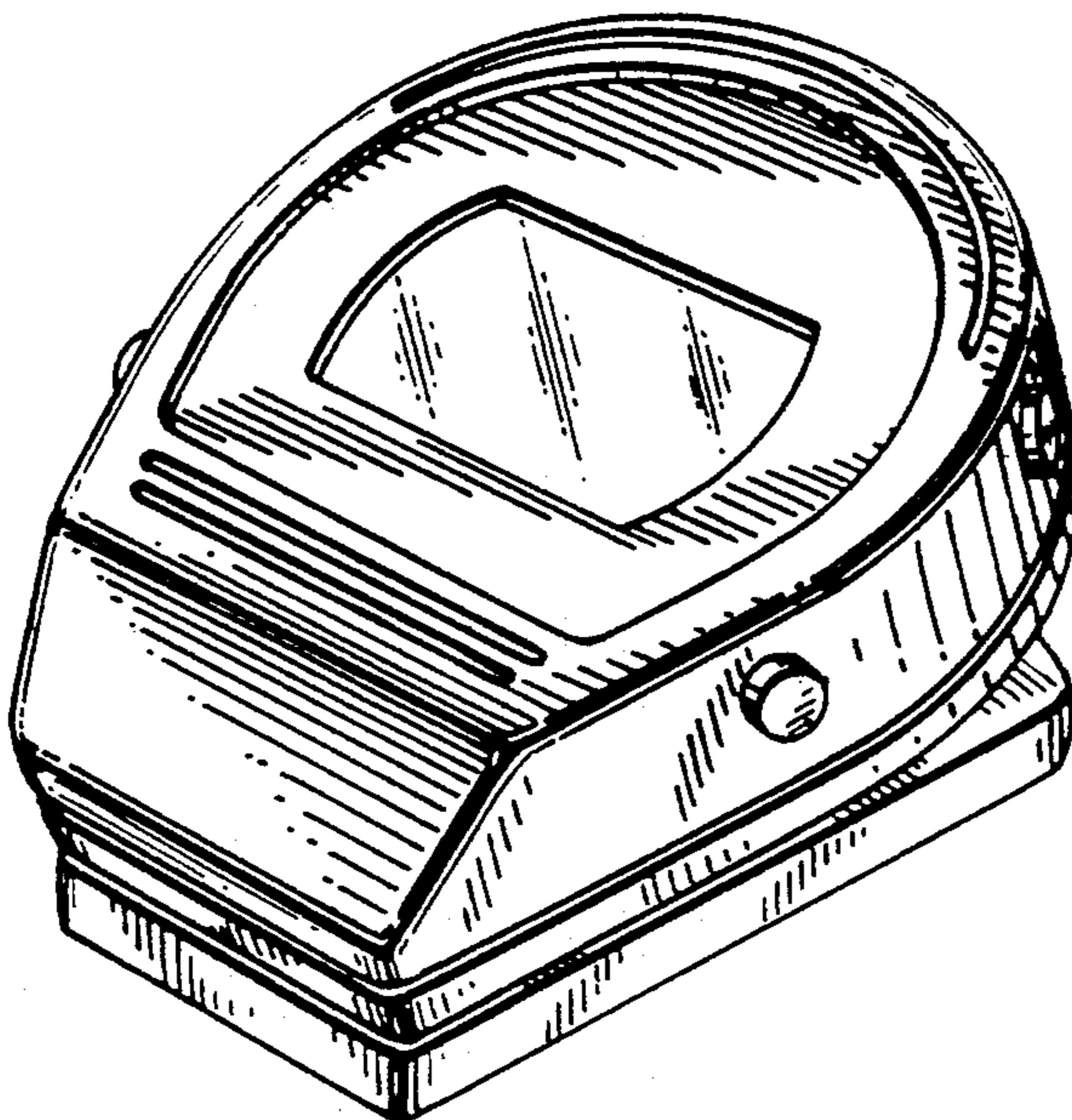
FIG. 3 is a front elevational view thereof;

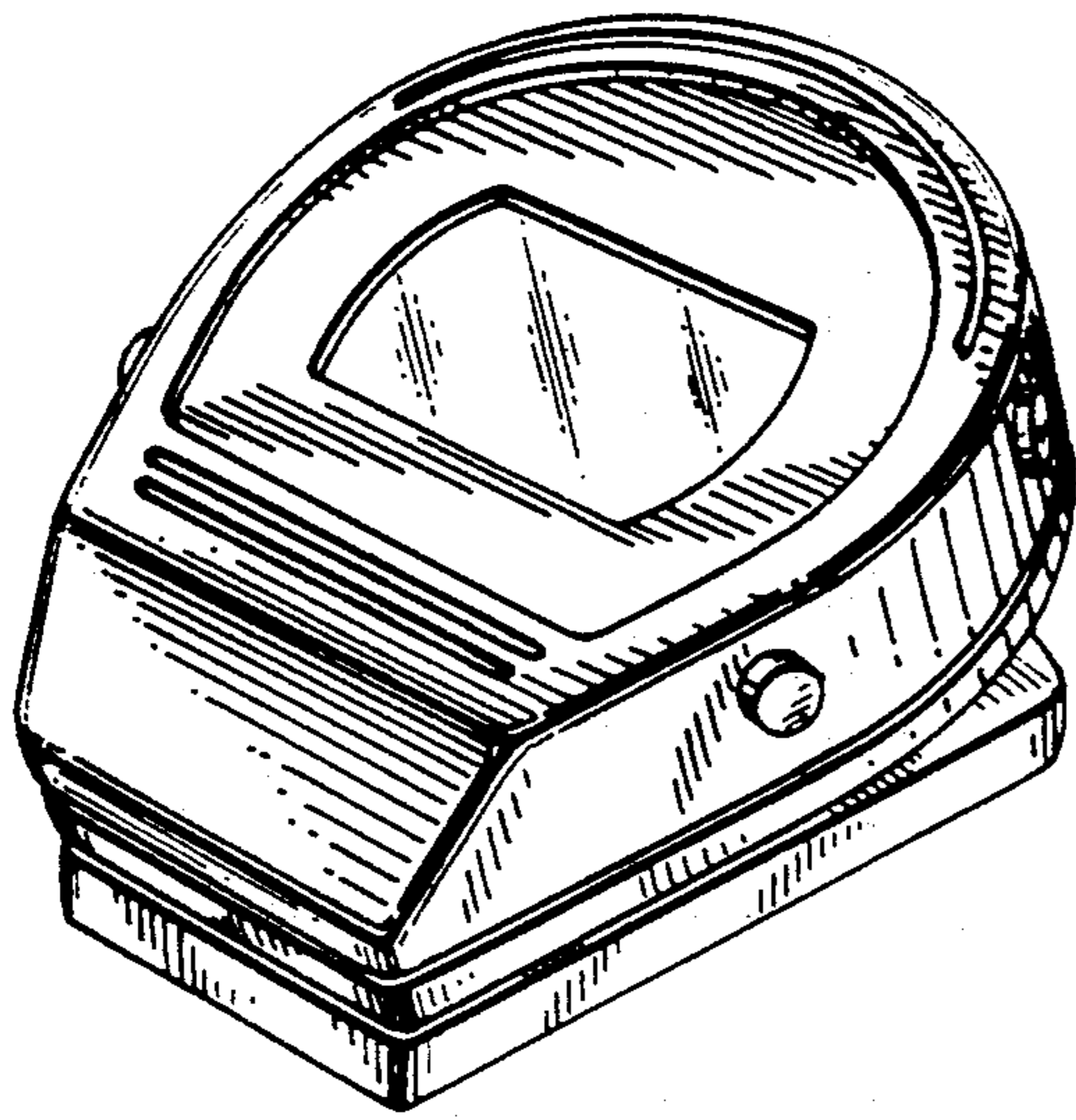
FIG. 4 is a left side view thereof;

FIG. 5 is a right side view thereof;

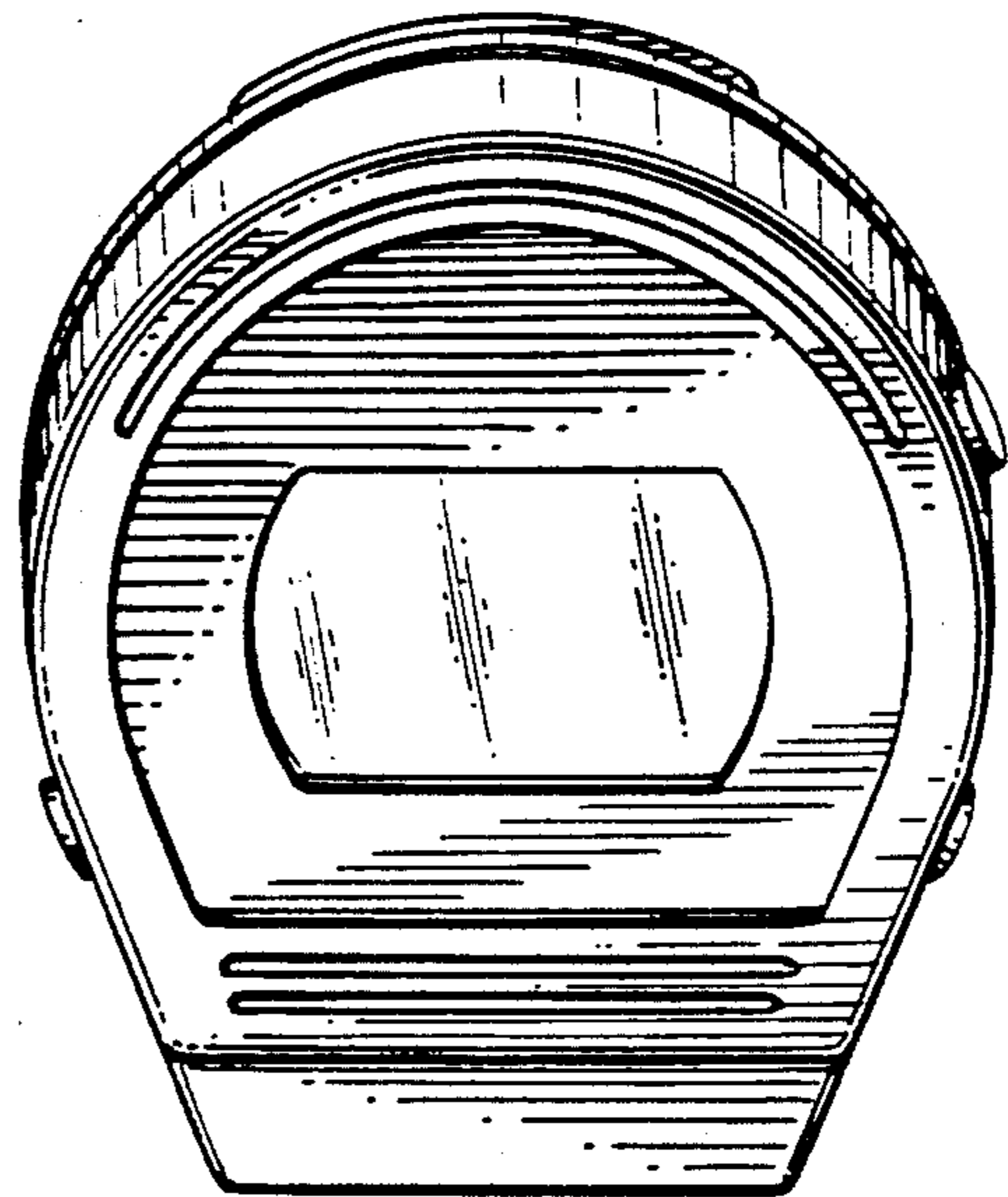
FIG. 6 is a rear elevational view thereof; and

FIG. 7 is a bottom plan view thereof.



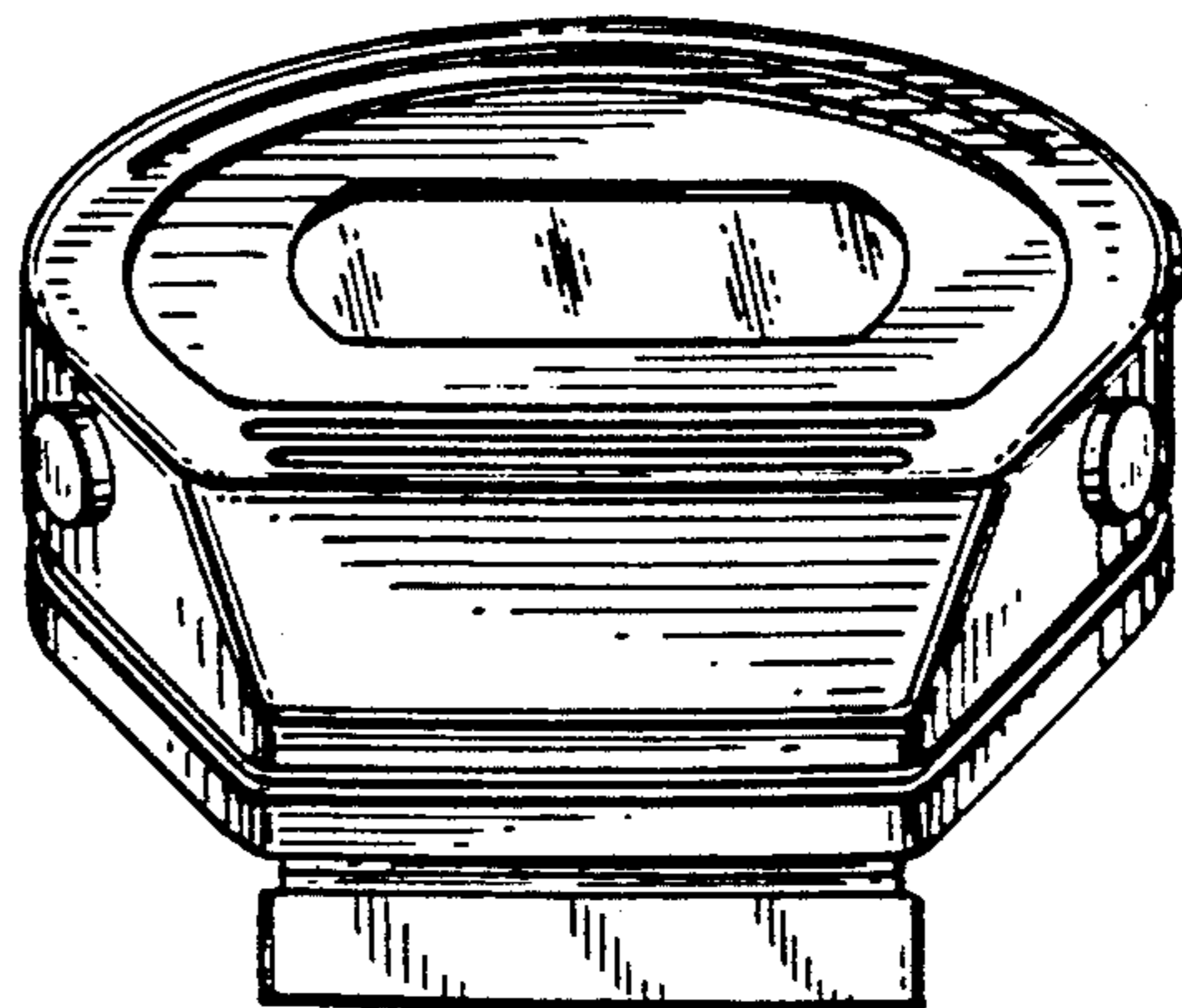


*FIG. 1*



*FIG. 2*

*FIG. 3*



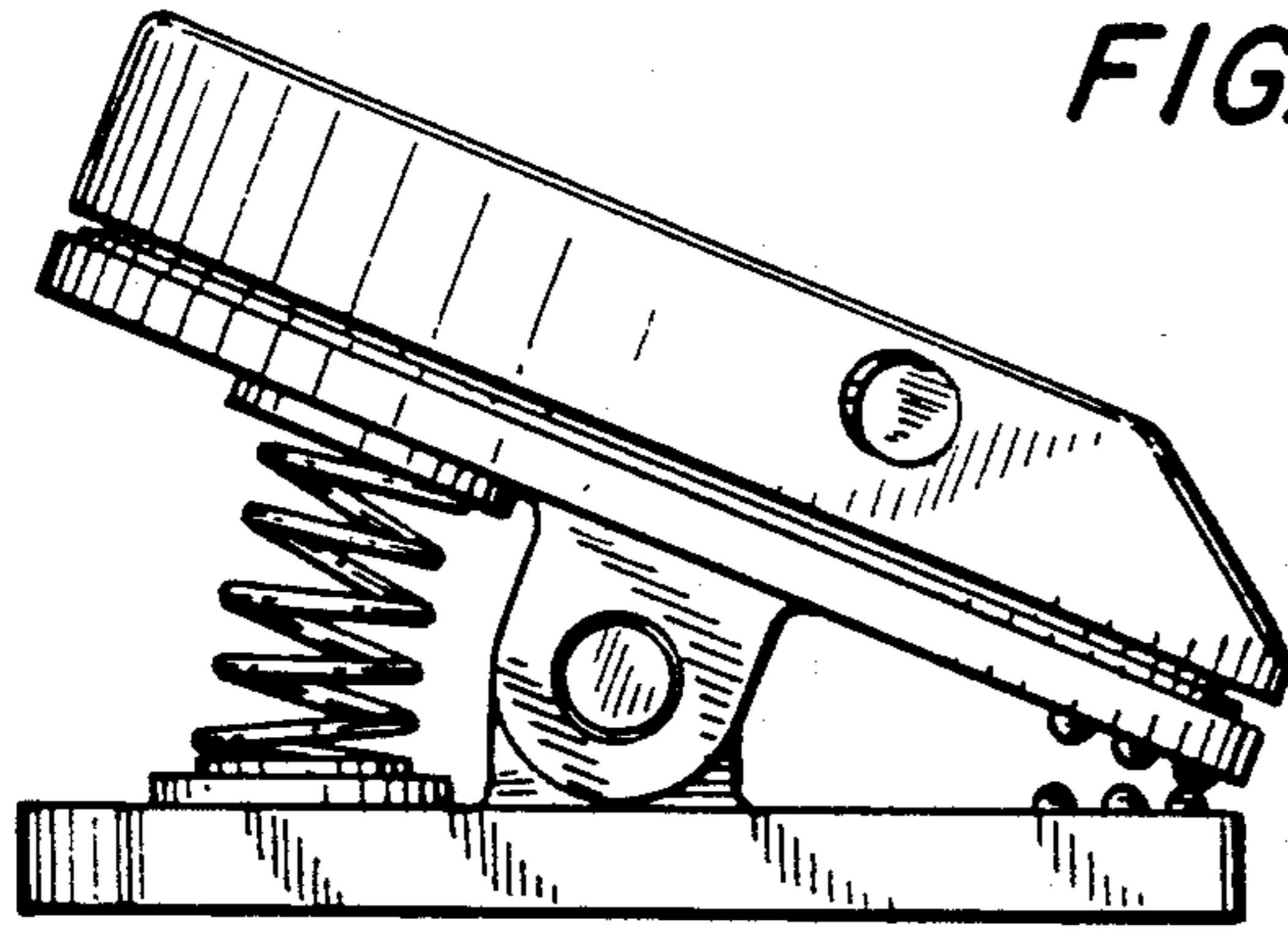


FIG. 4

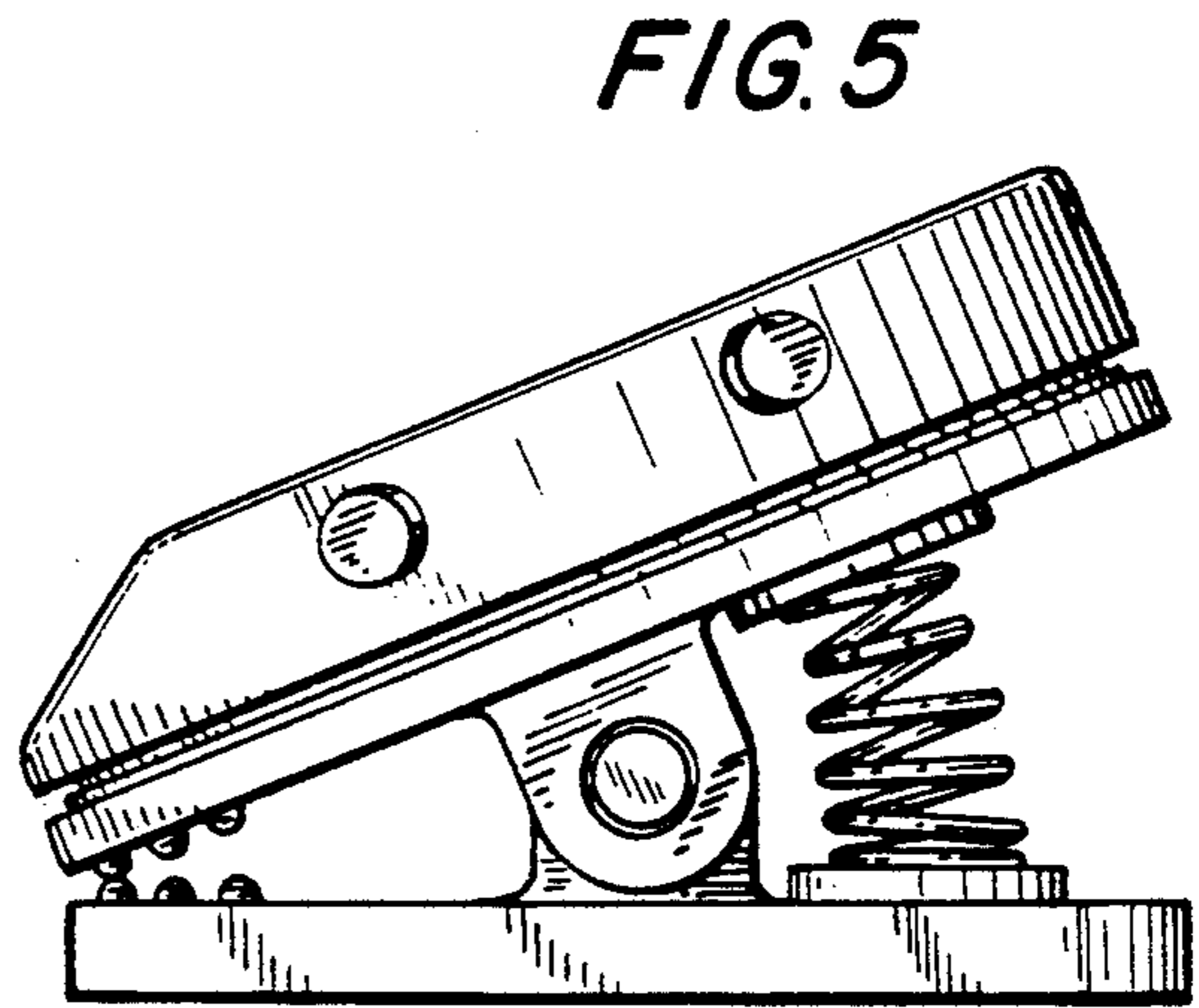


FIG. 5

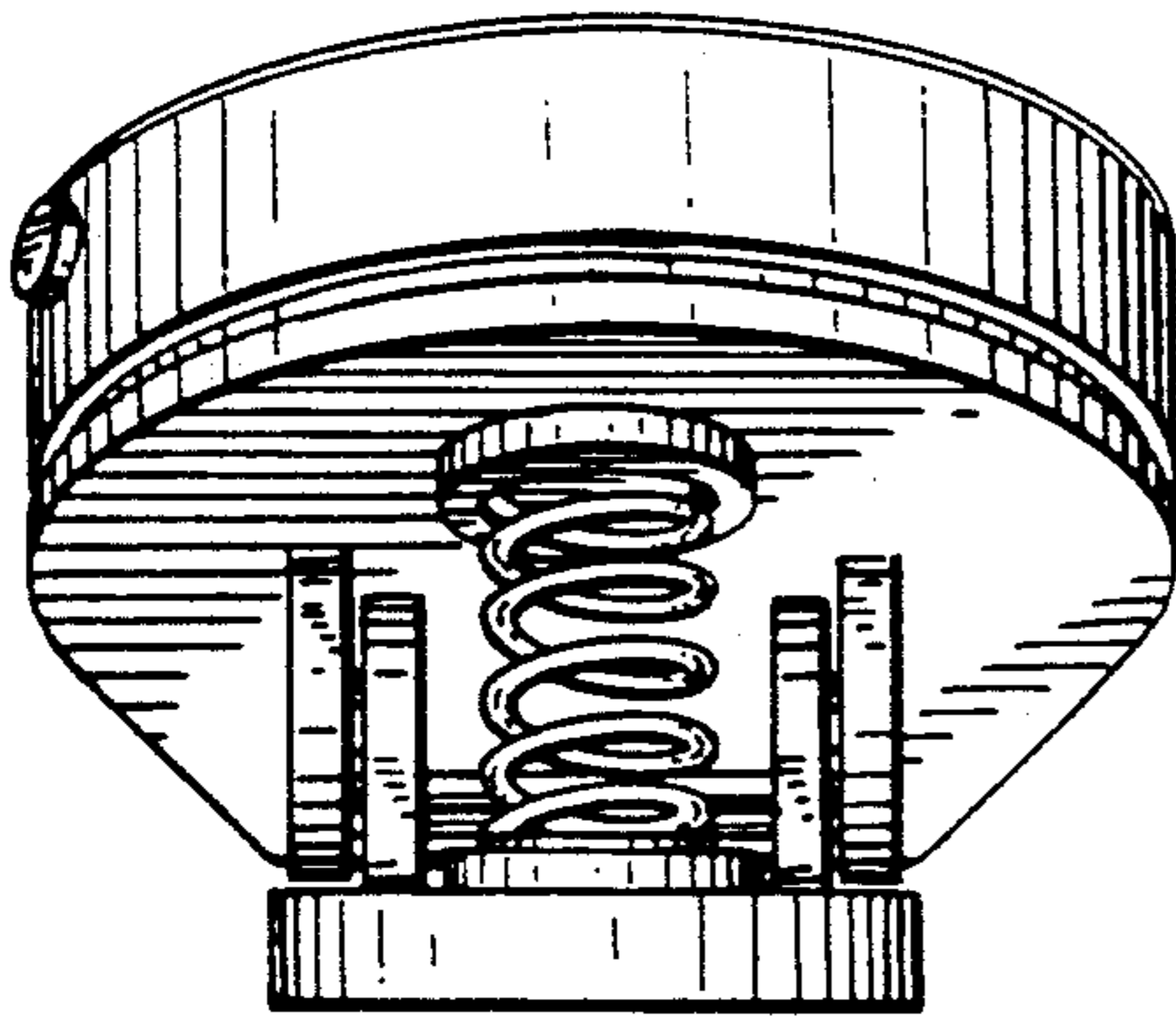


FIG. 6

FIG. 7

