



US00D323463S

United States Patent [19]
Tak

[11] **Patent Number: Des. 323,463**

[45] **Date of Patent: ** Jan. 28, 1992**

[54] **ALARM CLOCK**

[75] **Inventor: Tako C.C. Tak, New Territories, Hong Kong**

[73] **Assignee: Original Marketing Services, Limited, Tsimshatsui, Hong Kong**

[**] **Term: 14 Years**

[21] **Appl. No.: 428,077**

[22] **Filed: Oct. 27, 1989**

[30] **Foreign Application Priority Data**

May 8, 1989 [GB] United Kingdom 1059290

[52] **U.S. Cl. D10/18; D10/15**

[58] **Field of Search D10/1-40, D10/127-132; 368/82-84, 239-242, 276-278, 280-282, 285, 316, 317**

[56] **References Cited**

U.S. PATENT DOCUMENTS

- D. 239,464 4/1976 Imai D10/15 X
- D. 269,328 6/1983 Cheung D10/15
- D. 301,839 6/1989 Houlihan D10/15
- 4,390,289 6/1983 Houlihan 368/316
- 4,920,525 4/1990 Meister 368/276 X

OTHER PUBLICATIONS

Hong Kong Trader, vol. 6/1979-p. 129-DIG. Clocks at Center.

Jeweler's Circular—Keystone—11/78-p. 64—Clock at left.

Swiss Watch & Jewelry Journal—2/80 p. 278—Clock at left center.

Primary Examiner—Nelson C. Holtje
Attorney, Agent, or Firm—Lowe, Price, LeBlanc & Becker

[57] **CLAIM**

The ornamental design for an alarm clock, as shown and described.

DESCRIPTION

FIG. 1 is a front elevational view of an alarm clock showing my new design with the cover/stand in the open position;

FIG. 2 is a rear elevational view thereof;

FIG. 3 is a left side elevational view thereof;

FIG. 4 is a right side elevational view thereof;

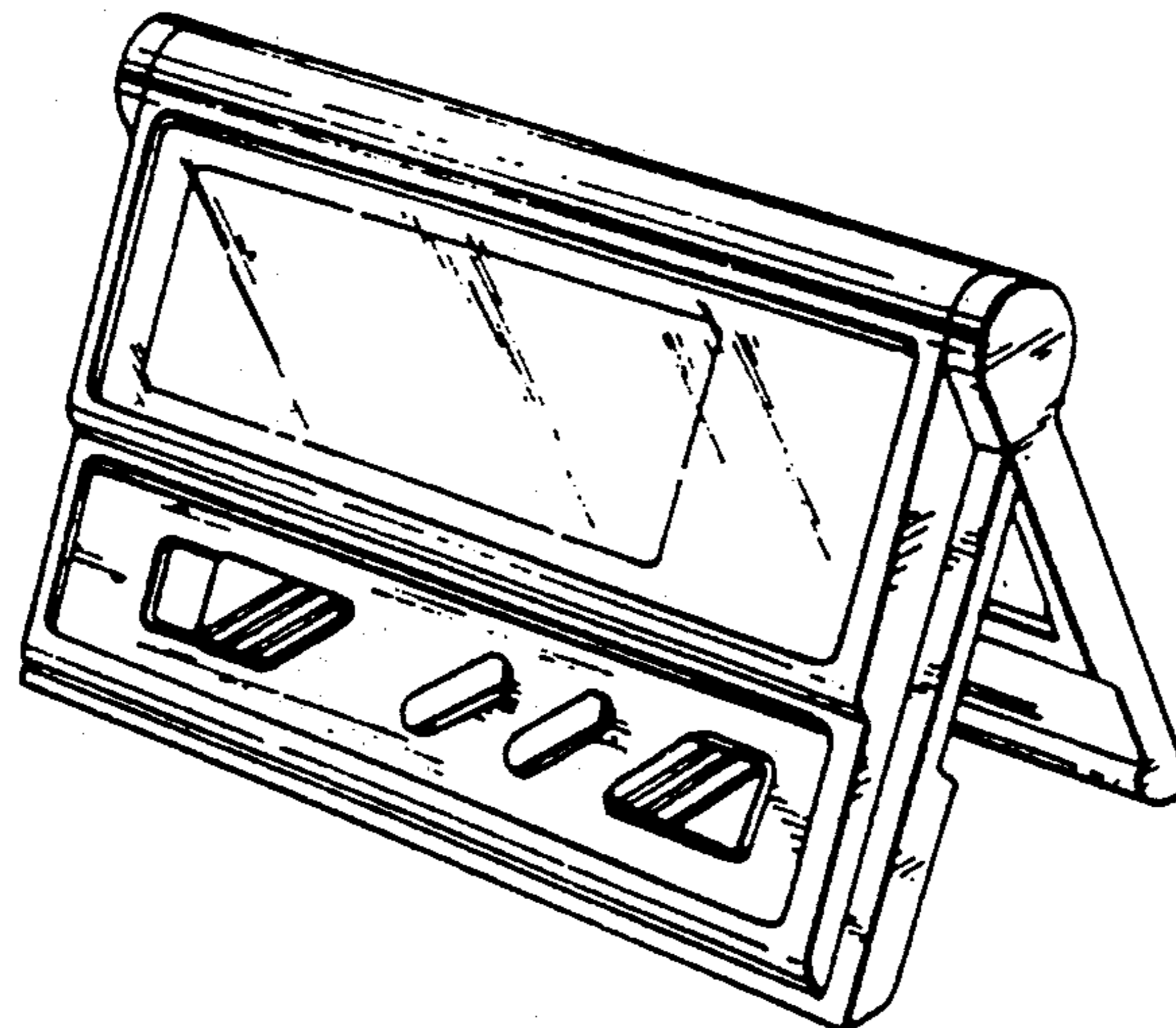
FIG. 5 is a top plan view thereof;

FIG. 6 is a left-front perspective view thereof;

FIG. 7 is a right-front perspective view thereof;

FIG. 8 is a front elevational view of the alarm clock with cover/stand in a closed position; and

FIG. 9 is a rear elevational view of FIG. 8.



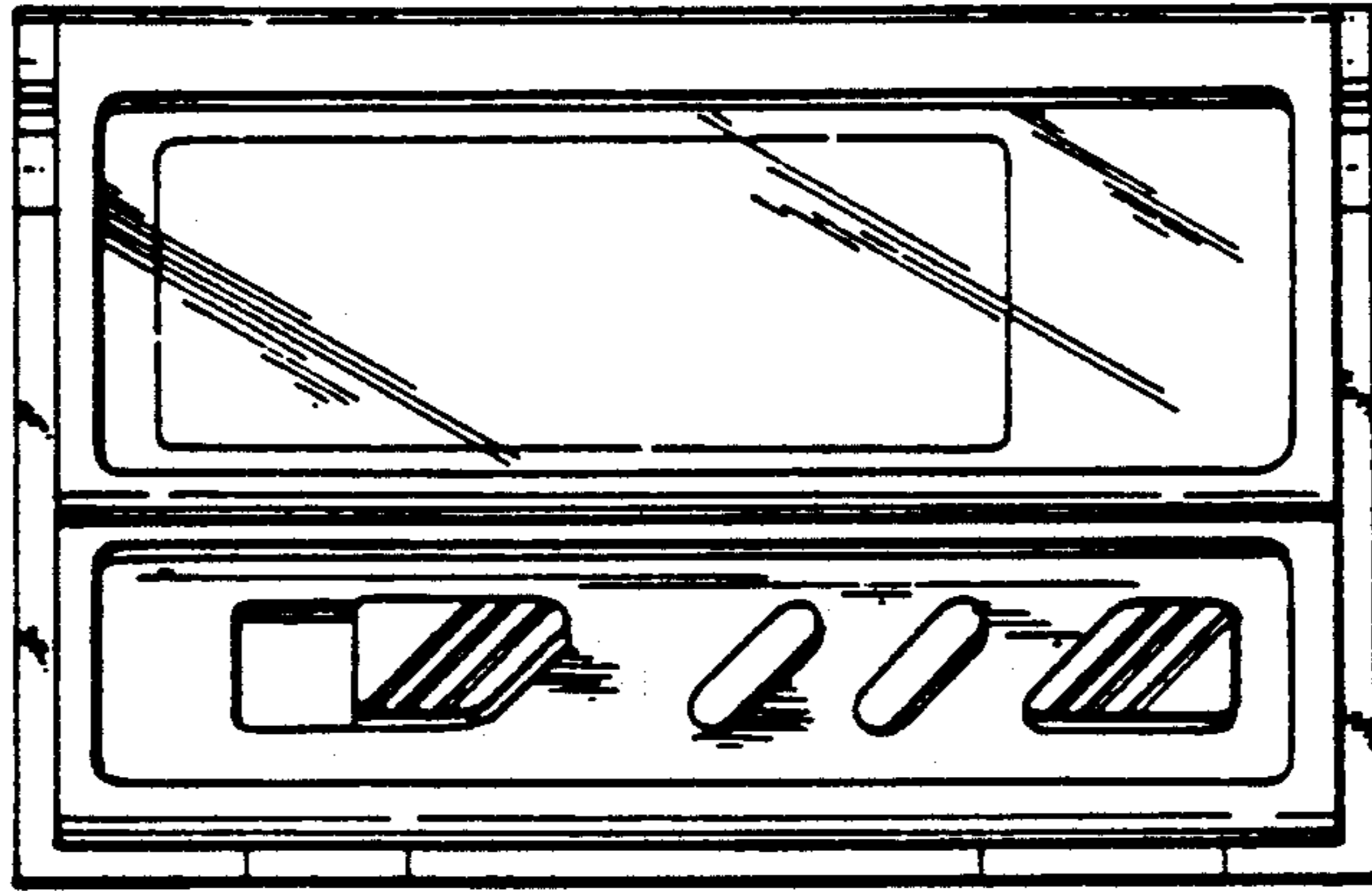


FIG. 1.

FIG. 2.

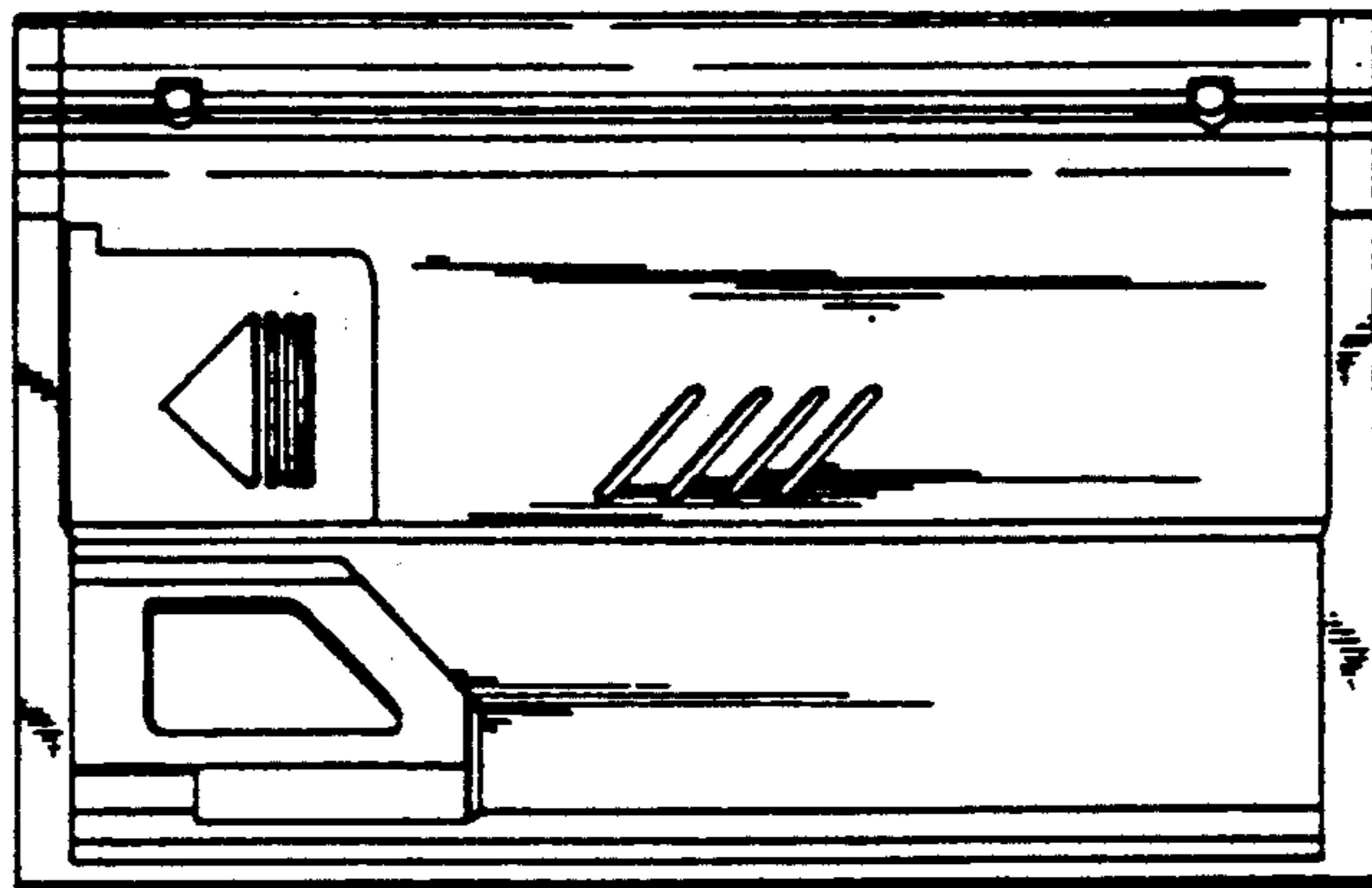


FIG. 3.

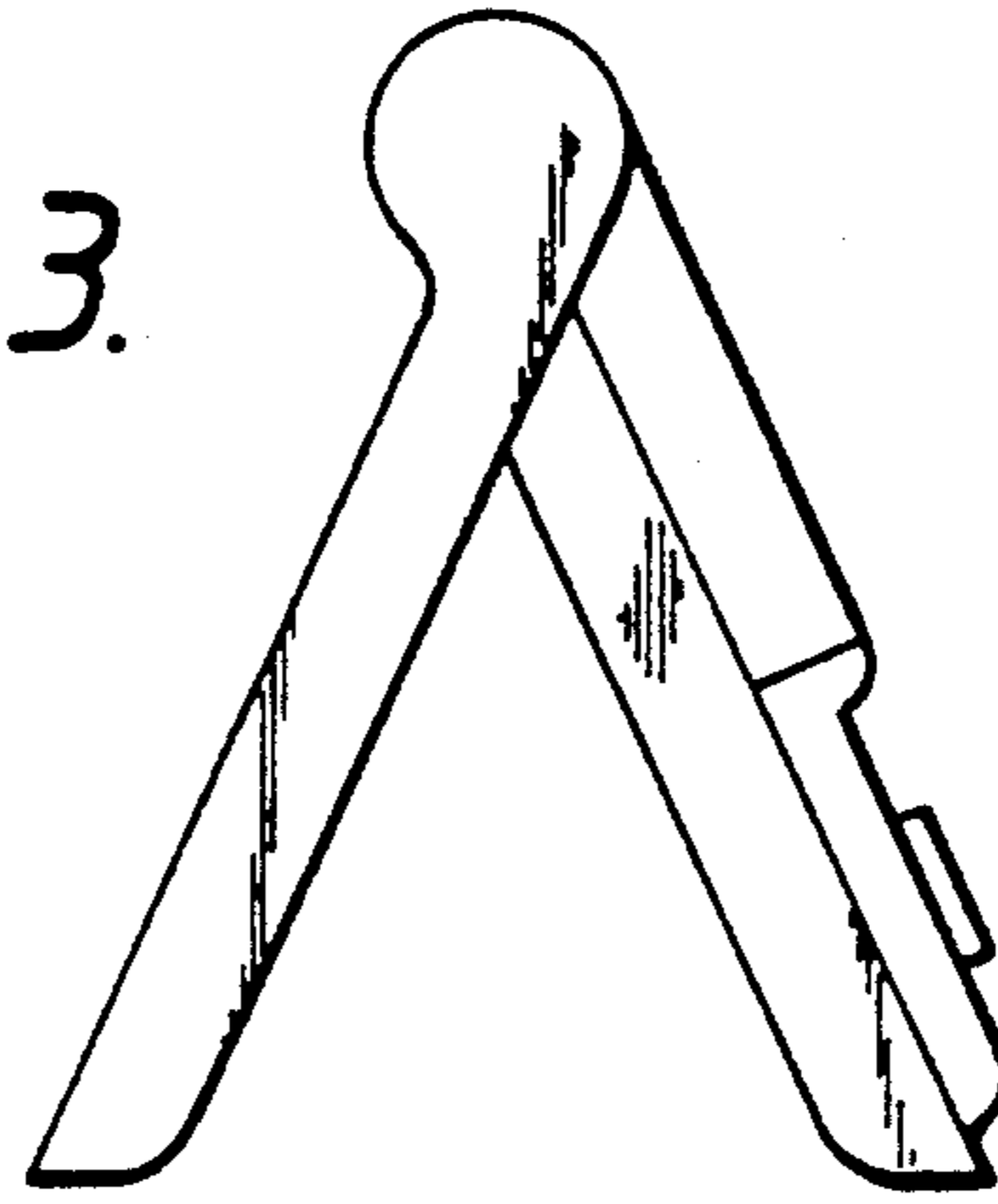
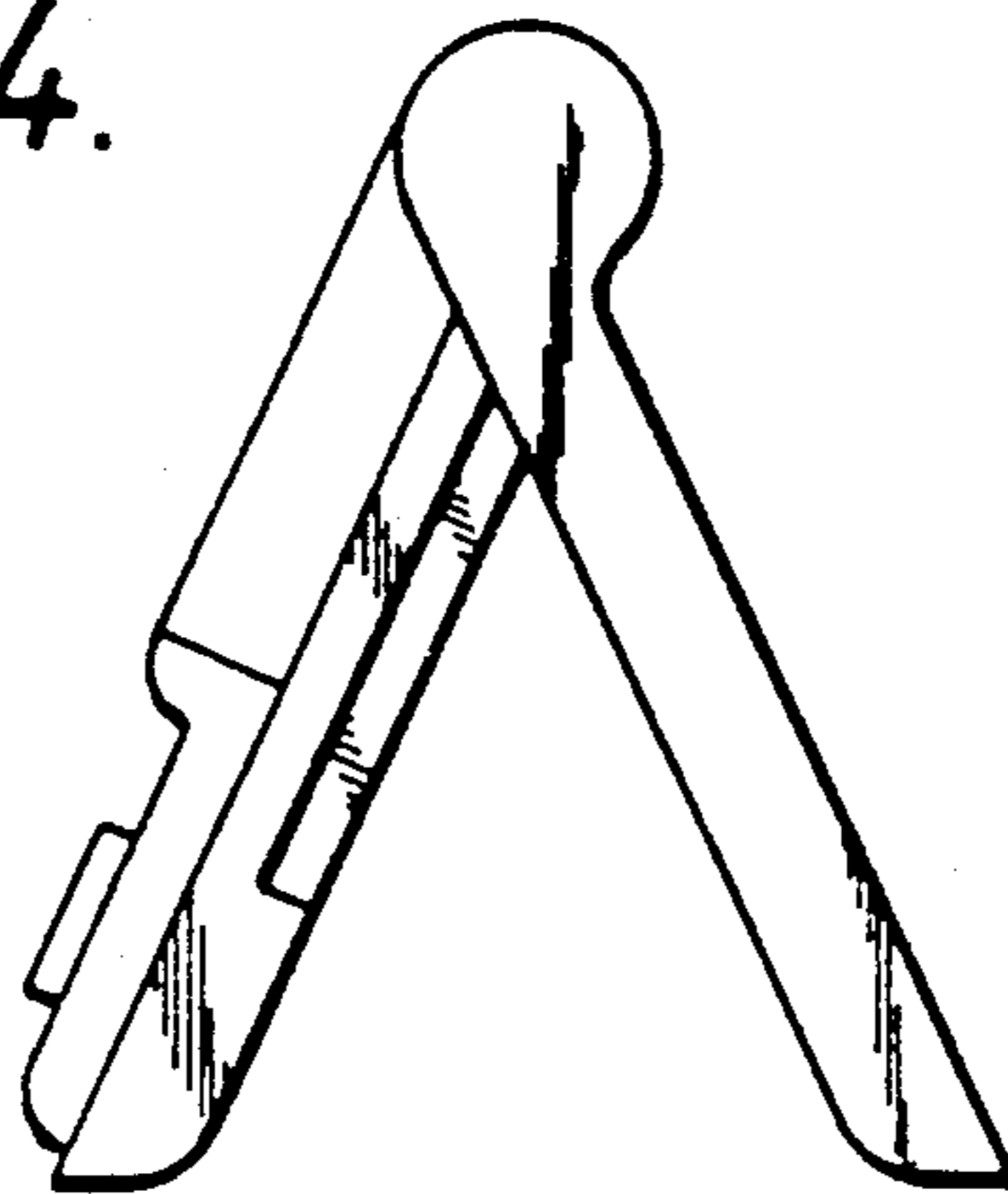


FIG. 4.



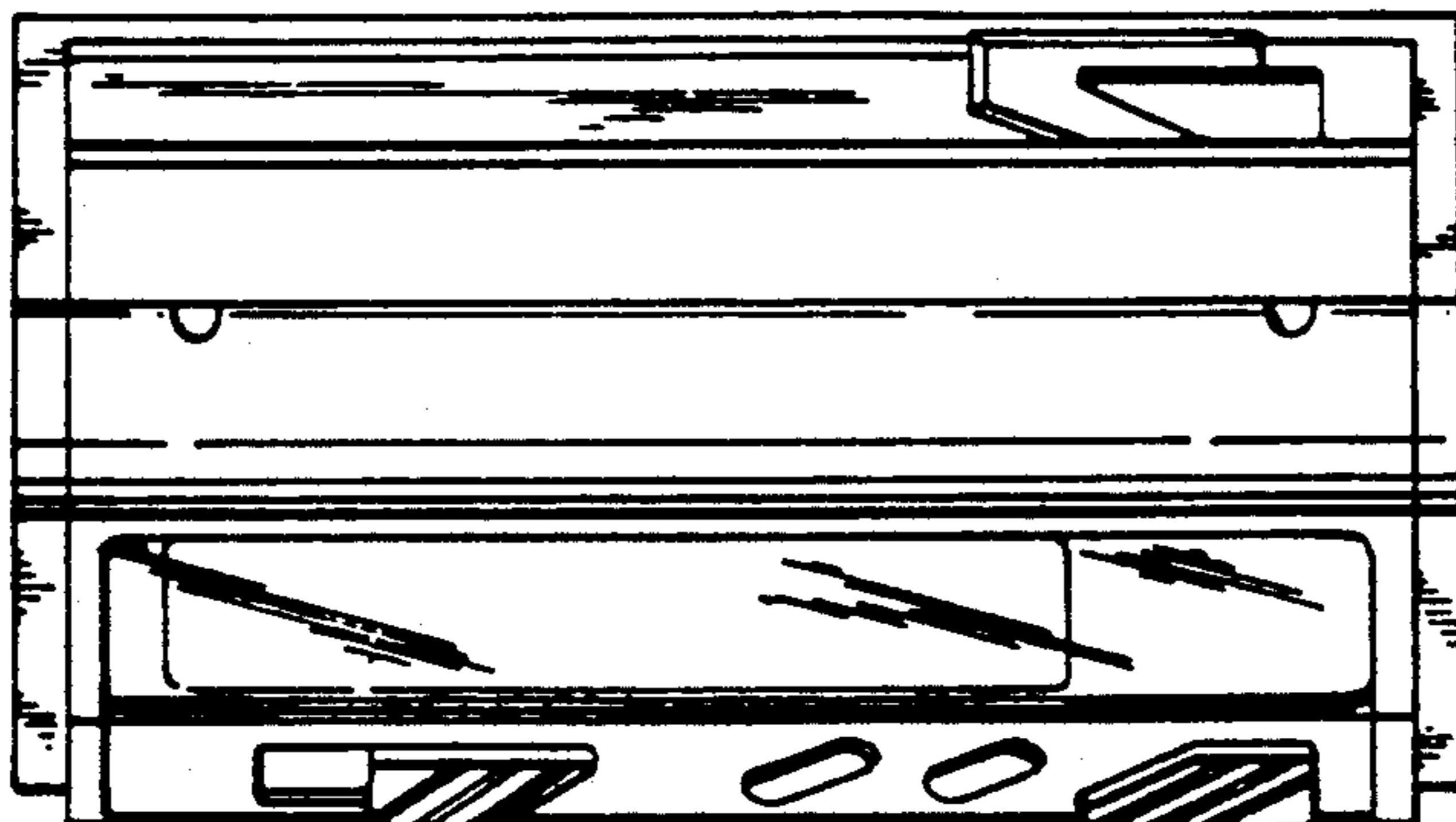


FIG. 5.

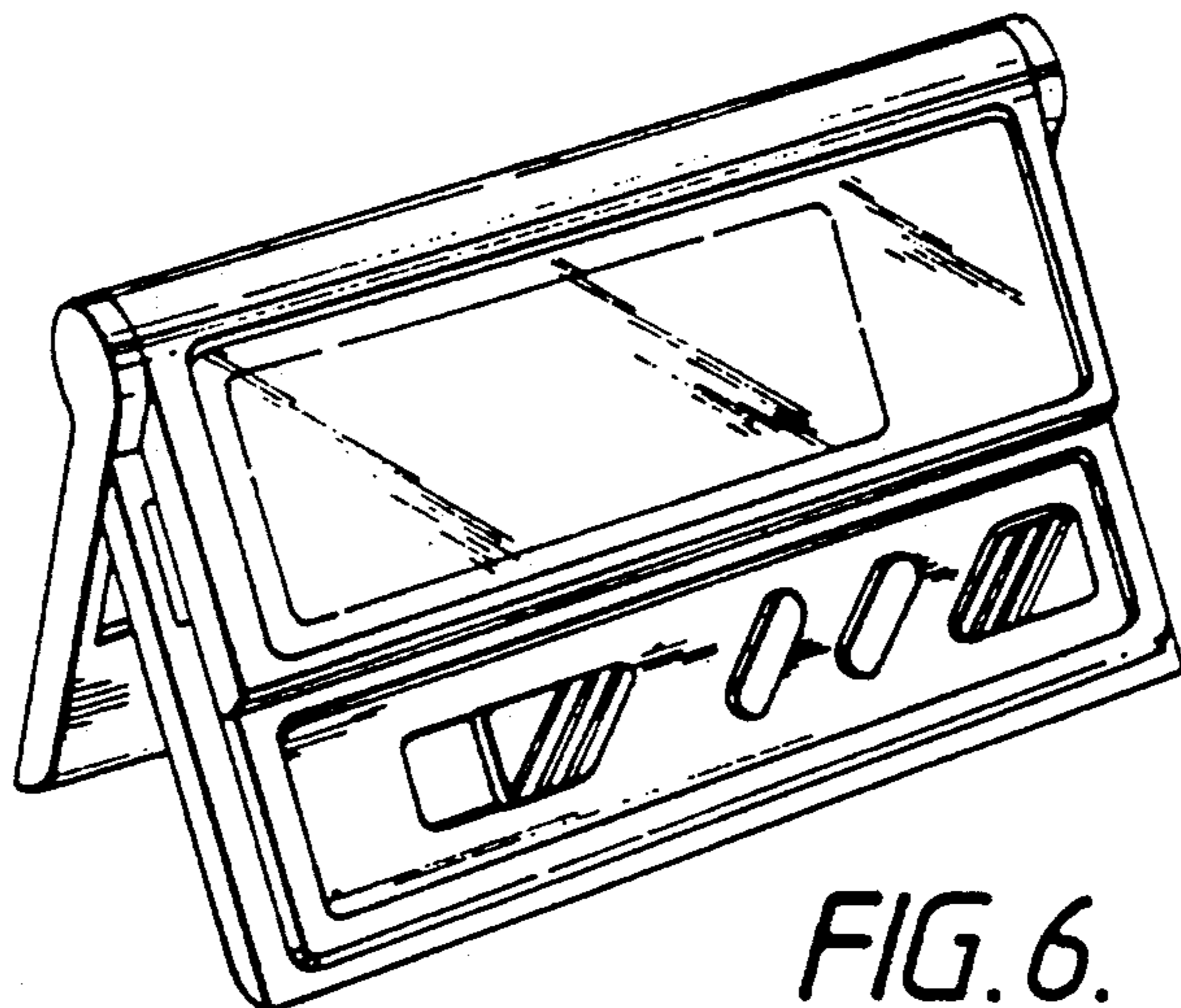


FIG. 6.

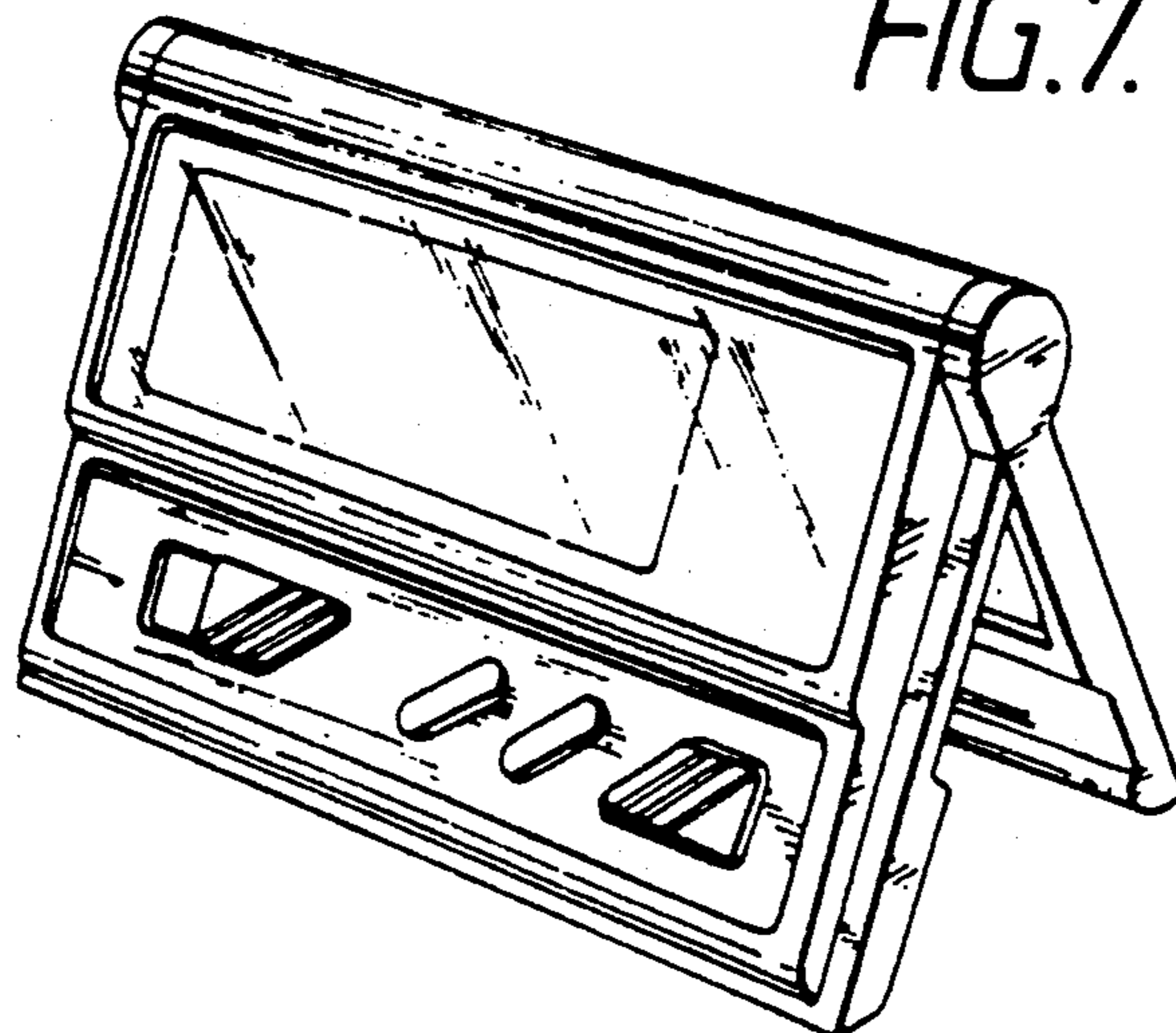


FIG. 7.

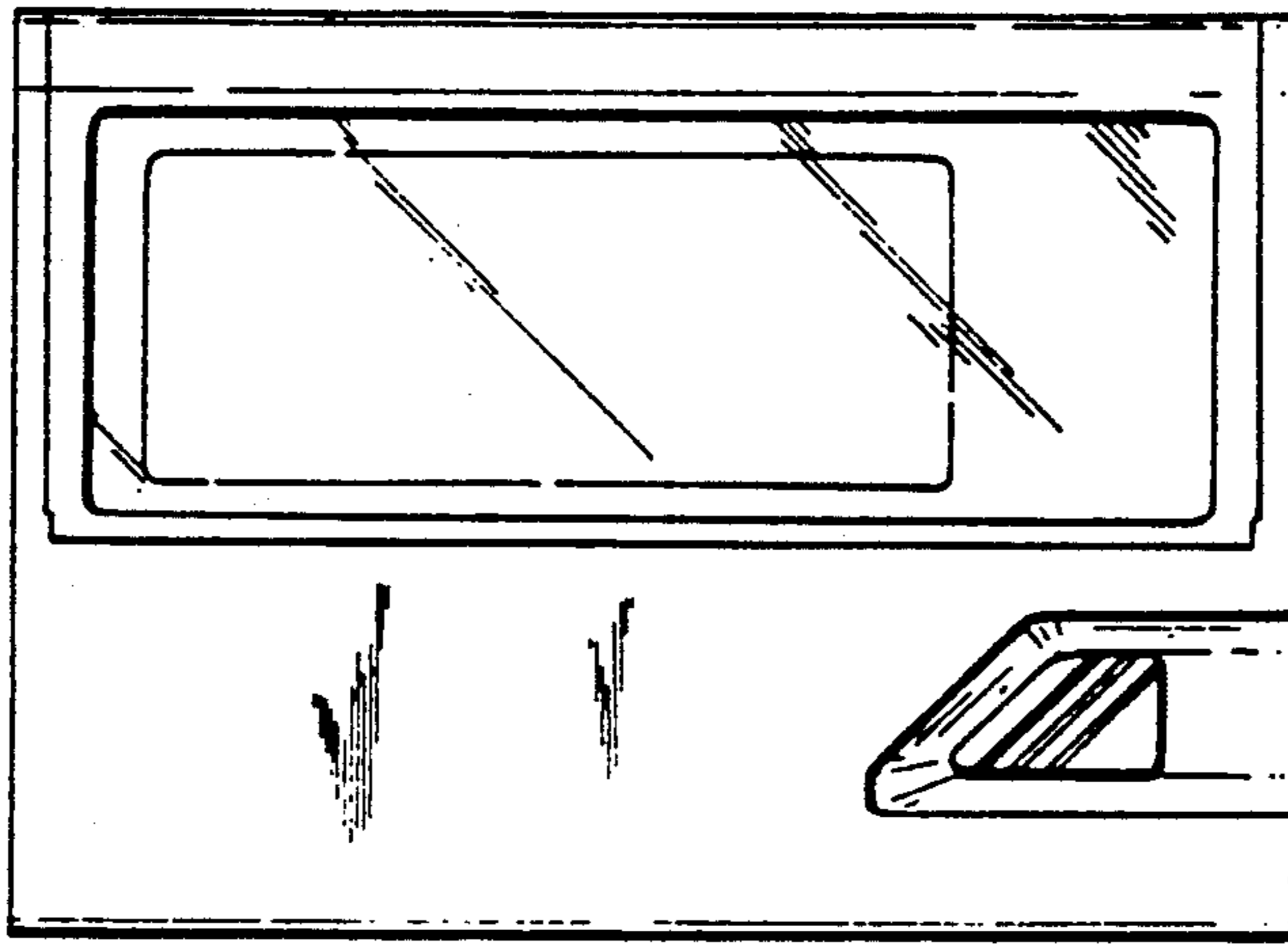
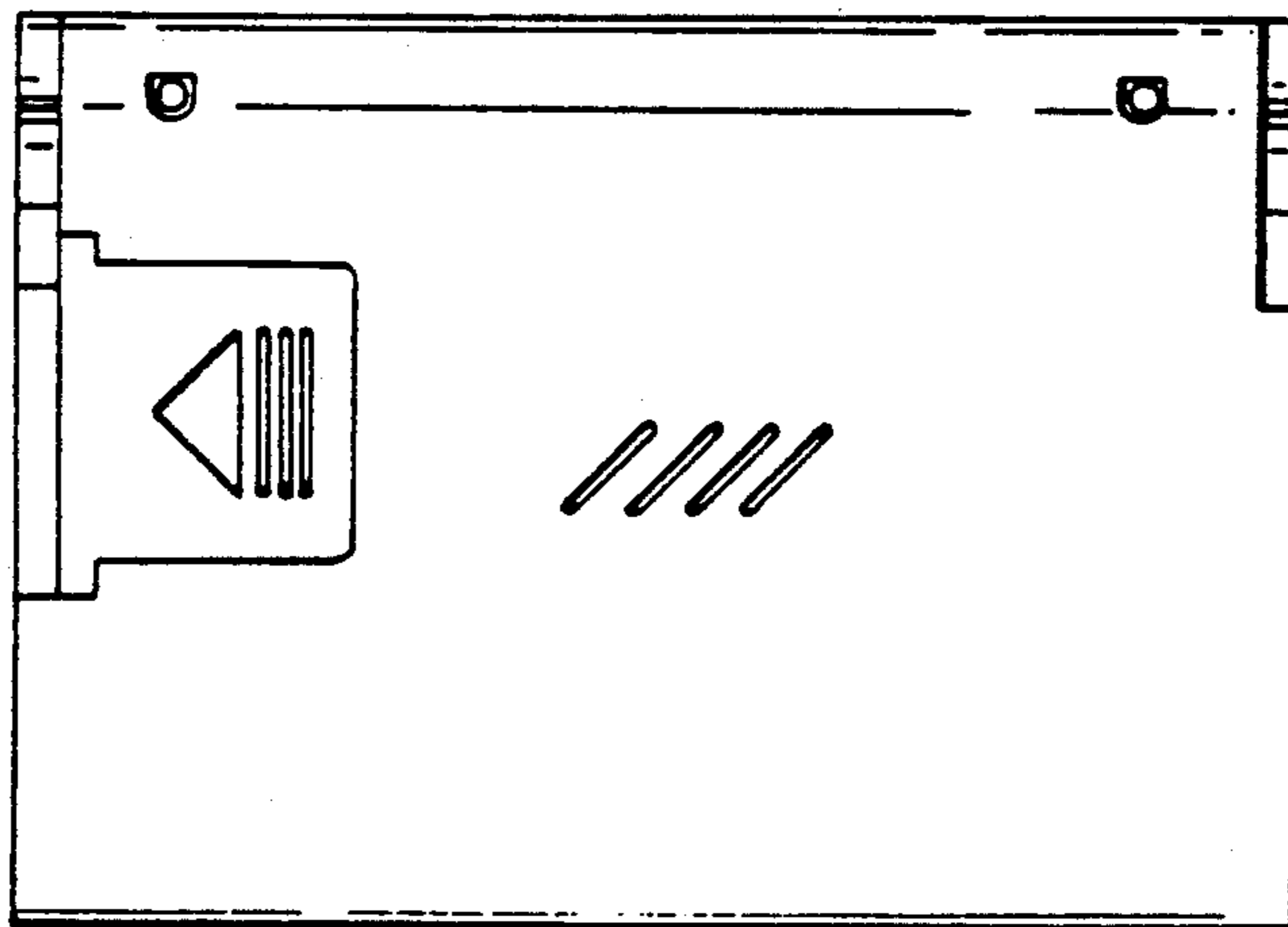


FIG. 8.

FIG. 9.



UNITED STATES PATENT AND TRADEMARK OFFICE
CERTIFICATE OF CORRECTION

PATENT NO. : Des. 323,463

DATED : January 28, 1992

INVENTOR(S) : Tako Cham Chung Tak

It is certified that error appears in the above-identified patent and that said Letters Patent is hereby corrected as shown below:

On the Title page, item [75], inventor's name should be Takô Cham Chung Tak.

Signed and Sealed this
Seventeenth Day of August, 1993

Attest:



BRUCE LEHMAN

Attesting Officer

Commissioner of Patents and Trademarks