



US00D323457S

United States Patent [19]

[11] Patent Number: **Des. 323,457**

Bunce et al.

[45] Date of Patent: **** Jan. 28, 1992**

[54] **COMBINED BOTTLE AND CAP**
 [75] Inventors: **Martin C. Bunce; David P. Myerson,**
 both of London, England
 [73] Assignee: **Lever Brothers Company, division of**
Conopco, Inc., New York, N.Y.

D. 302,246 7/1989 Ross D9/376
 D. 303,629 9/1989 Olson et al. D9/376
 D. 305,407 1/1990 Gonda D9/376
 D. 308,333 6/1990 Aldrich, III D9/376
 D. 313,349 1/1991 Beaver D9/376
 D. 318,615 7/1991 Martin D9/367 X

[**] Term: **14 Years**
 [21] Appl. No.: **510,793**
 [22] Filed: **Apr. 18, 1990**

Primary Examiner—Bernard Ansher
Assistant Examiner—Lucy Lieberman
Attorney, Agent, or Firm—Gerard J. McGowan, Jr.

[30] **Foreign Application Priority Data**
 Oct. 20, 1989 [GB] United Kingdom 2001867
 [52] U.S. Cl. **D9/376; D9/454**
 [58] Field of Search **D9/376, 374, 378, 375,**
D9/454; 215/1 R, 1 C, 100 A

[57] **CLAIM**
 The ornamental design for a combined bottle and cap,
 as shown and described.

[56] **References Cited**
U.S. PATENT DOCUMENTS
 D. 260,857 9/1981 Pardo D9/376
 D. 277,733 2/1985 Aldrich, III et al. D9/376

DESCRIPTION
 FIG. 1 is a side elevation of a combined bottle and cap
 showing our new design;
 FIG. 2 is a front elevation thereof;
 FIG. 3 is a rear elevation thereof;
 FIG. 4 is a top plan view thereof;
 FIG. 5 is a bottom plan view thereof; and
 FIG. 6 is a top, rear and side perspective view thereof.

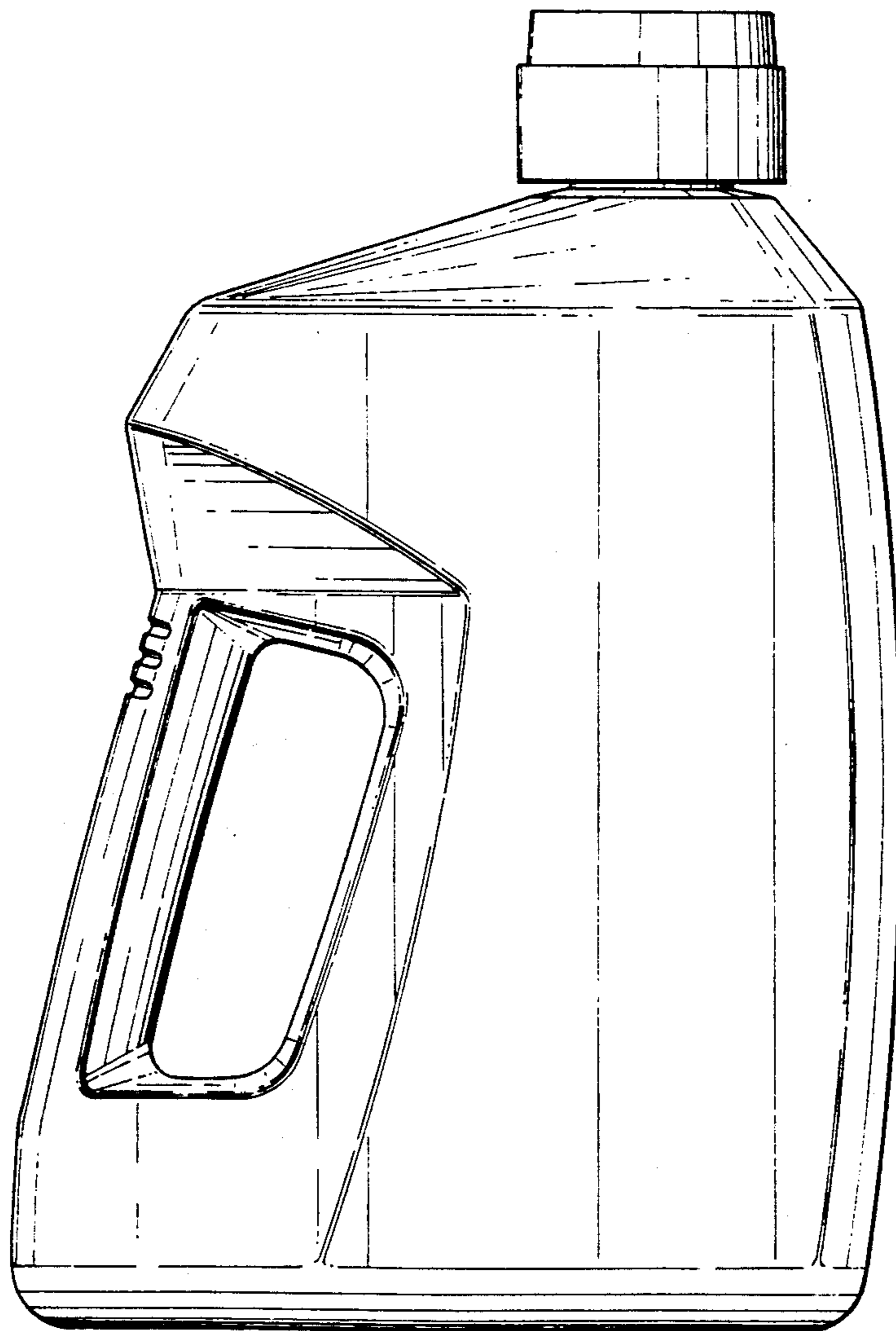


Fig. 1.

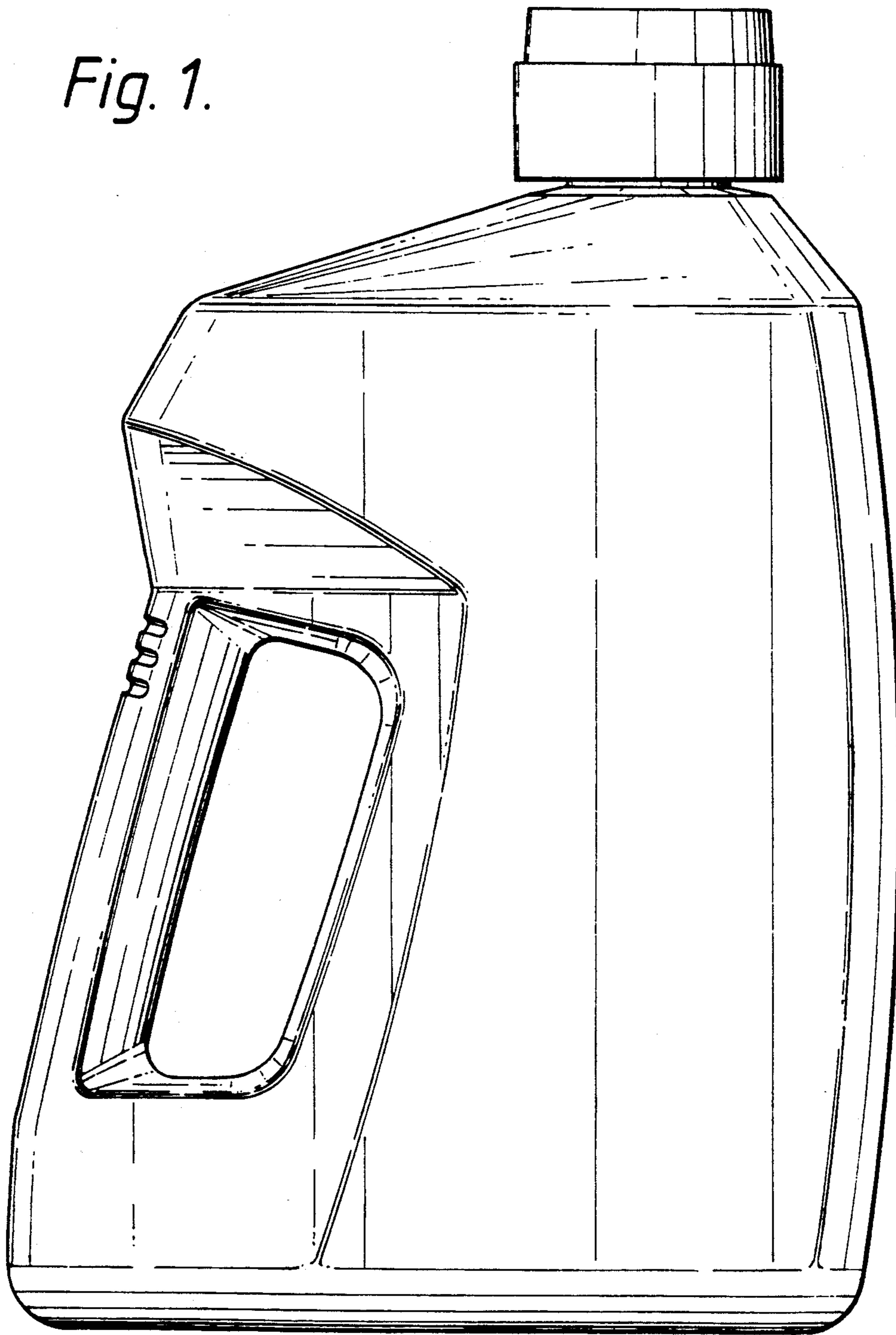


Fig. 2.

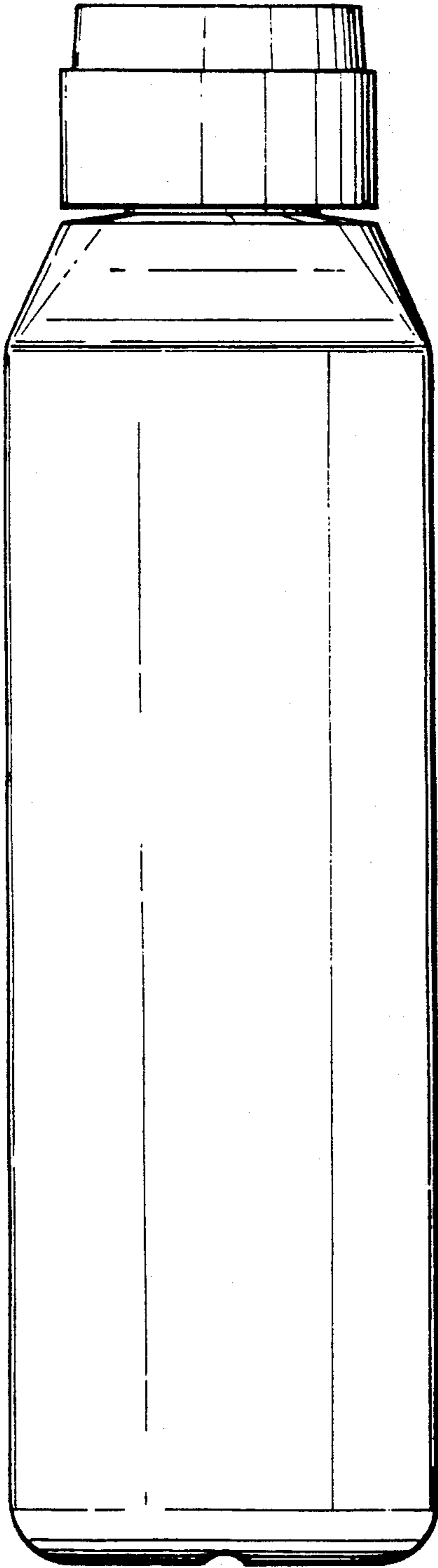


Fig. 3.

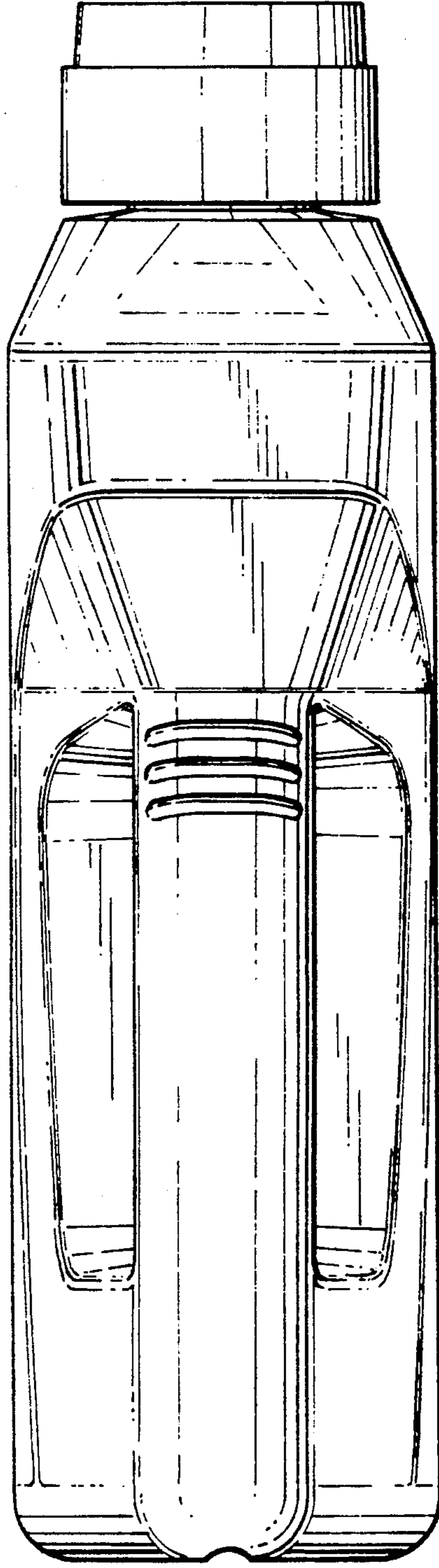


Fig. 4.

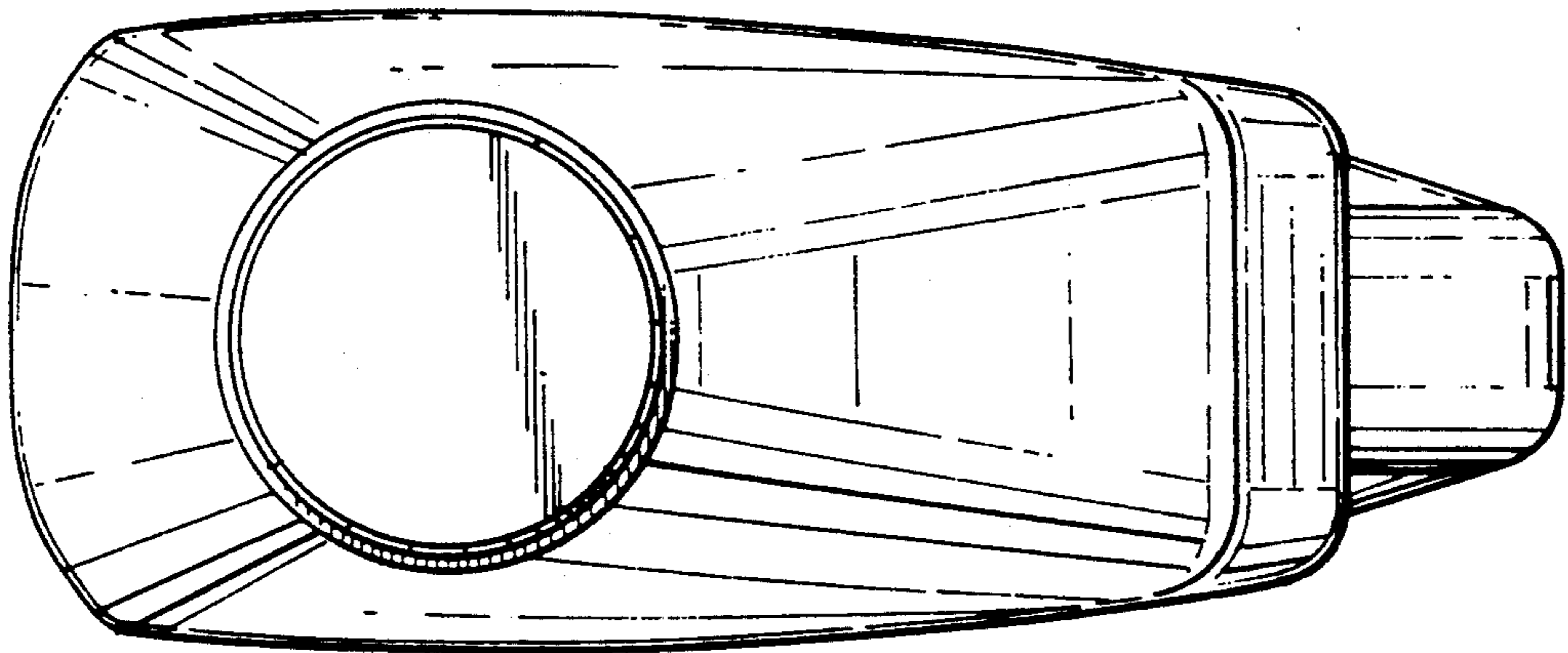


Fig. 5.

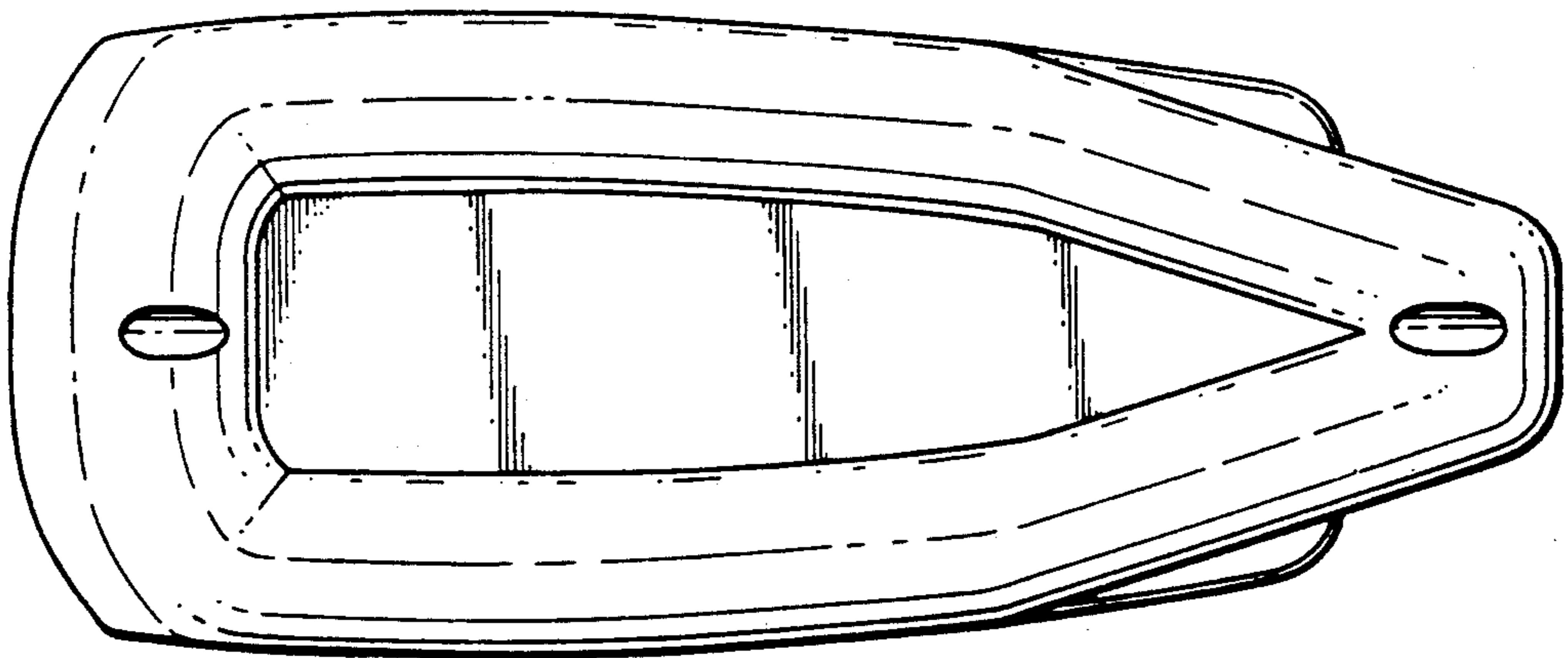


Fig. 6.

