



US00D323455S

United States Patent [19]

[11] Patent Number: **Des. 323,455**

Eichler

[45] Date of Patent: **** Jan. 28, 1992**

[54] ADHESIVE DISPENSING BOTTLE

FOREIGN PATENT DOCUMENTS

- [75] Inventor: **Klaus Eichler**, Buehl, Fed. Rep. of Germany
- [73] Assignee: **Lingner & Fischer GmbH**, Fed. Rep. of Germany
- [**] Term: **14 Years**
- [21] Appl. No.: **346,156**
- [22] Filed: **May 2, 1989**
- [30] Foreign Application Priority Data

1404567 5/1965 France D9/443 X

Primary Examiner—Bernard Ansher
Assistant Examiner—C. Tuttle
Attorney, Agent, or Firm—Rosenman & Colin

- Nov. 4, 1988 [GB] United Kingdom 10-54795
- [52] U.S. Cl. **D9/337; D9/338; D9/403**
- [58] Field of Search D9/337, 338, 367, 389, D9/398, 403, 410, 434-436, 447, 449, 417; D19/44, 66; 215/1 C; 206/229, 806; 401/261, 262, 265; 222/206, 212, 213, 215, 491, 494

[57] CLAIM

The ornamental design for an adhesive dispensing bottle, as shown and described.

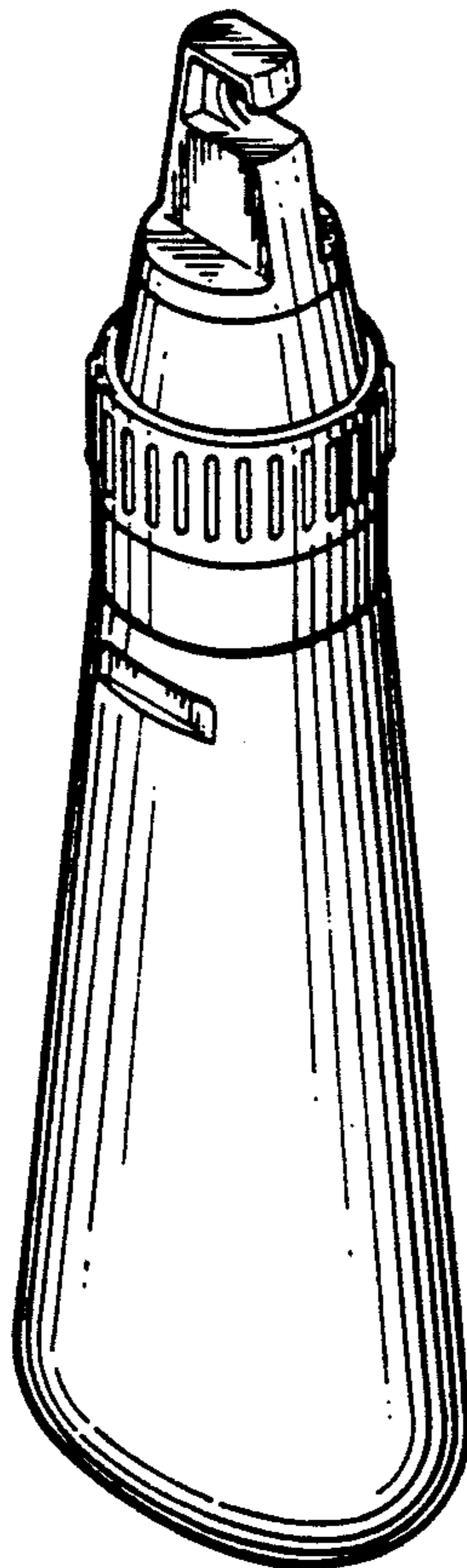
DESCRIPTION

[56] References Cited

U.S. PATENT DOCUMENTS

- D. 139,381 11/1944 Harris D9/389
- D. 223,437 4/1972 Lluch D9/353
- D. 232,157 7/1974 Jacobs D9/370
- D. 236,802 9/1975 McDonald D9/389
- D. 264,990 6/1982 Stock D9/352
- D. 275,754 9/1984 Mitchell D9/389
- D. 311,139 10/1990 Butler D9/443
- D. 311,328 10/1990 Van Der Tange D9/337

FIG. 1 is a top perspective view of an adhesive dispensing bottle showing my new design;
 FIG. 2 is a right side elevational view thereof;
 FIG. 3 is a left side elevational view thereof;
 FIG. 4 is a bottom plan view thereof;
 FIG. 5 is a top plan view thereof;
 FIG. 6 is a front elevational view thereof;
 FIG. 7 is a front elevational view shown with the cap portion in an alternate position;
 FIG. 8 is a front elevational view shown with the cap portion removed and the nozzle extended for clarity of illustration;
 FIG. 9 is a front elevational view shown with the cap portion removed and the nozzle retracted;
 FIG. 10 is a top plan view shown with the cap removed and the nozzle in the extended position; and
 FIG. 11 is a top plan view of the cap element shown separately for clarity of illustration.



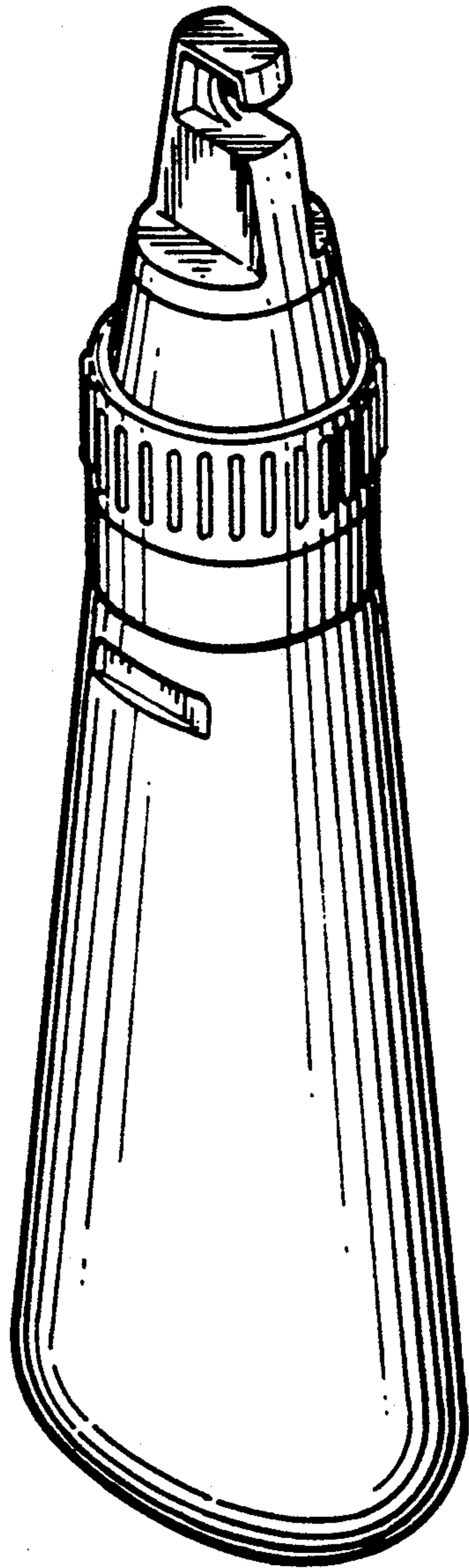


Fig. 1

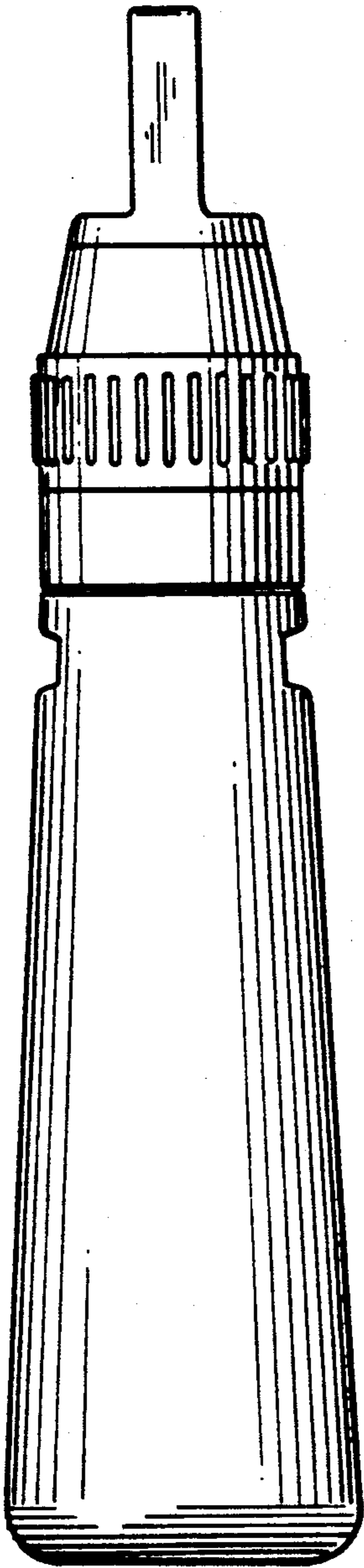


Fig. 2

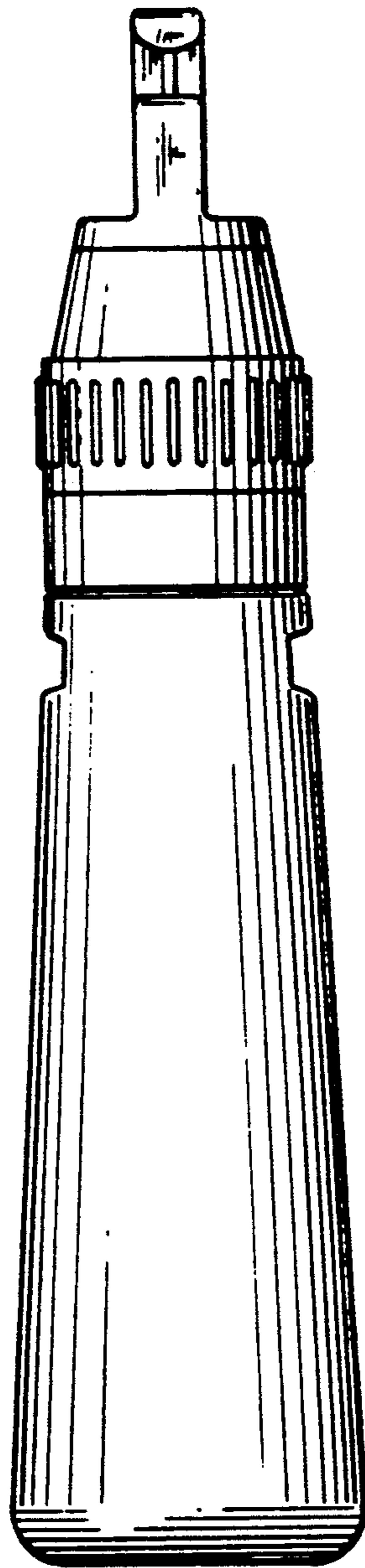


Fig. 3

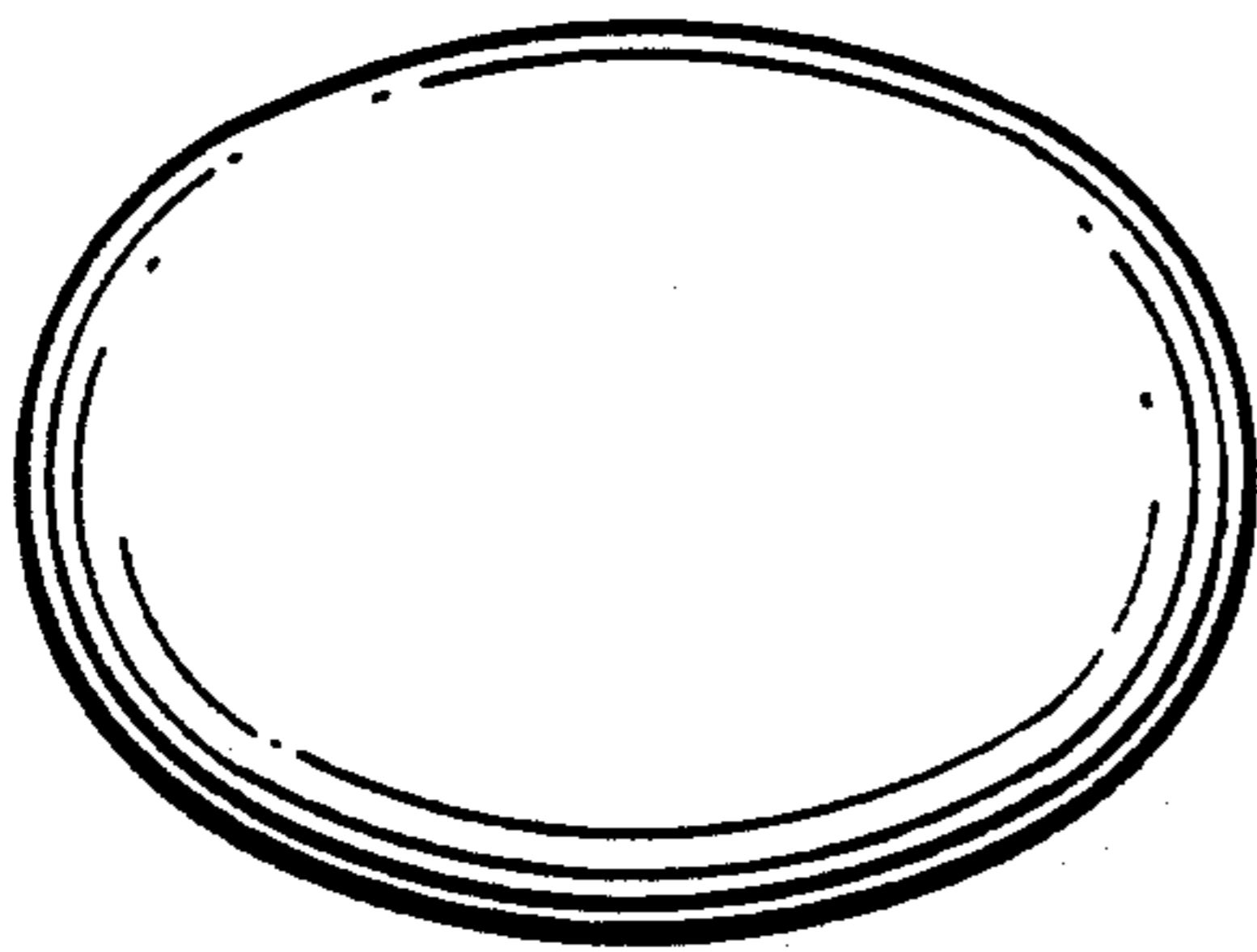


Fig. 4

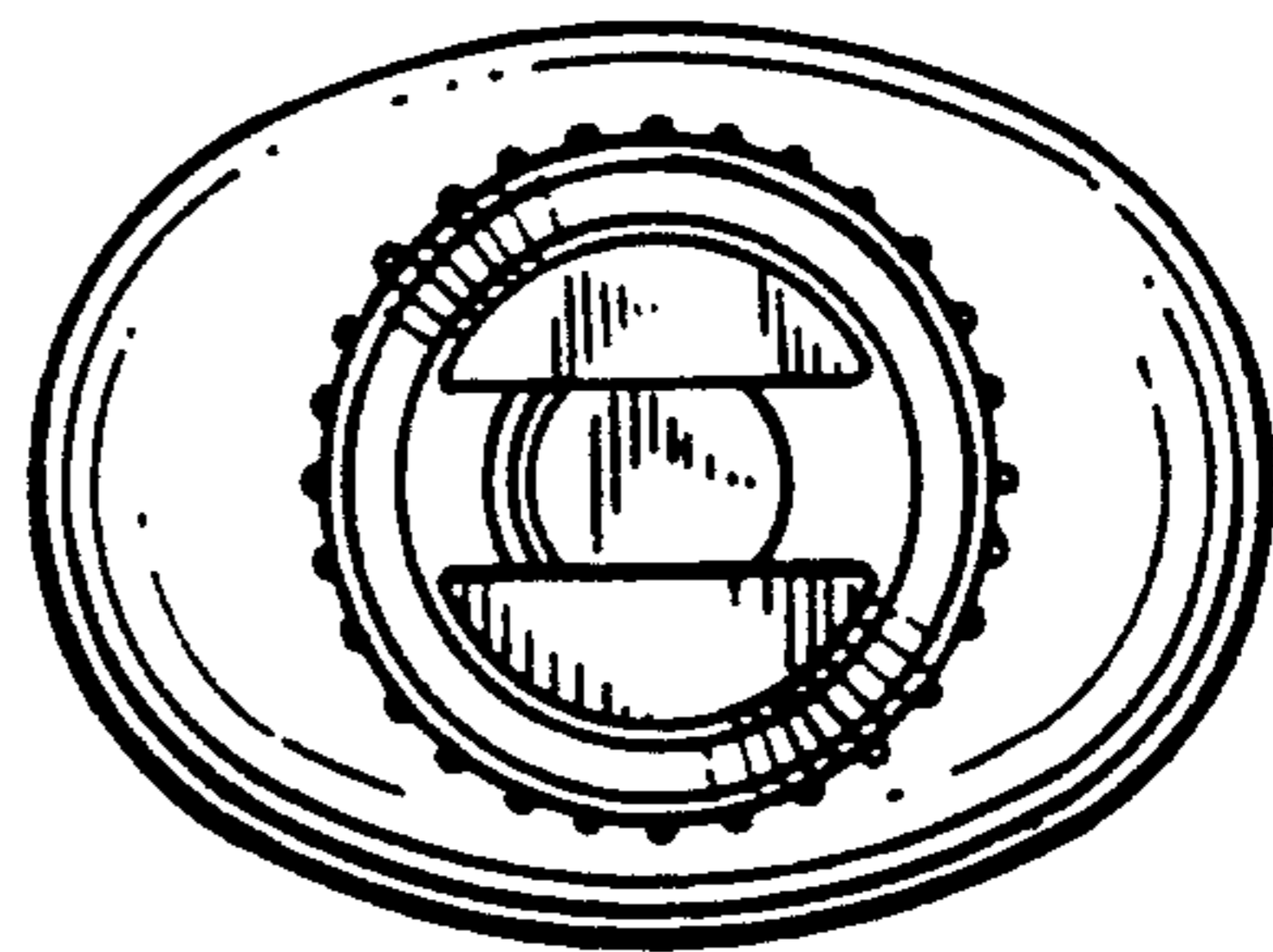


Fig. 5

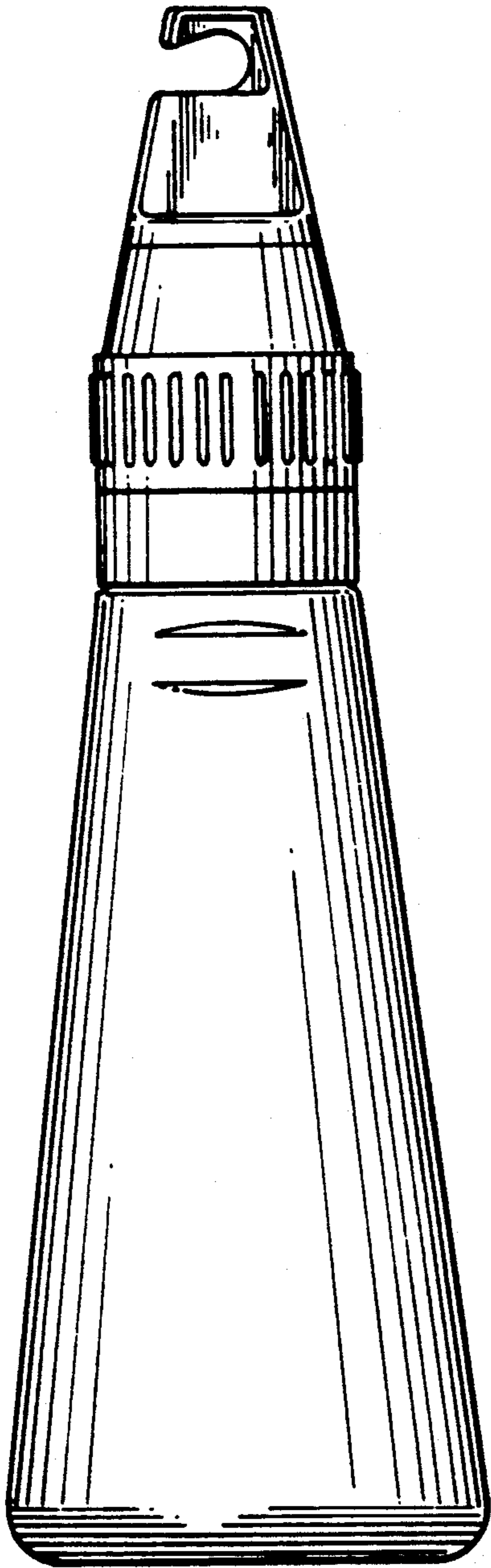


Fig. 6

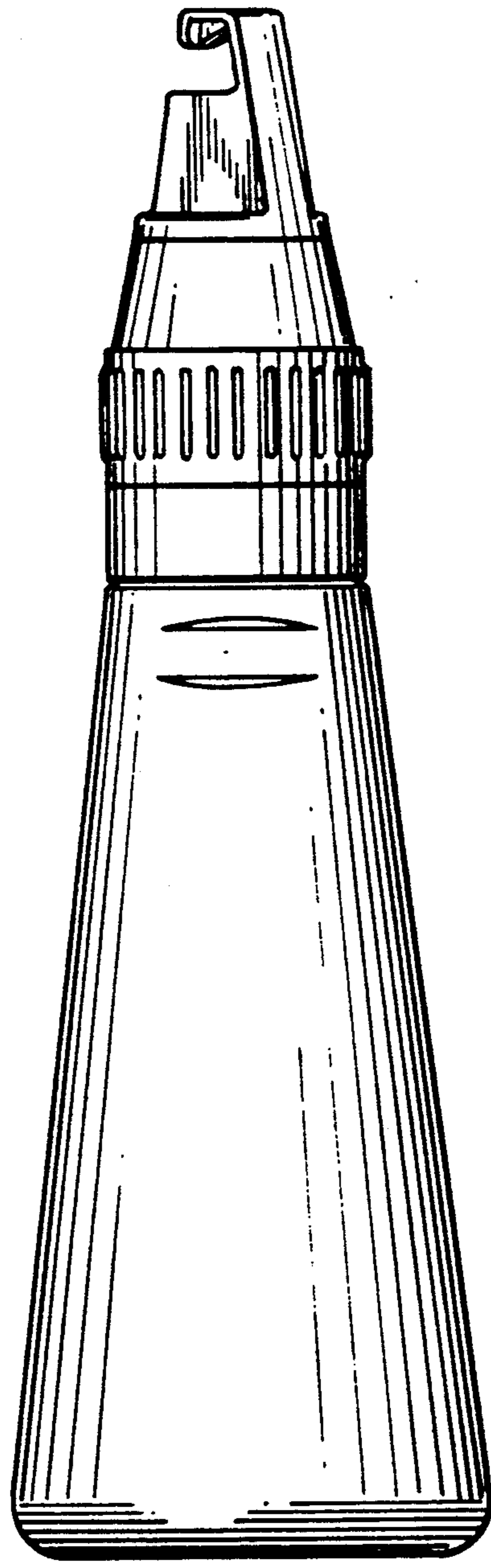


Fig. 7

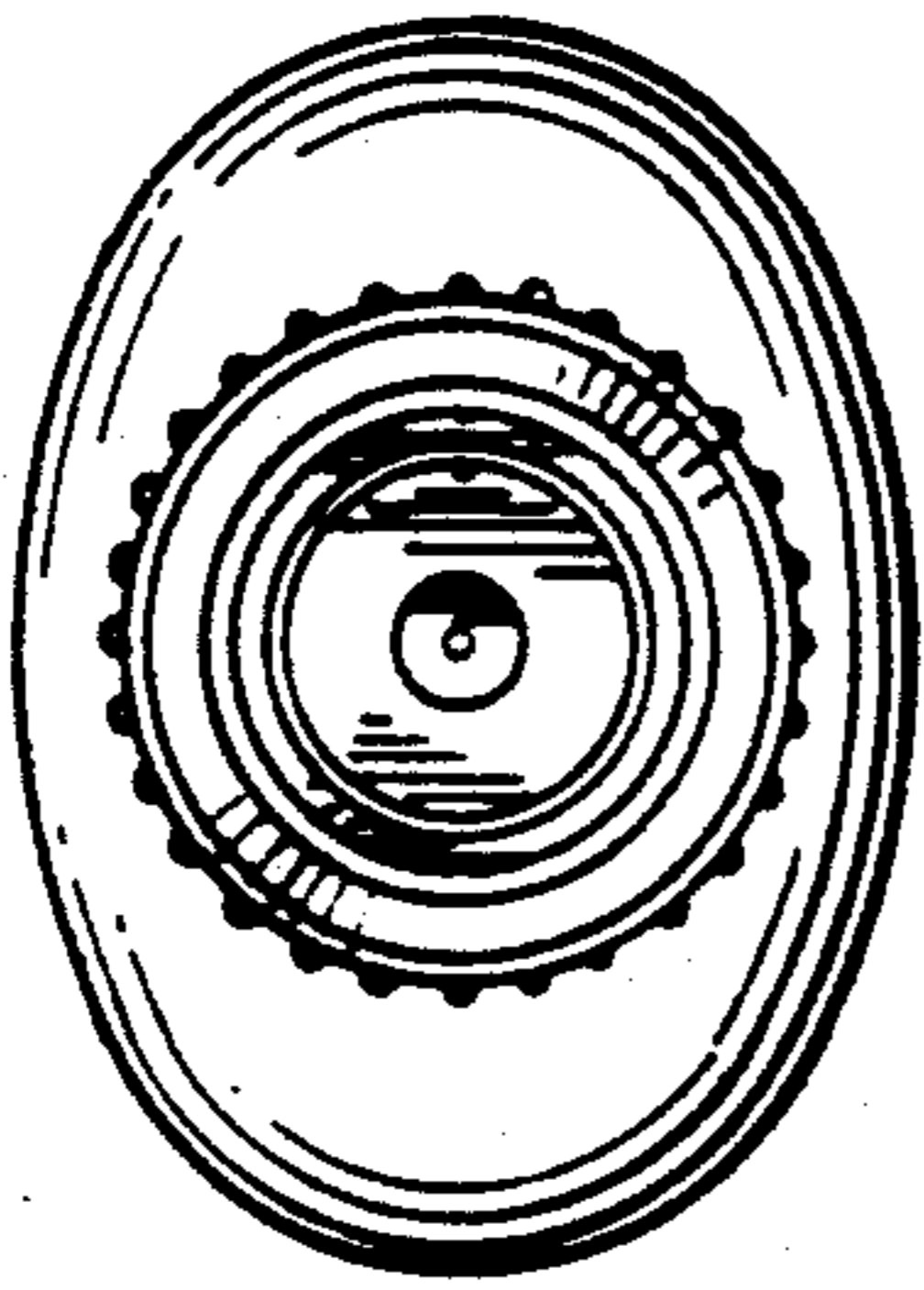
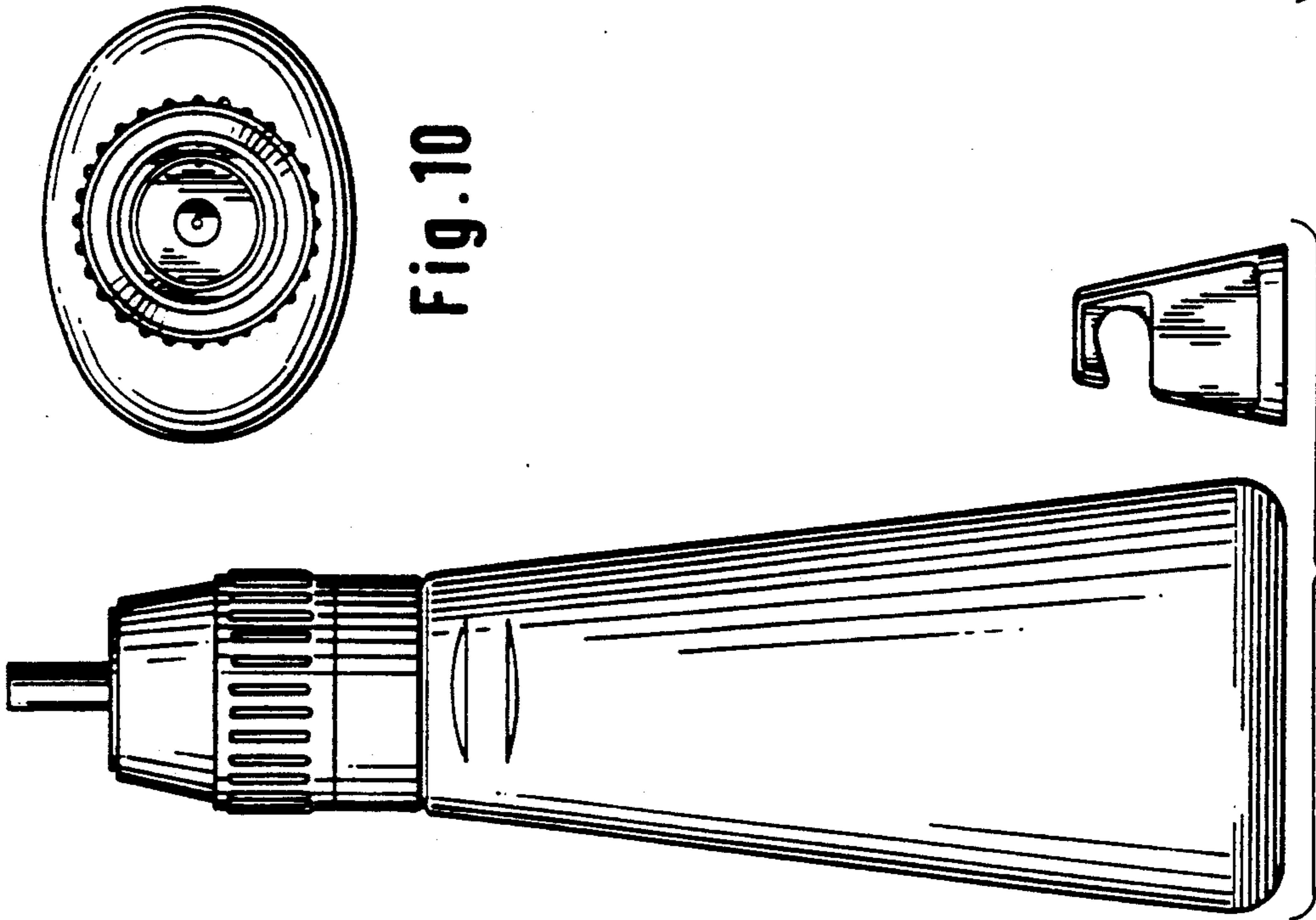


Fig. 10

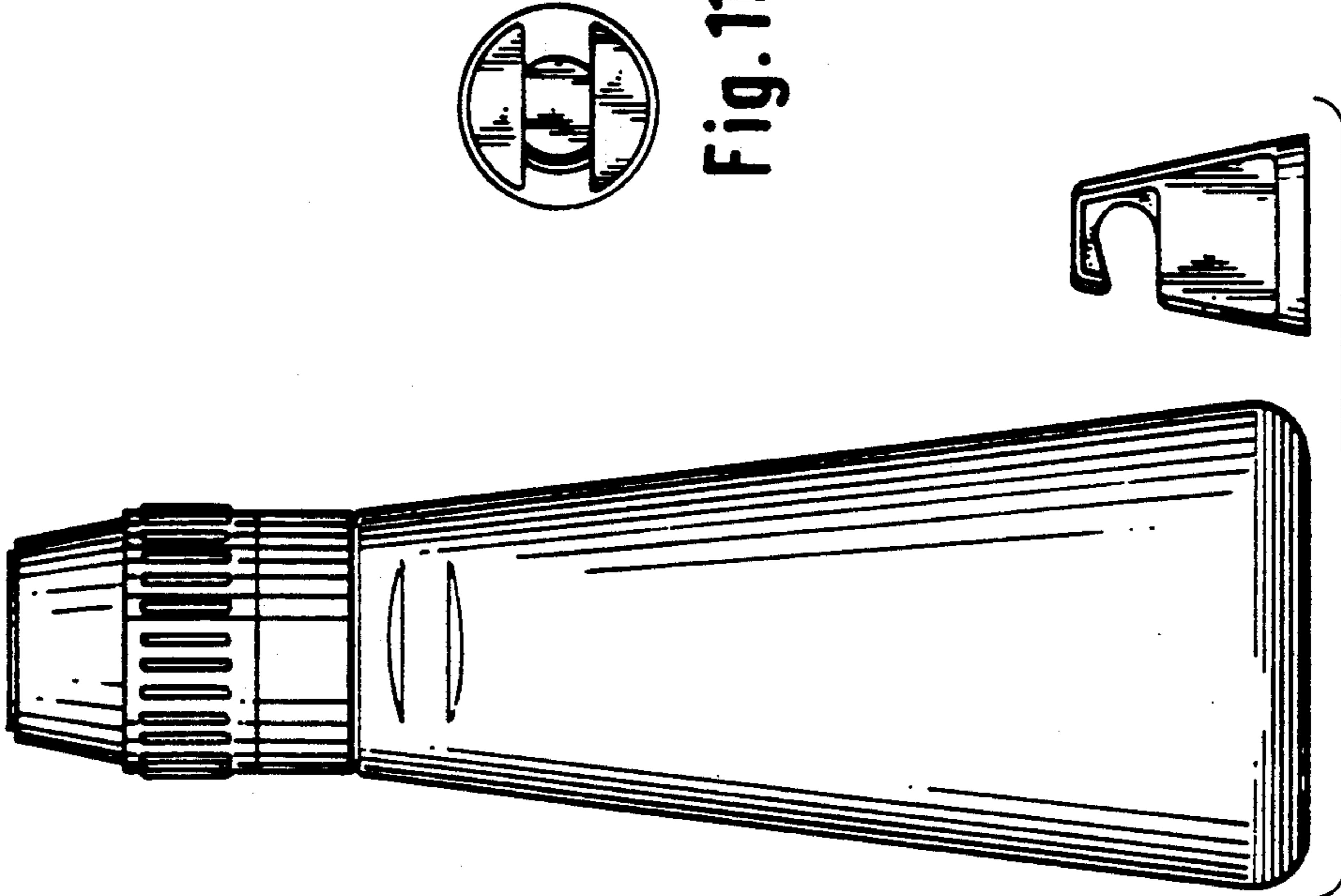


Fig. 11