



US00D323454S

# United States Patent [19]

[11] Patent Number: **Des. 323,454**

Wiley

[45] Date of Patent: **\*\* Jan. 28, 1992**

[54] **BRACKET FOR ATTACHING A NOZZLE AND LIGHT**

2,212,156 8/1940 Erdley ..... 24/510  
3,582,029 6/1971 Moesta ..... 248/68.1  
4,114,846 9/1978 Petersen ..... 248/68.1

[76] Inventor: **Novoy O. Wiley**, 14606 S. Lemoli St., Hawthorne, Calif. 90250

*Primary Examiner*—B. J. Bullock  
*Attorney, Agent, or Firm*—Roger A. Marrs

[\*\*] Term: **14 Years**

[57] **CLAIM**

[21] Appl. No.: **513,160**

The ornamental design for a bracket for attaching a nozzle and light, as shown and described.

[22] Filed: **Apr. 23, 1990**

**DESCRIPTION**

[52] U.S. Cl. .... **D8/396; D23/223; D26/113**

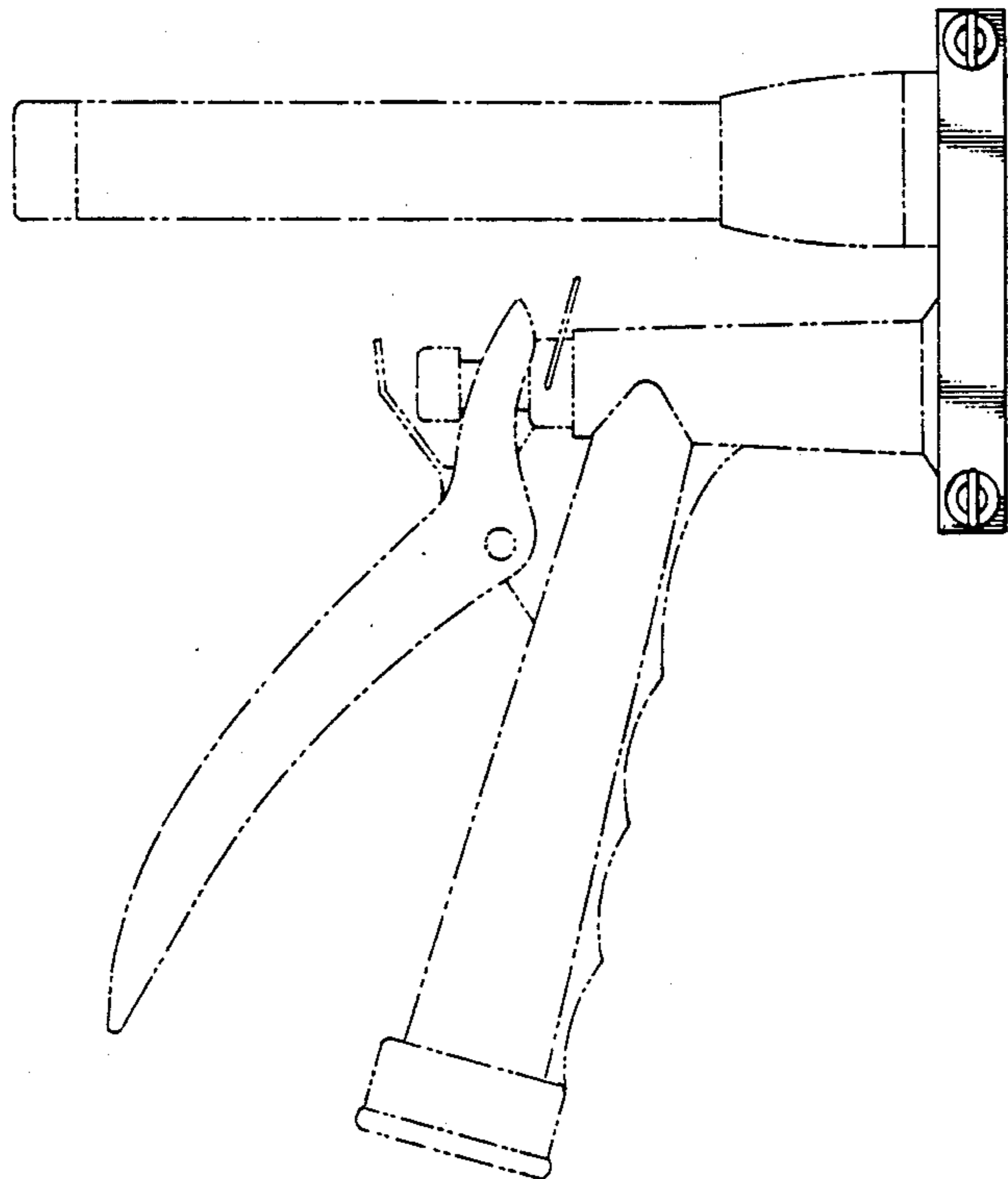
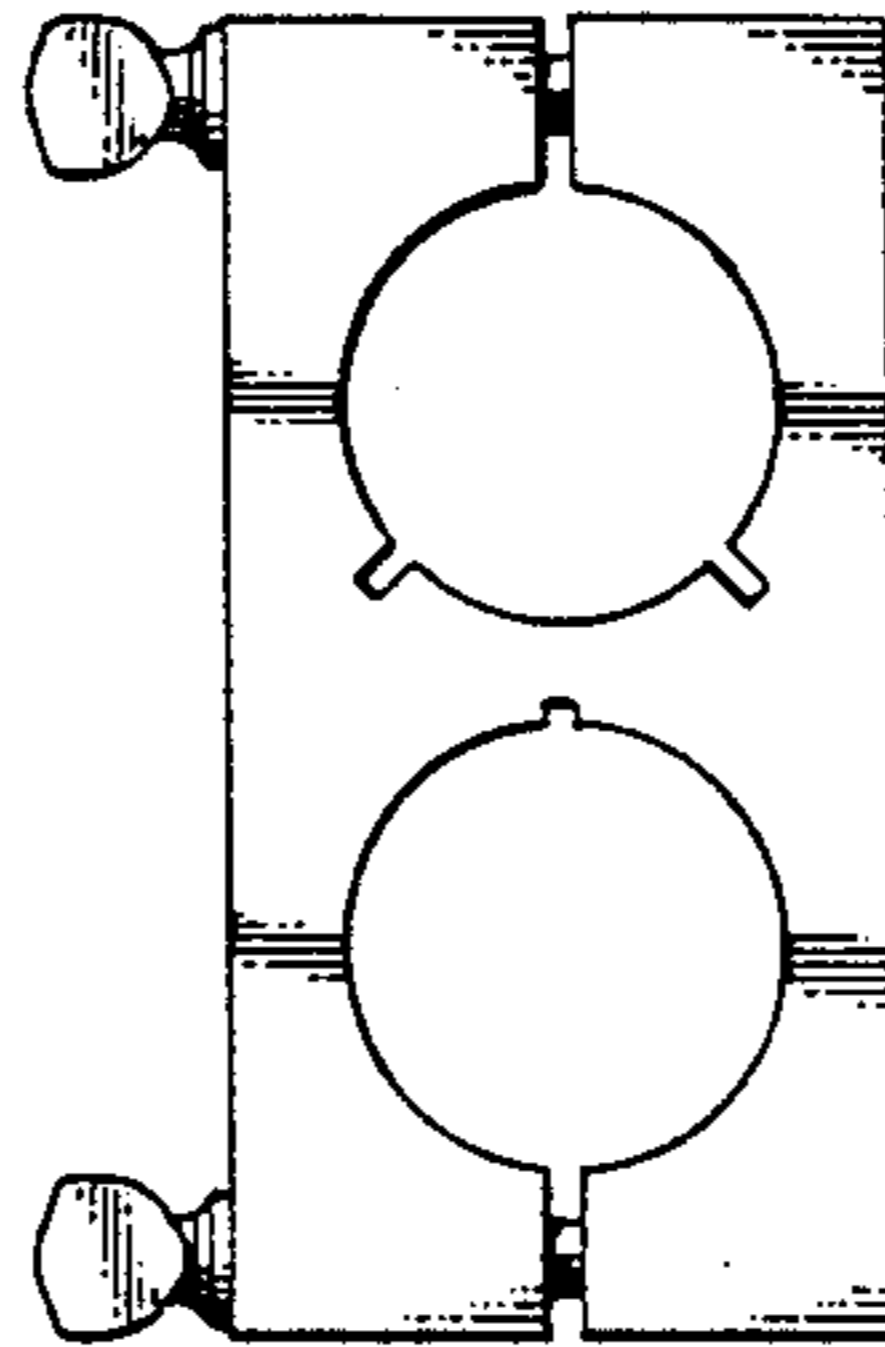
[58] Field of Search ..... **D8/396; D26/113; 24/335, 336; 248/68.1; 362/396; D23/223, 228**

FIG. 1 is a front elevational view of a bracket for attaching a nozzle and a light showing my new design, the rear being a mirror image;  
FIG. 2 is a right side elevational view thereof;  
FIG. 3 is a top plan view thereof with bottom view being identical; and  
FIG. 4 is a left side elevational view thereof, the light and nozzle being shown in broken lines for illustrative purposes only.

[56] **References Cited**

**U.S. PATENT DOCUMENTS**

D. 230,826 3/1974 Menshen ..... D8/396  
D. 293,206 12/1987 Beaty et al. .... D8/396  
D. 298,739 11/1988 Richards, Jr. .... D8/396



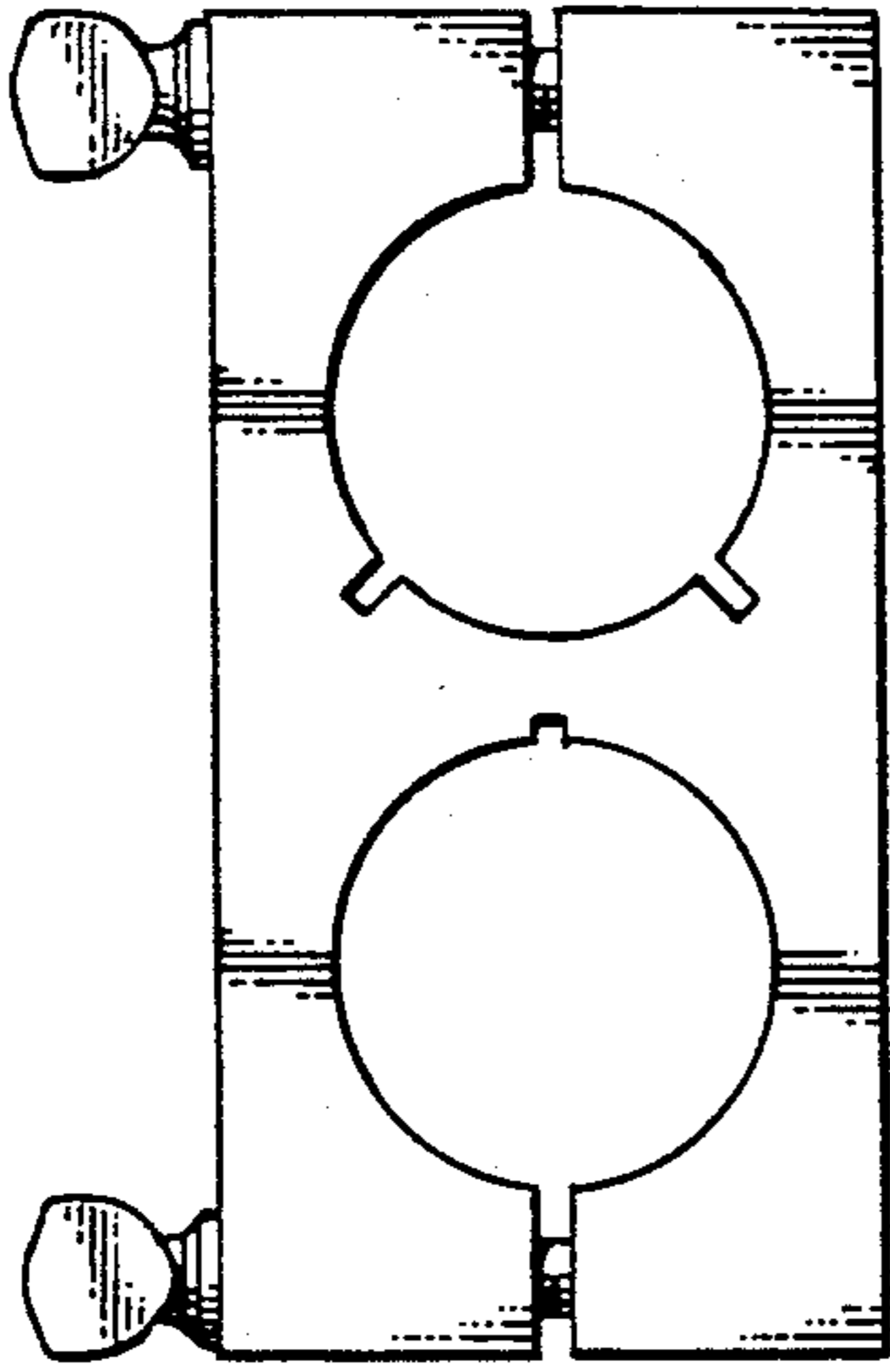


FIG. 1.



FIG. 2.



FIG. 3.

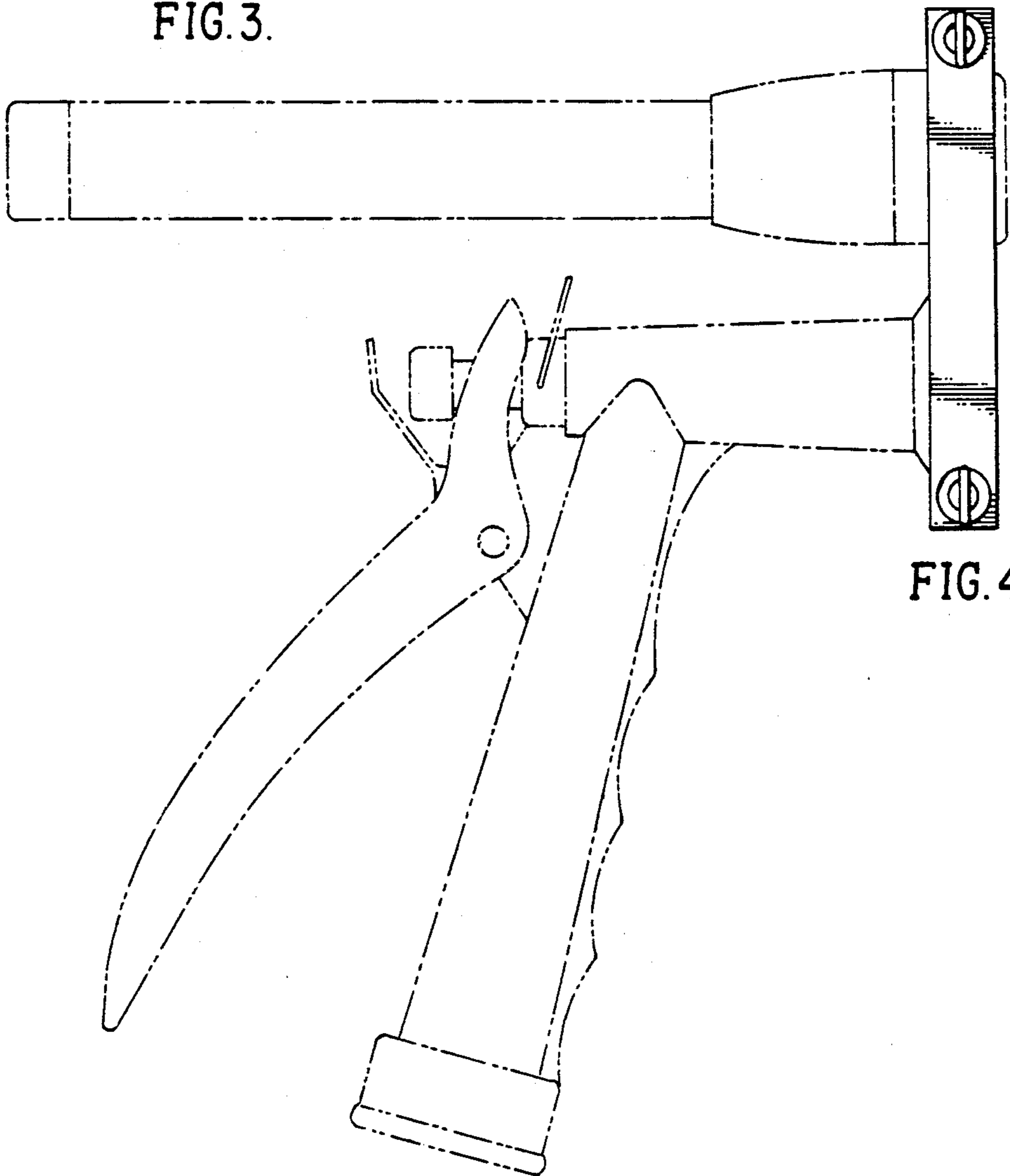


FIG. 4.