



US00D323447S

United States Patent [19]

[11] Patent Number: **Des. 323,447**

Booz

[45] Date of Patent: **** Jan. 28, 1992**

[54] **FOOD BAR TRAY**

4,964,514 10/1990 Wycech 206/564

[76] Inventor: **Cory W. Booz, 3545 N. Bales, Kansas City, Mo. 64117**

Primary Examiner—Terry A. Pfeffer
Attorney, Agent, or Firm—Kokjer, Kircher, Bowman & Johnson

[**] Term: **14 Years**

[21] Appl. No.: **443,758**

[57] **CLAIM**

[22] Filed: **Nov. 30, 1989**

The ornamental design for a food bar tray, as shown and described.

[52] U.S. Cl. **D7/616**

[58] Field of Search **D7/543, 548, 550, 553, D7/616, 619; 206/557, 562-564; 211/74; 229/904**

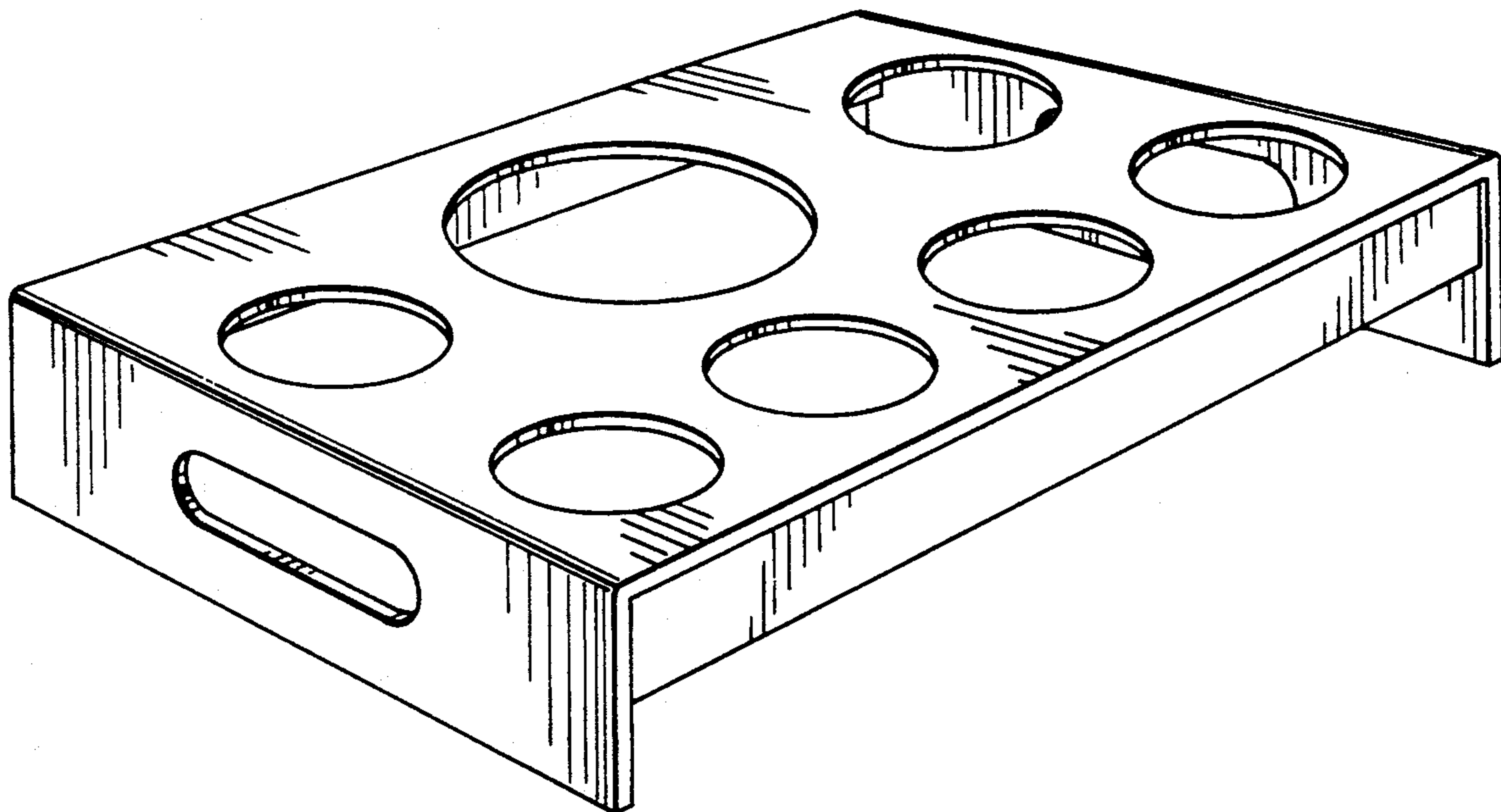
DESCRIPTION

[56] **References Cited**

U.S. PATENT DOCUMENTS

- D. 241,221 8/1976 Cormier D7/605 X
- D. 300,290 3/1989 Moberg D7/616
- 2,906,412 9/1959 Tanner D7/553 X

FIG. 1 is a perspective view of a food bar tray showing my new design;
 FIG. 2 is a front elevational view thereof, the rear being identical;
 FIG. 3 is a left side elevational view thereof, the right side view being identical.
 FIG. 4 is a top plan view thereof; and
 FIG. 5 is a bottom plan view thereof.



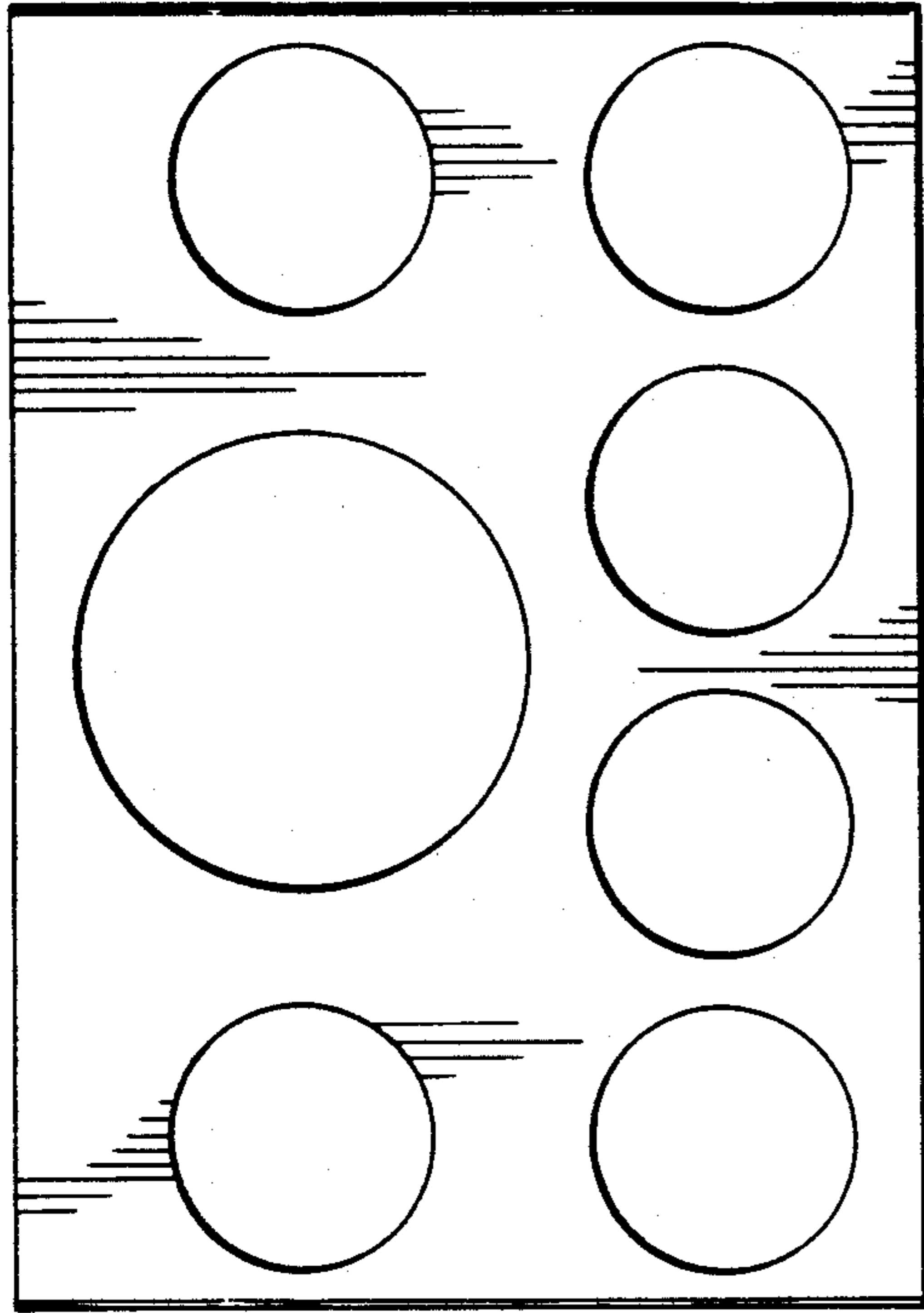


Fig. 4.

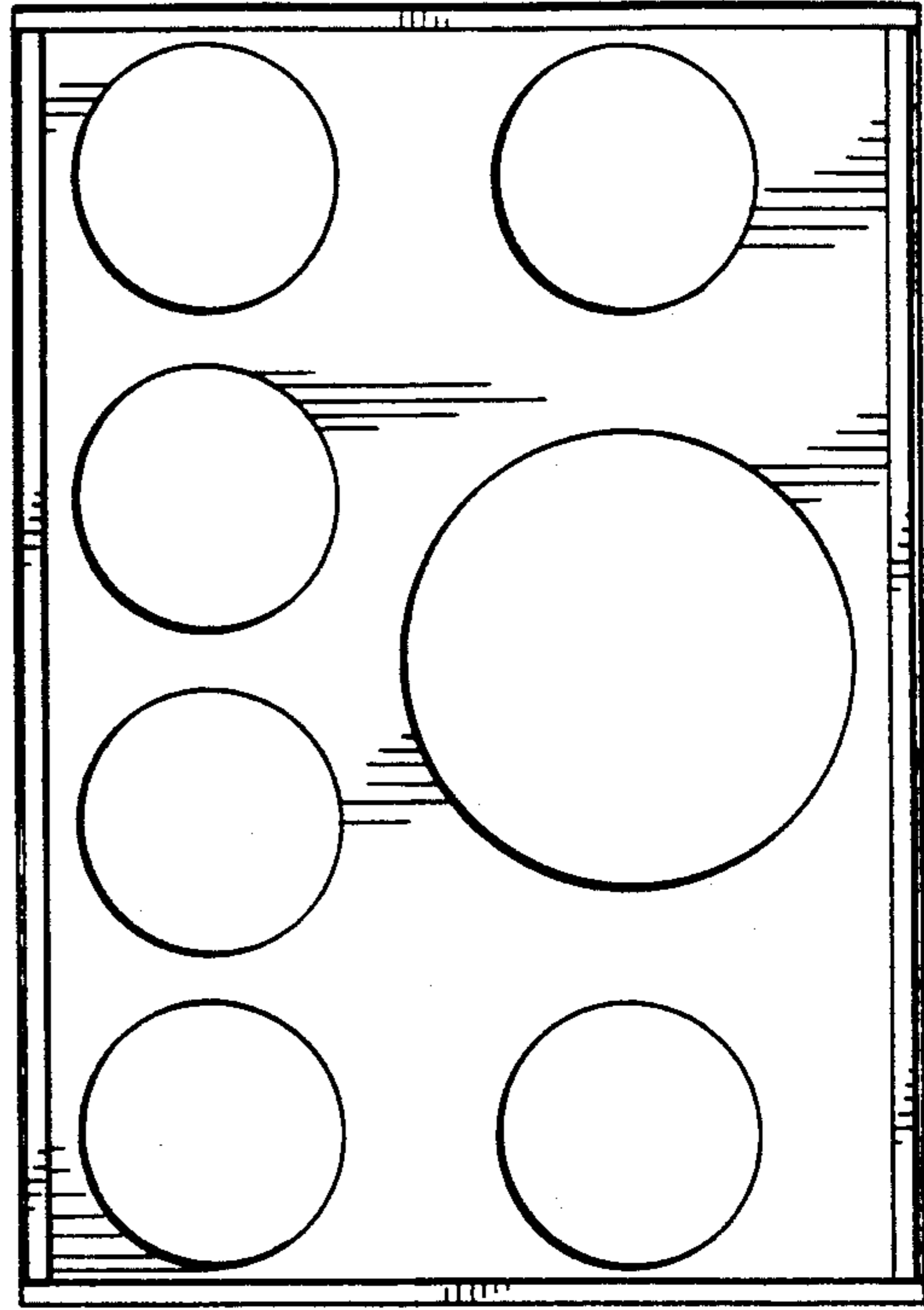


Fig. 5.

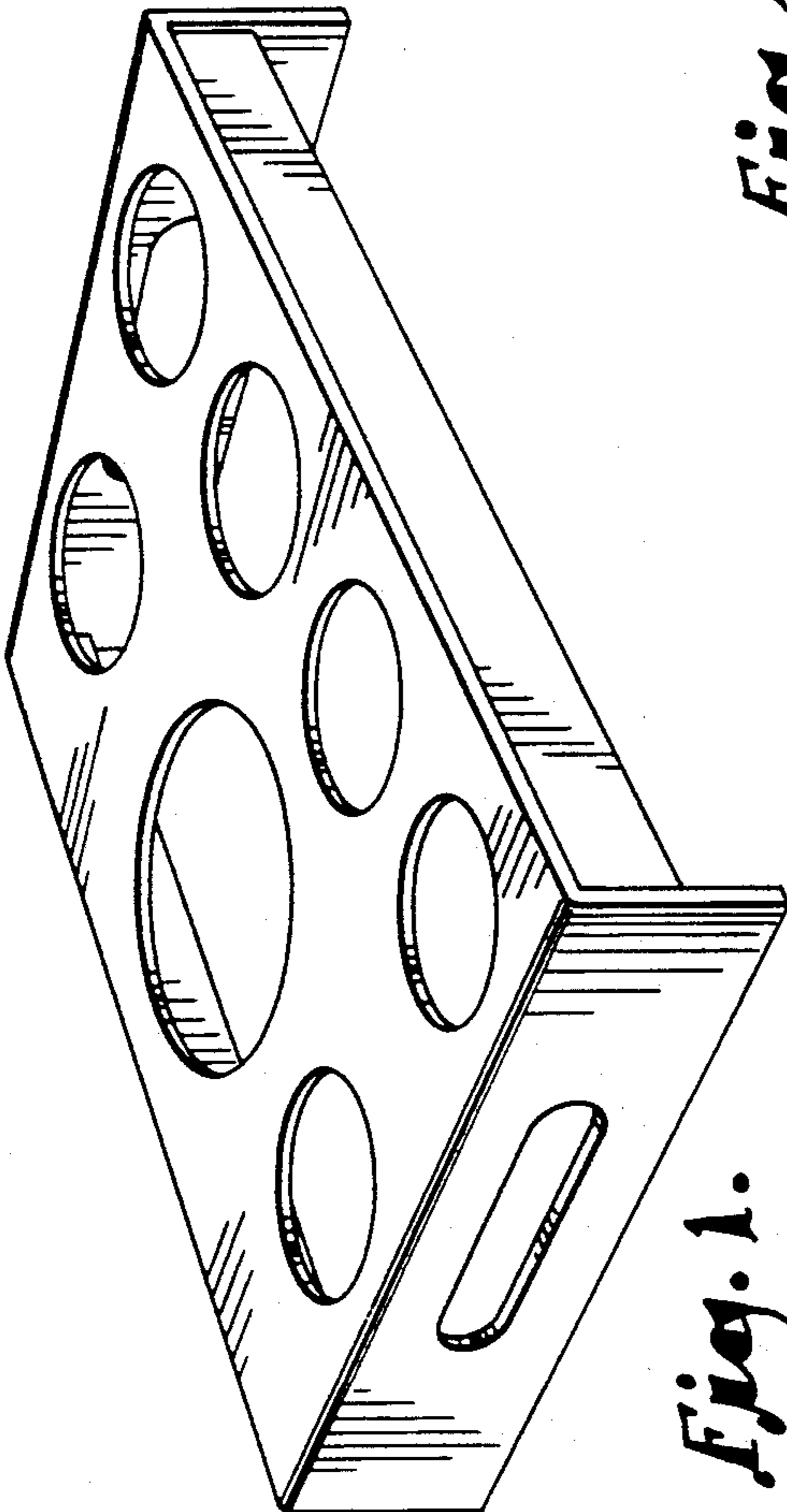


Fig. 1.

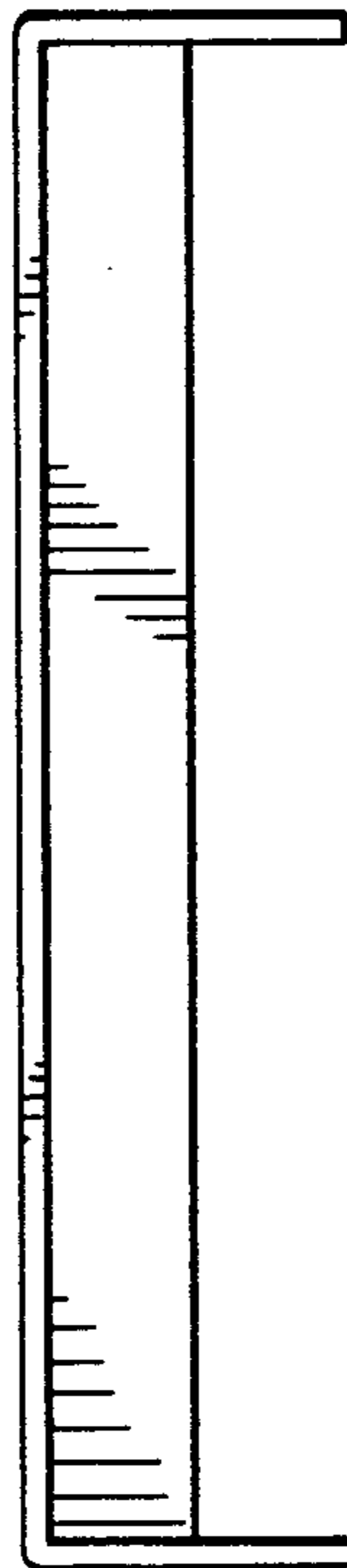


Fig. 2.

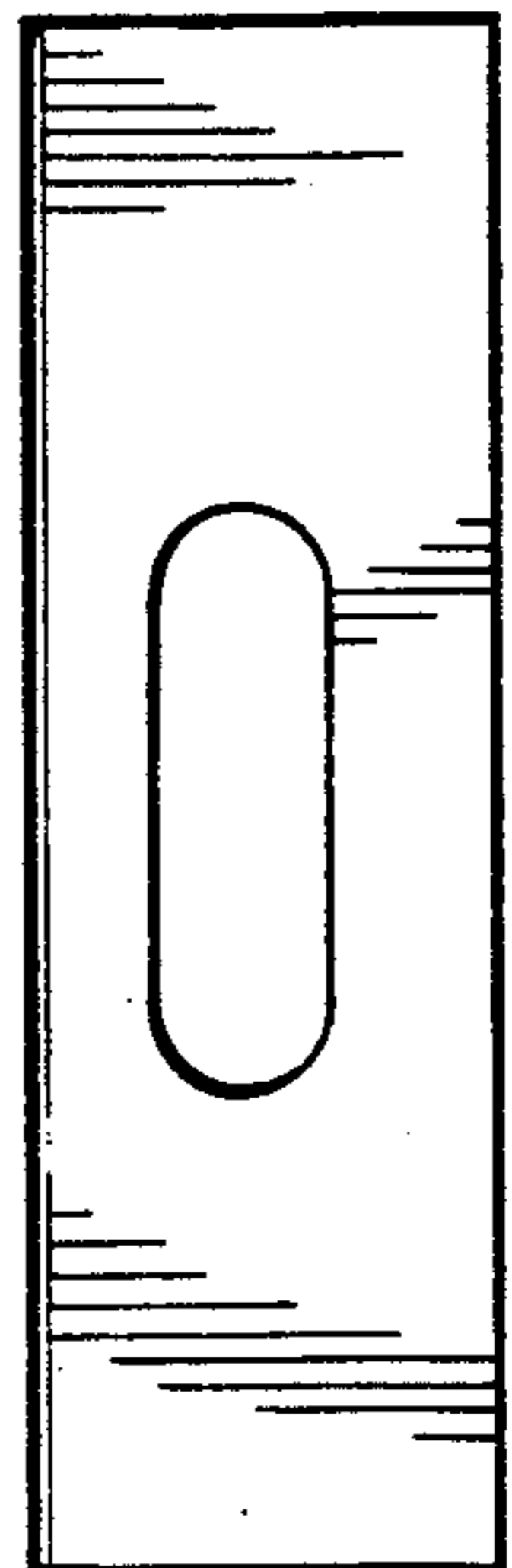


Fig. 3.