



US00D323446S

United States Patent [19]
Morse

[11] **Patent Number: Des. 323,446**
[45] **Date of Patent: ** Jan. 28, 1992**

[54] **SPICE CONTAINER RACK**

[56] **References Cited**

U.S. PATENT DOCUMENTS

[76] **Inventor: Guy Morse, 516 Palace Dr.,
Altamonte Springs, Fla. 32714**

D. 271,655 12/1983 Numbers D7/616
2,649,969 8/1953 Andrews 211/71
4,239,121 12/1980 Hodes D6/457 X
4,775,055 10/1988 Morse D6/457 X

[**] **Term: 14 Years**

Primary Examiner—Terry A. Pfeffer
Attorney, Agent, or Firm—William M. Hobby, III

[21] **Appl. No.: 424,330**

[57] **CLAIM**

The ornamental design for a spice container rack, as shown.

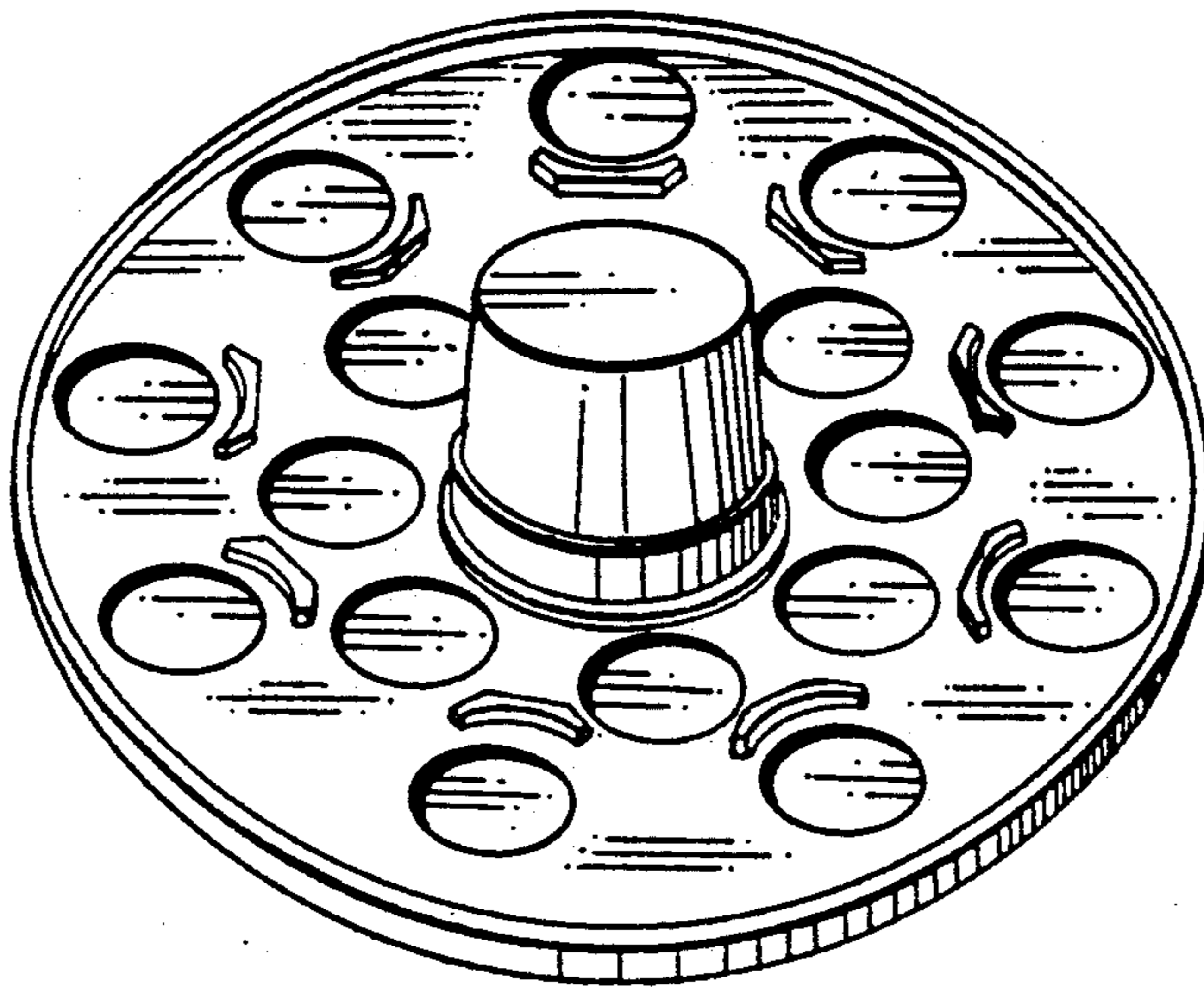
[22] **Filed: Oct. 19, 1988**

DESCRIPTION

[52] **U.S. Cl. D7/616; D7/590;
D6/457; D6/469**

FIG. 1 is a front perspective view of a spice container rack showing my design;
FIG. 2 is a top plan view thereof;
FIG. 3 is a side elevation view thereof; and
FIG. 4 is a bottom plan view thereof.

[58] **Field of Search D7/616-618,
D7/590; D6/457, 455, 469; 211/74, 77, 78, 71,
163**



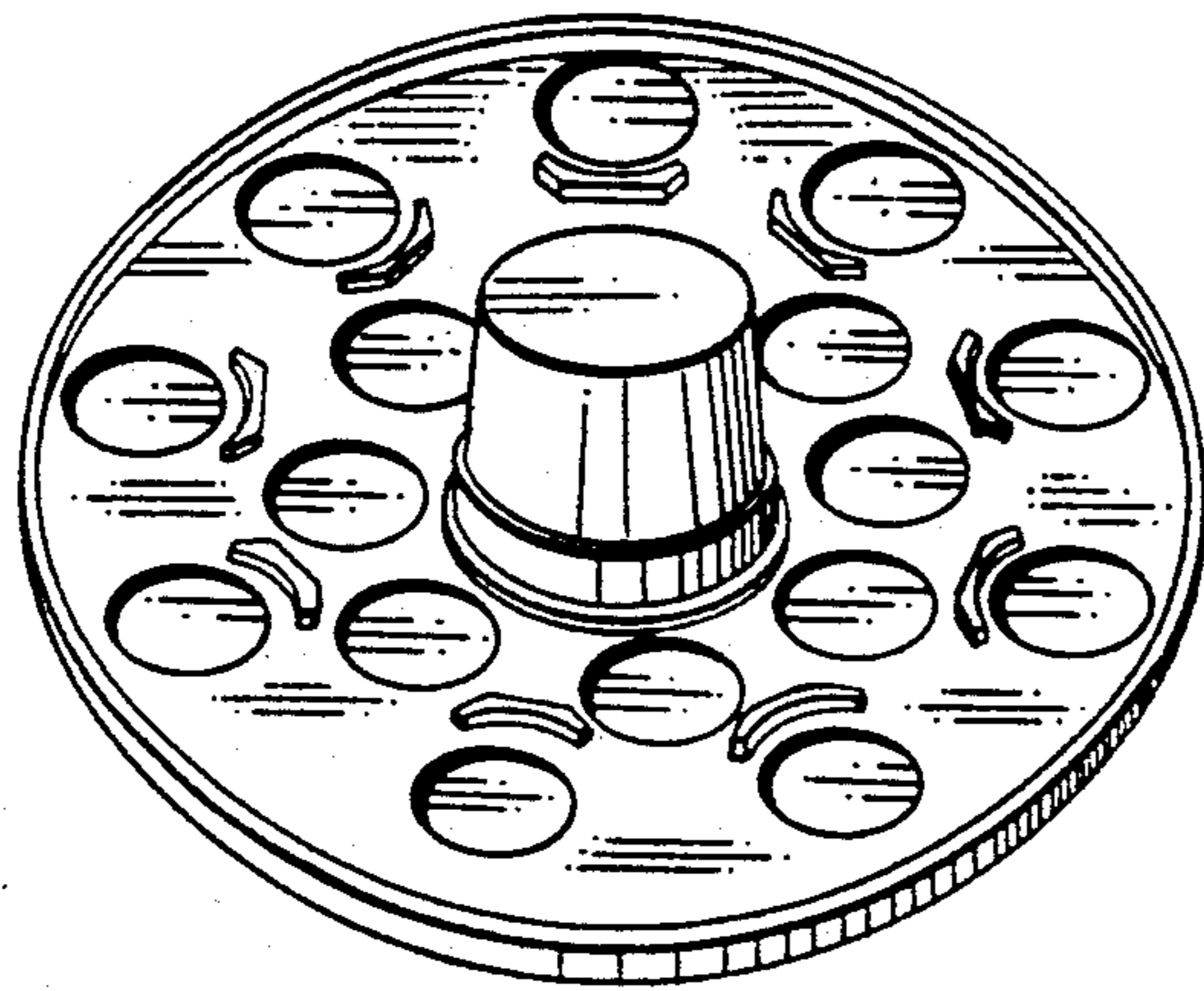


FIG. 1

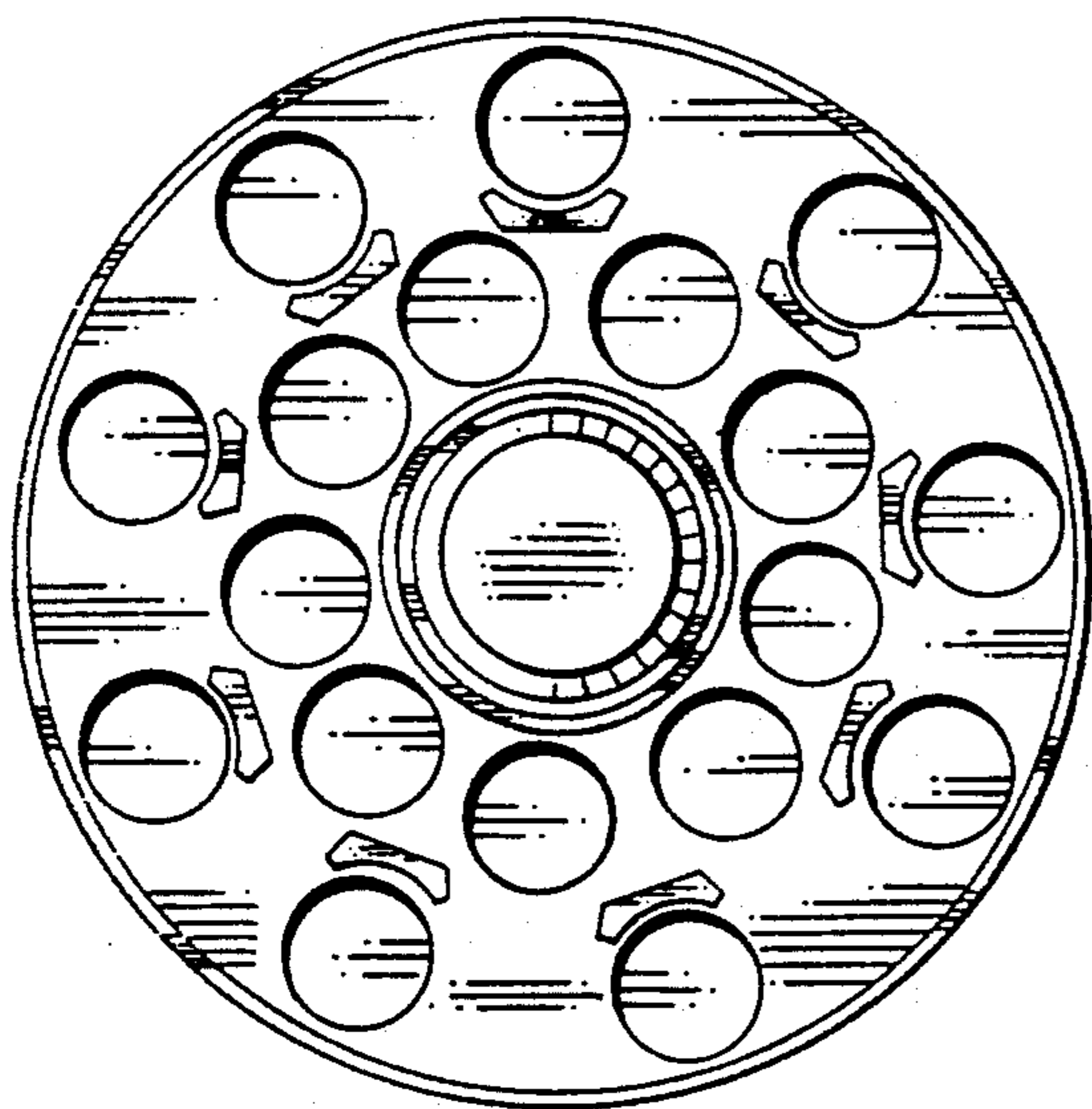


FIG. 2

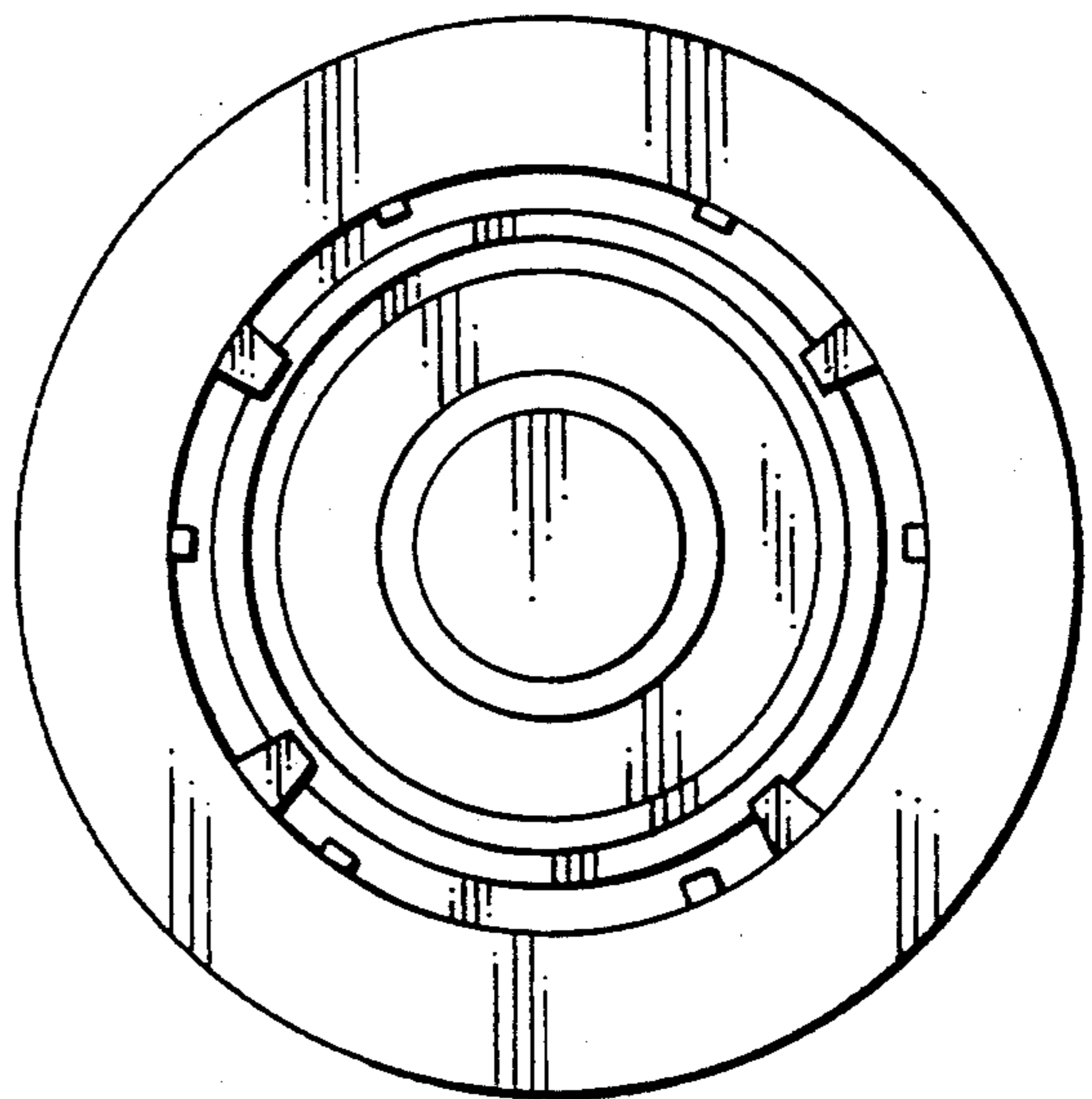


FIG. 4

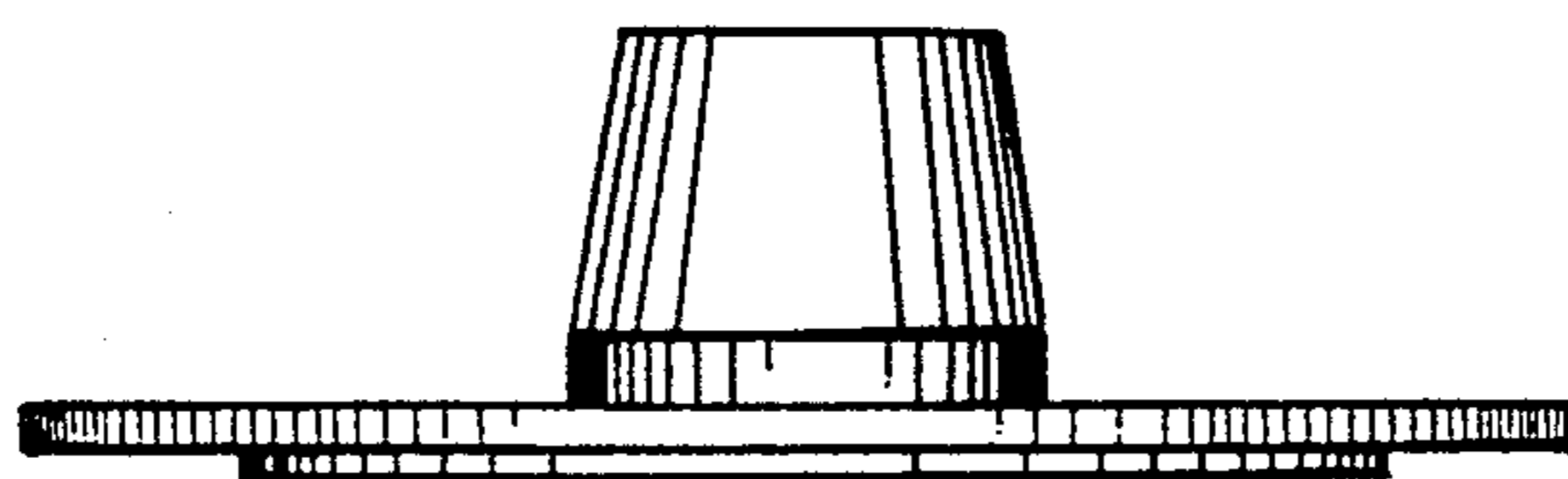


FIG. 3