



US00D323444S

United States Patent [19] Masters

[11] Patent Number: **Des. 323,444**
[45] Date of Patent: **** Jan. 28, 1992**

[54] **BARBEQUE GRILL**
[76] Inventor: **Michael Masters, Box 3111, Road Town, Tortola, British Virgin Isls.**
[**] Term: **14 Years**
[21] Appl. No.: **392,246**
[22] Filed: **Aug. 10, 1989**
[52] U.S. Cl. **D7/332**
[58] Field of Search **D7/331, 332, 335, 337-339; 126/25 R, 25 A, 25 AA, 25 B, 29-30, 27, 9 R, 38, 41 R**

D. 282,619 2/1986 Fitzgerald et al. D7/332
D. 287,215 12/1986 Koziol D7/332
D. 294,217 2/1988 Haglund D7/337
4,518,189 5/1985 Belt 296/22

Primary Examiner—A. Hugo Word
Assistant Examiner—Ruth McInroy
Attorney, Agent, or Firm—David H. Semmes

[57] CLAIM

The ornamental design for a barbeque grill, as shown and described.

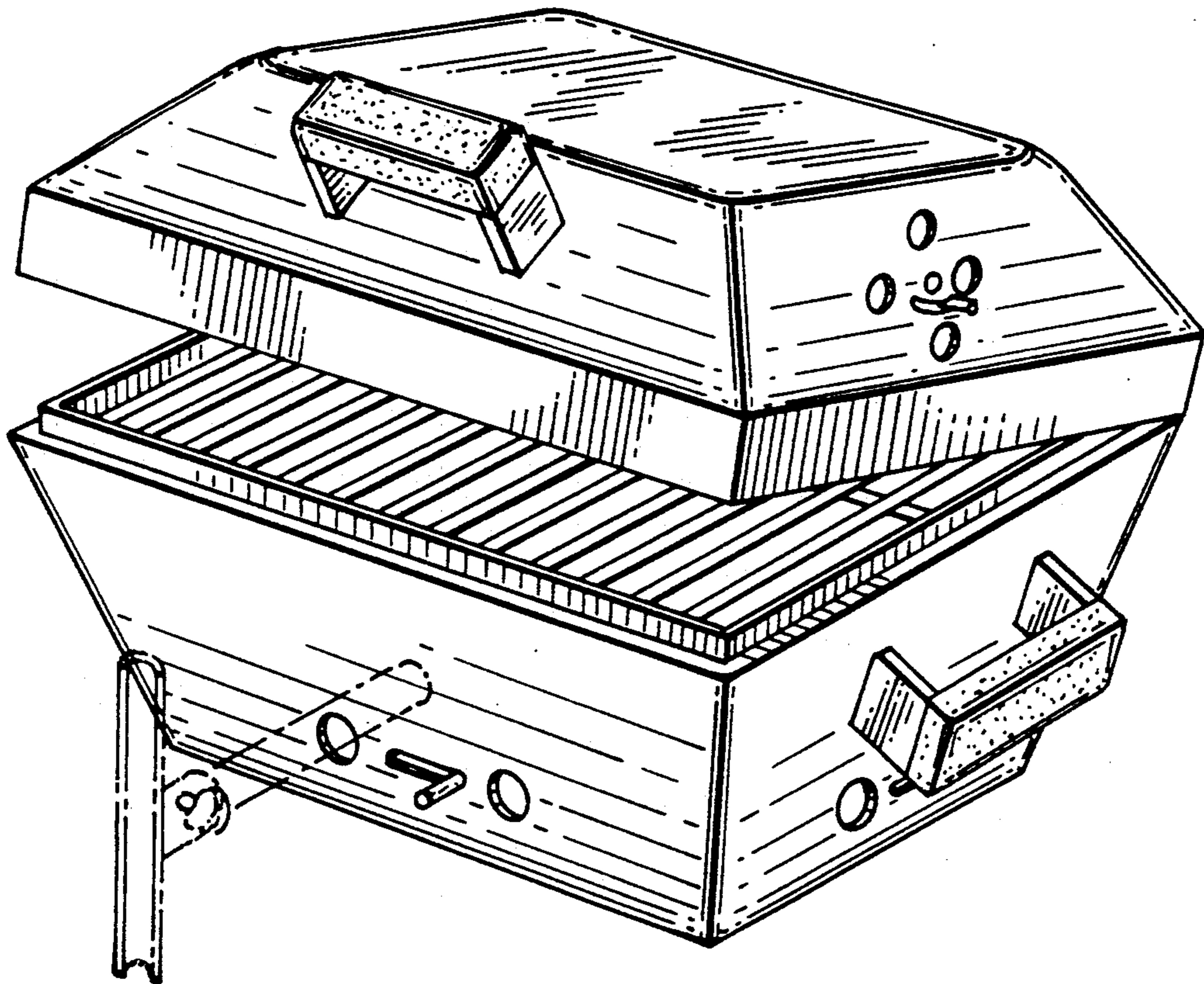
DESCRIPTION

FIG. 1 is a perspective view of a barbeque grill with the hinged top in an open position showing my new design; FIG. 2 is a front elevational view thereof; FIG. 3 is a side elevational view thereof; FIG. 4 is a top plan view thereof; and FIG. 5 is a bottom plan view thereof.

The bracket shown in broken lines in FIG. 1 is for illustrative purposes only and forms no part of the claimed design.

[56] References Cited U.S. PATENT DOCUMENTS

D. 206,976 2/1967 Koziol D81/10
D. 220,731 5/1971 Herr D7/335
D. 231,070 4/1974 Koziol D7/2
D. 260,224 8/1981 Larson D7/2
D. 260,347 8/1981 Larson D7/2
D. 275,640 9/1984 Haglund D7/337



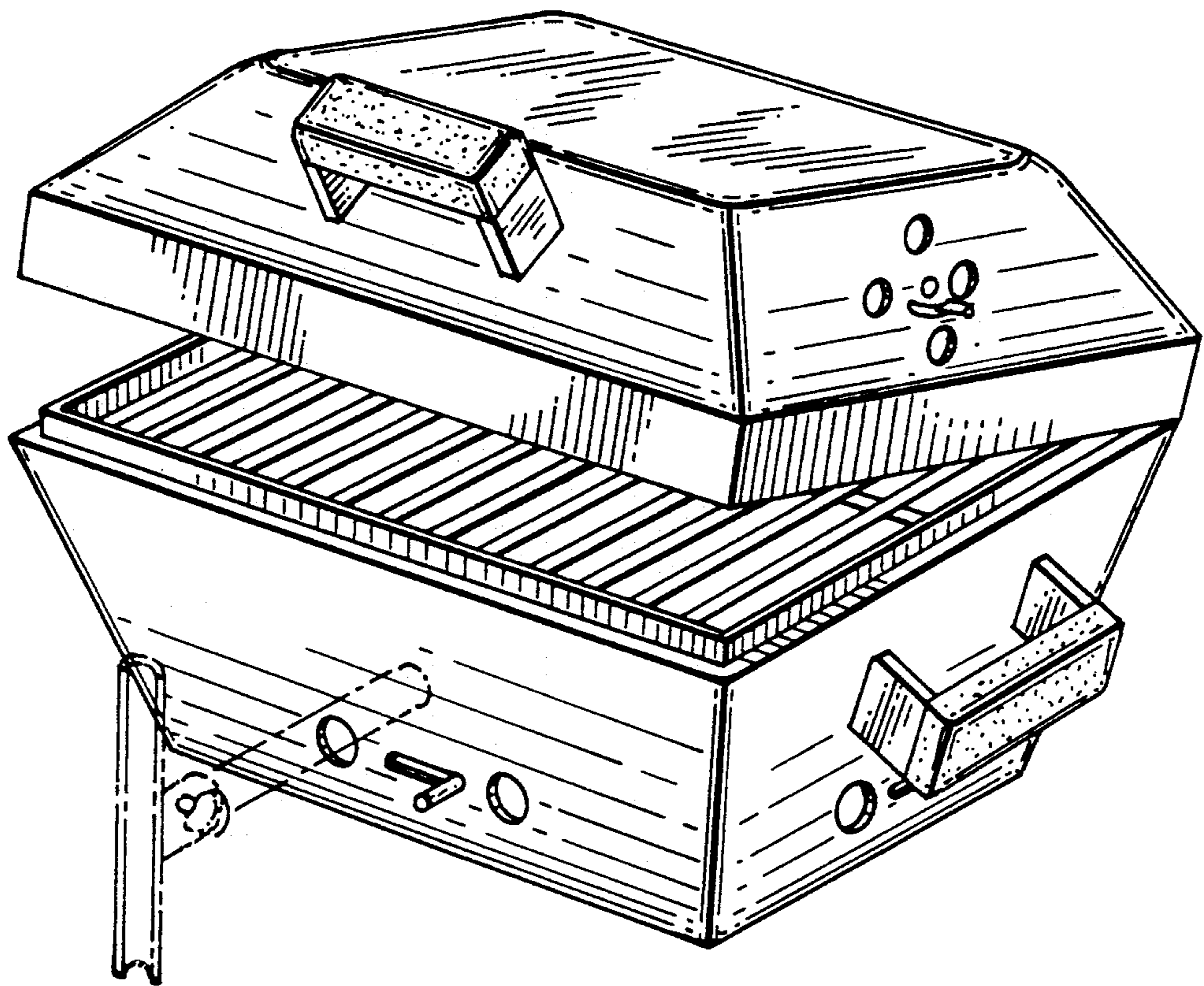


FIG. 1

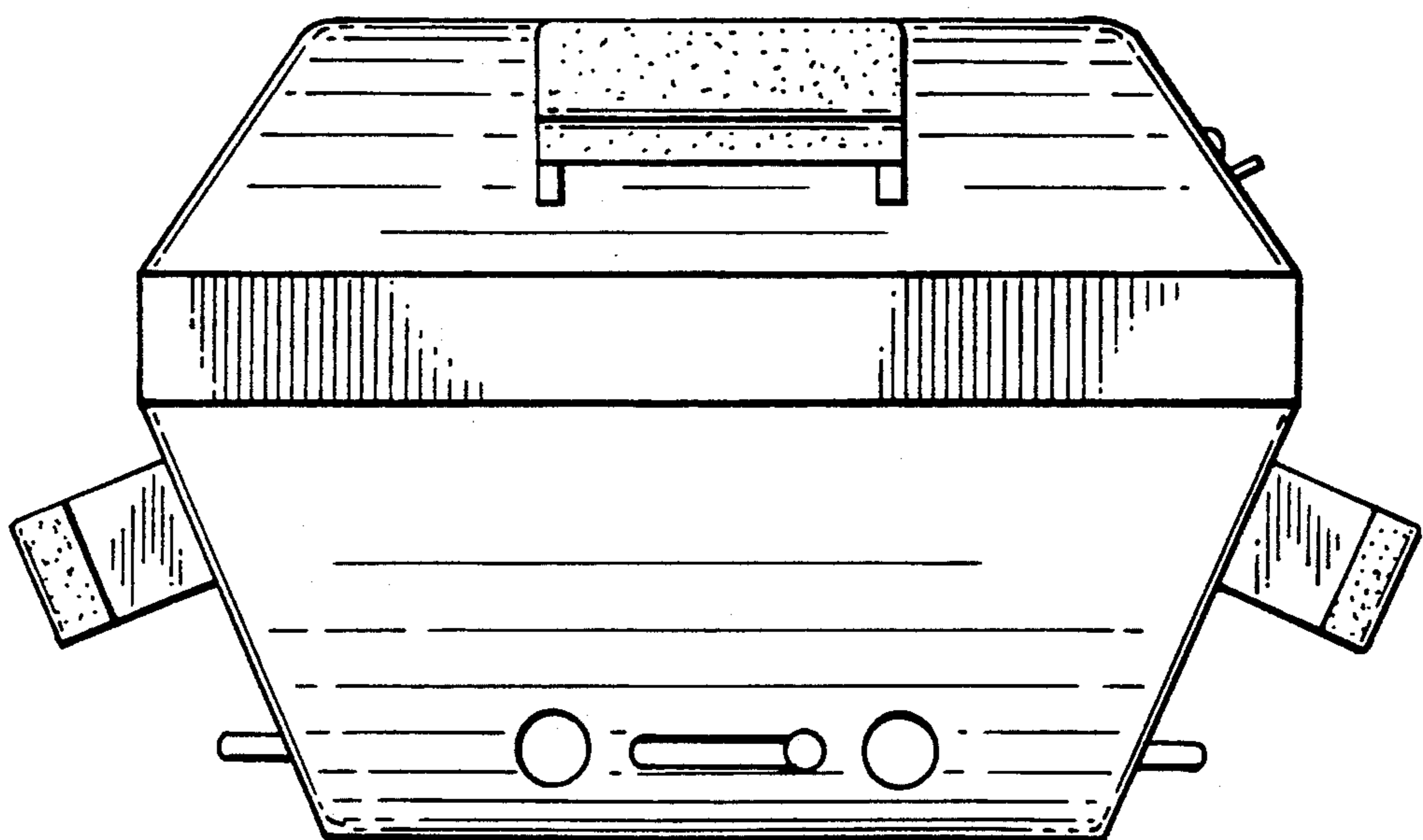


FIG. 2

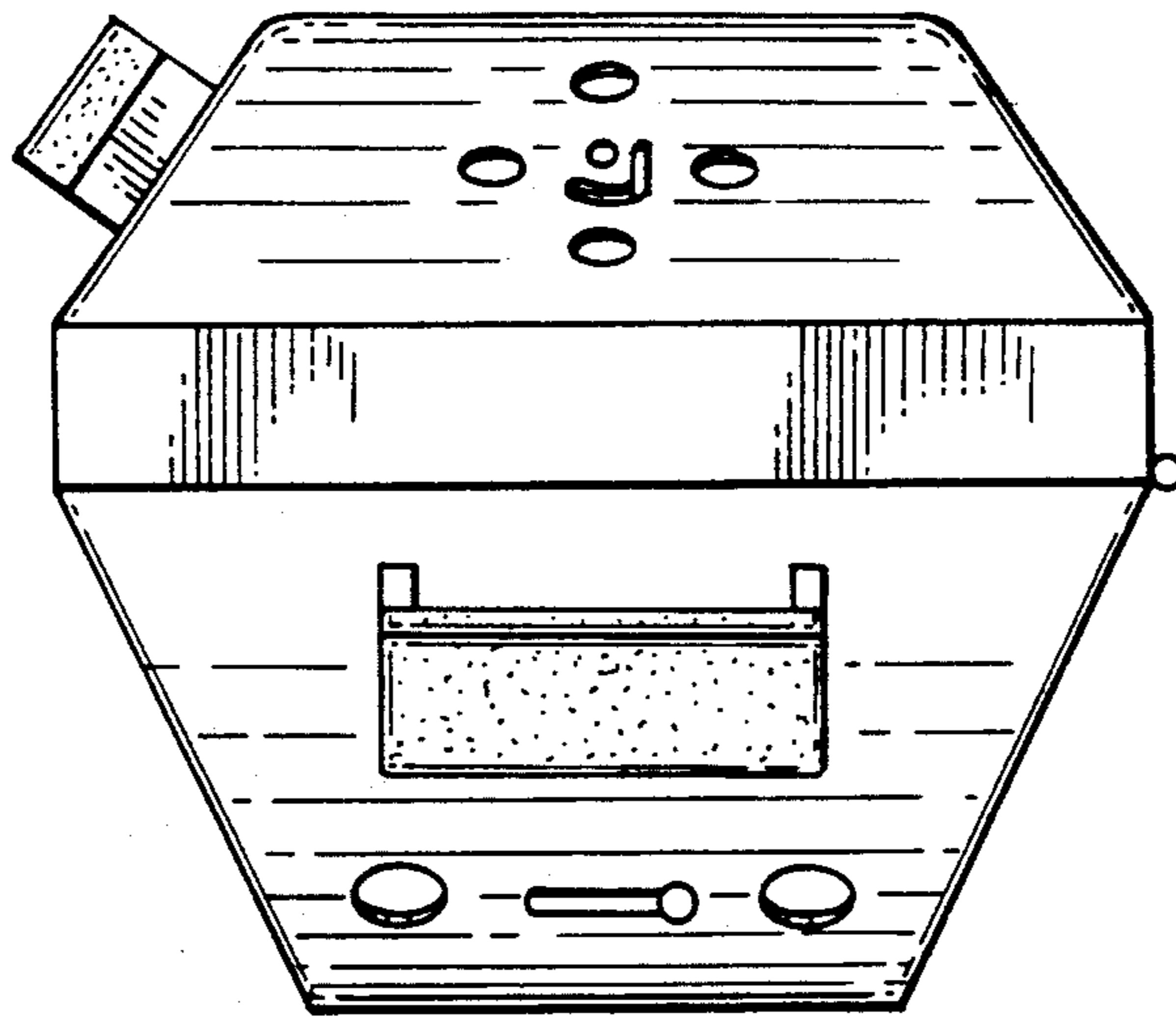


FIG. 3

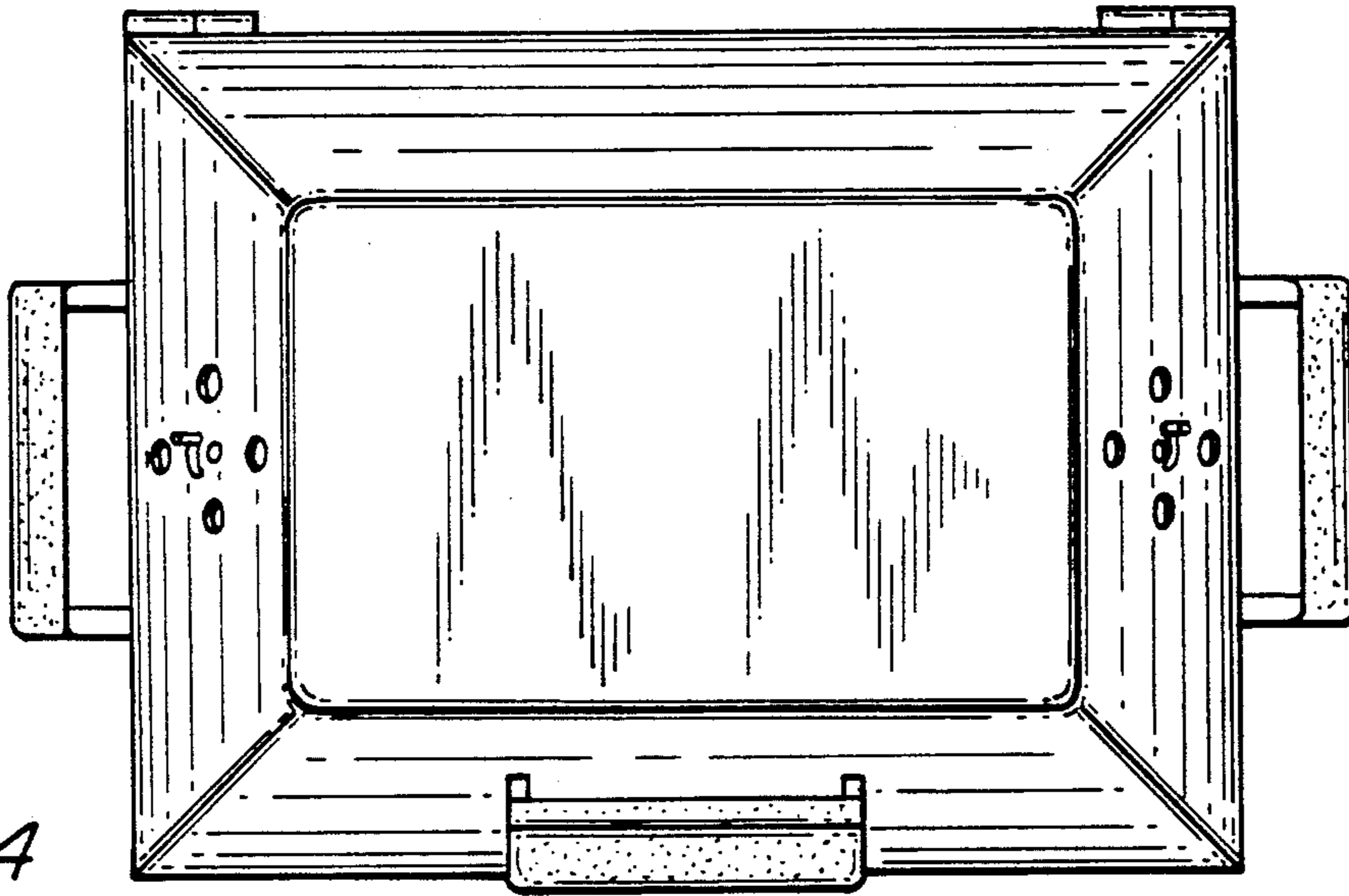


FIG. 4

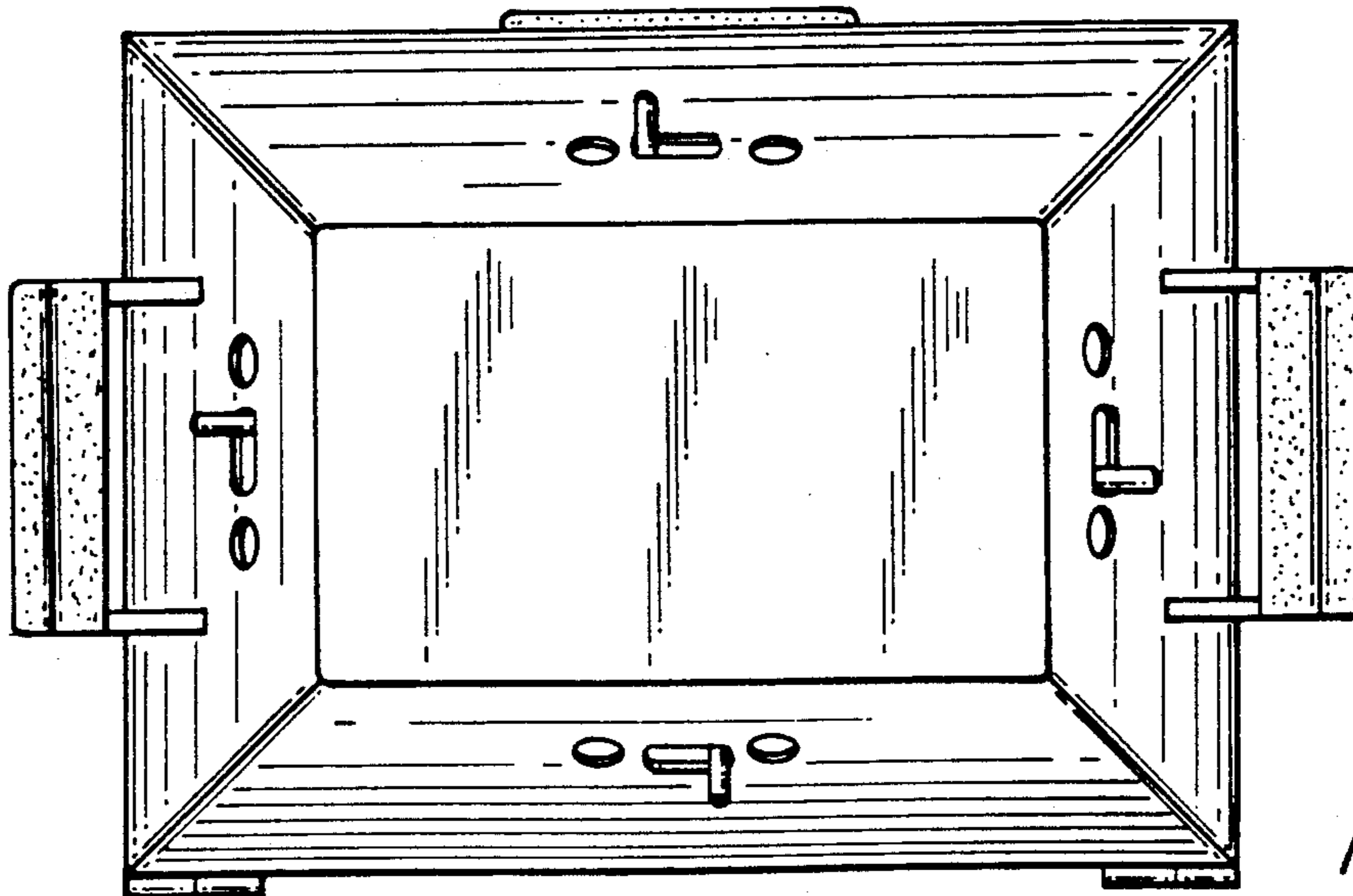


FIG. 5