



US00D323441S

United States Patent [19]

[11] Patent Number: **Des. 323,441**

Waldeck

[45] Date of Patent: **** Jan. 28, 1992**

[54] **DISPLAY STAND FOR SNACK FOODS OR THE LIKE**

[76] Inventor: **William D. Waldeck**, P.O. Box 508,
210 Main St., Belpre, Ohio
45714-0508

[**] Term: **14 Years**

[21] Appl. No.: **337,029**

[22] Filed: **Apr. 7, 1989**

[52] U.S. Cl. **D6/469; D6/473;
D6/476**

[58] Field of Search **D6/397, 429-431,
D6/449, 462-465, 466-469, 473, 474, 476;
D7/590, 616; 211/13, 72, 73, 74, 71, 128; 108/1;
206/44; 248/174**

[56] **References Cited**

U.S. PATENT DOCUMENTS

D. 103,869	3/1937	Follett	D6/473
D. 134,827	1/1943	Coss	211/13 X
D. 256,081	7/1980	Patterson et al.	D7/616
D. 288,482	2/1987	Blatherwick et al.	D24/31
1,818,247	8/1931	Grennan	.	
2,217,953	10/1940	Igou	206/45

2,355,206	8/1944	Davidson, Jr.	229/34
2,568,677	9/1951	Adelson	211/72
2,867,048	1/1959	Holtzman	D6/467 X
3,184,071	5/1965	Delaire	211/74
3,295,671	1/1967	Wuensch et al.	206/44
3,300,055	1/1967	Rohr	211/128 X
3,570,679	3/1971	Edson	108/1 X
4,453,639	6/1984	Sharma	211/74
4,570,805	2/1986	Smith	D6/476 X
4,799,744	1/1989	Toy	D6/476 X

Primary Examiner—Bruce W. Dunkins

Assistant Examiner—Jeffrey Asch

Attorney, Agent, or Firm—John L. Gray

[57] **CLAIM**

The ornamental design for a display stand for snack foods or the like, as shown and described.

DESCRIPTION

FIG. 1 is a top, front, and right side perspective view of a display stand for snack foods or the like showing my new design;

FIG. 2 is a front elevational view thereof;

FIG. 3 is a left side elevational view thereof;

FIG. 4 is a top plan view thereof;

FIG. 5 is a bottom plan view thereof; and

FIG. 6 is a rear elevational view thereof.

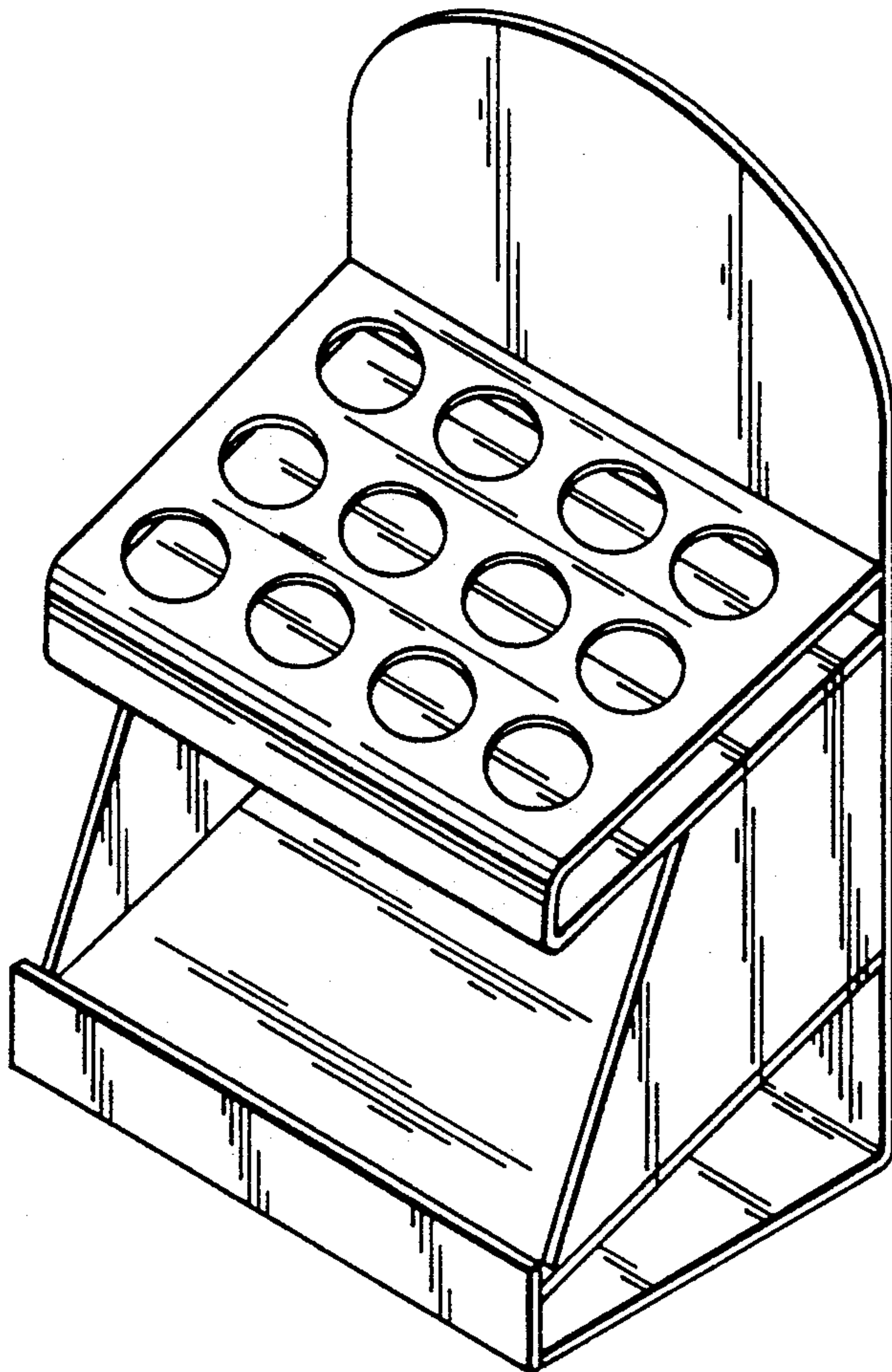


FIG. 1

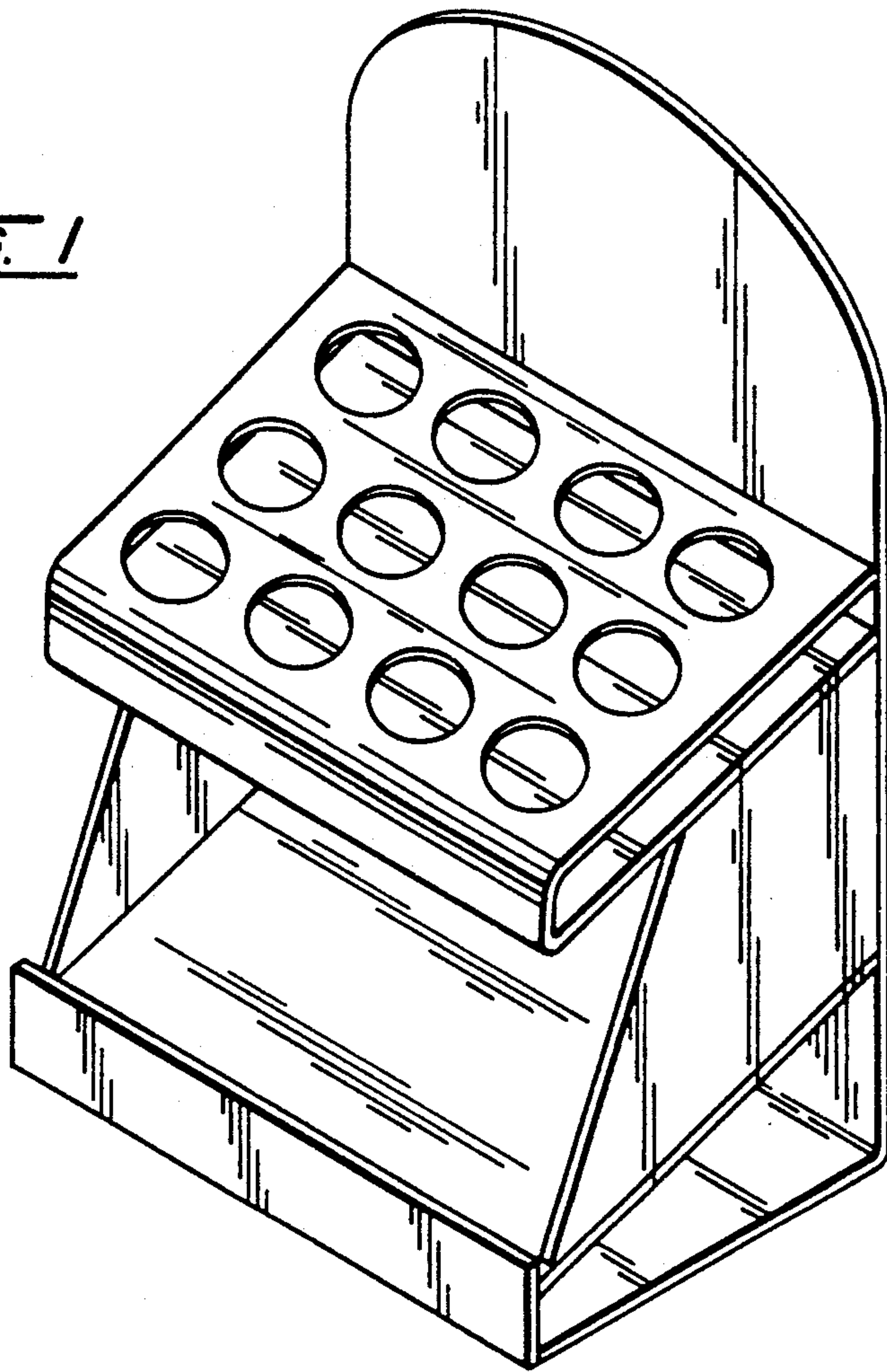


FIG. 2

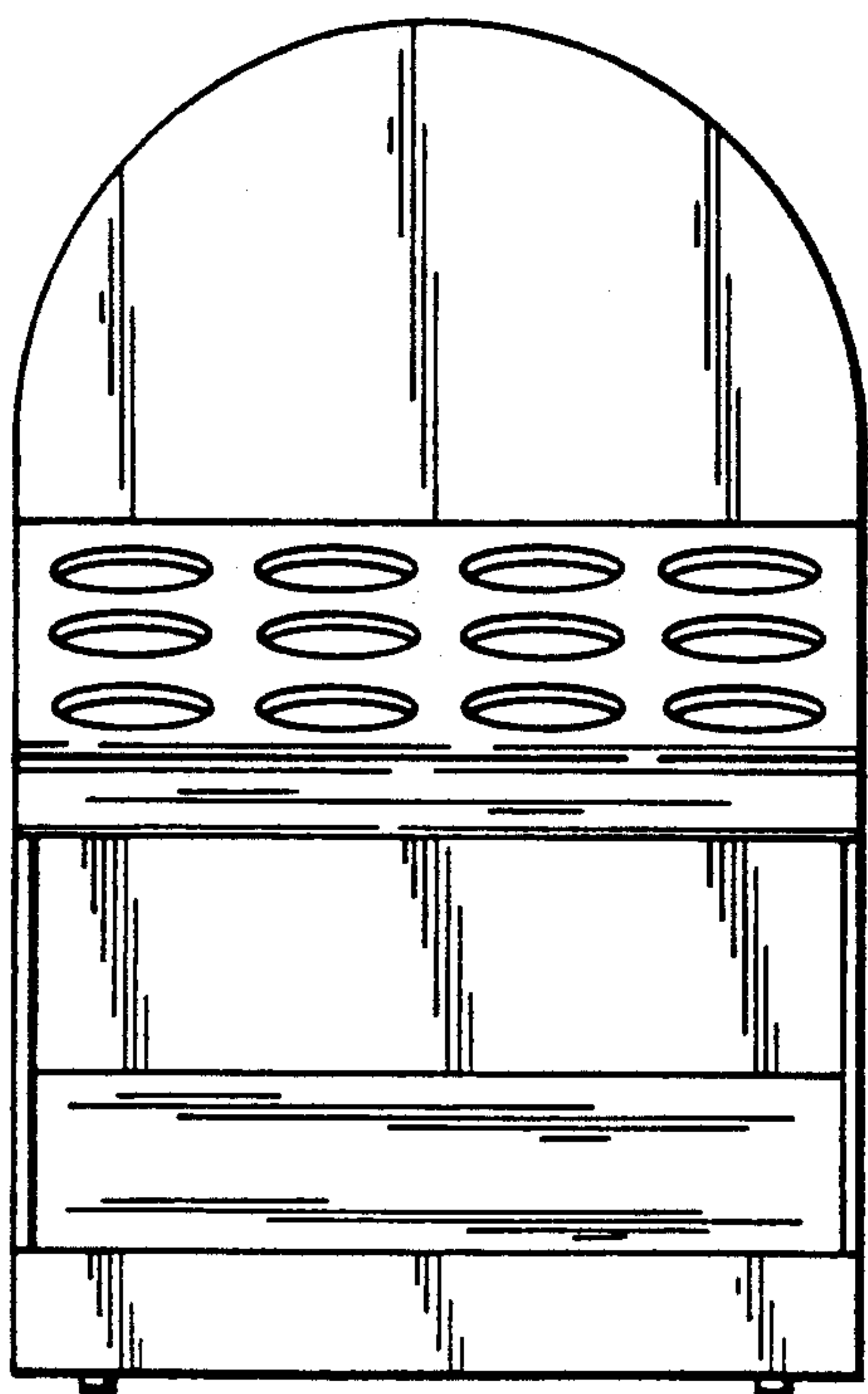
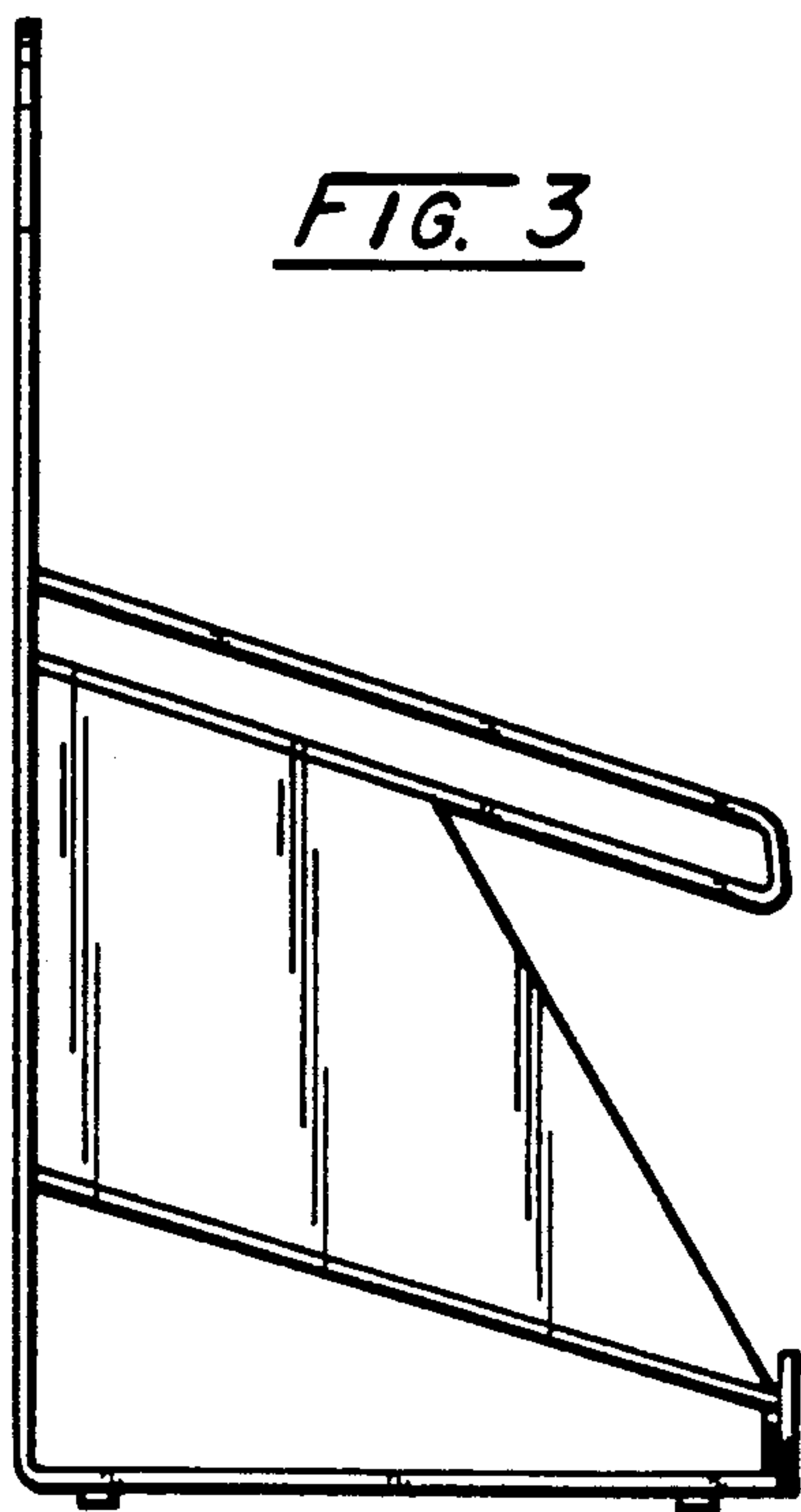


FIG. 3



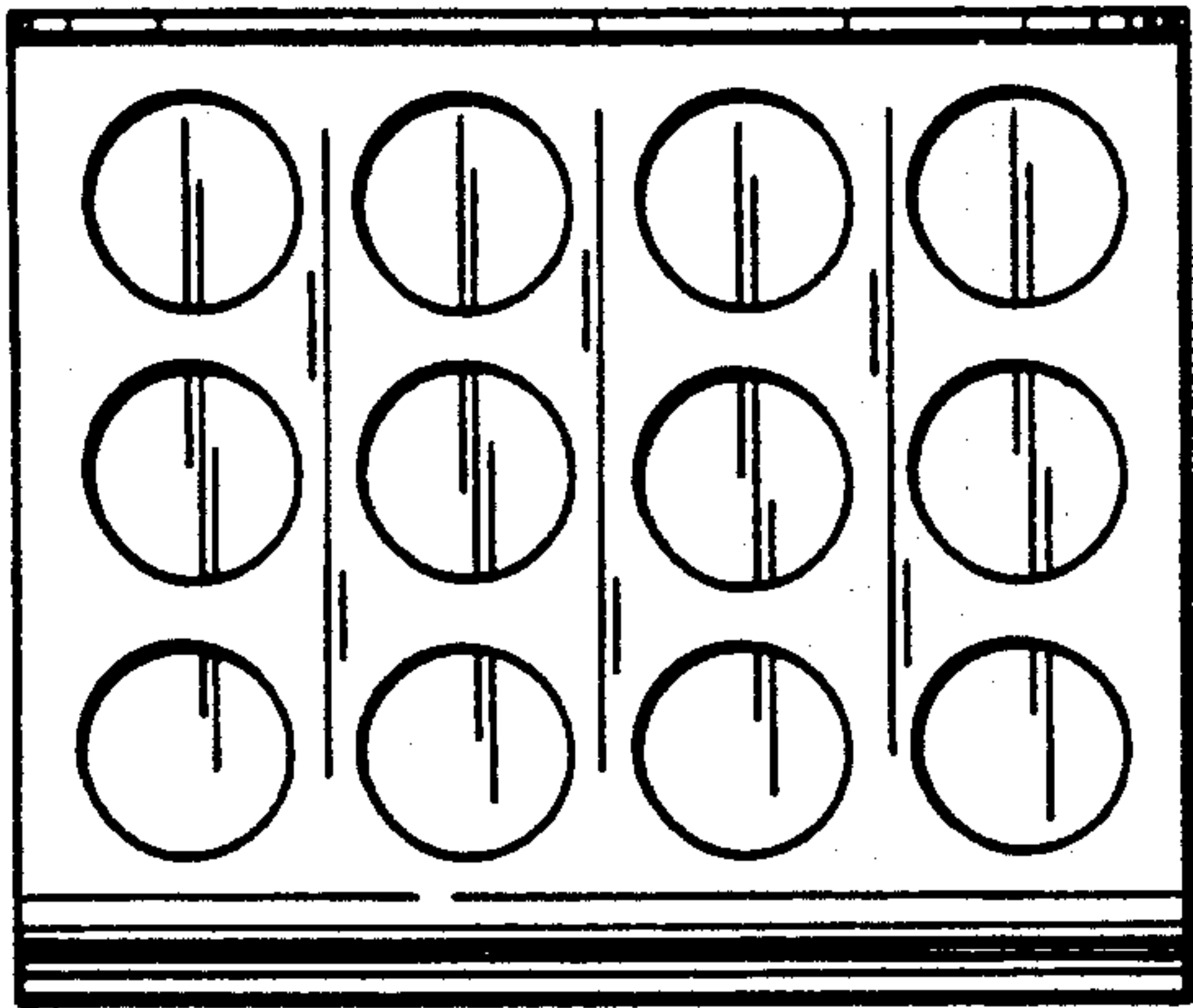


FIG. 4

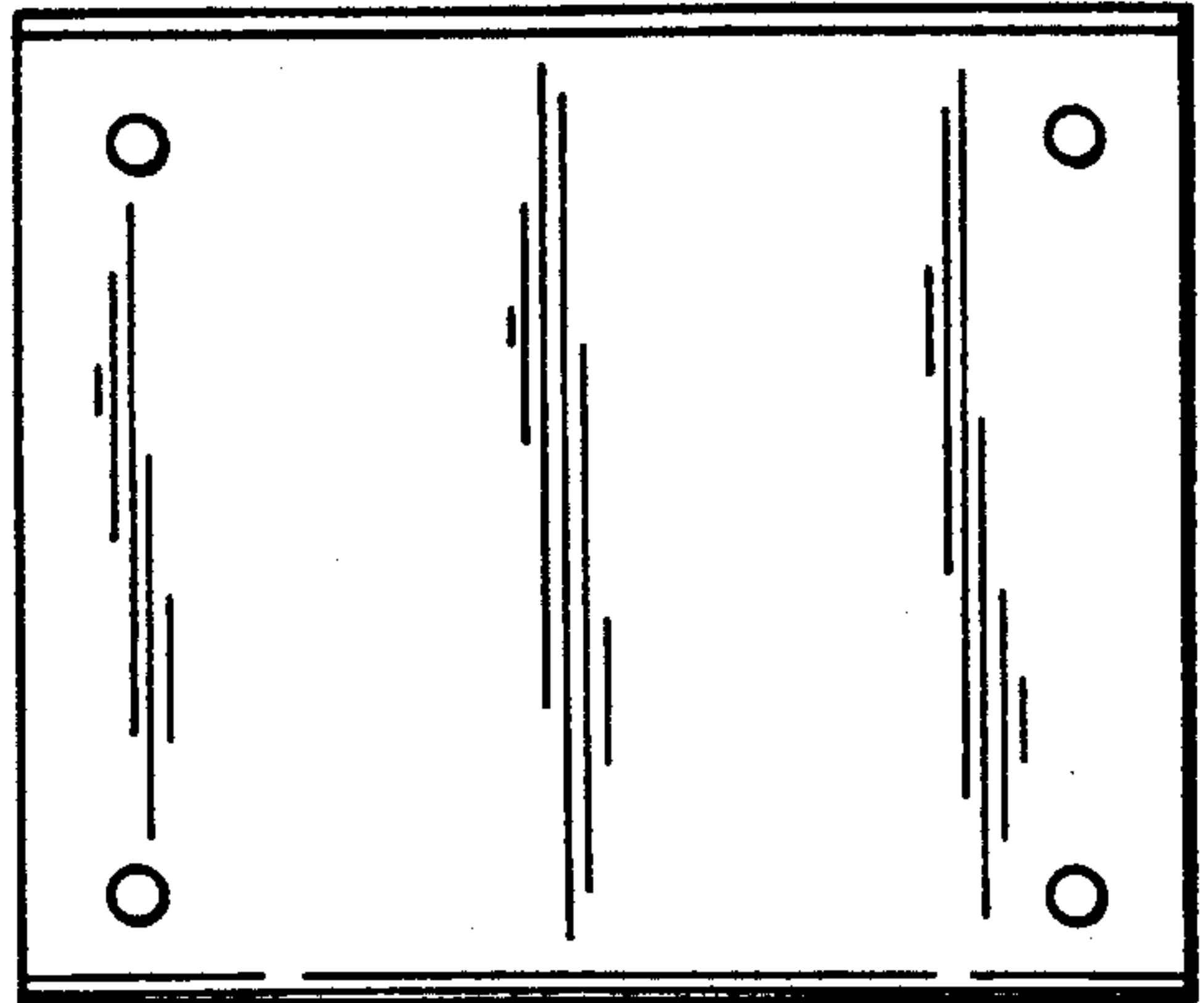


FIG. 5

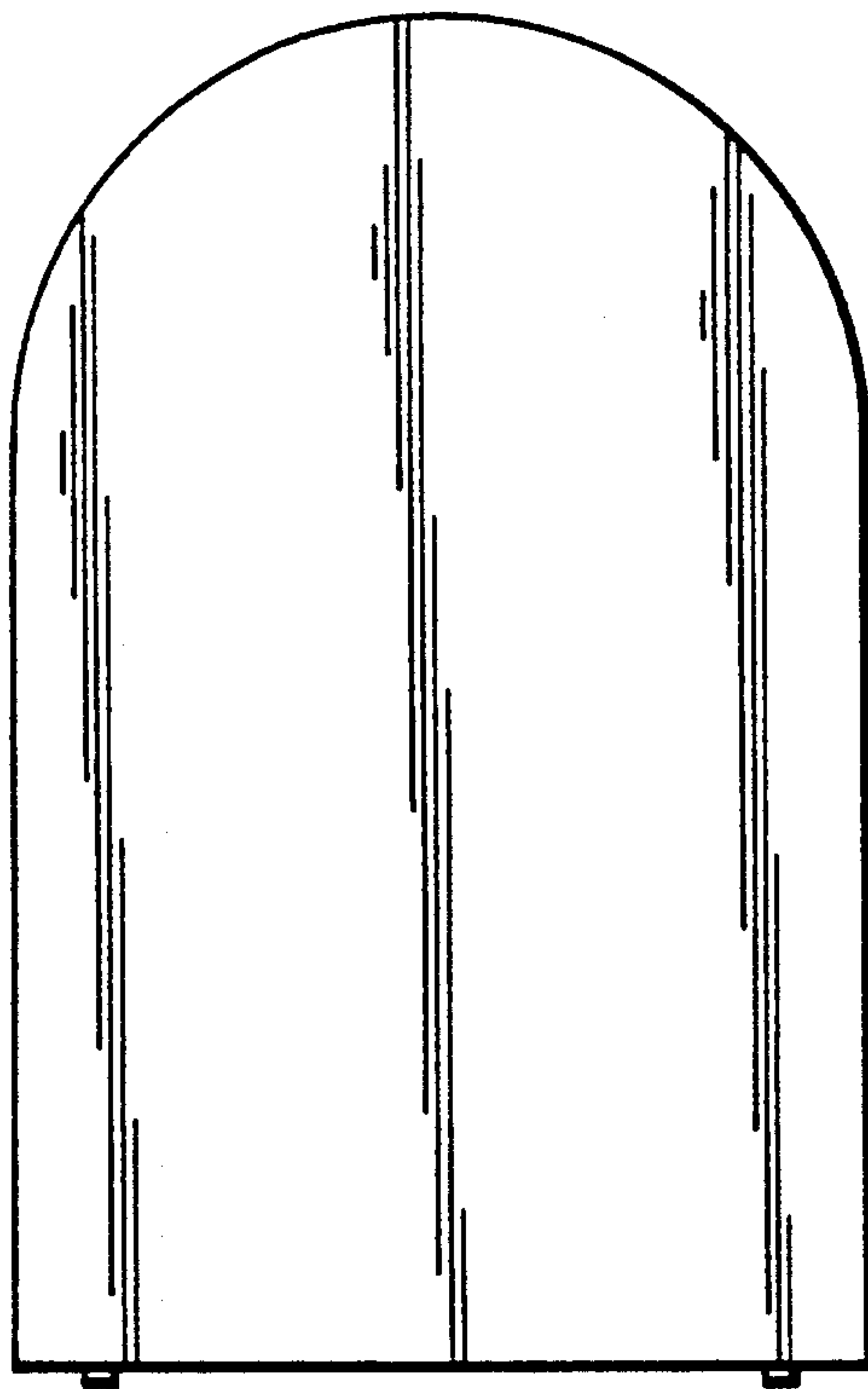


FIG. 6