



US00D323440S

United States Patent [19]

[11] Patent Number: **Des. 323,440**

Bustos

[45] Date of Patent: **** Jan. 28, 1992**

[54] **DISPLAY SHELF**

4,756,430	7/1988	Spamer et al.	211/135 X
4,809,855	3/1989	Bustos	211/59.2
4,872,567	10/1989	Bustos	211/59.2
4,923,070	5/1990	Jackle et al.	211/126 X

[75] Inventor: **Rafael T. Bustos, Alpharetta, Ga.**

[73] Assignee: **Leggett & Platt, Incorporated, Carthage, Mo.**

Primary Examiner—Brian N. Vinson
Attorney, Agent, or Firm—Wood, Herron & Evans

[**] Term: **14 Years**

[57] **CLAIM**

[21] Appl. No.: **505,250**

The ornamental design for a display shelf, as shown and described.

[22] Filed: **Apr. 5, 1990**

[52] U.S. Cl. **D6/574**

DESCRIPTION

[58] Field of Search **D6/552-553, D6/567, 574, 509-511; 108/106, 108; 211/59.2, 49.1, 70.1, 86-90, 126, 134, 153, 181**

FIG. 1 is a top, front, and right side perspective view of a display shelf showing my new design, the broken-line depiction of a portion of a shelving support being for illustrative purposes only and forming no part of the claimed design;

[56] **References Cited**

U.S. PATENT DOCUMENTS

3,167,037	1/1965	Mapson	108/28 X
3,640,389	2/1972	Snyder	211/153 X
4,454,948	6/1984	Spamer	108/108 X
4,519,508	5/1985	Gullett et al.	211/153 X
4,526,110	7/1985	Franz	108/108

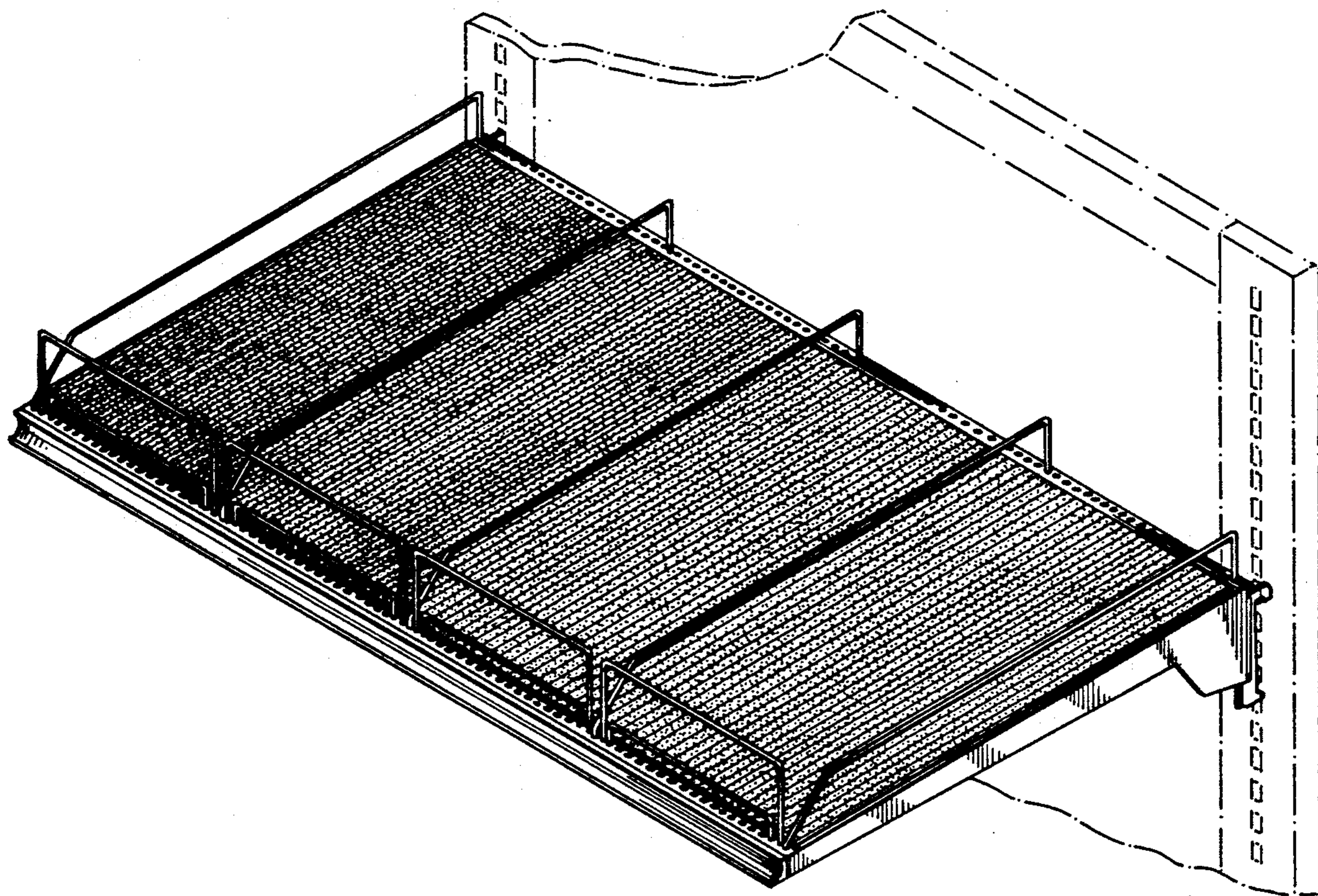
FIG. 2 is a front elevational view thereof;

FIG. 3 is a right side elevational view thereof, the left side being a mirror image of that shown;

FIG. 4 is a rear elevational view thereof;

FIG. 5 is a top plan view thereof; and

FIG. 6 is a bottom plan view thereof.



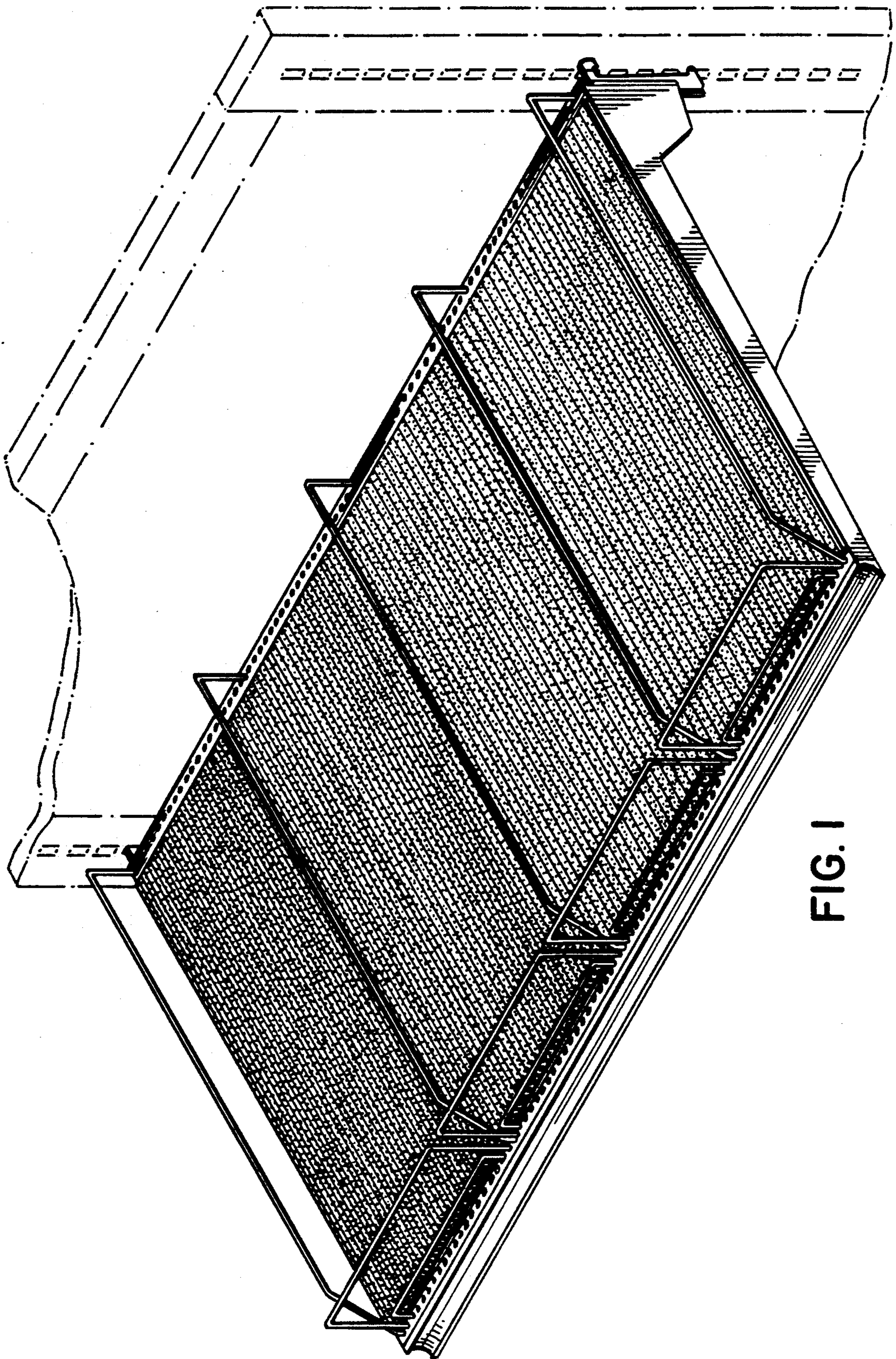


FIG. 1

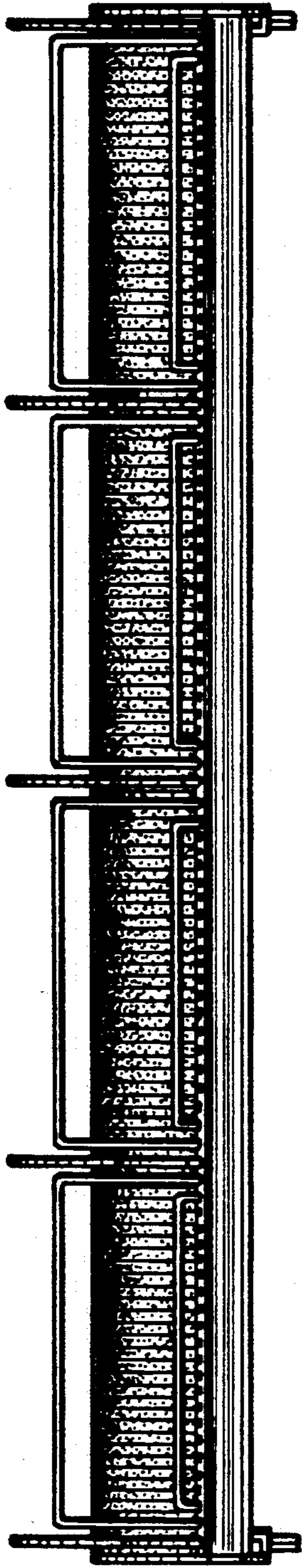


FIG. 2

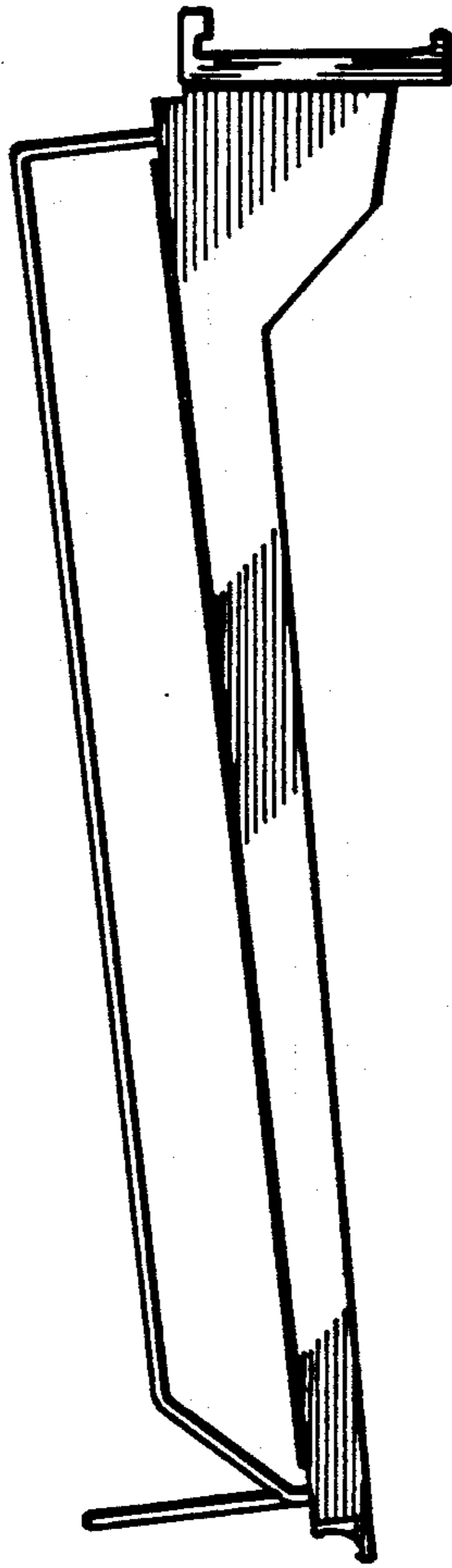


FIG. 3

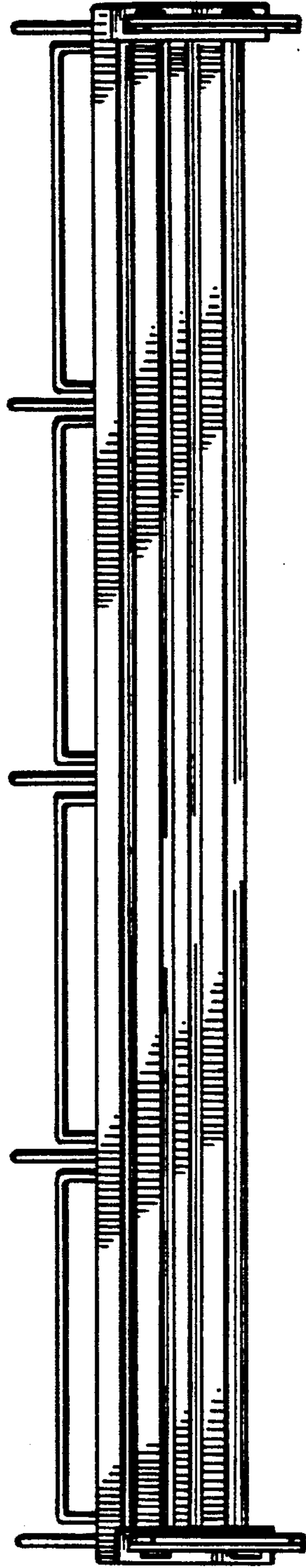


FIG. 4

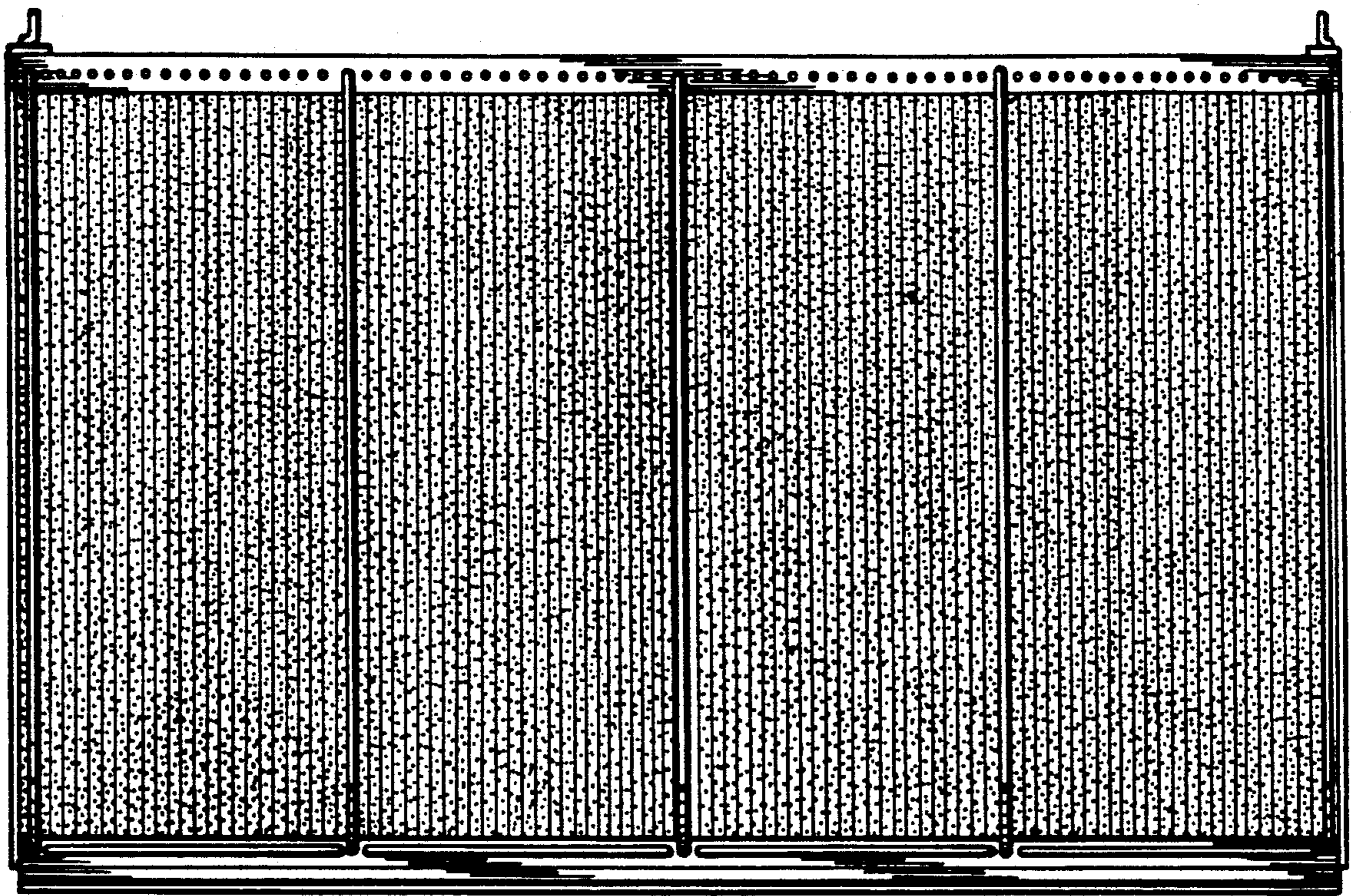


FIG. 5

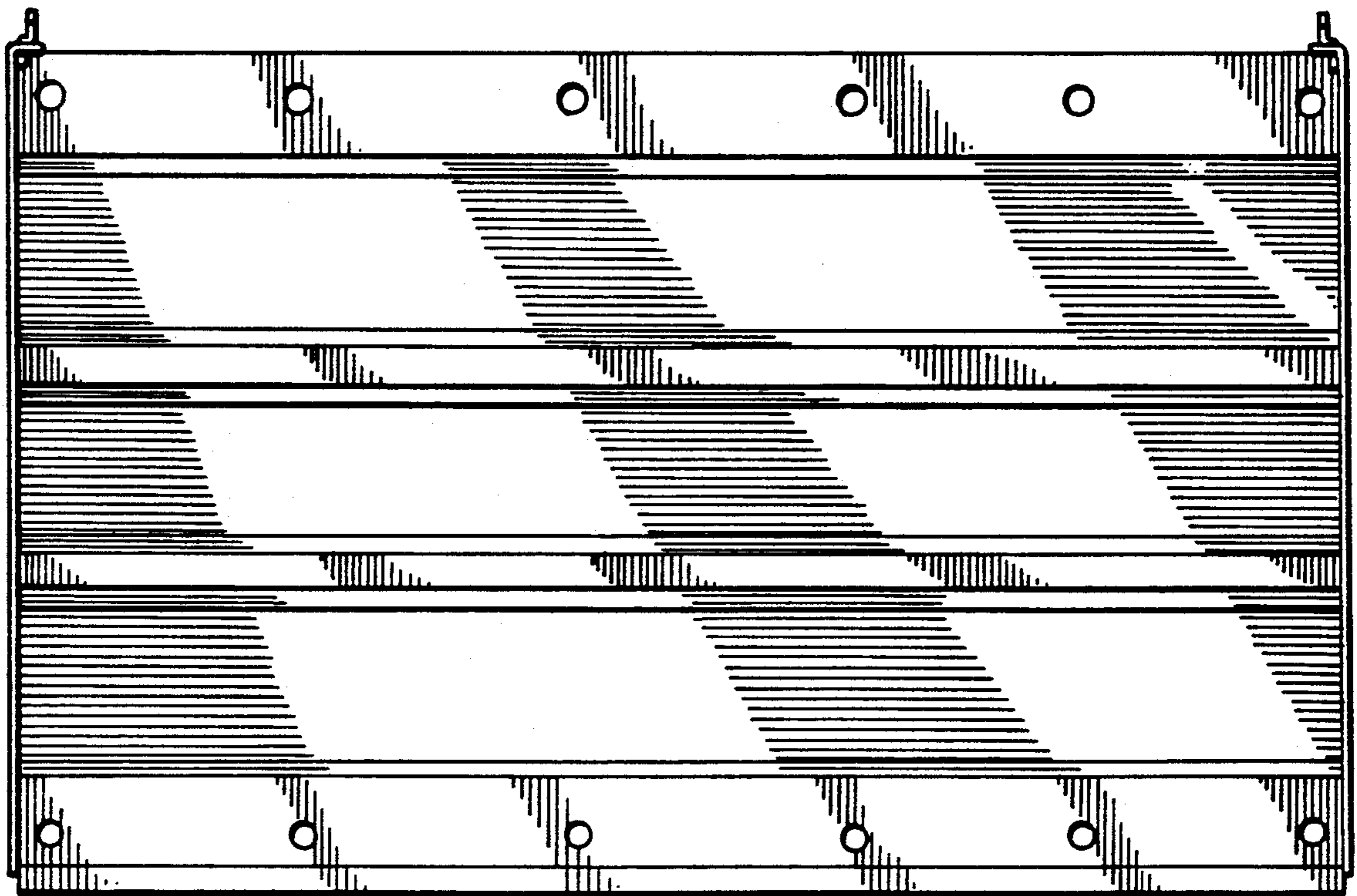


FIG. 6