



US00D323439S

# United States Patent [19]

[11] Patent Number: **Des. 323,439**

**Emery**

[45] Date of Patent: **\*\* Jan. 28, 1992**

[54] **CORNER CADDY UNIT**

[75] Inventor: **William W. Emery, Berkeley Heights, N.J.**

[73] Assignee: **Better Sleep Manufacturing Co., Berkeley Heights, N.J.**

[\*\*] Term: **14 Years**

[21] Appl. No.: **481,060**

[22] Filed: **Feb. 16, 1990**

[52] U.S. Cl. .... **D6/562; D6/566; D6/570**

[58] Field of Search ..... **D6/512, 524, 525, 553, D6/562, 566-567, 569-571, 574; 211/13, 71, 86-88, 90, 106, 126, 134, 181**

[56] **References Cited**

**U.S. PATENT DOCUMENTS**

D. 156,394	12/1949	Yohey	.....	D6/566
D. 188,332	7/1960	Salen	.....	D6/562
D. 189,722	2/1961	Wolff	.....	D6/562
4,708,310	11/1987	Smith	.....	211/90

**OTHER PUBLICATIONS**

Lilian Vernon Catalogue, (10/1988), p. 27—Corner Shelves.

*Primary Examiner*—Brian N. Vinson  
*Attorney, Agent, or Firm*—Hopgood, Calimafde

[57] **CLAIM**

The ornamental design for a corner caddy unit, as shown and described.

**DESCRIPTION**

FIG. 1 is a top perspective view of a corner caddy unit showing my new design, the broken-line depiction of a wall fragment and suction-cup support means being for

illustrative purposes only and forming no part of the claimed design;

FIG. 2 is a top plan view of the upper shelf component thereof, with the lower shelf omitted for clarity of illustration;

FIG. 3 is a front elevational view of the upper shelf component thereof;

FIG. 4 is a left side elevational view of the upper shelf component thereof;

FIG. 5 is a rear elevational view of the upper shelf component thereof;

FIG. 6 is a right side elevational view of the upper shelf component thereof;

FIG. 7 is a bottom plan view of the upper shelf component thereof;

FIG. 8 is a top plan view of the lower shelf component thereof, with the hook and upper shelf components omitted for clarity of illustration;

FIG. 9 is a front elevational view of the lower shelf component thereof;

FIG. 10 is a left side elevational view of the lower shelf component thereof;

FIG. 11 is a rear elevational view of the lower shelf component thereof;

FIG. 12 is a right side elevational view of the lower shelf component thereof;

FIG. 13 is a bottom plan view of the lower shelf component thereof;

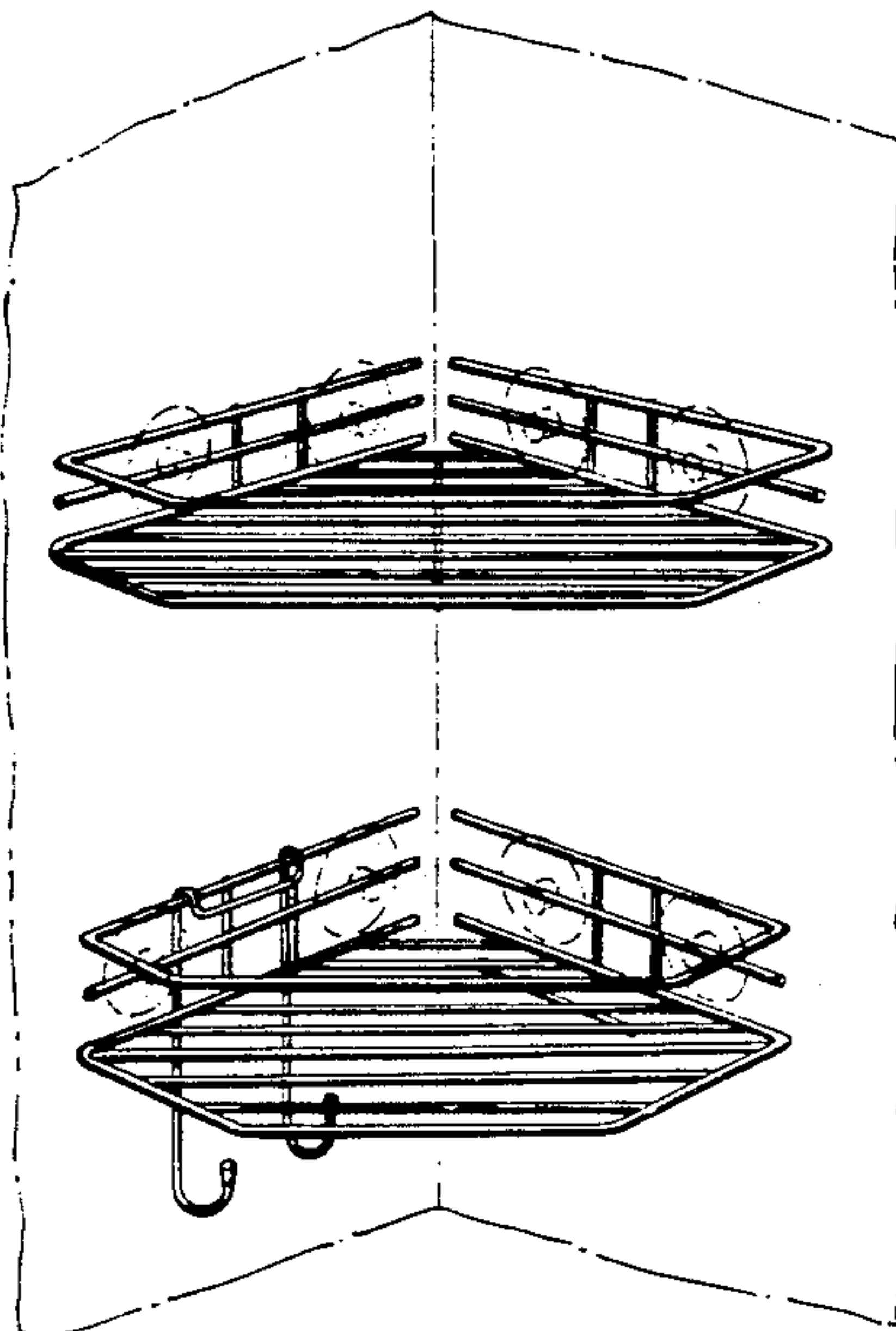
FIG. 14 is a top plan view of the hook component thereof, with the two shelf components omitted for clarity of illustration;

FIG. 15 is a front elevational view of the hook component thereof;

FIG. 16 is a right side elevational view of the hook component thereof, the left side being a mirror image of that shown;

FIG. 17 is a rear elevational view of the hook component thereof; and

FIG. 18 is a bottom plan view of the hook component thereof.



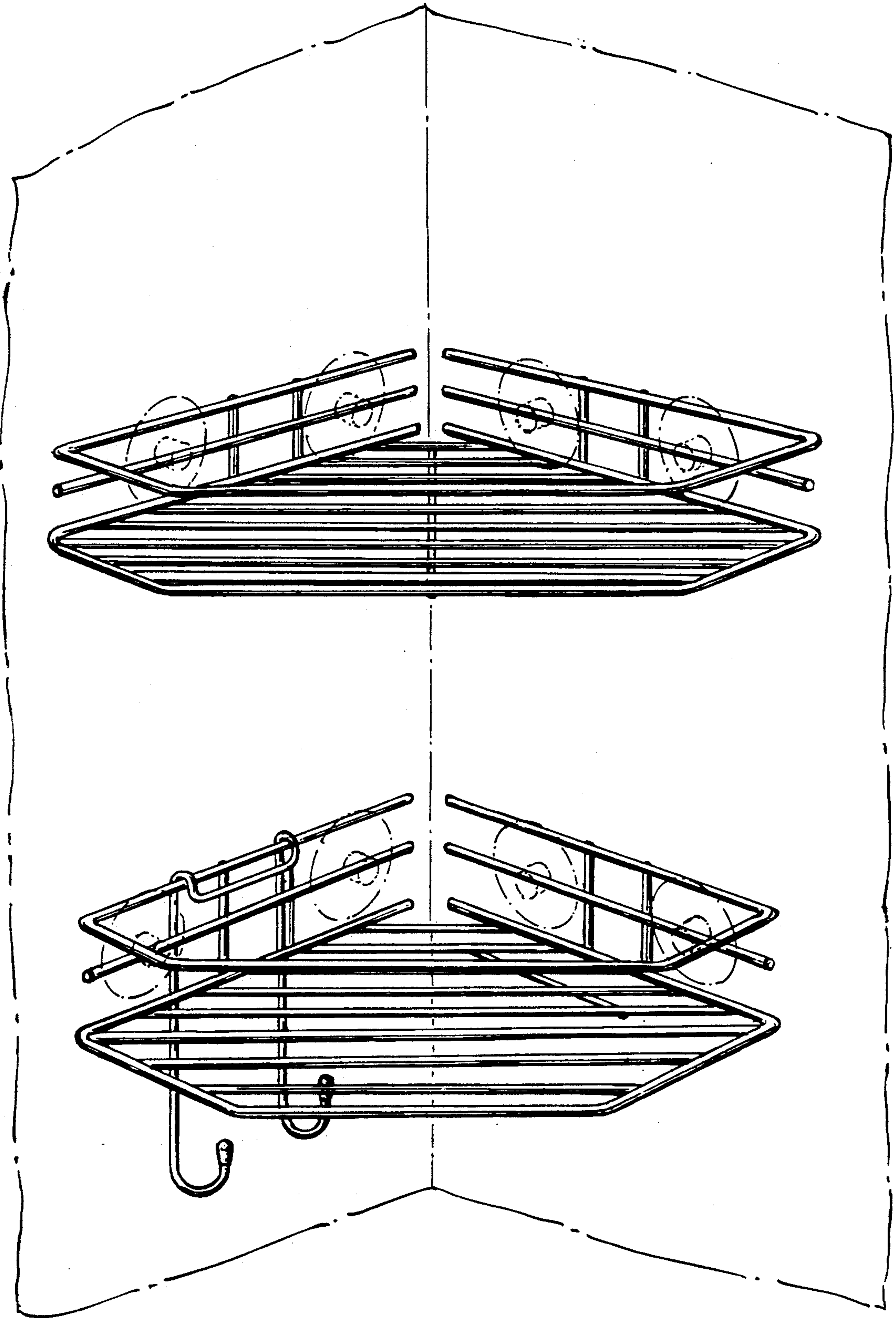
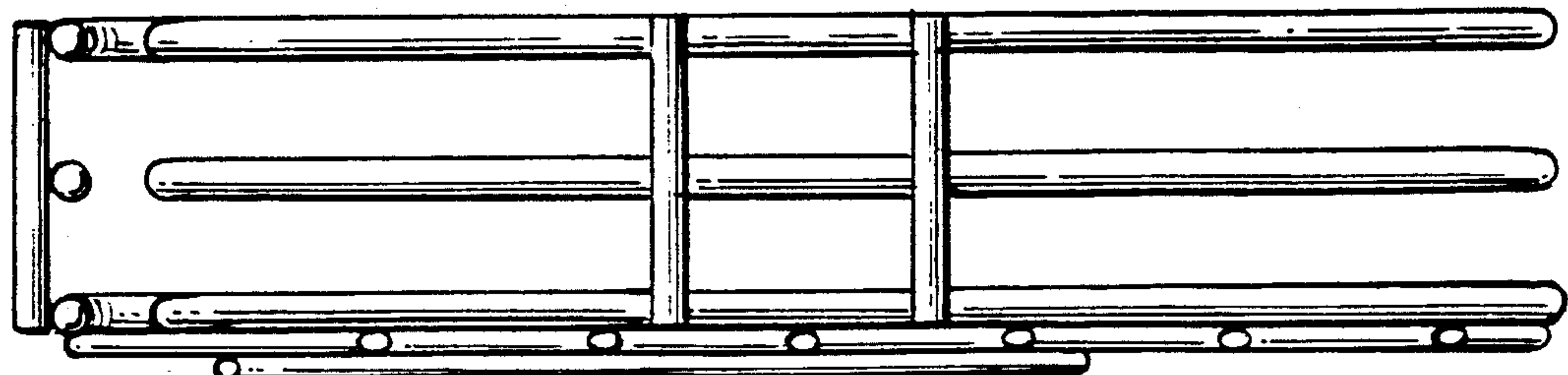
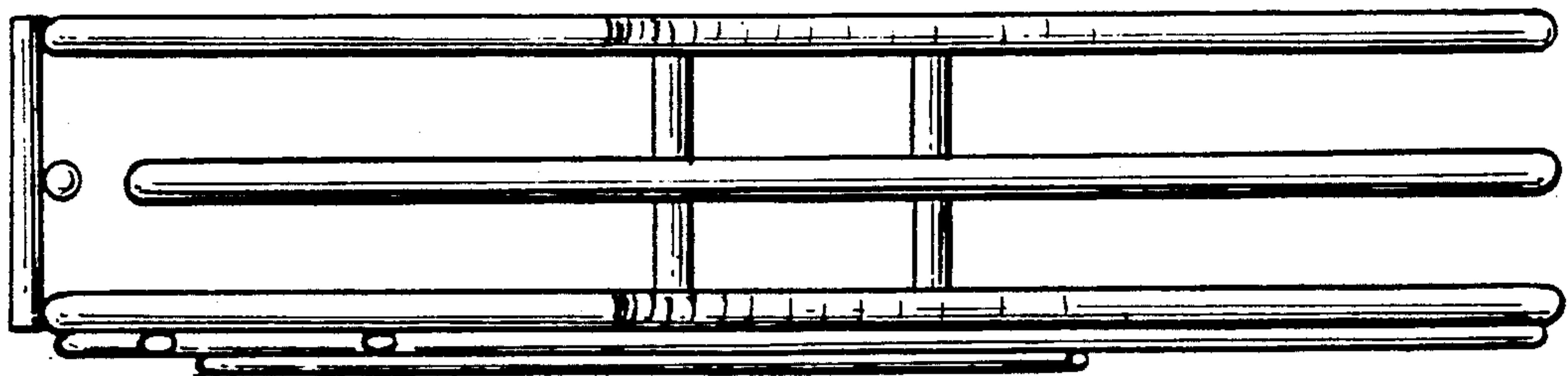
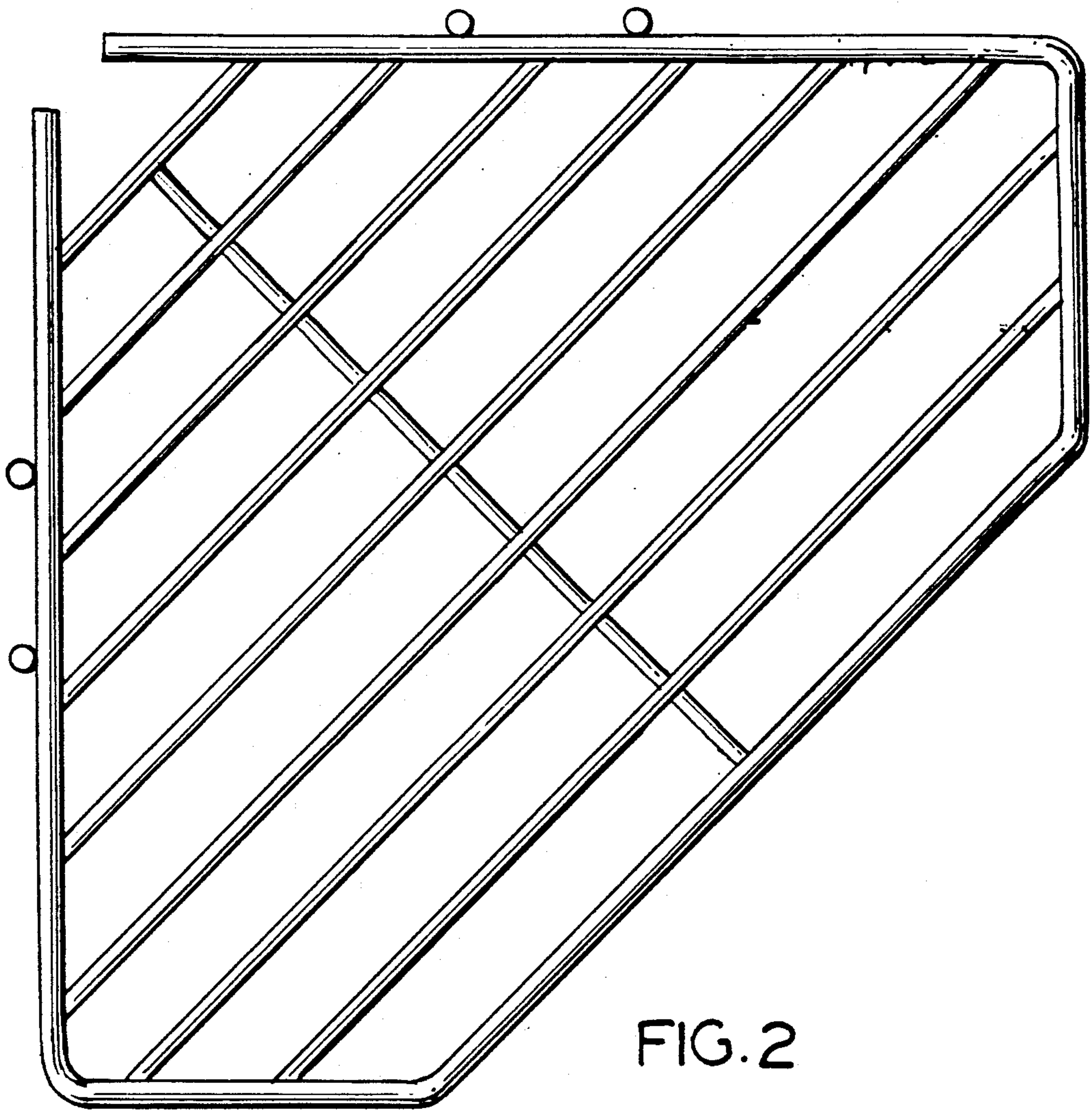


FIG. 1





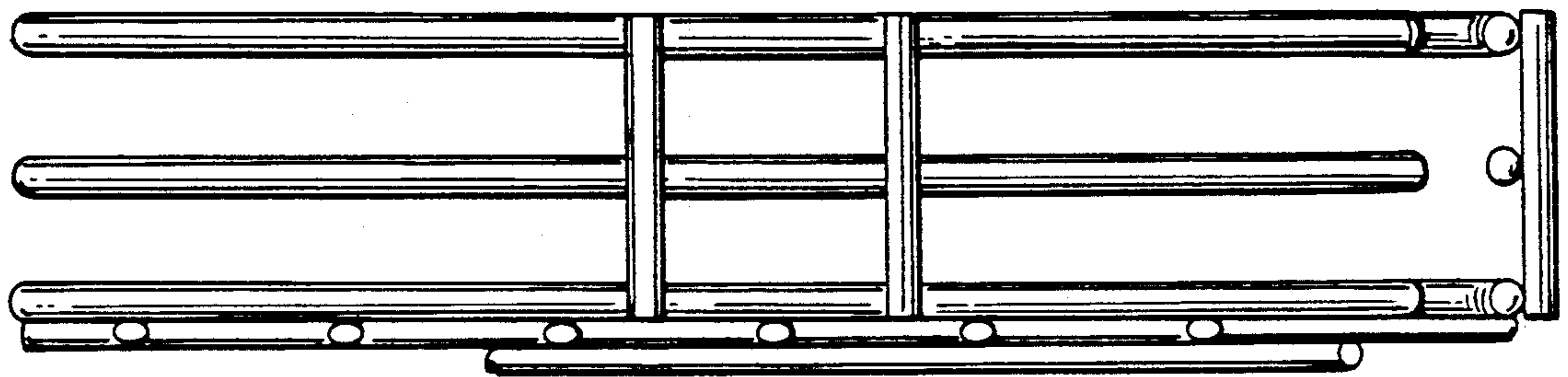


FIG. 5

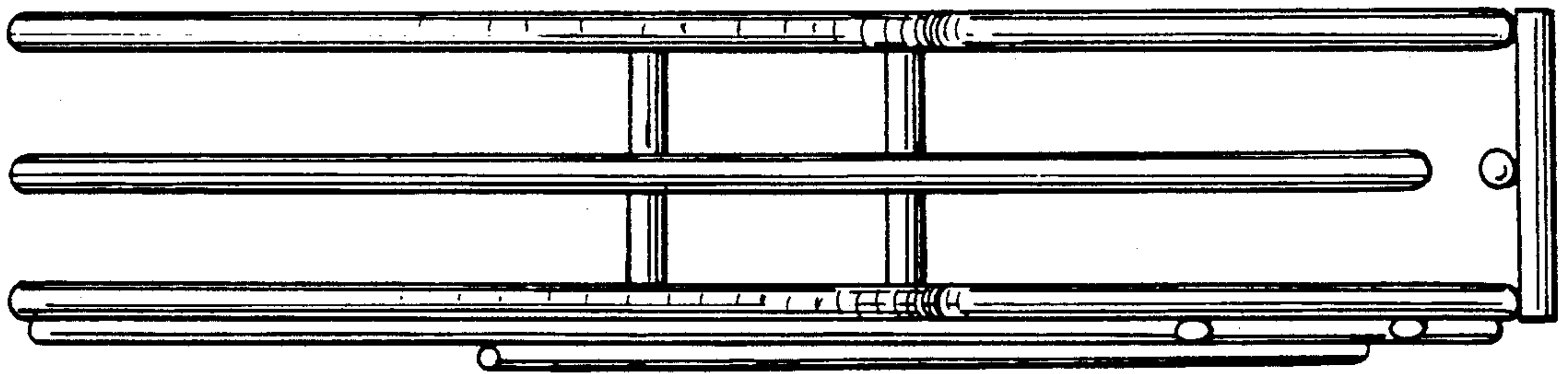


FIG. 6

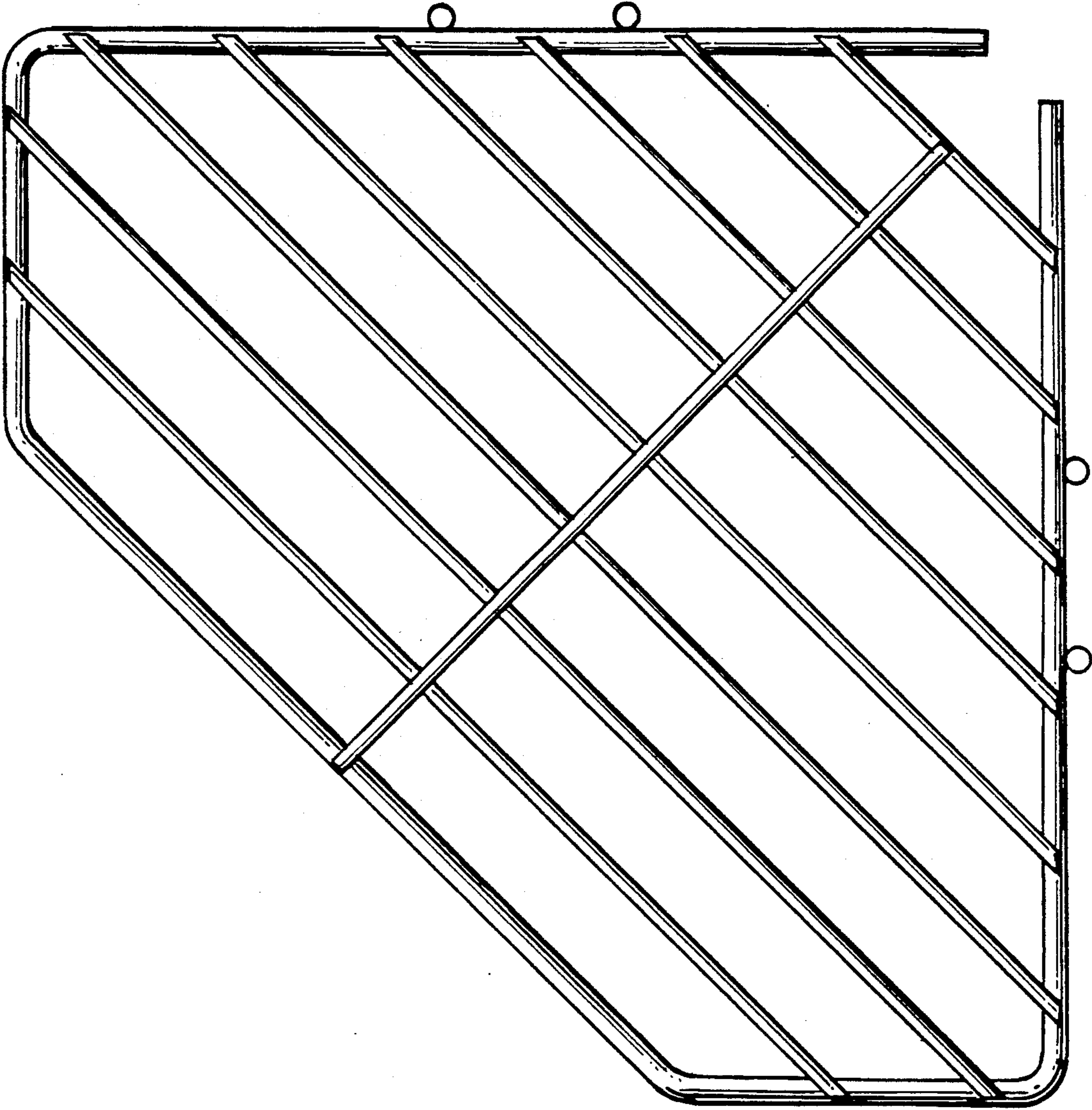


FIG. 7



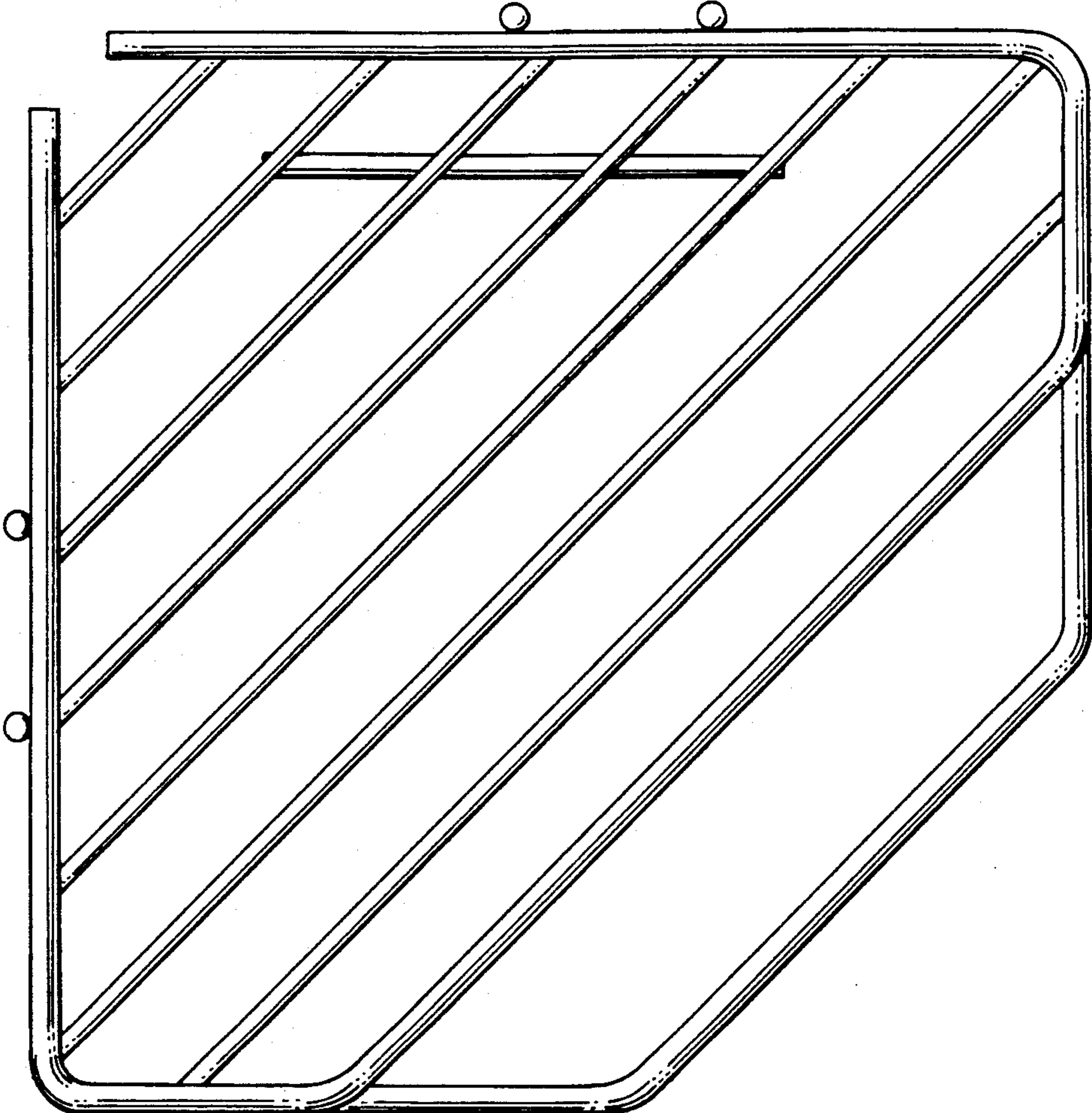


FIG. 8

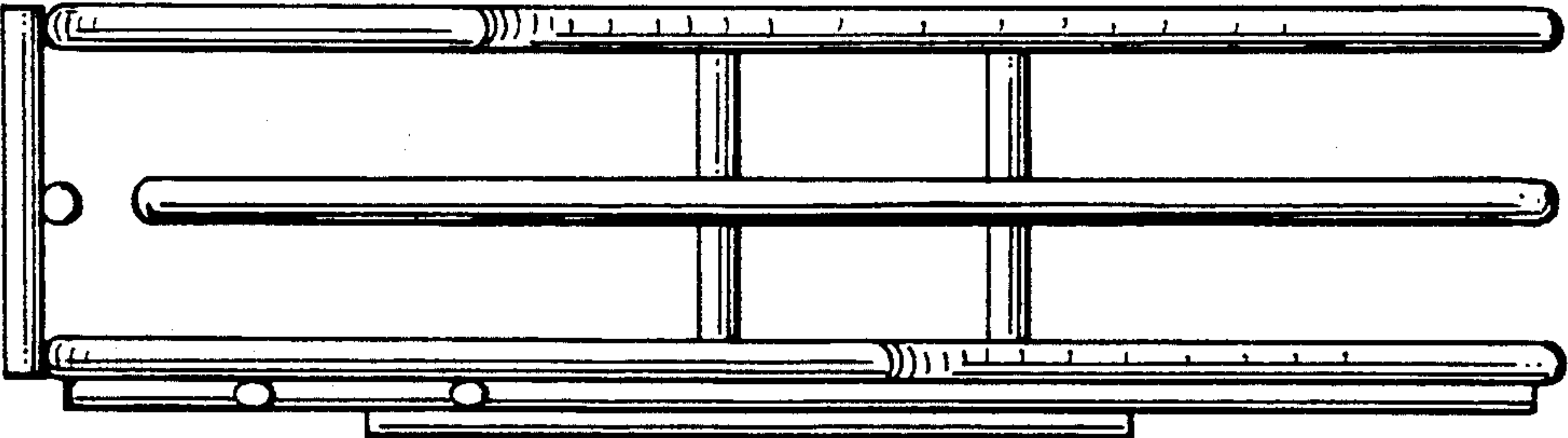


FIG. 9

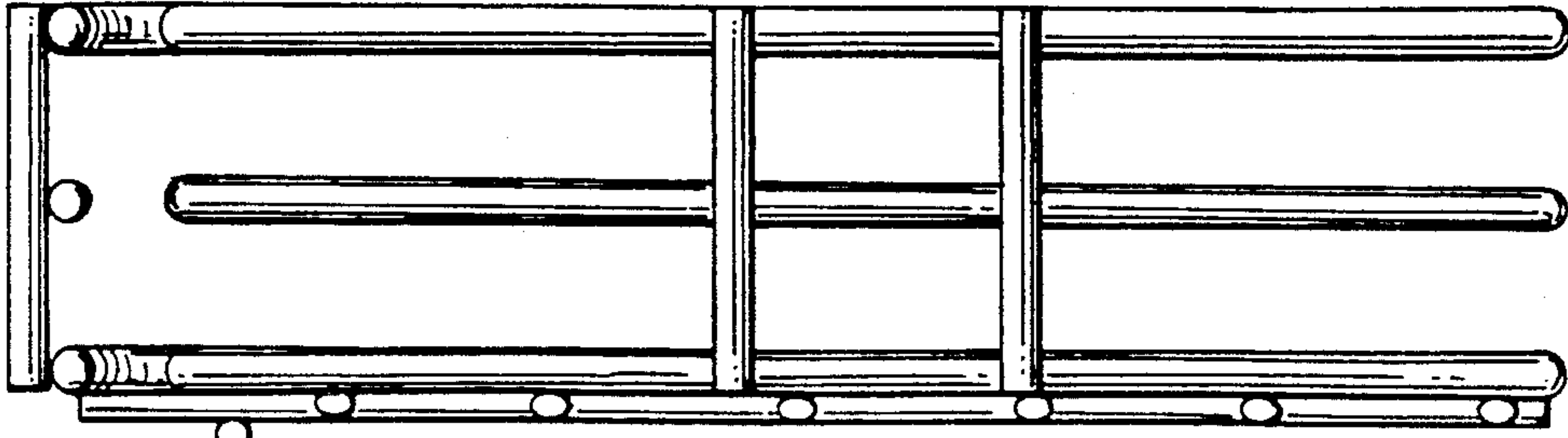


FIG. 10

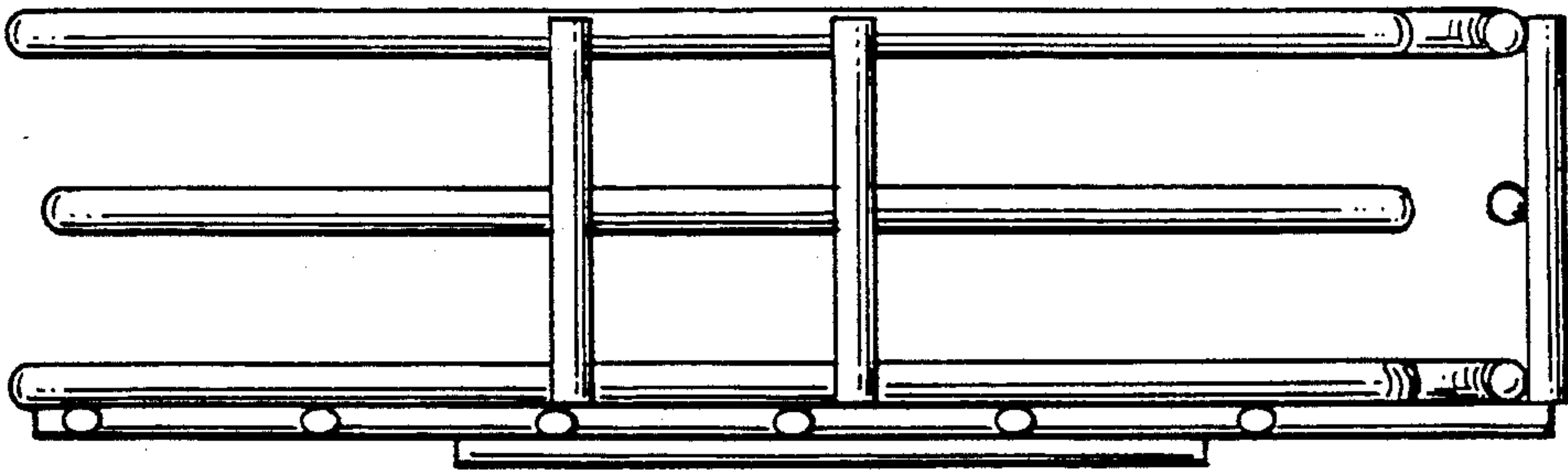


FIG. 11

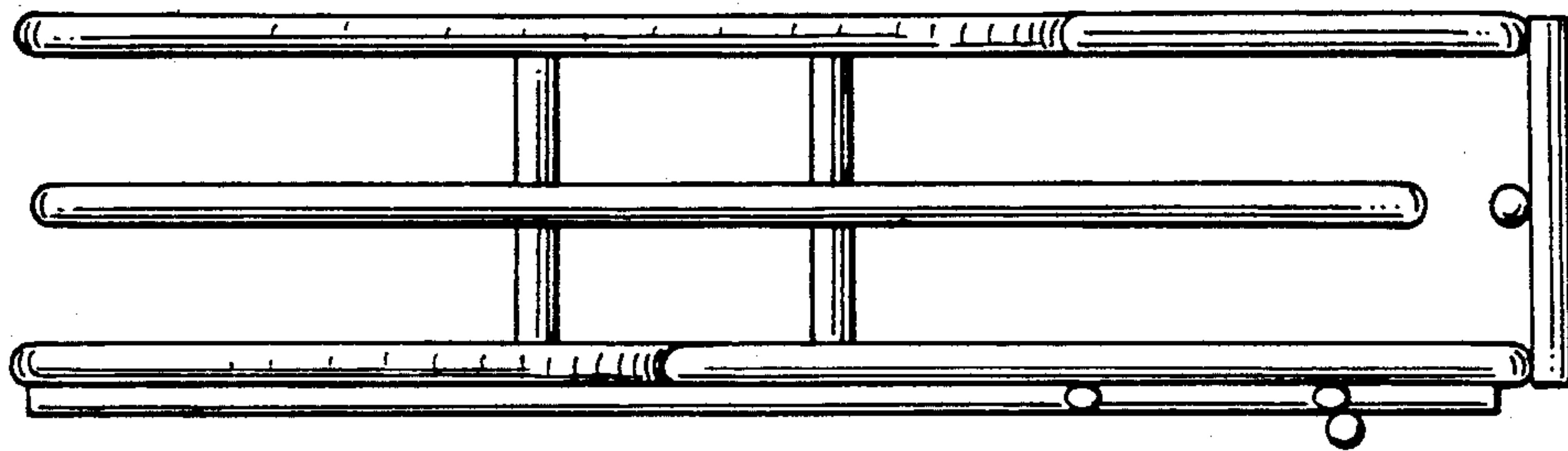


FIG. 12

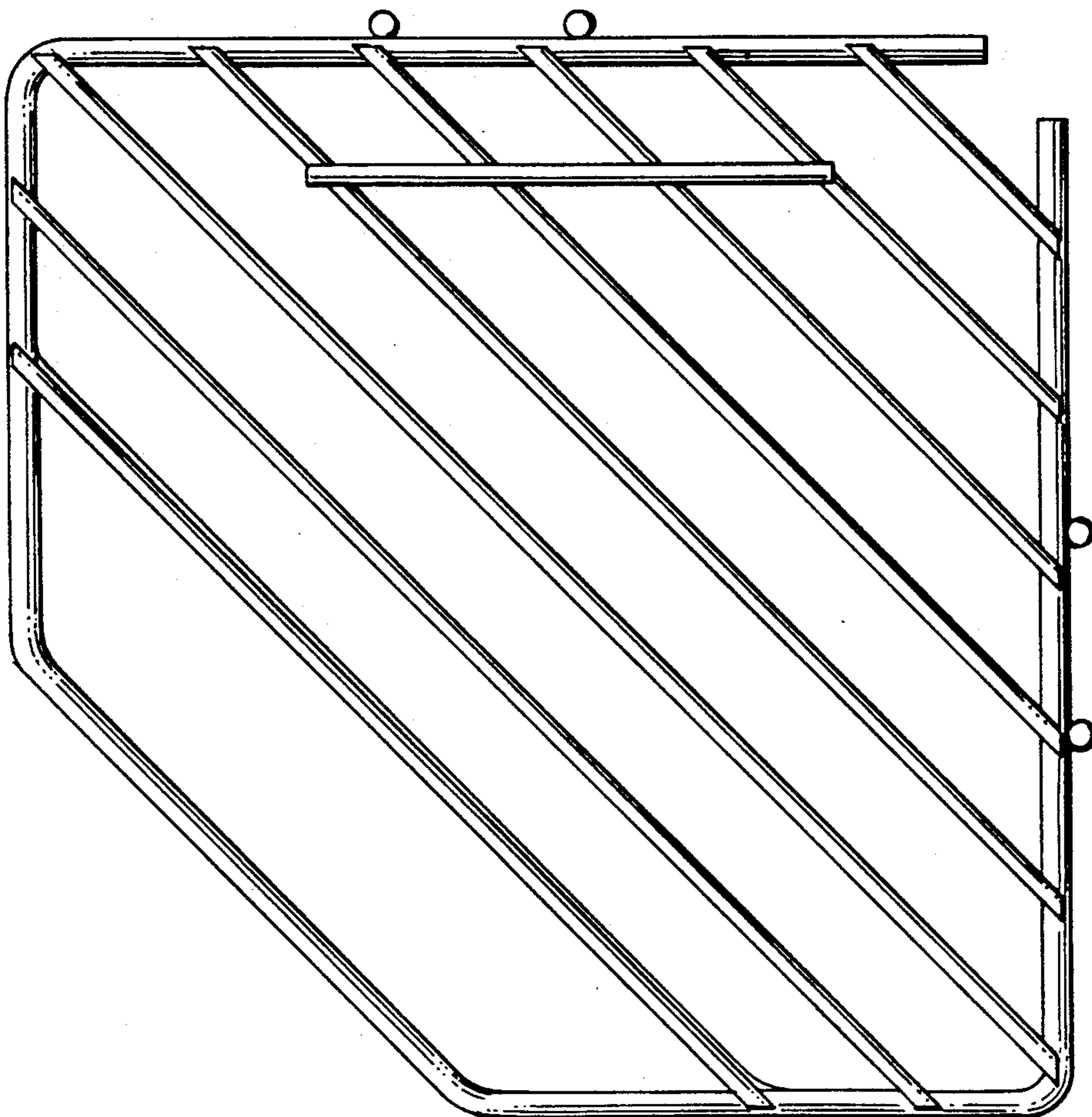


FIG. 13

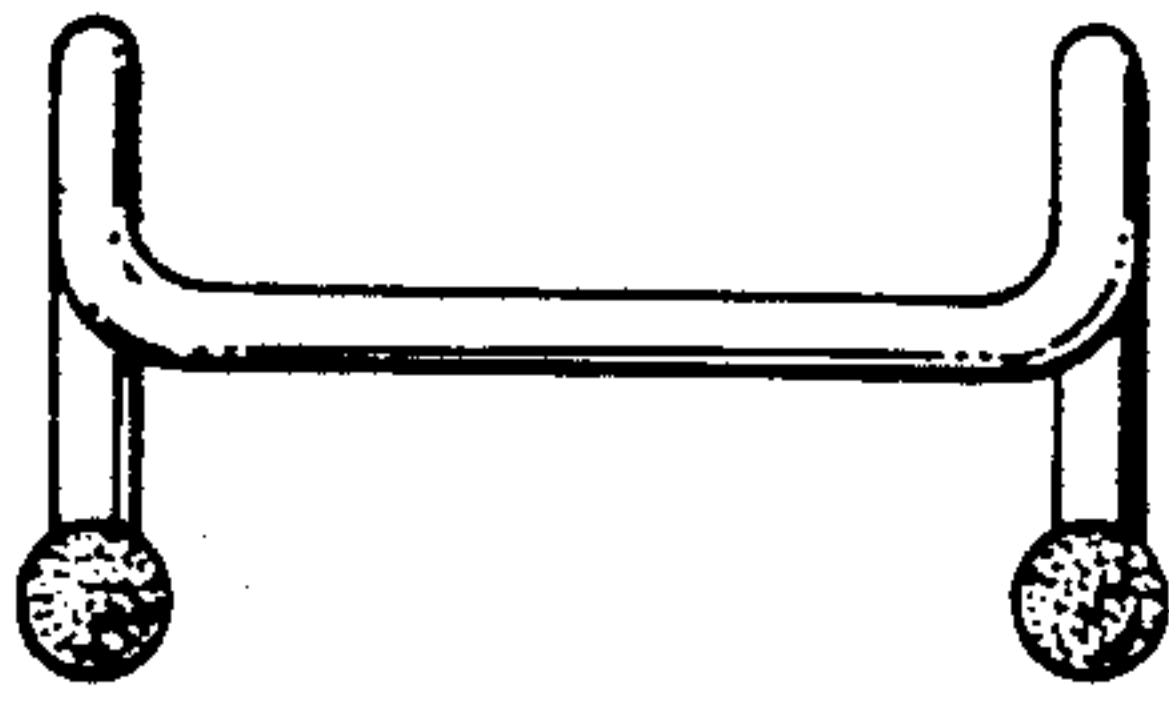


FIG. 14

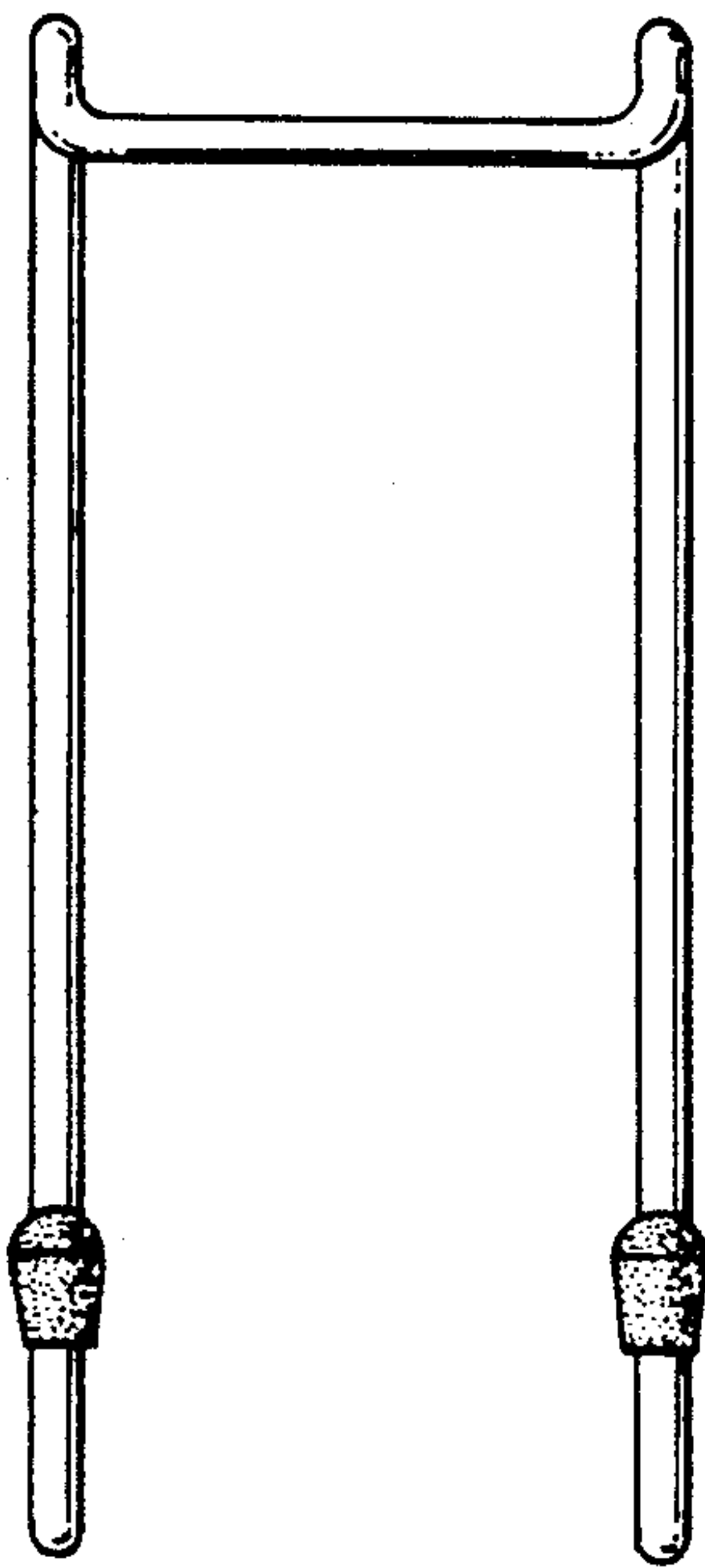


FIG. 15



FIG. 16

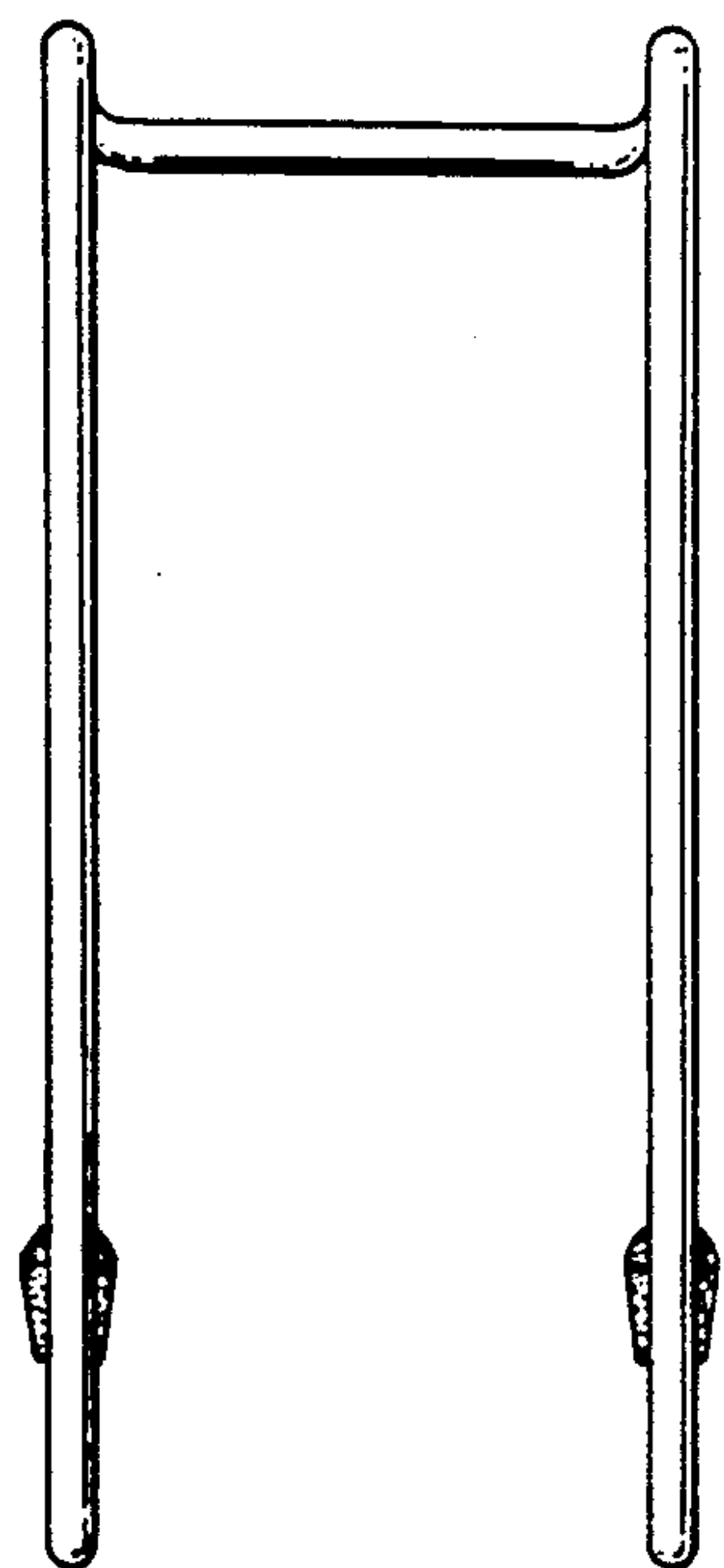


FIG. 17



FIG. 18