



US00D323438S

United States Patent [19]

[11] Patent Number: **Des. 323,438**

Rosen

[45] Date of Patent: **** Jan. 28, 1992**

[54] **COFFEE TABLE**

D. 309,993 8/1990 Miklos D6/495

[75] Inventor: **James Rosen, Los Angeles, Calif.**

OTHER PUBLICATIONS

[73] Assignee: **The Pace Collection, Inc., Long Island City, N.Y.**

Interiors, Nov. 1984, p. 52, Table, bottom right.
Domus, 11-1975, p. 36, Table, top left.
D.I.A. Catalog, p. 14, Table 445-1, center of page.

[**] Term: **14 Years**

Primary Examiner—Bruce W. Dunkins
Assistant Examiner—Janice E. Seeger
Attorney, Agent, or Firm—Darby & Darby

[21] Appl. No.: **318,195**

[22] Filed: **Mar. 2, 1989**

[52] U.S. Cl. **D6/484; D6/482**

[58] Field of Search **D6/480, 482-489, D6/495-499, 429, 430; D30/101, 102, 104**

[57] **CLAIM**

The ornamental design for a coffee table, as shown and described.

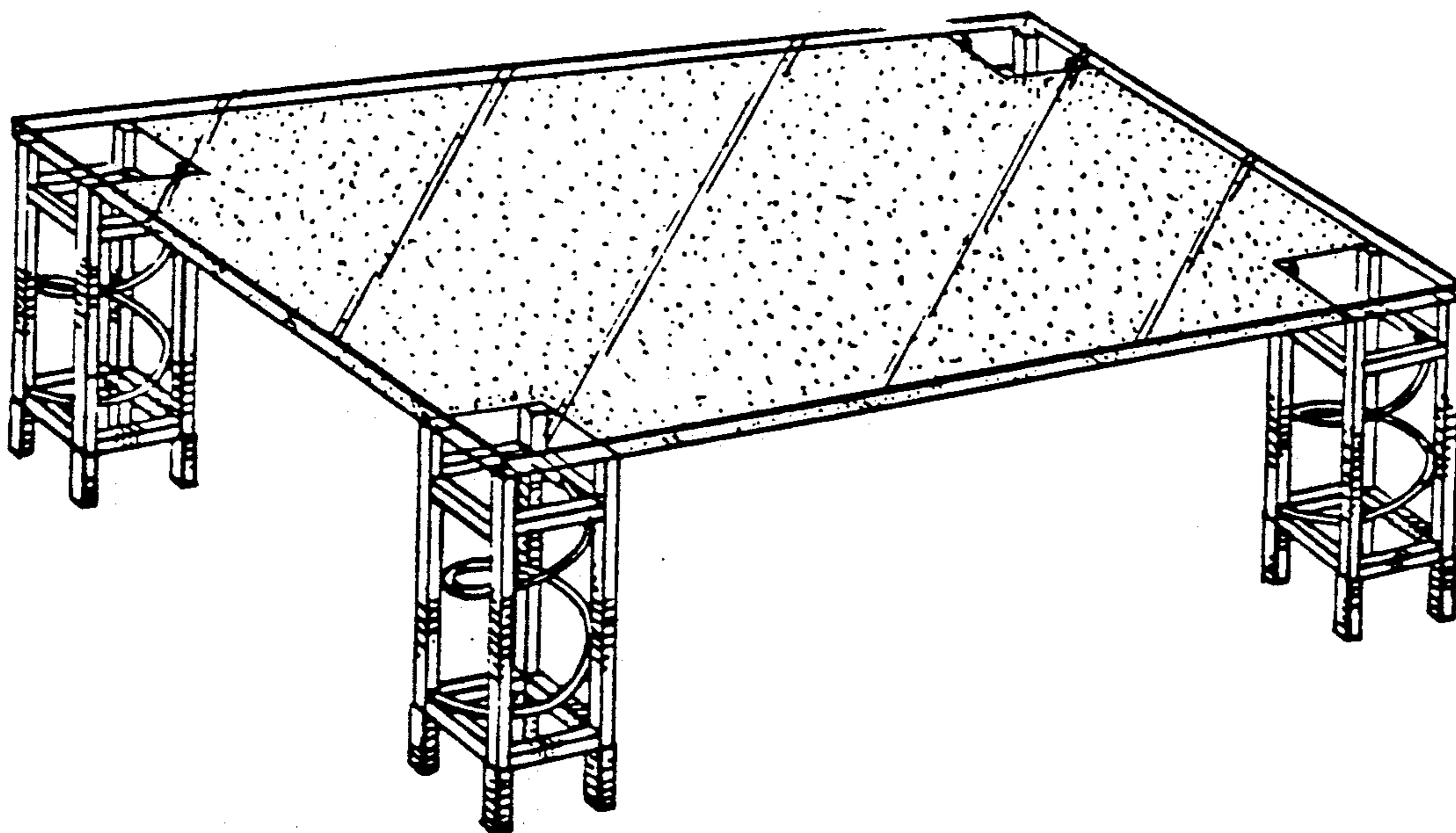
[56] **References Cited**

DESCRIPTION

U.S. PATENT DOCUMENTS

D. 87,162	6/1932	Malik	D6/485 X
D. 125,589	3/1941	Little et al.	D6/487 X
D. 225,941	1/1973	Duern et al.	D6/485
D. 233,499	11/1974	Sakata	D6/488 X
D. 236,926	9/1975	Alexander	D6/485
D. 287,680	1/1987	Lonngren	D6/485
D. 289,476	4/1987	Holl	D6/486 X
D. 292,034	9/1987	Perkinson	D30/101
D. 303,052	8/1989	Rosen	D6/480

FIG. 1 is a top perspective view of a coffee table showing my new design;
FIG. 2 is a top plan view thereof;
FIG. 3 is a front elevational view thereof, the rear side being a mirror image of the front elevational view shown;
FIG. 4 is a right side elevational view thereof, the left side being a mirror image of the right side shown; and
FIG. 5 is a bottom plan view.



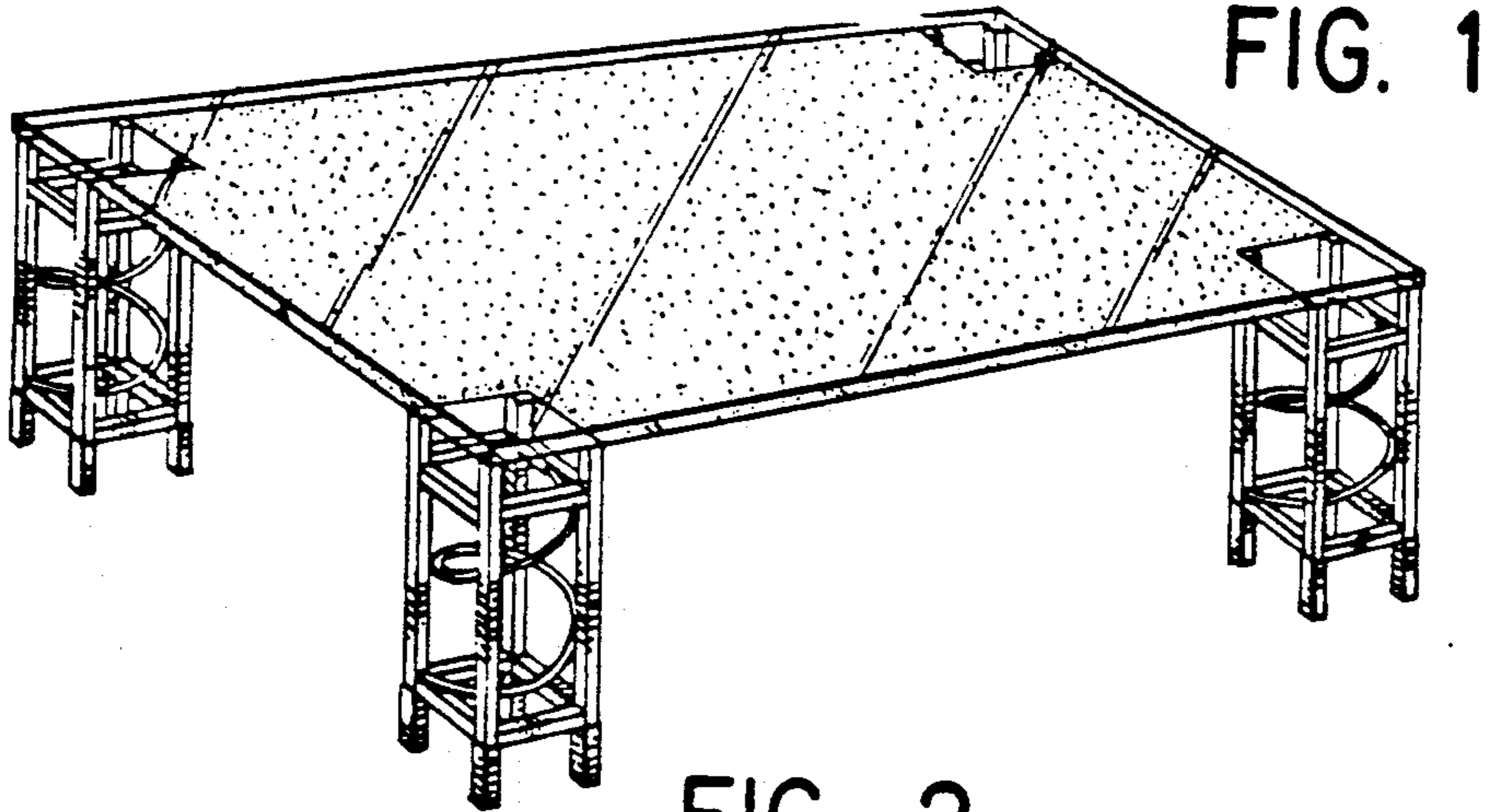


FIG. 1

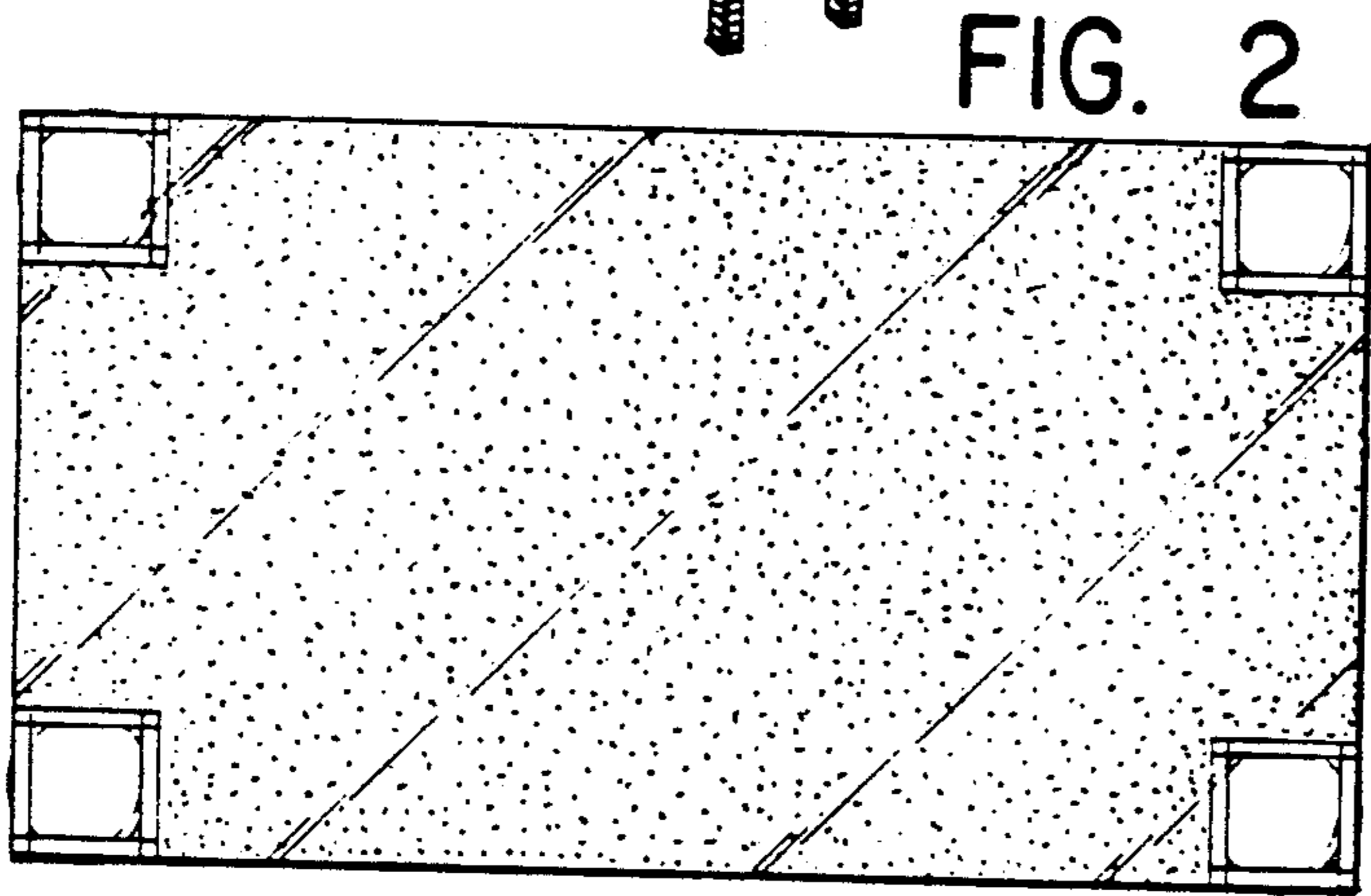


FIG. 2

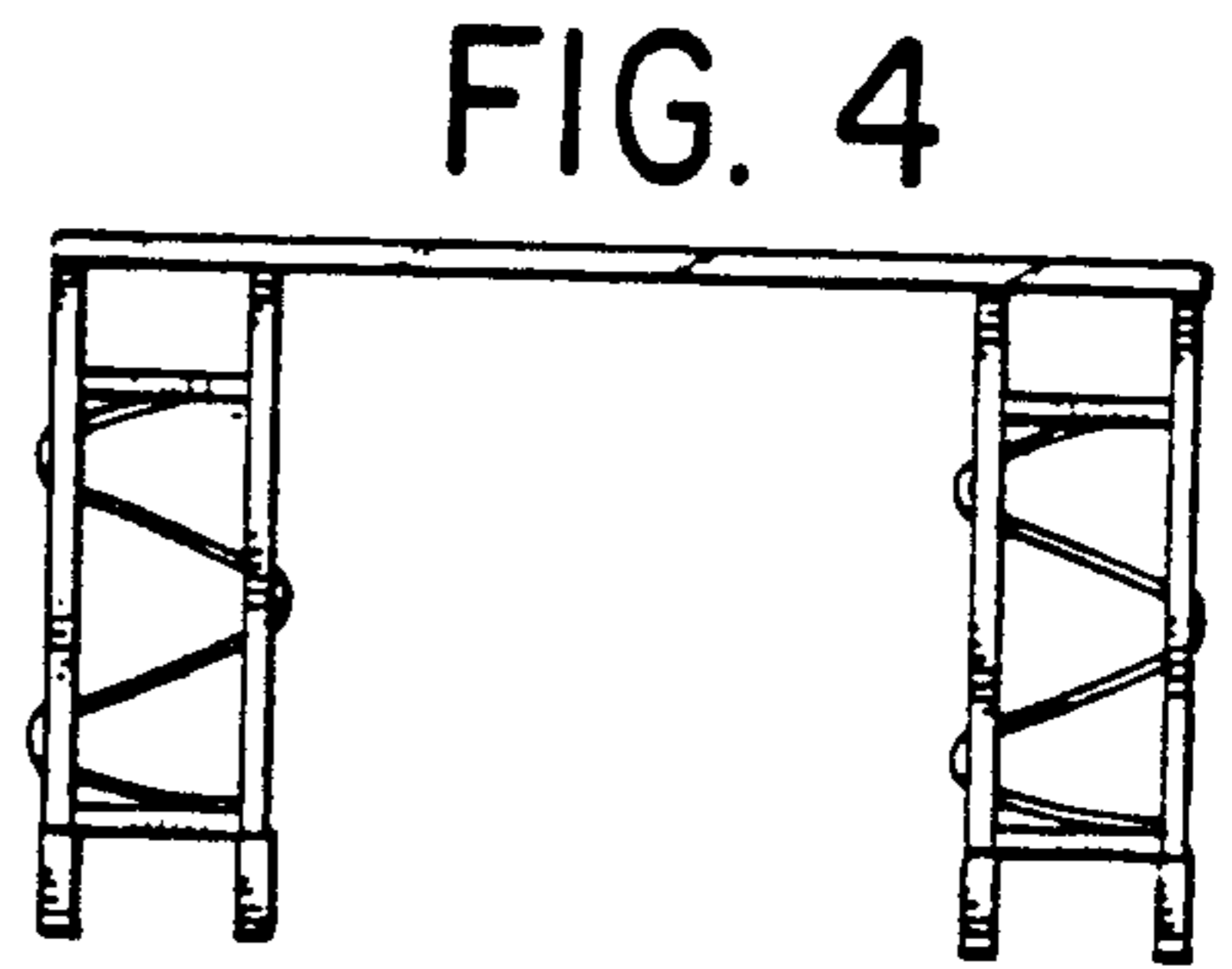


FIG. 3

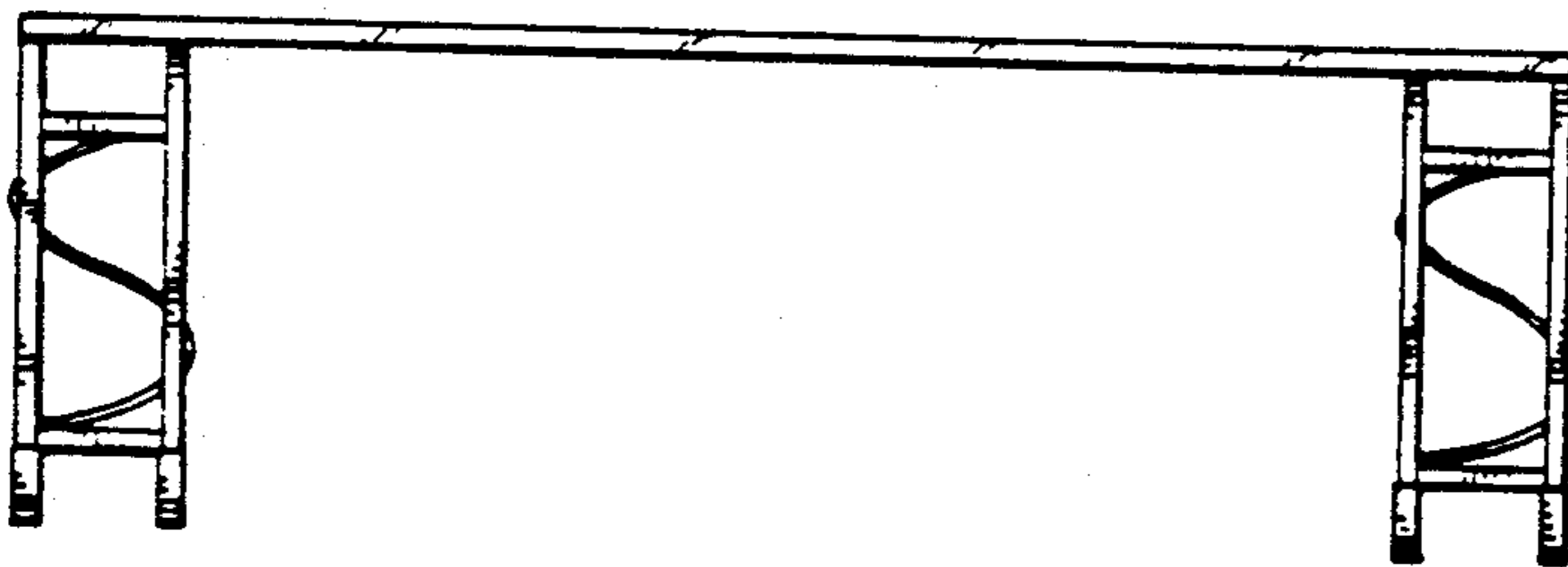


FIG. 4

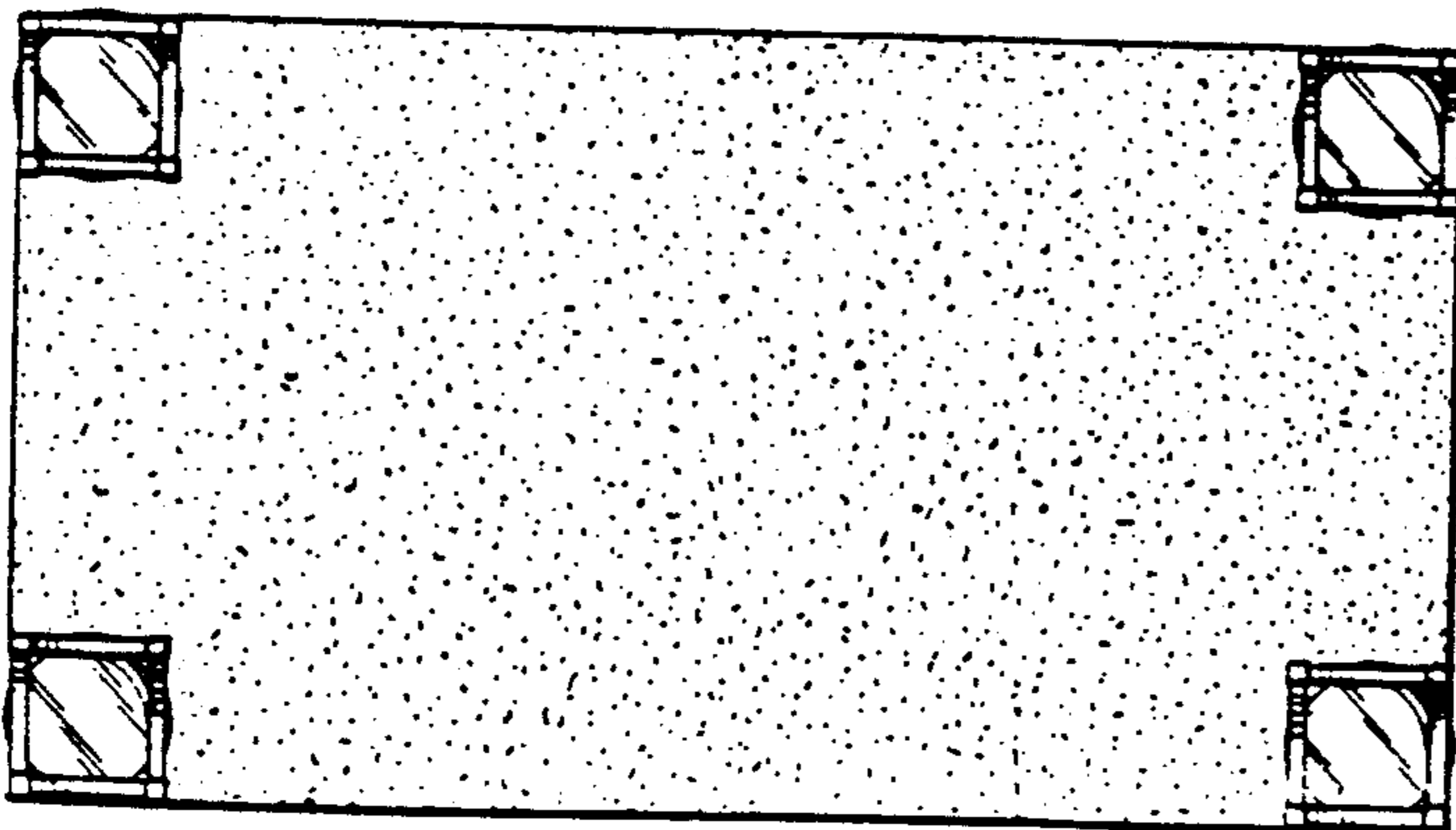


FIG. 5