



US00D323437S

United States Patent [19]

[11] Patent Number: **Des. 323,437**

Hashimoto et al.

[45] Date of Patent: **** Jan. 28, 1992**

[54] CONTROL TABLE FOR SPECTRO PHOTOMETER

[75] Inventors: **Kazunori Hashimoto**, Tachikawa;
Kazuki Torai, Kokubunji; **Sadao
Minakawa**, Mito; **Hitoshi Komatsu**,
Higashi, all of Japan

[73] Assignee: **Hitachi, Ltd.**, Tokyo, Japan

[**] Term: **14 Years**

[21] Appl. No.: **389,563**

[22] Filed: **Aug. 4, 1989**

[52] U.S. Cl. **D6/436; D6/396;
D6/426; D6/428; D6/430; D6/437**

[58] Field of Search **D6/436, 422, 310-314,
D6/407, 417, 419, 420-428, 441, 445, 446, 456,
474; D3/35; D19/90, 91; 248/156, 441.1, 444.1,
459, 460, 530; 206/387; 312/194-195; 108/1, 6,
8, 10; D25/119**

[56] References Cited

U.S. PATENT DOCUMENTS

D. 274,873	7/1984	Cope et al.	D6/428 X
D. 286,353	10/1986	Robolin	D6/474
D. 304,112	10/1989	Bettess	D6/474 X
D. 305,585	1/1990	Wright	D6/474 X

OTHER PUBLICATIONS

The Office, Oct. 1981, p. 222, "CRT Stand", right center of page.

OPD, May 1984, p. 104, "Booth 6656", right center, of page.

OPD, May 1984, p. 80, "Computer Support Furniture", center of page.

Primary Examiner—Bruce W. Dunkins

Assistant Examiner—Monica H. Hannon

Attorney, Agent, or Firm—Antonelli, Terry, Stout & Kraus

[57] CLAIM

The ornamental design for a control table for spectro photometer, as shown and described.

DESCRIPTION

FIG. 1 is a front, top and left side perspective view of a control table for spectro photometer showing our new design;

FIG. 2 is a front elevational view thereof;

FIG. 3 is a right side elevational view thereof;

FIG. 4 is a top plan view thereof;

FIG. 5 is a rear elevational view thereof;

FIG. 6 is a bottom plan view thereof; and

FIG. 7 is a front perspective view with a cover set, spectro photometer, display, typewriter and keyboard shown in broken lines for environmental purposes thereof.

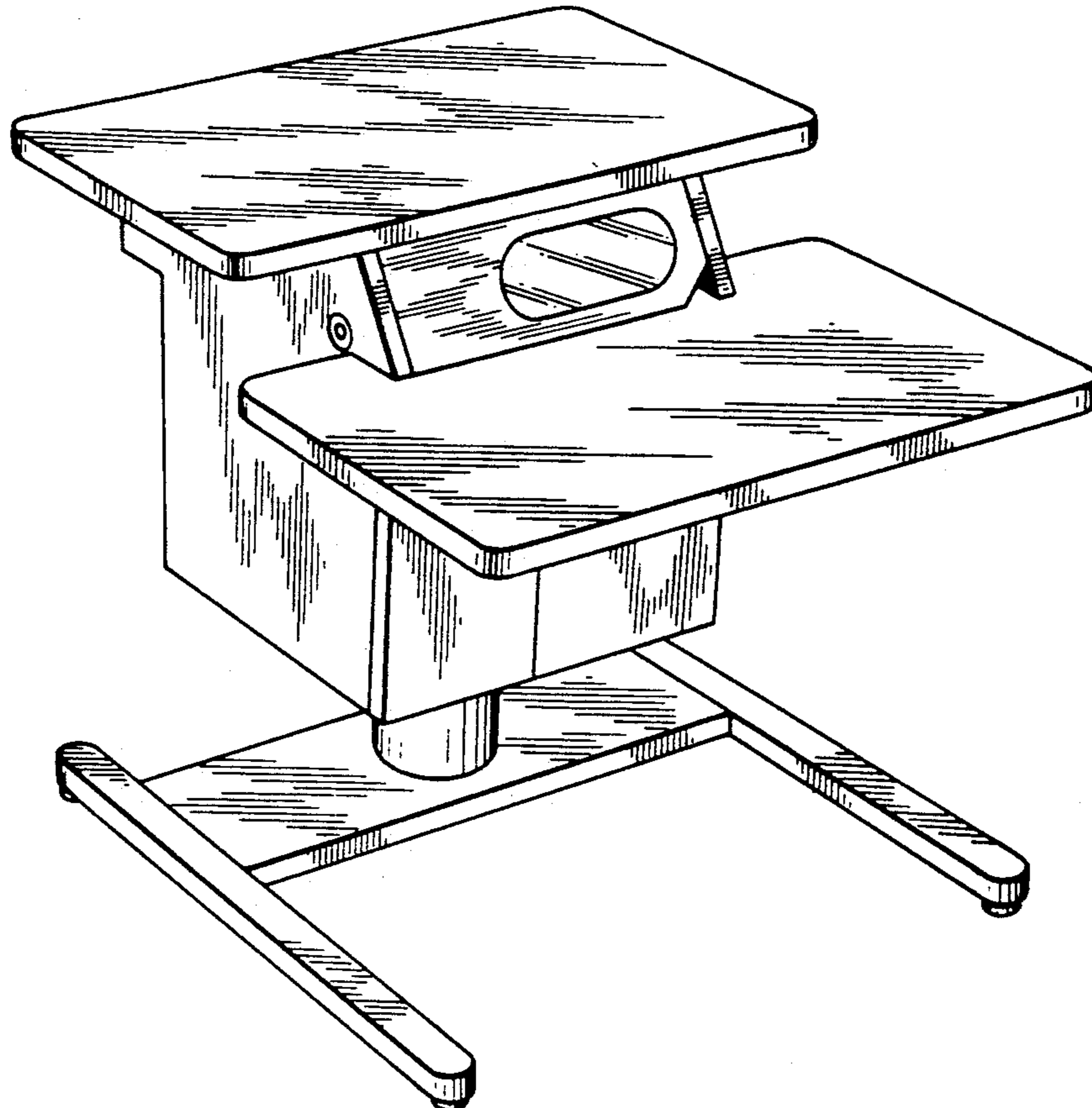


FIG. 1

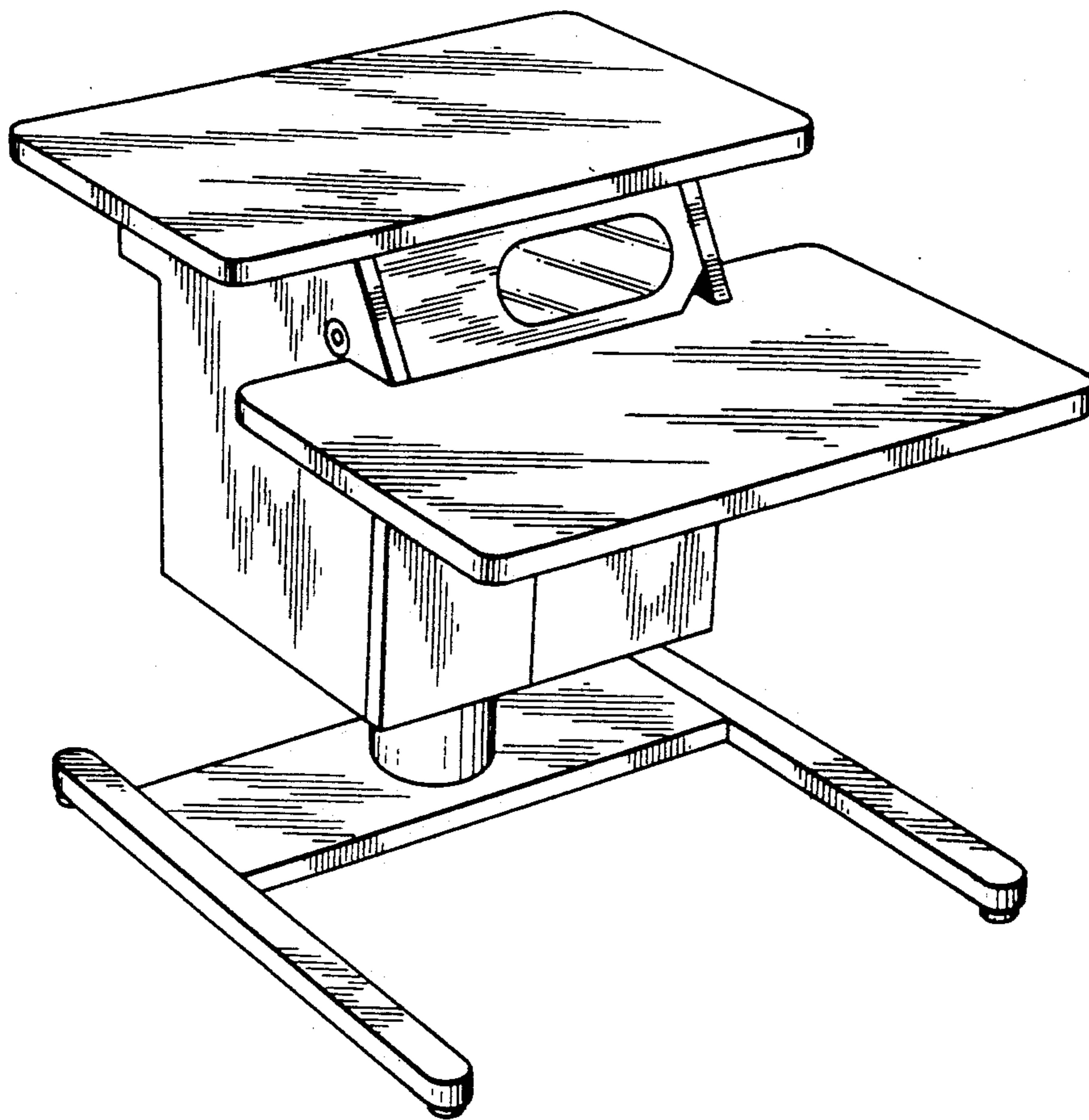


FIG. 2

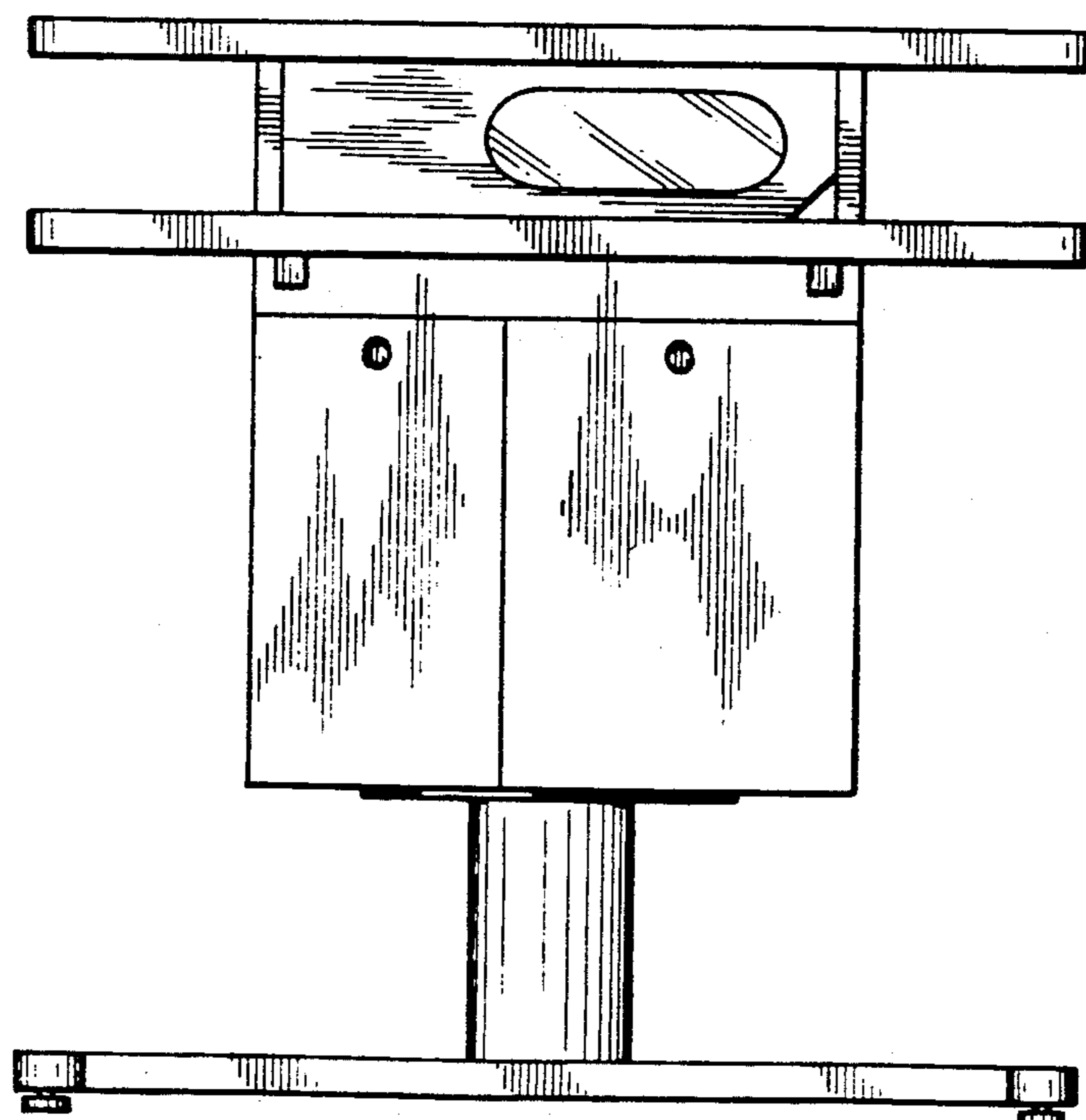


FIG. 3

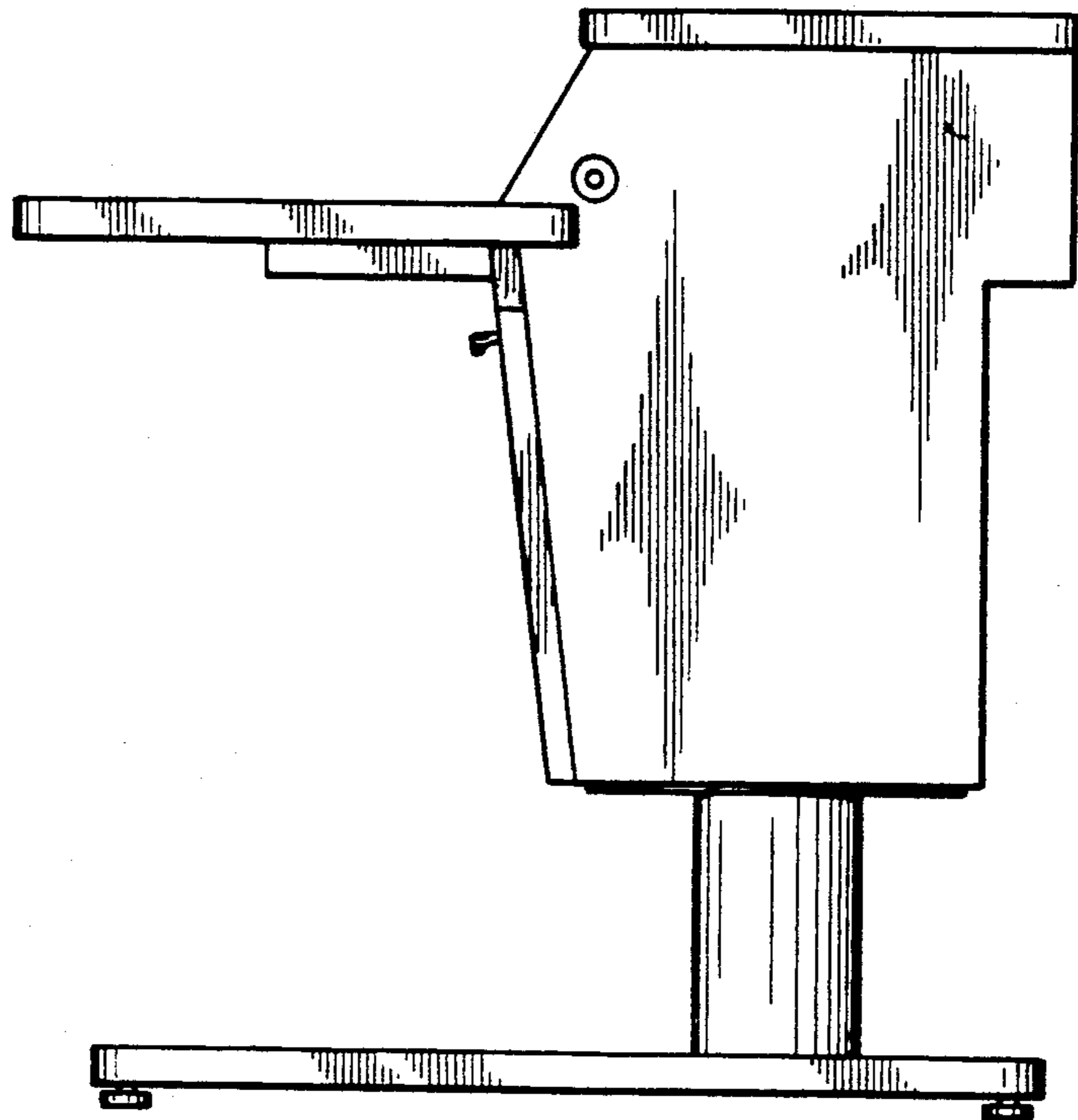


FIG. 4

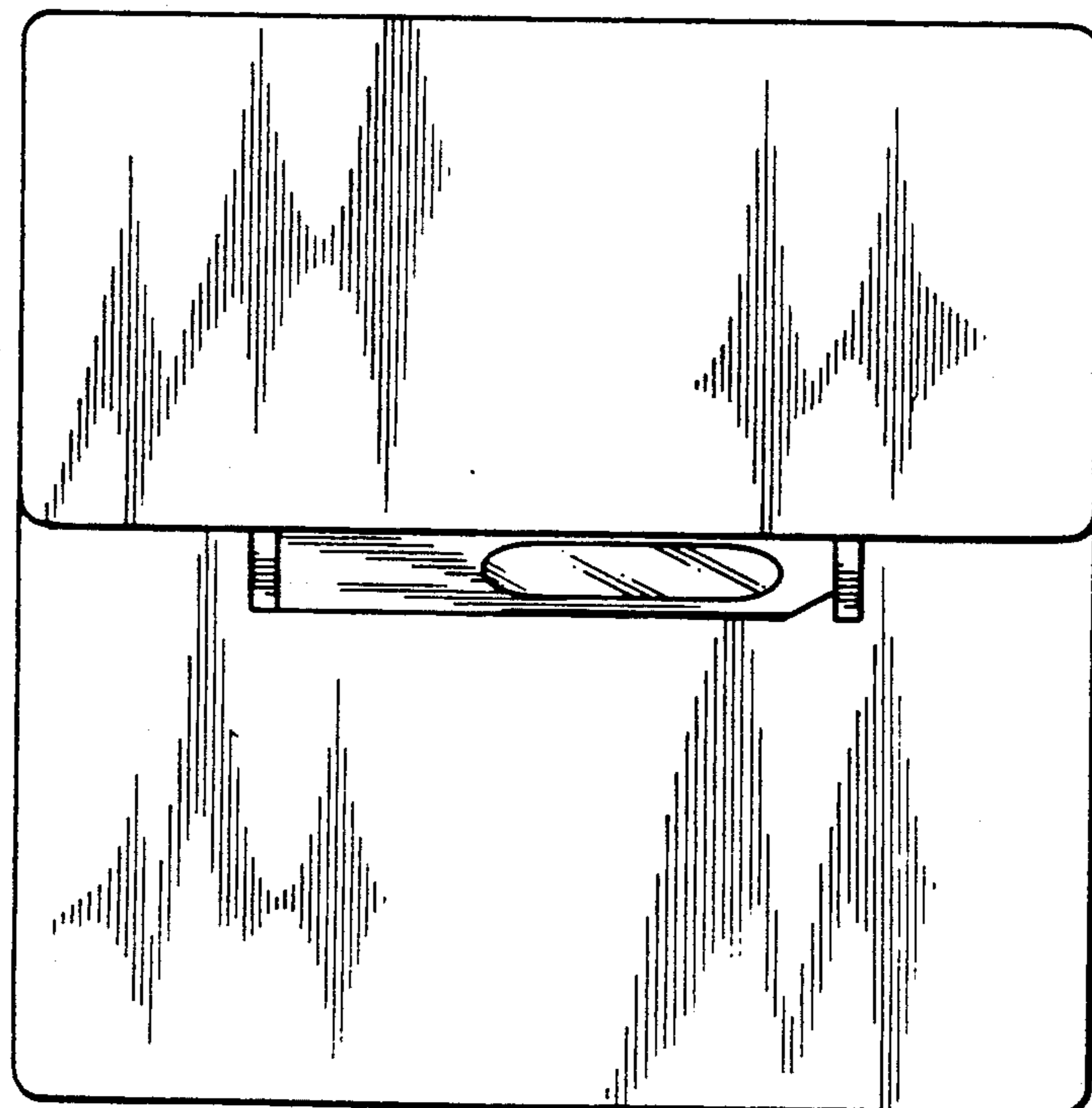


FIG. 5

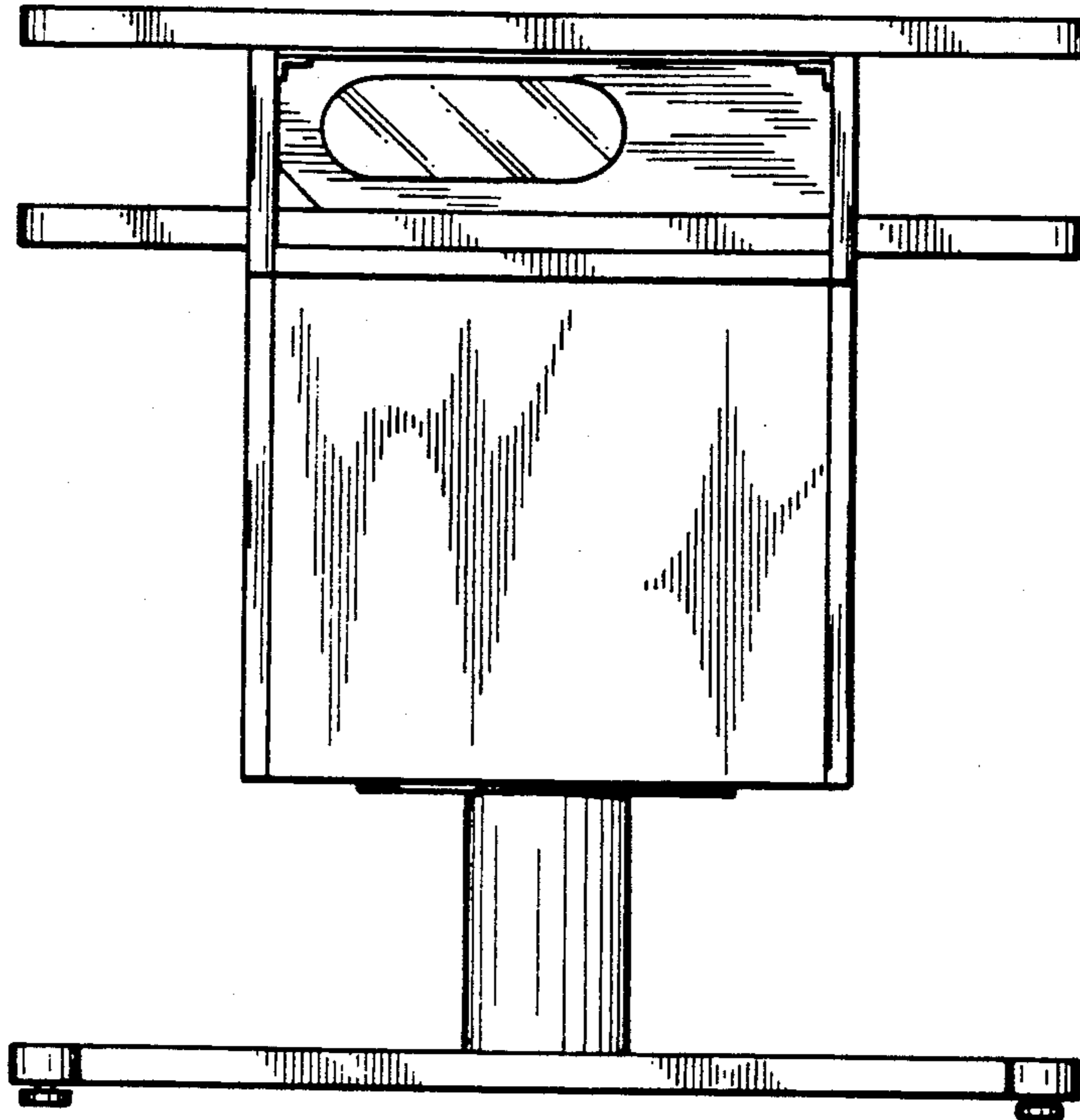


FIG. 6

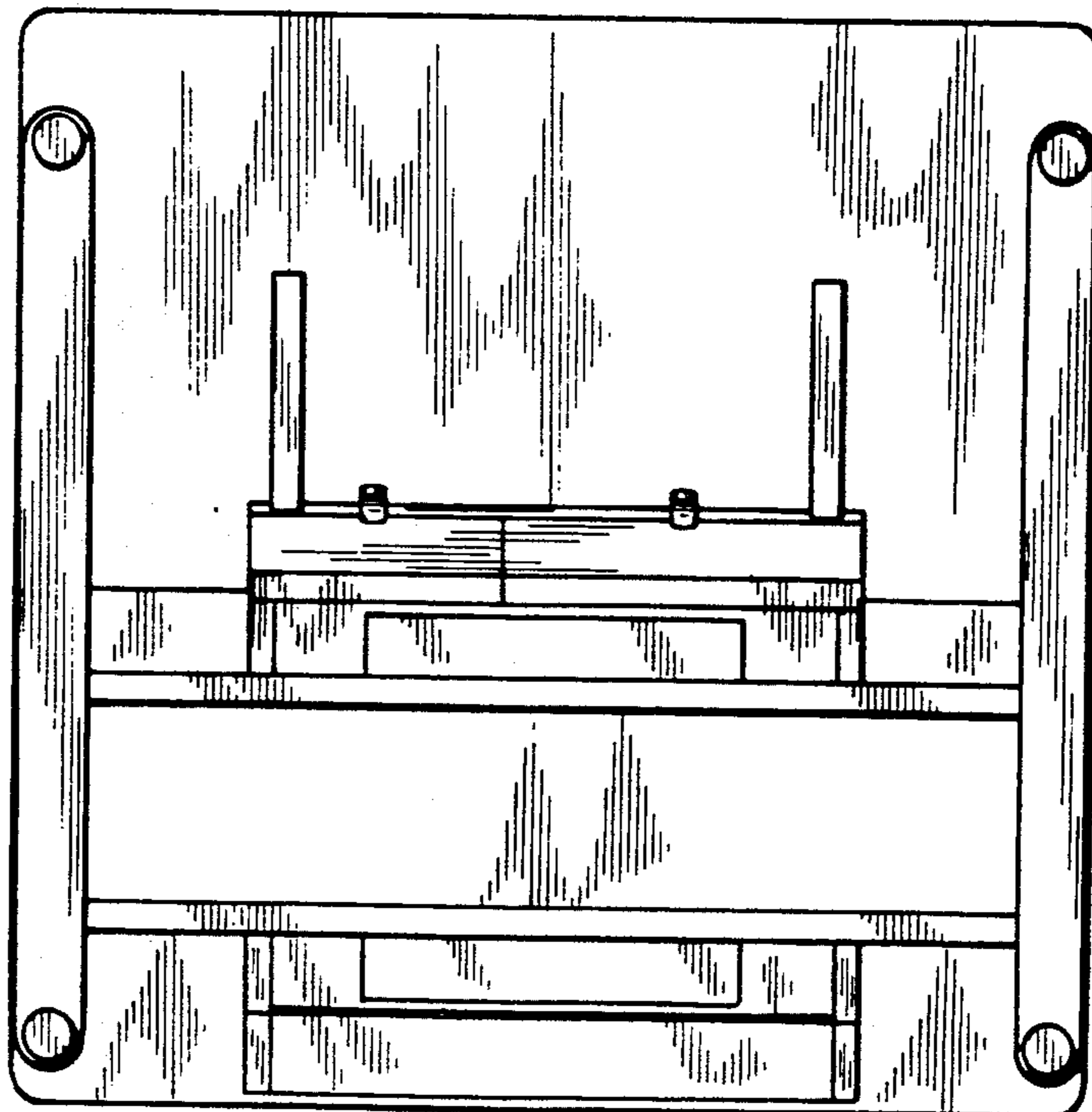


FIG. 7

