



US00D323436S

United States Patent [19]

[11] Patent Number: Des. 323,436

Harrison

[45] Date of Patent: ** Jan. 28, 1992

[54] VERTICALLY ADJUSTABLE TABLE

[76] Inventor: Joseph H. Harrison, 14310 Nacodoches Rd., Apt. 1603, San Antonio, Tex. 78247

[**] Term: 14 Years

[21] Appl. No.: 347,285

[22] Filed: May 4, 1989

[52] U.S. Cl. D6/429; D6/484; D6/430; D6/431

[58] Field of Search 108/1, 96; D6/480, 484, D6/487, 431

[56] **References Cited**

U.S. PATENT DOCUMENTS

- D. 235,285 6/1975 Dawson D6/338
- D. 266,468 10/1982 Ylänkö D6/431
- D. 274,586 7/1984 Cope et al. D6/431 X
- D. 288,157 2/1987 Sandor D6/480 X
- D. 288,750 3/1987 Friedman D6/431 X
- D. 290,199 6/1987 Hampshire D6/431

- D. 308,922 7/1990 Ng et al. D6/484 X
- D. 316,723 5/1991 Ng et al. D6/484 X
- 4,632,349 12/1986 Anstey 108/96 X

Primary Examiner—Bruce W. Dunkins

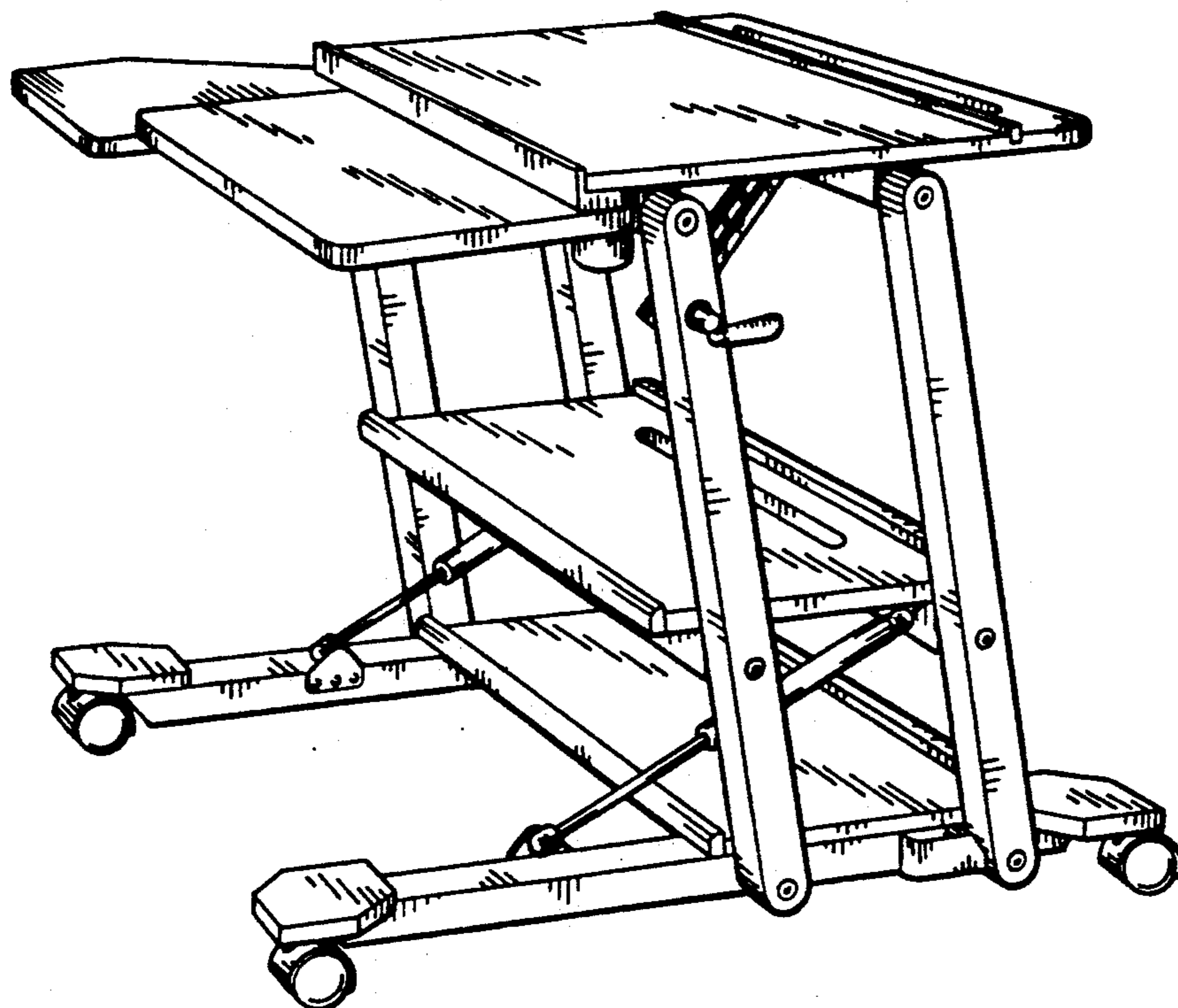
Assistant Examiner—Janice E. Seeger

[57] **CLAIM**

The ornamental design for a vertically adjustable table, as shown and described.

DESCRIPTION

FIG. 1 is a perspective view of a vertically adjustable table, showing my new design;
 FIG. 2 is a side elevational view thereof;
 FIG. 3 is a side elevational view showing the opposite side thereof;
 FIG. 4 is a top plan view thereof;
 FIG. 5 is a rear elevational view thereof;
 FIG. 6 is a front elevational view thereof;
 FIG. 7 is a perspective view, in partly lowered condition; and
 FIG. 8 is a side elevational view, in partly lowered condition.



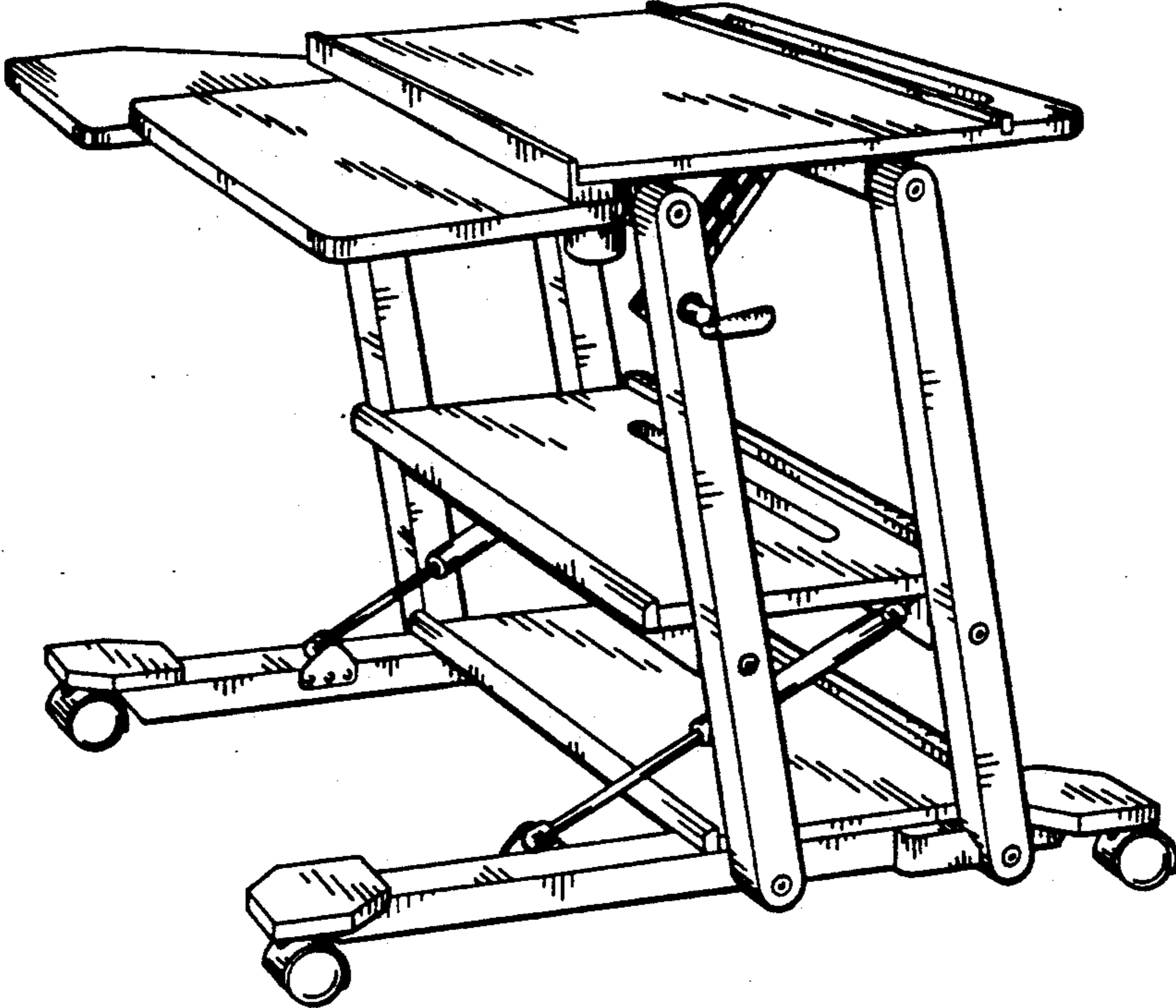


FIG. 1

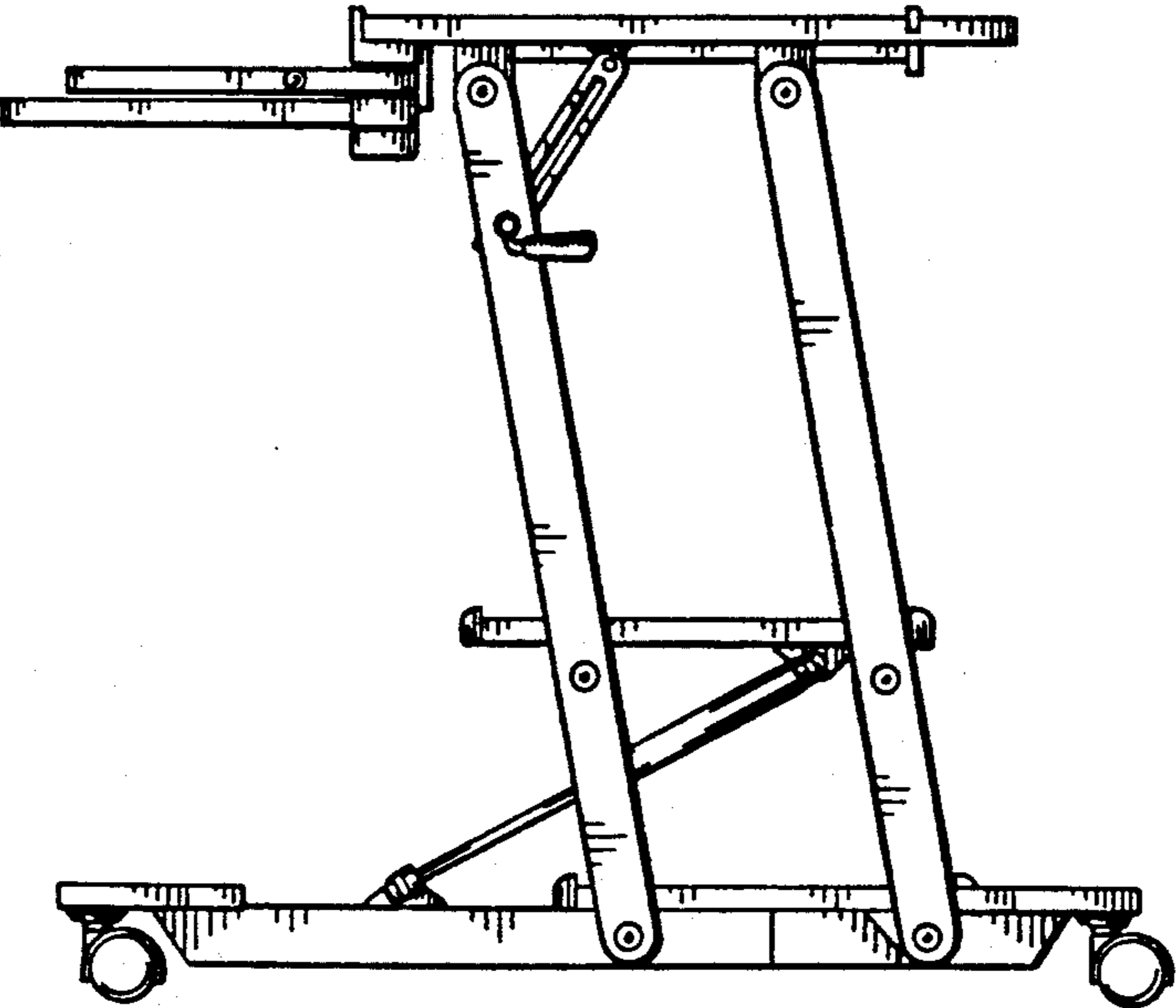


FIG. 2

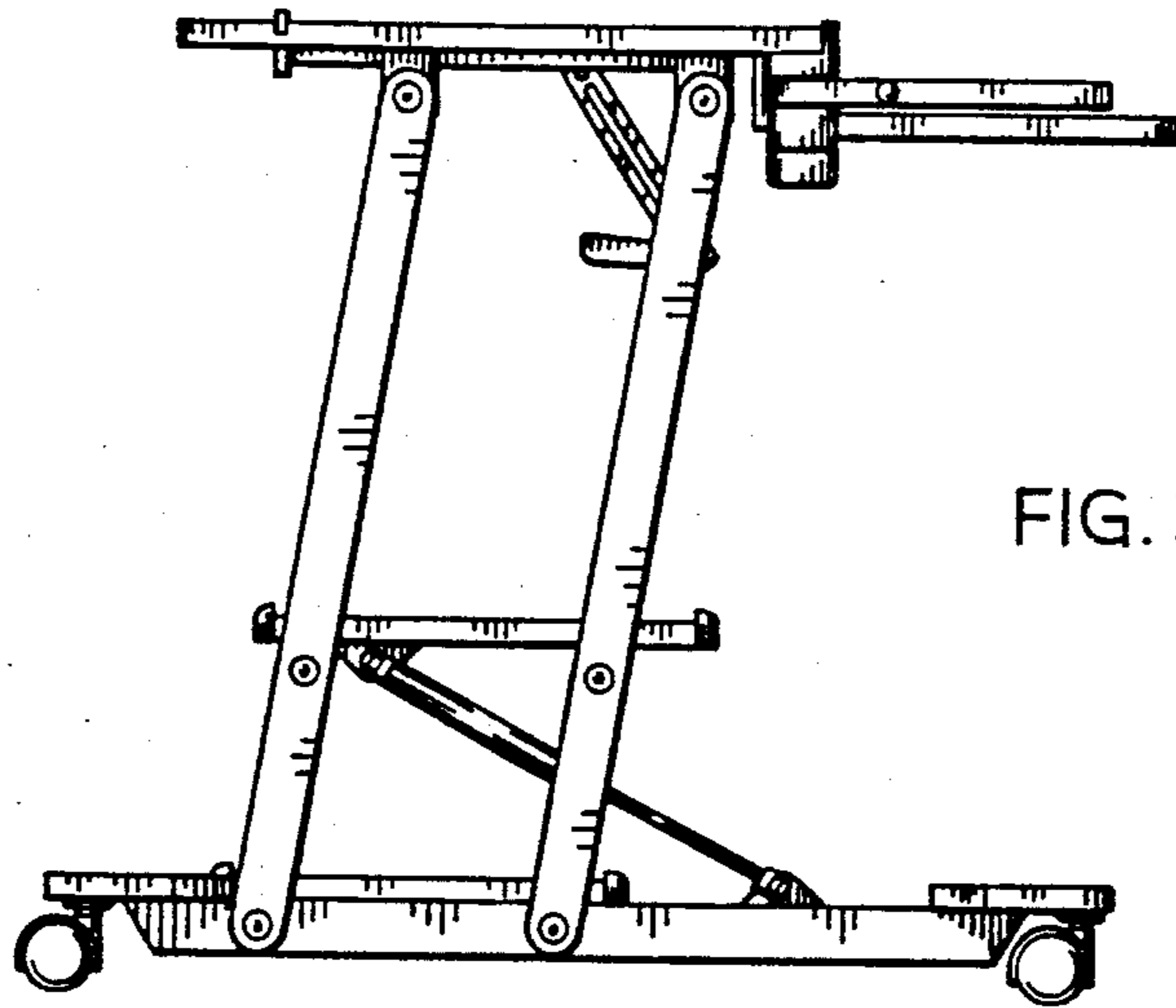


FIG. 3

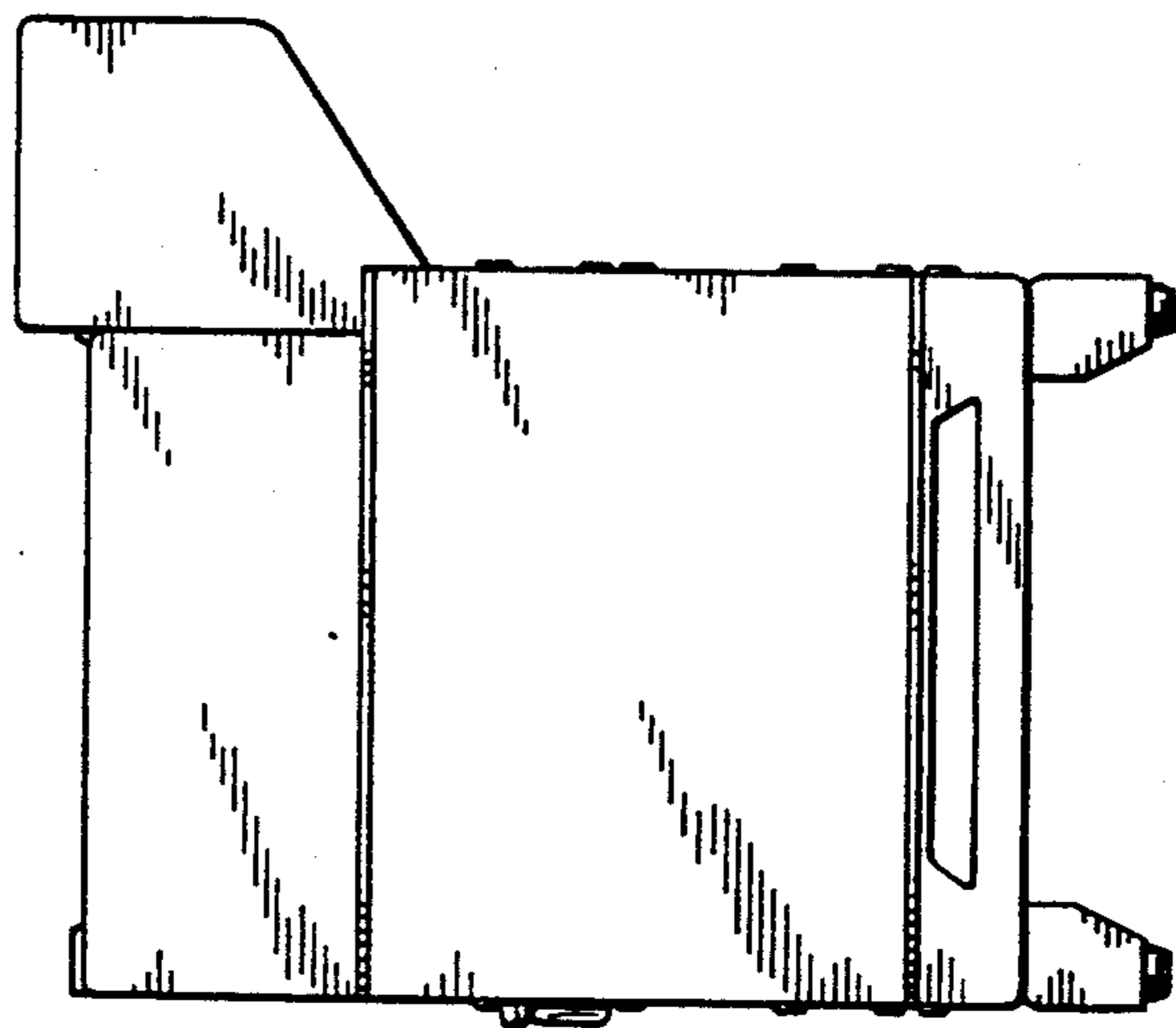


FIG. 4

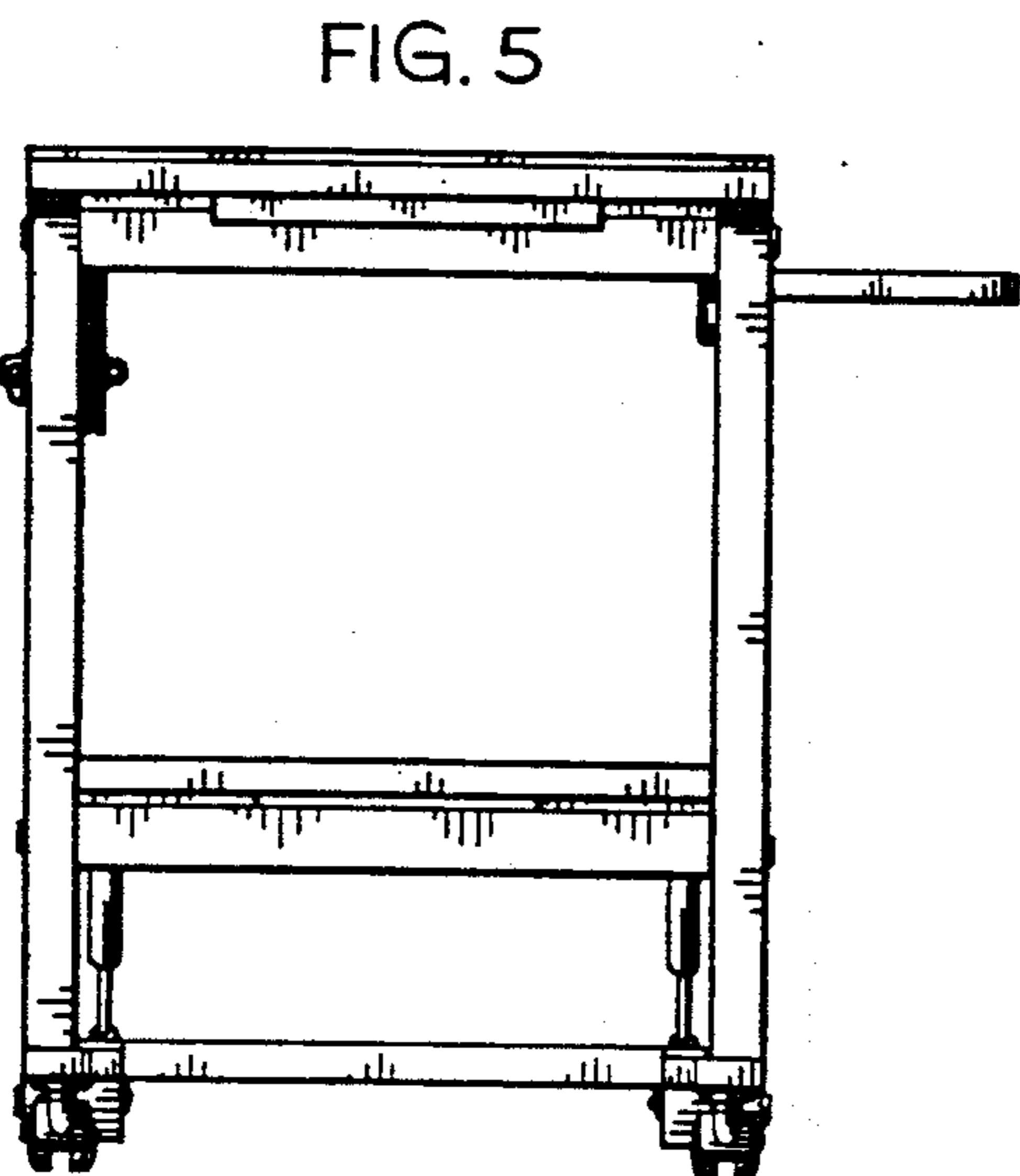


FIG. 5

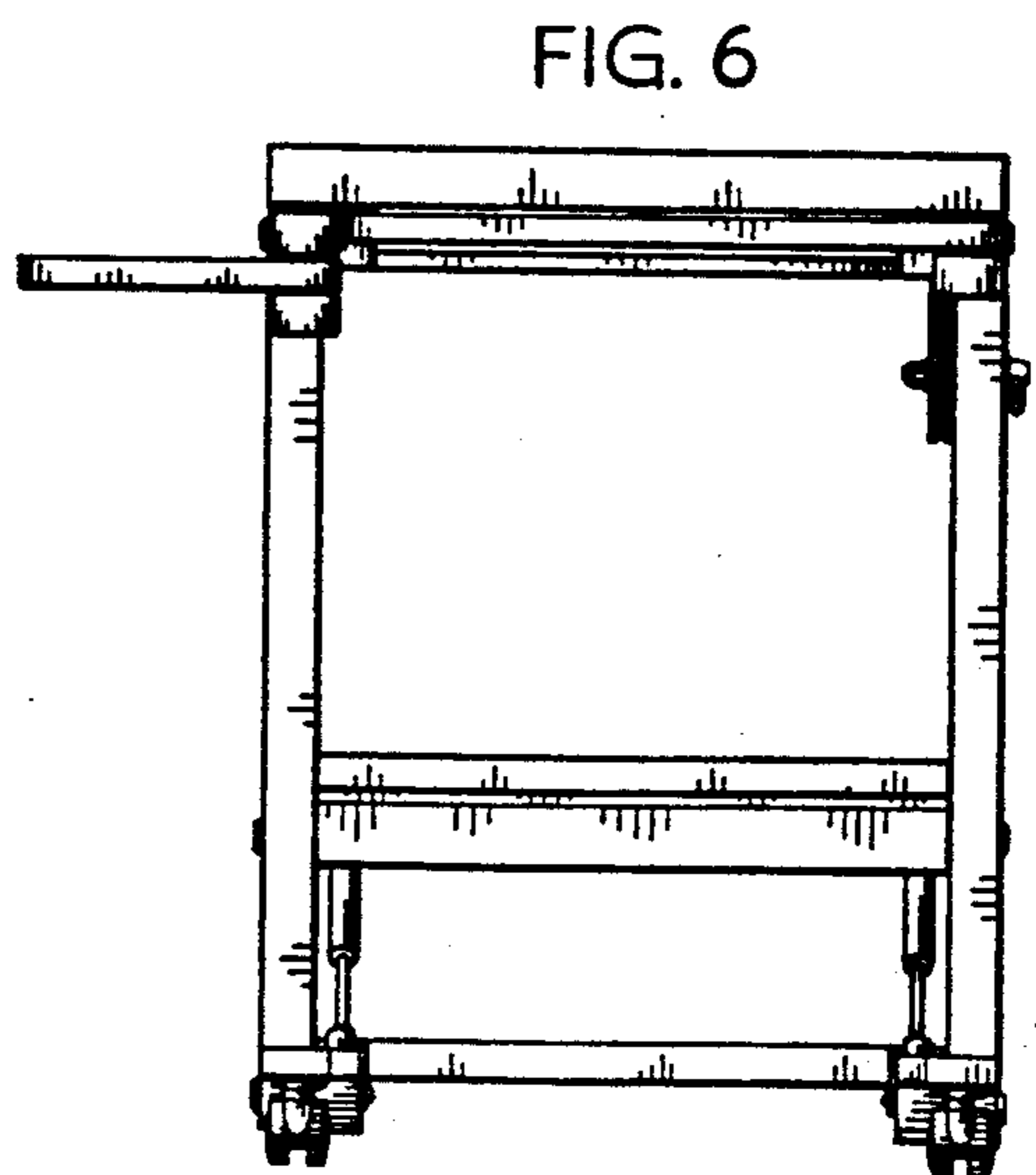


FIG. 6



FIG. 7

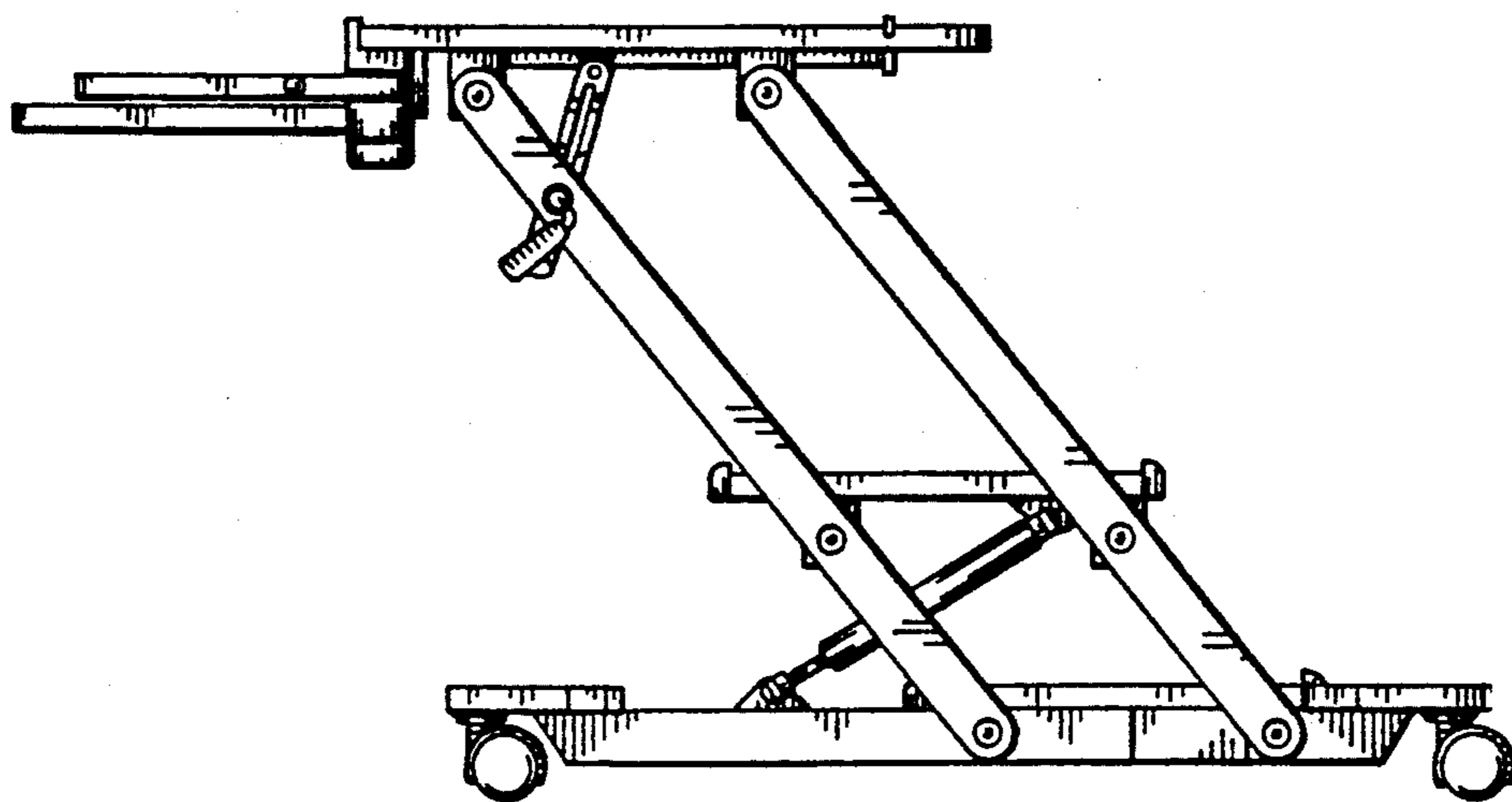


FIG. 8