



US00D323434S

United States Patent [19]

[11] Patent Number: **Des. 323,434**

Moynihan et al.

[45] Date of Patent: **** Jan. 28, 1992**

[54] FOLDING LOUNGE CHAIR

[75] Inventors: **John A. Moynihan; Janet Santucci; Mary A. Moynihan; Russell C. Santucci**, all of Portola Valley; **David M. Kelley; Cynthia L. Benjamin**, both of Palo Alto, all of Calif.

[73] Assignee: **Tahoe Lake Front Corporation**, Menlo Park, Calif.

[**] Term: **14 Years**

[21] Appl. No.: **189,500**

[22] Filed: **May 2, 1988**

Related U.S. Application Data

[63] Continuation-in-part of Ser. No. 878,565, Jun. 25, 1986, abandoned.

[52] U.S. Cl. **D6/368**

[58] Field of Search **D6/334, 336, 361, 368, D6/500, 501, 502; 297/17, 118, 360**

[56] References Cited

U.S. PATENT DOCUMENTS

D. 168,270 11/1952 Lamb **D6/361 X**

D. 220,908	6/1971	Smith	D6/368
D. 227,952	7/1973	Costabile	D6/361 X
D. 236,861	9/1975	Conrad et al.	D6/361
D. 248,344	7/1978	Uchida	D6/368
D. 282,416	2/1986	Giordano	D6/361
D. 288,991	3/1987	Noga	D6/336
D. 311,459	10/1990	Holmström	D6/361 X
2,645,275	7/1953	Wong	297/360
3,469,882	9/1969	Larsen	297/118
4,025,107	5/1977	Chippa	297/17
4,577,901	3/1986	Phillips	297/17

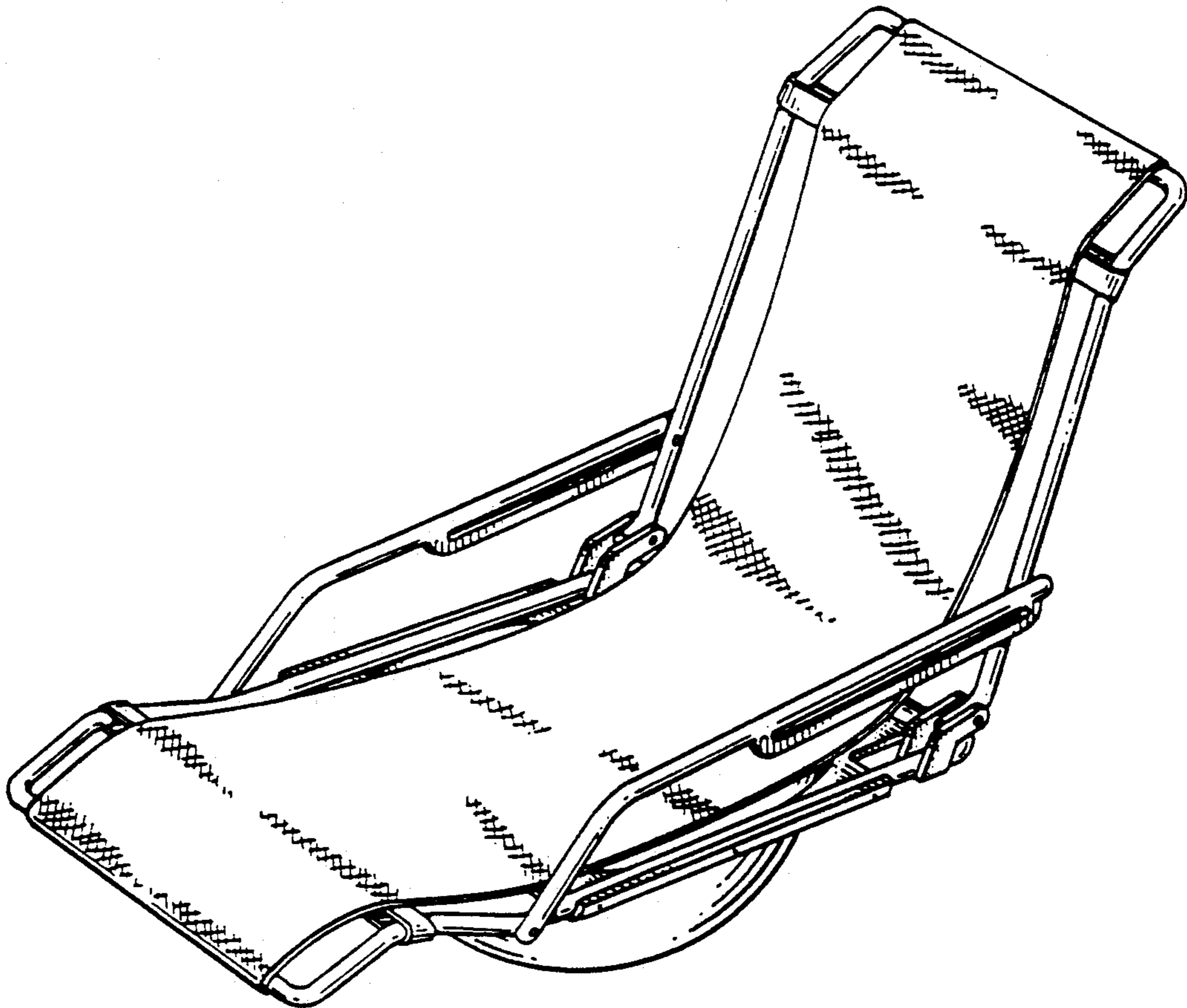
Primary Examiner—Bruce W. Dunkins
Assistant Examiner—Gary D. Watson
Attorney, Agent, or Firm—Morrison & Foerster

[57] CLAIM

The ornamental design for a folding lounge chair, as shown and described.

DESCRIPTION

FIG. 1 is a front perspective view of a folding lounge chair showing our new design;
FIG. 2 is a side elevational view, the opposite side being a mirror image thereof;
FIG. 3 is a front elevational view;
FIG. 4 is a bottom plan view; and
FIG. 5 is a rear elevational view thereof.



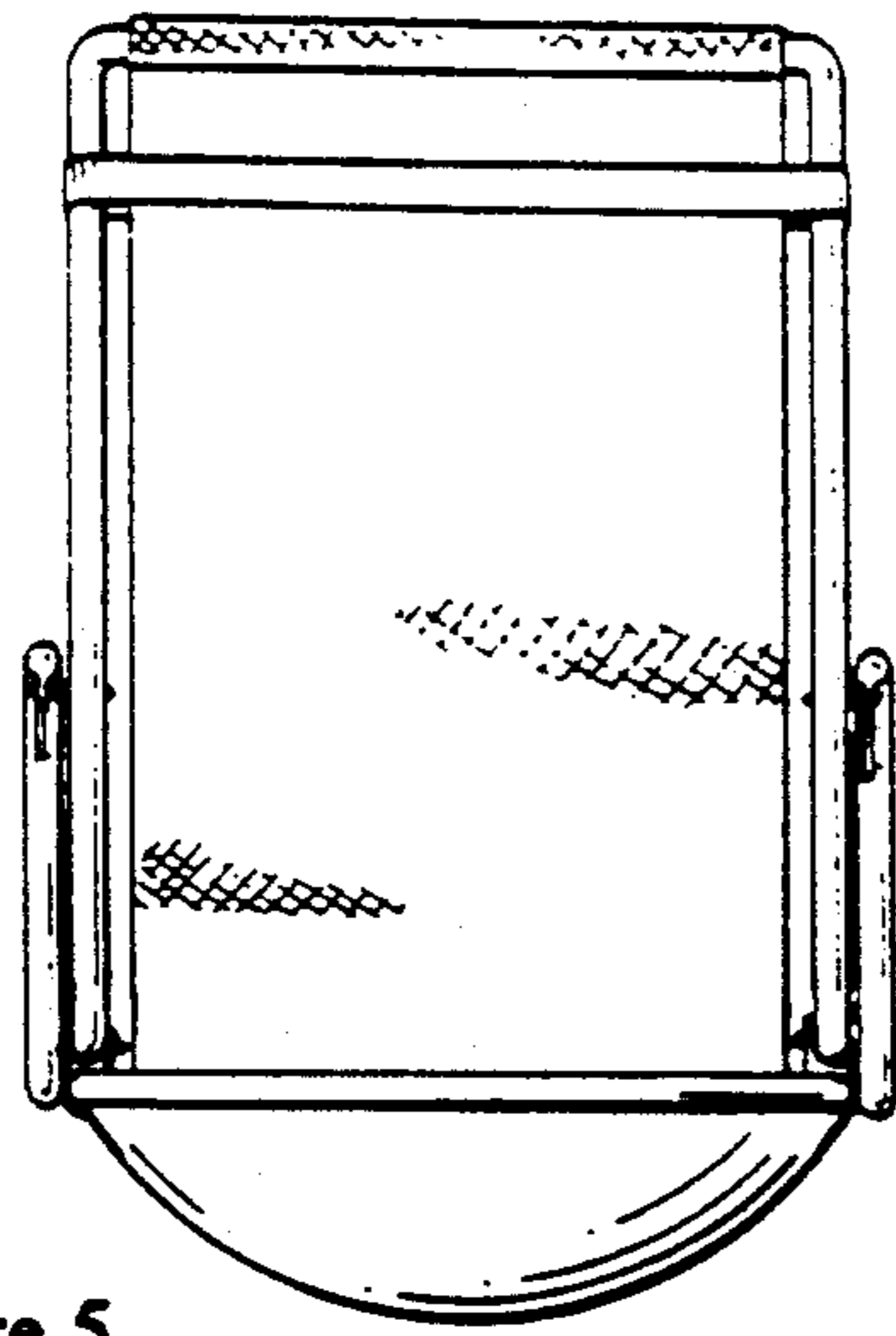


Figure 5

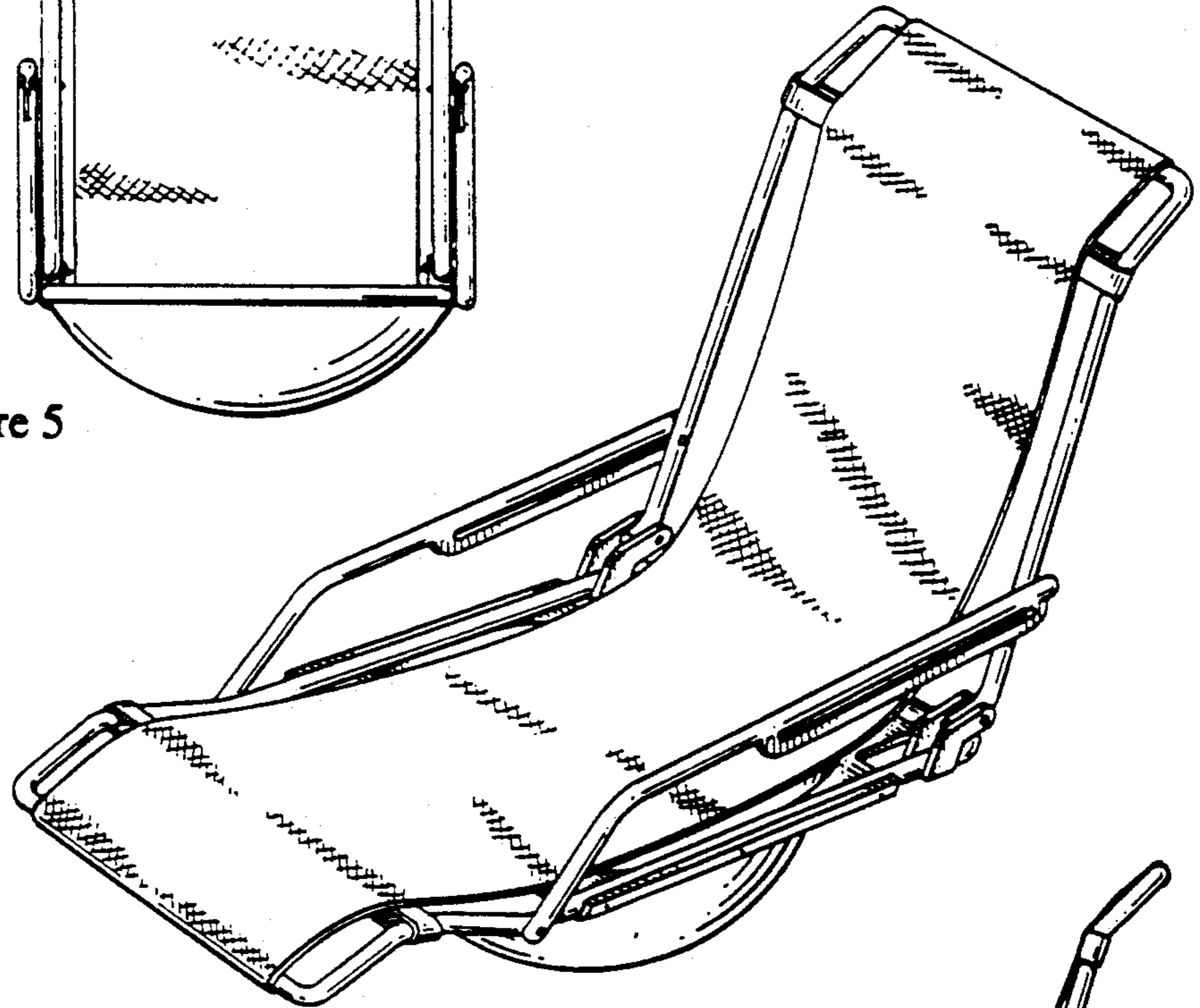


Figure 1

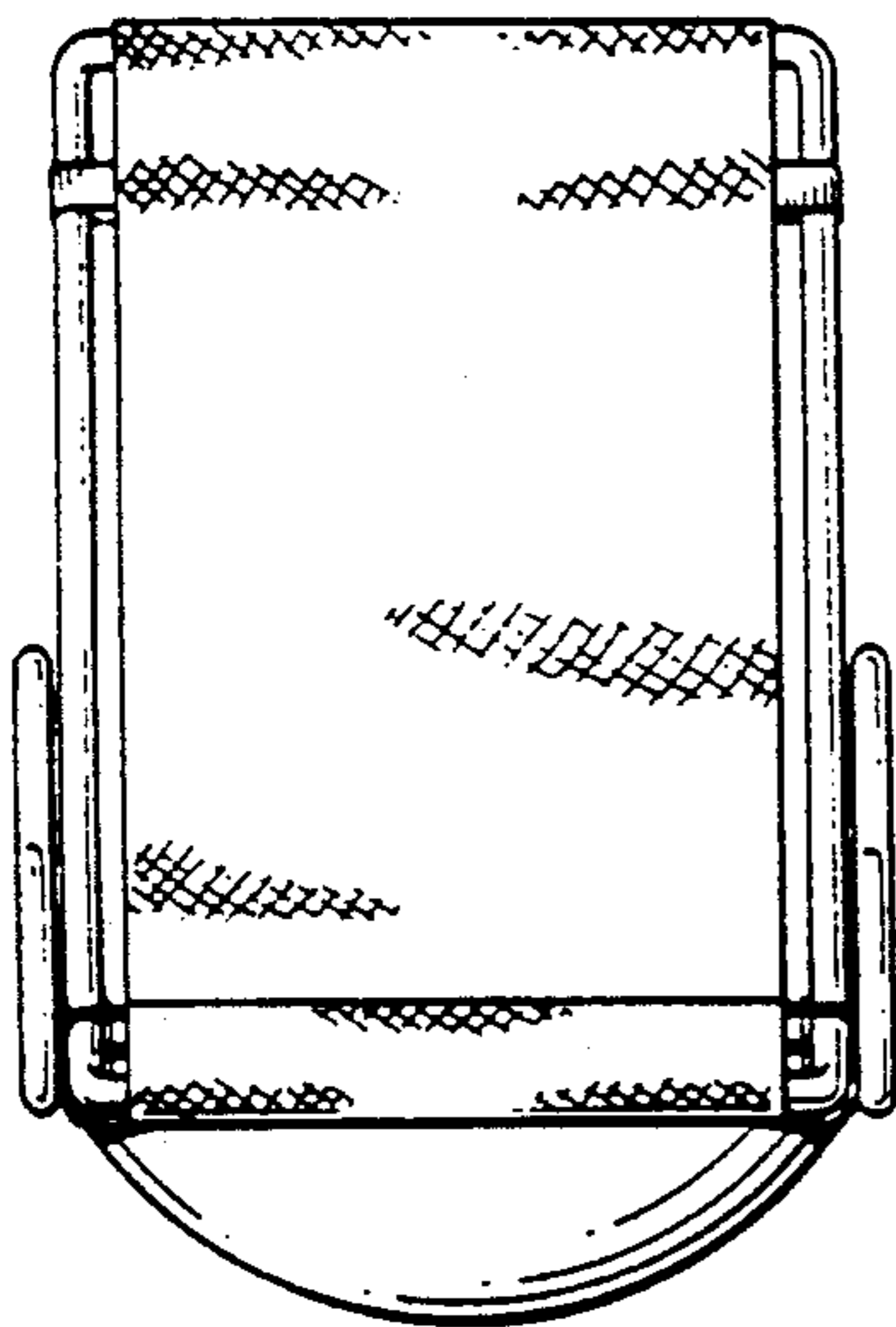


Figure 3

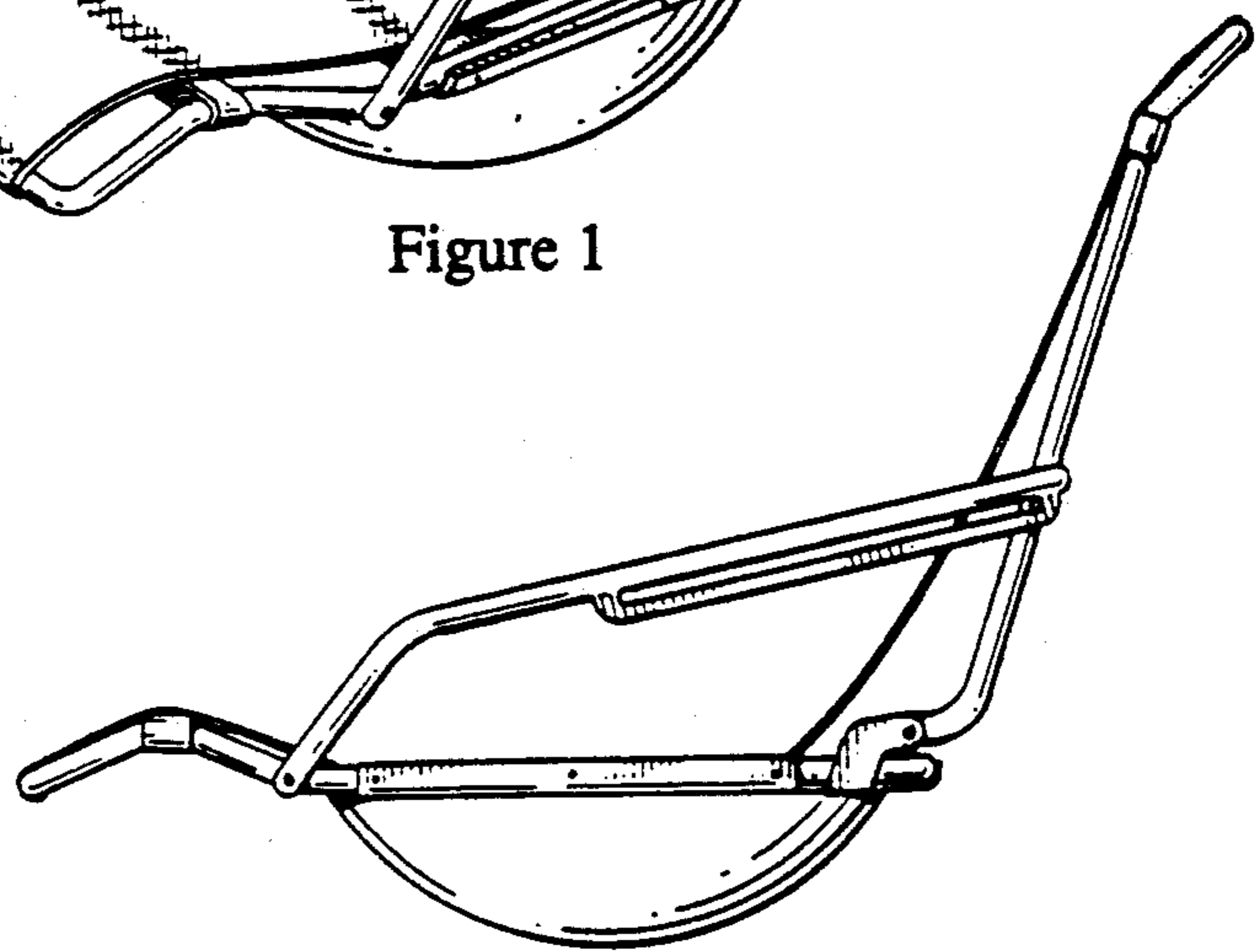


Figure 2

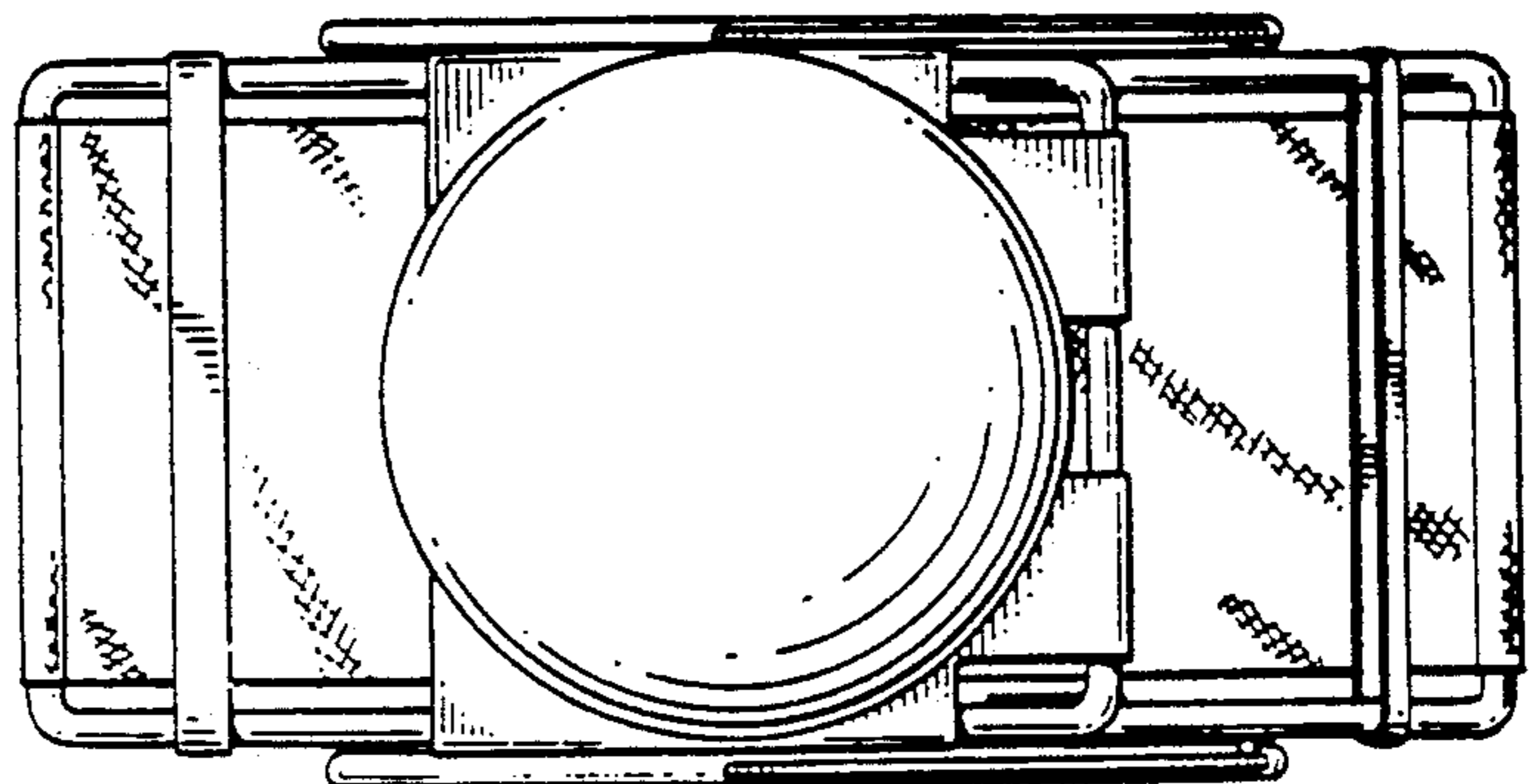


Figure 4