



US00D323433S

**United States Patent** [19]  
**Edwards**

[11] **Patent Number: Des. 323,433**

[45] **Date of Patent: \*\* Jan. 28, 1992**

[54] **CHAIR**

[75] **Inventor: Thomas M. Edwards, Wyoming, Mich.**

[73] **Assignee: Herman Miller, Inc., Zeeland, Mich.**

[\*\*] **Term: 14 Years**

[21] **Appl. No.: 262,665**

[22] **Filed: Oct. 25, 1988**

[52] **U.S. Cl. .... D6/366**

[58] **Field of Search ..... D6/334, 364, 365, 366, D6/379, 500**

[56] **References Cited**

**U.S. PATENT DOCUMENTS**

D. 182,427	4/1958	McCarthy et al. ....	D6/379
D. 296,394	6/1988	Chadwick et al. ....	D6/366
D. 296,624	7/1988	Bellini .....	D6/366
D. 305,284	1/1990	Piretti .....	D6/379 X
2,350,399	6/1944	Jones .	
2,979,122	4/1961	Knoll .	
3,722,950	3/1973	Harnick .	
3,947,068	3/1976	Buhk .	

**FOREIGN PATENT DOCUMENTS**

226 of 1856 United Kingdom .

**OTHER PUBLICATIONS**

*Drexel*, Wellington Park Brochure, 2/1969, Bar Stool, #582-709, mid page left.

*Interiors*, 8/1972, p. 107, Chair at top left.

*Schoner Wohnen*, 2/1985, Chair at top, second from right.

*Interiors*, 5/1986, p. 153, Herman Miller Chair shown.

*Primary Examiner*—Bruce W. Dunkins

*Assistant Examiner*—Gary D. Watson

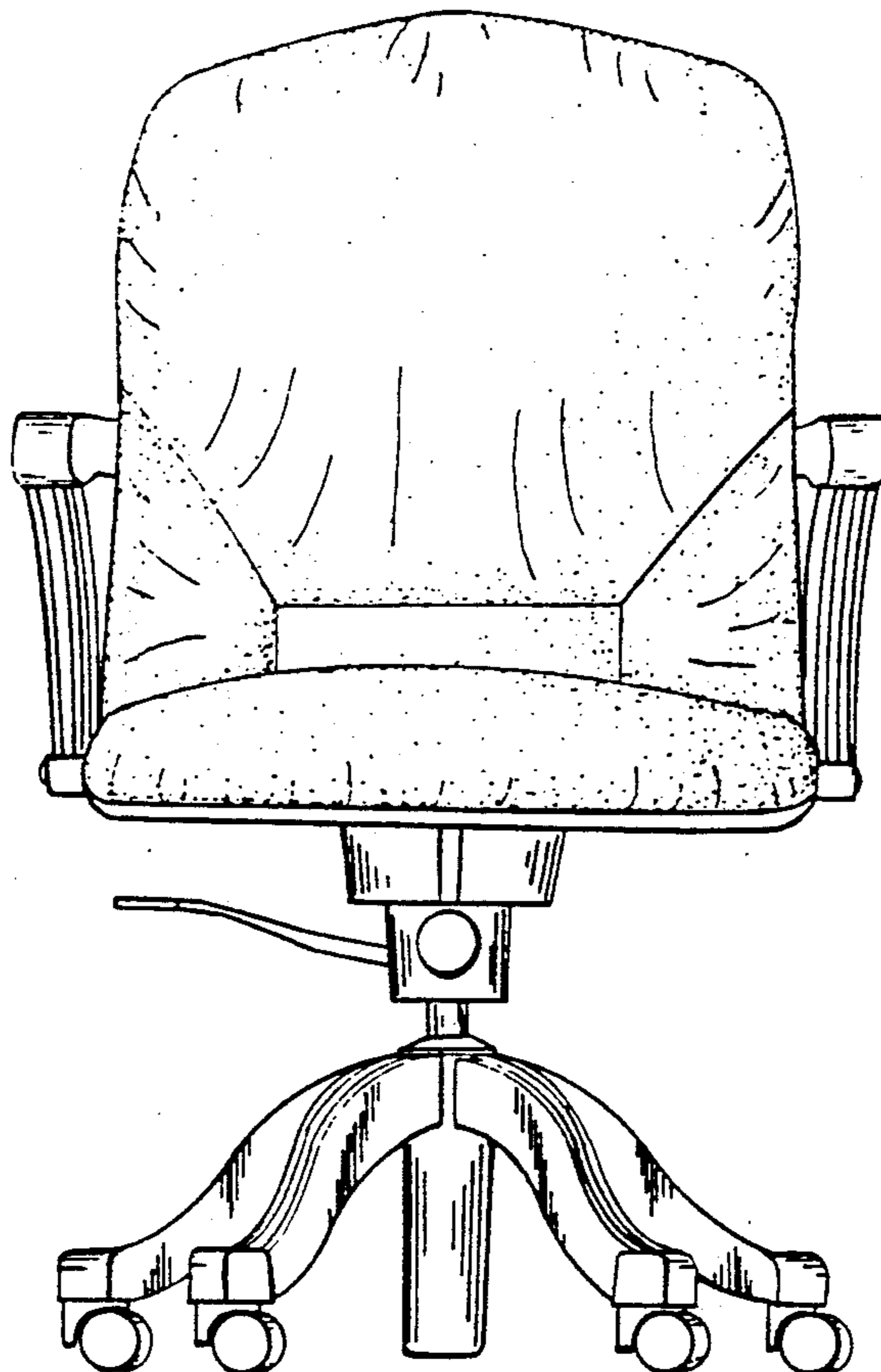
*Attorney, Agent, or Firm*—Varnum, Riddering, Schmidt & Howlett

[57] **CLAIM**

The ornamental design for a chair, as shown and described.

**DESCRIPTION**

FIG. 1 is a front elevational view of a chair showing my new design;  
FIG. 2 is a rear elevational view;  
FIG. 3 is a left side elevational view;  
FIG. 4 is a right side elevational view;  
FIG. 5 is a top plan view; and  
FIG. 6 is a bottom plan view thereof.



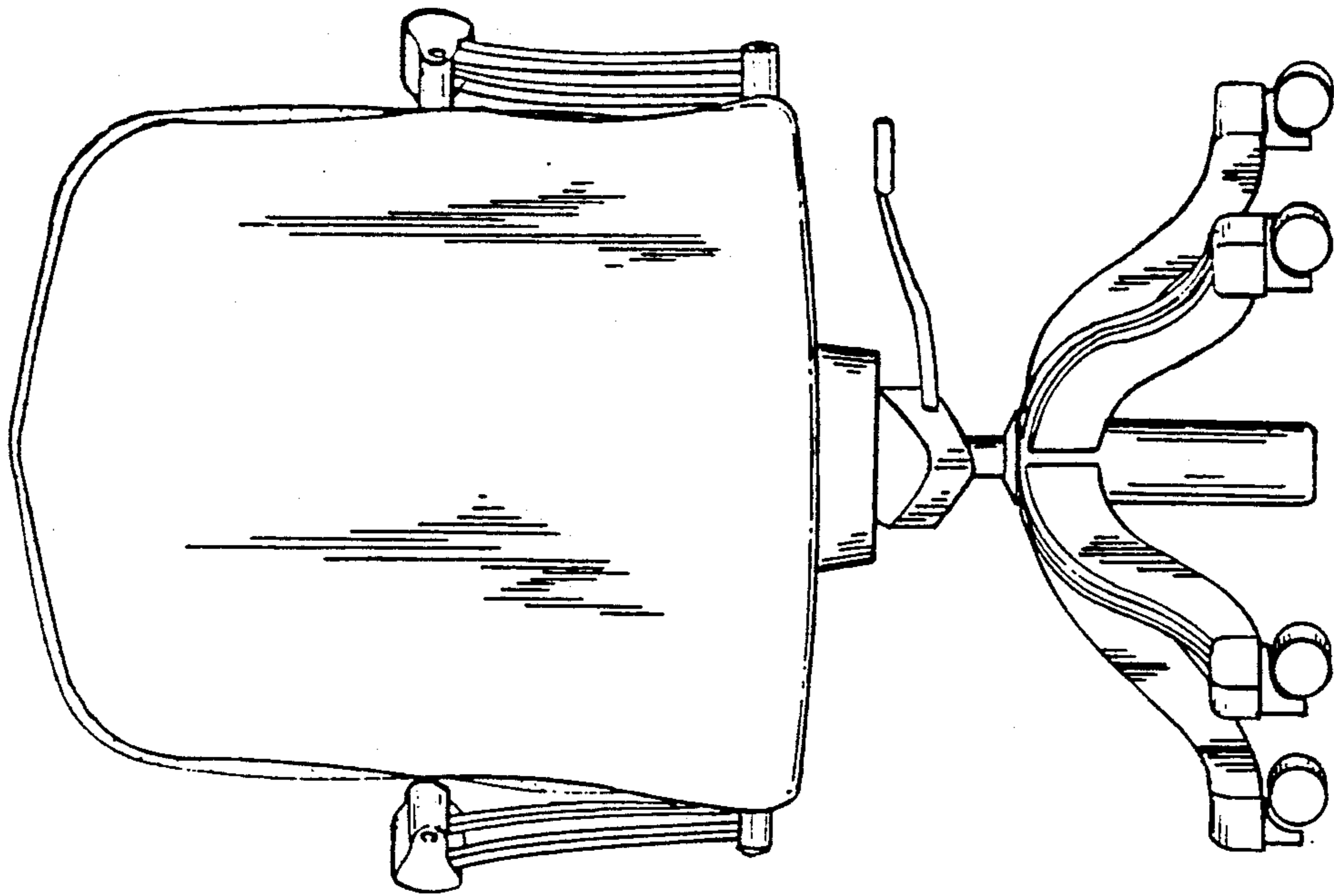


FIG. 1

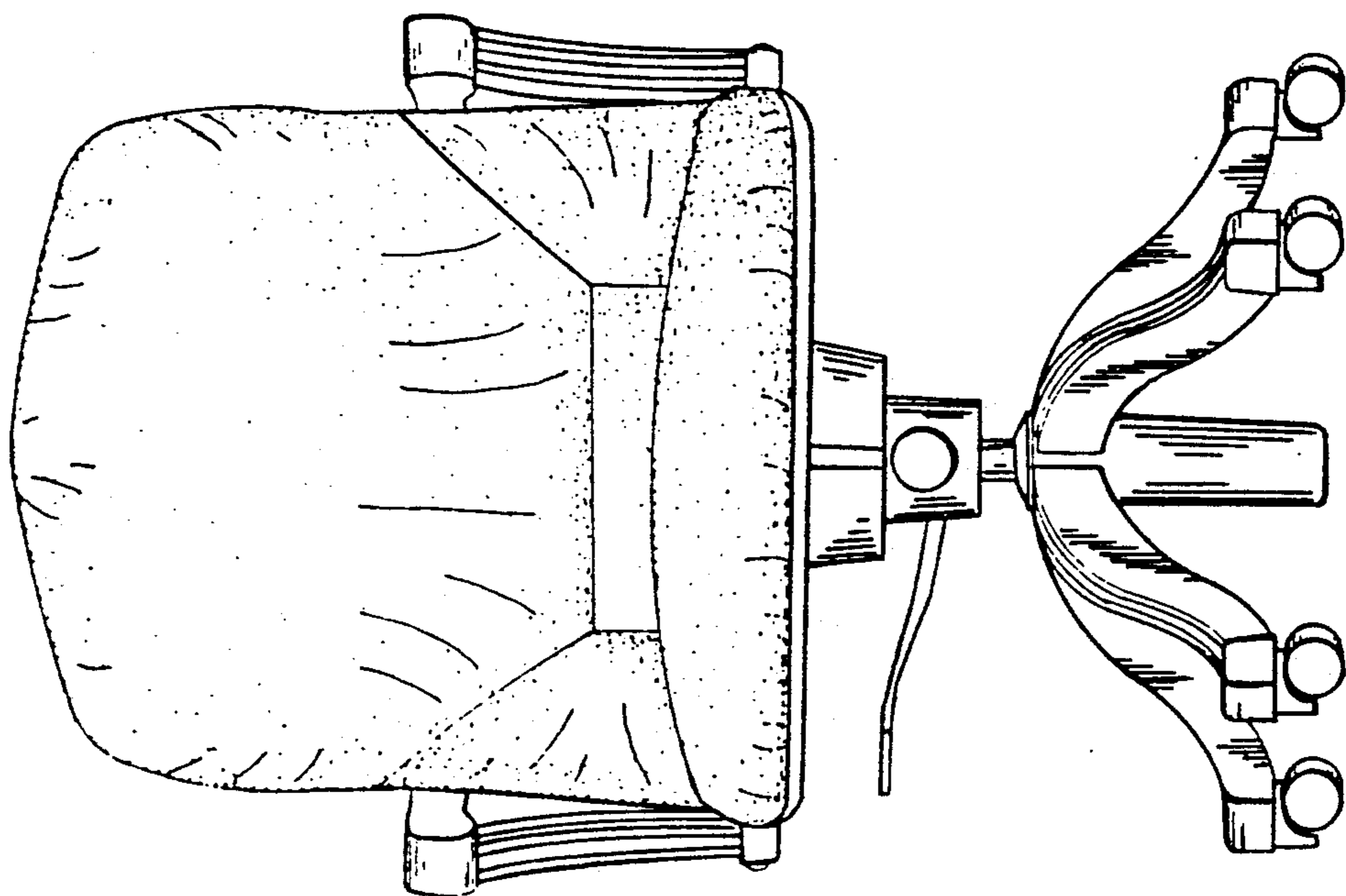


FIG. 2

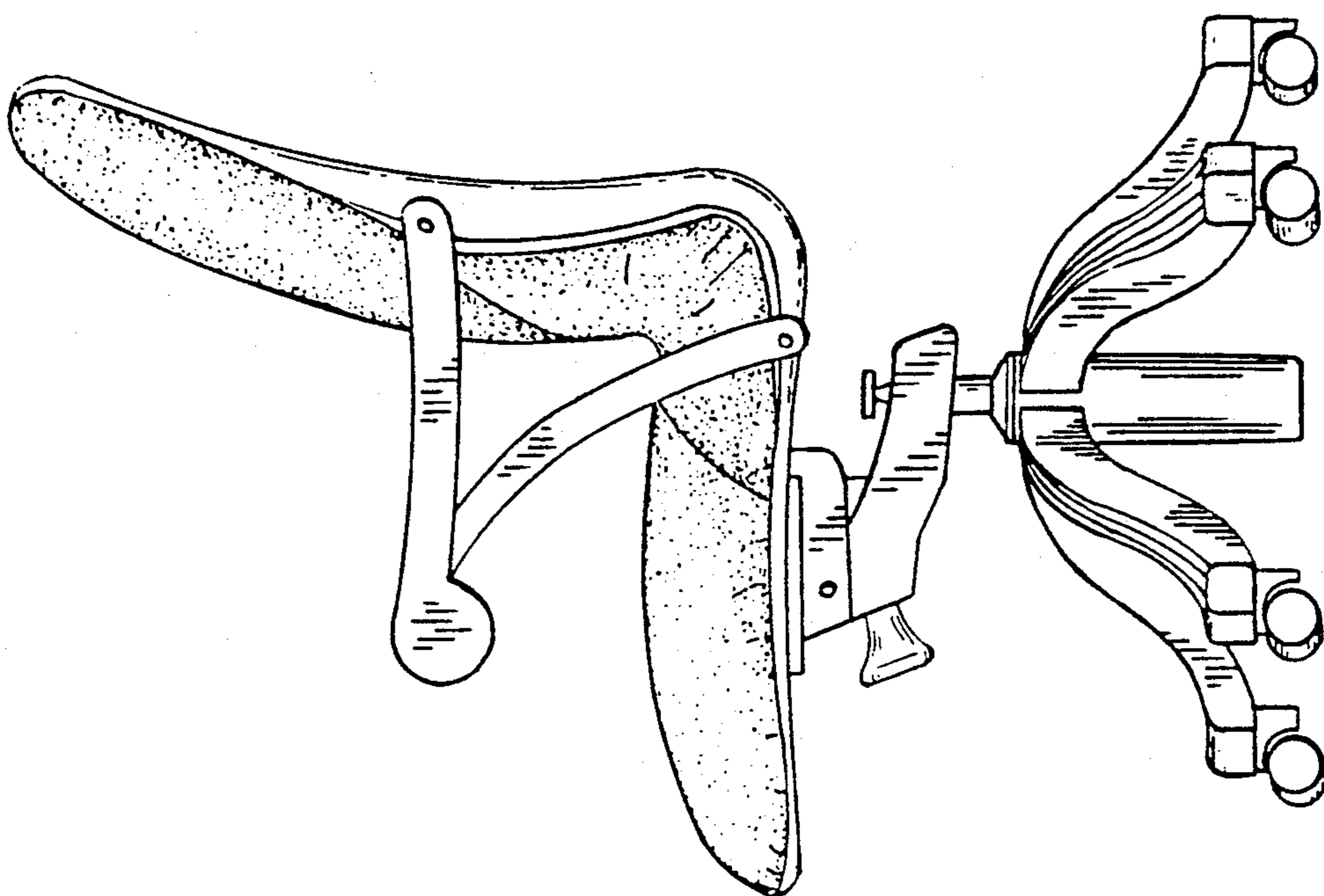


FIG. 4

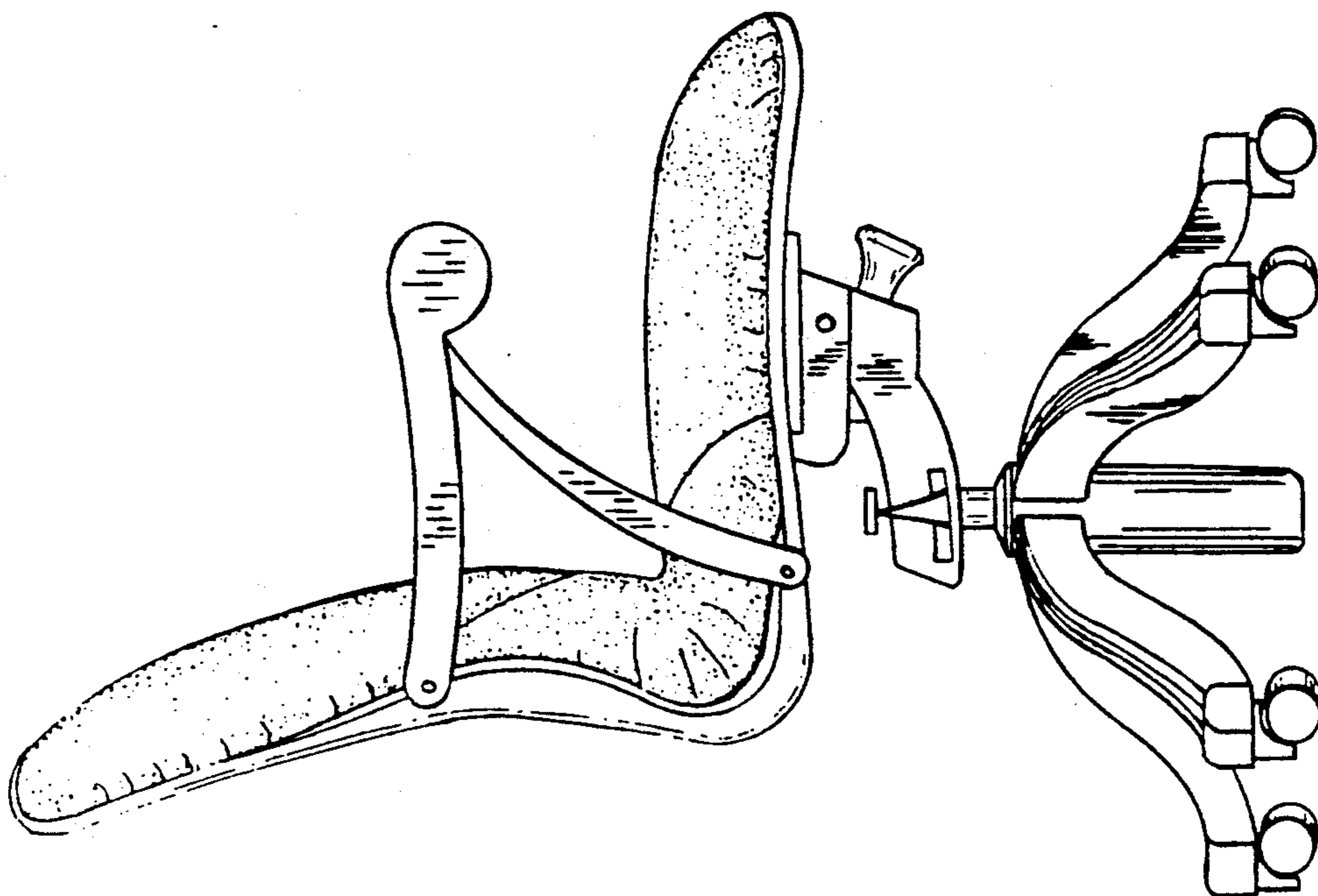


FIG. 3

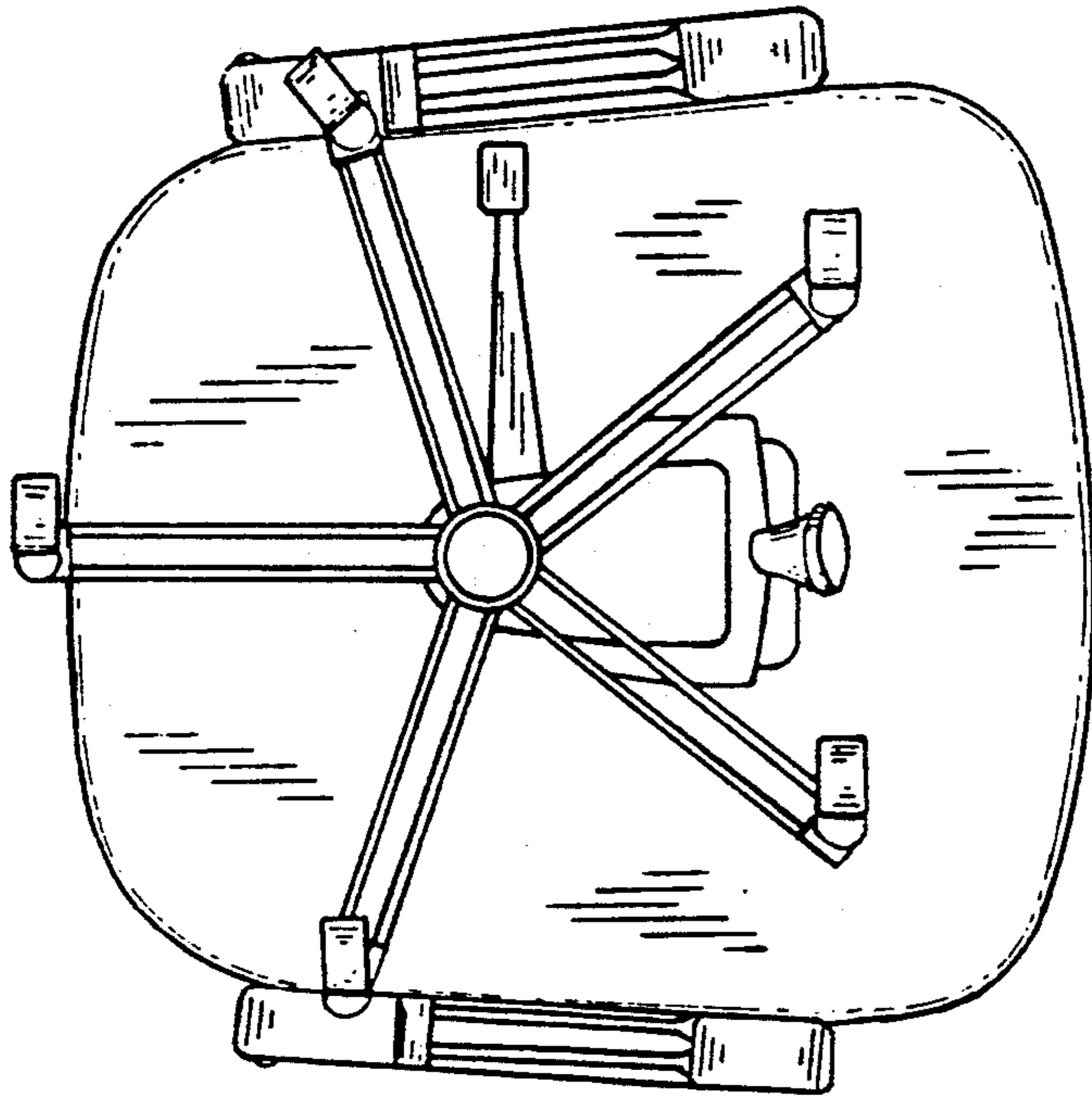


FIG. 5

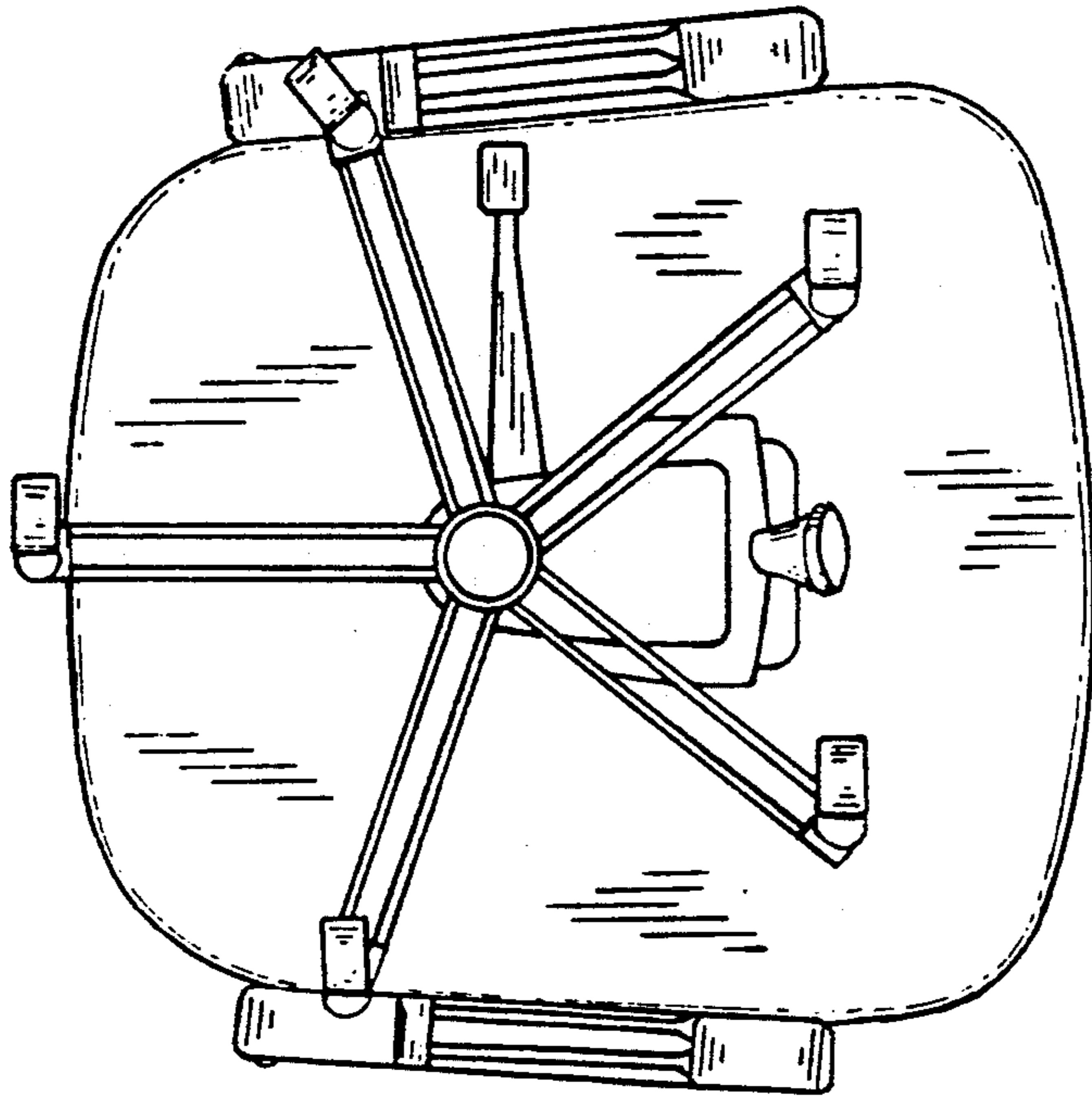


FIG. 6