



US00D323424S

United States Patent [19]

[11] Patent Number: **Des. 323,424**

Beiler et al.

[45] Date of Patent: **** Jan. 28, 1992**

[54] EGG STEAMER

[75] Inventors: **Bruno Beiler, Teaneck, N.J.; Paul E. Brefka, Southboro, Mass.**

[73] Assignee: **Creative Technologies, Corp., Brooklyn, N.Y.**

[**] Term: **14 Years**

[21] Appl. No.: **465,887**

[22] Filed: **Jan. 12, 1990**

[52] U.S. Cl. **D7/357**

[58] Field of Search **D7/323, 347, 357; 99/336, 341, 403, 410, 415, 440; D9/341**

[56] References Cited

U.S. PATENT DOCUMENTS

D. 71,145	9/1926	Hobson et al.	D7/357
D. 222,828	1/1972	Giraudet et al.	D9/341
D. 255,400	6/1980	McCroskery	D9/341 X
D. 291,533	8/1987	Mangla	D9/341 X
3,441,196	4/1969	Burkett	D9/341 X

OTHER PUBLICATIONS

Schöner Wohnen; Jan. 1984; p. 82; Egg Cooker upper right corner.

Primary Examiner—Nelson C. Holtje
Assistant Examiner—Caron D. Veynar
Attorney, Agent, or Firm—Helfgott & Karas

[57] CLAIM

The ornamental design for an egg steamer, as shown.

DESCRIPTION

FIG. 1 is a left, front and top perspective view of an egg steamer showing our new design, the broken line showing of eggs is environmental only and forms no part of the claimed design;

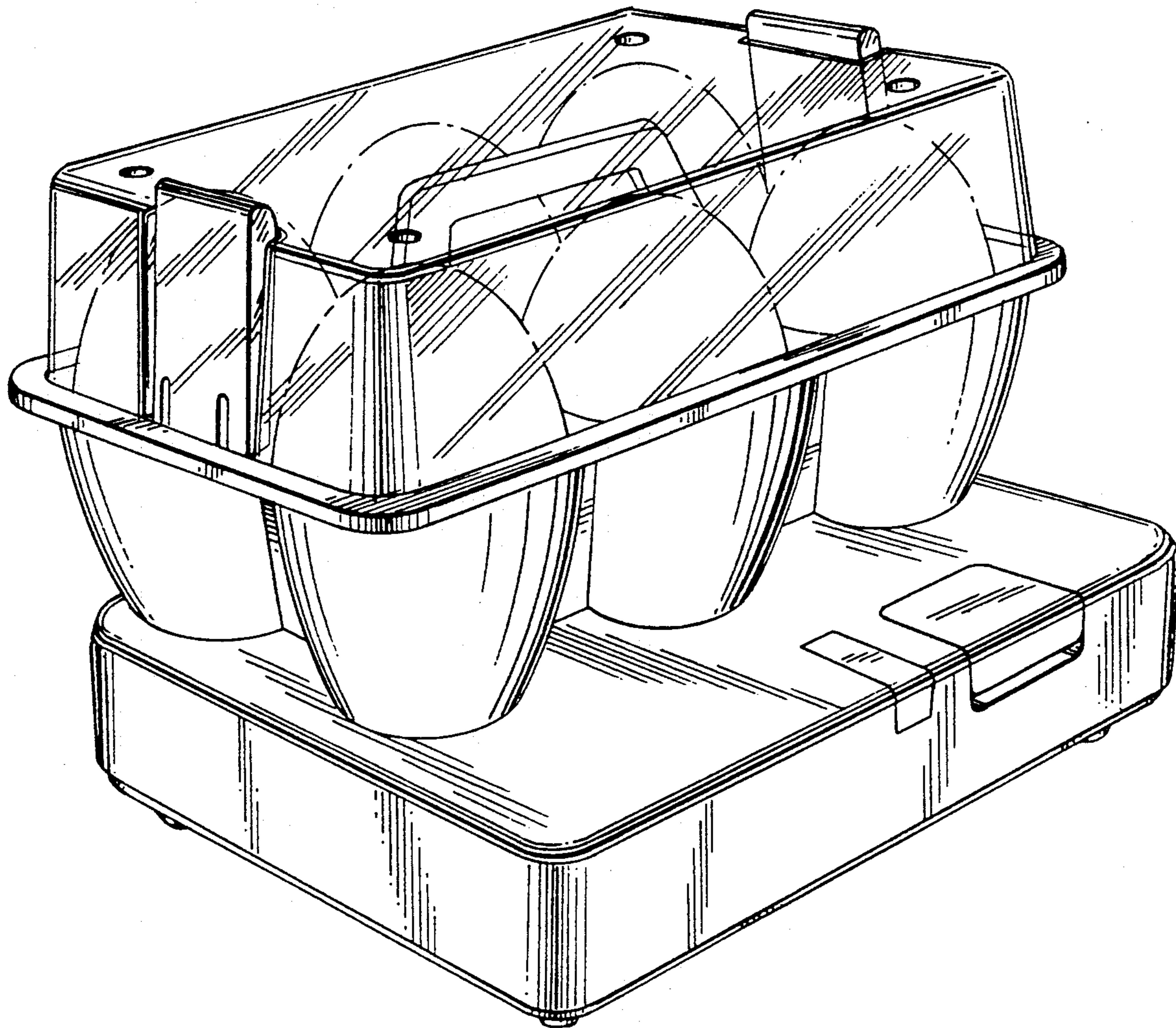
FIG. 2 is a top plan view thereof;

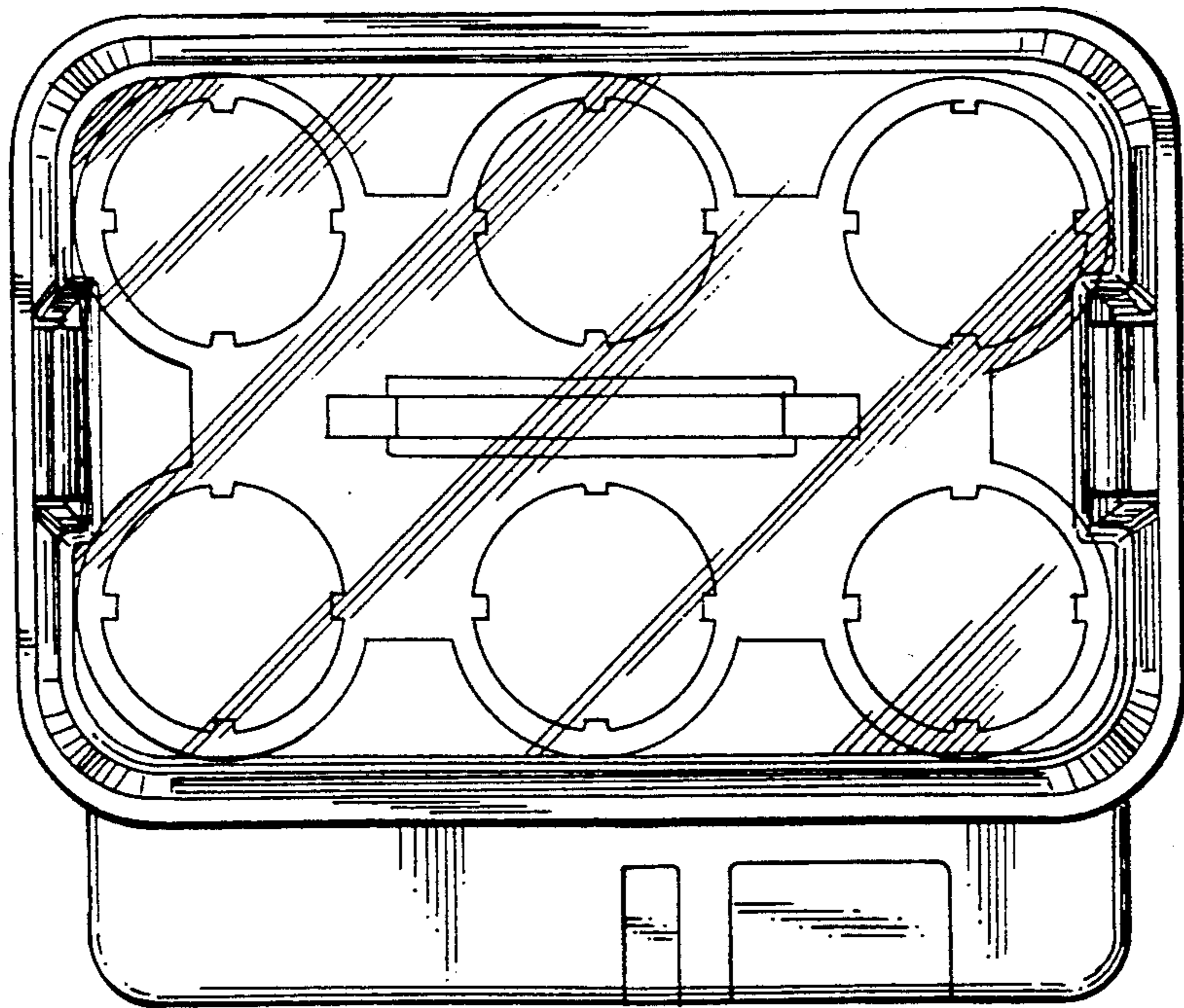
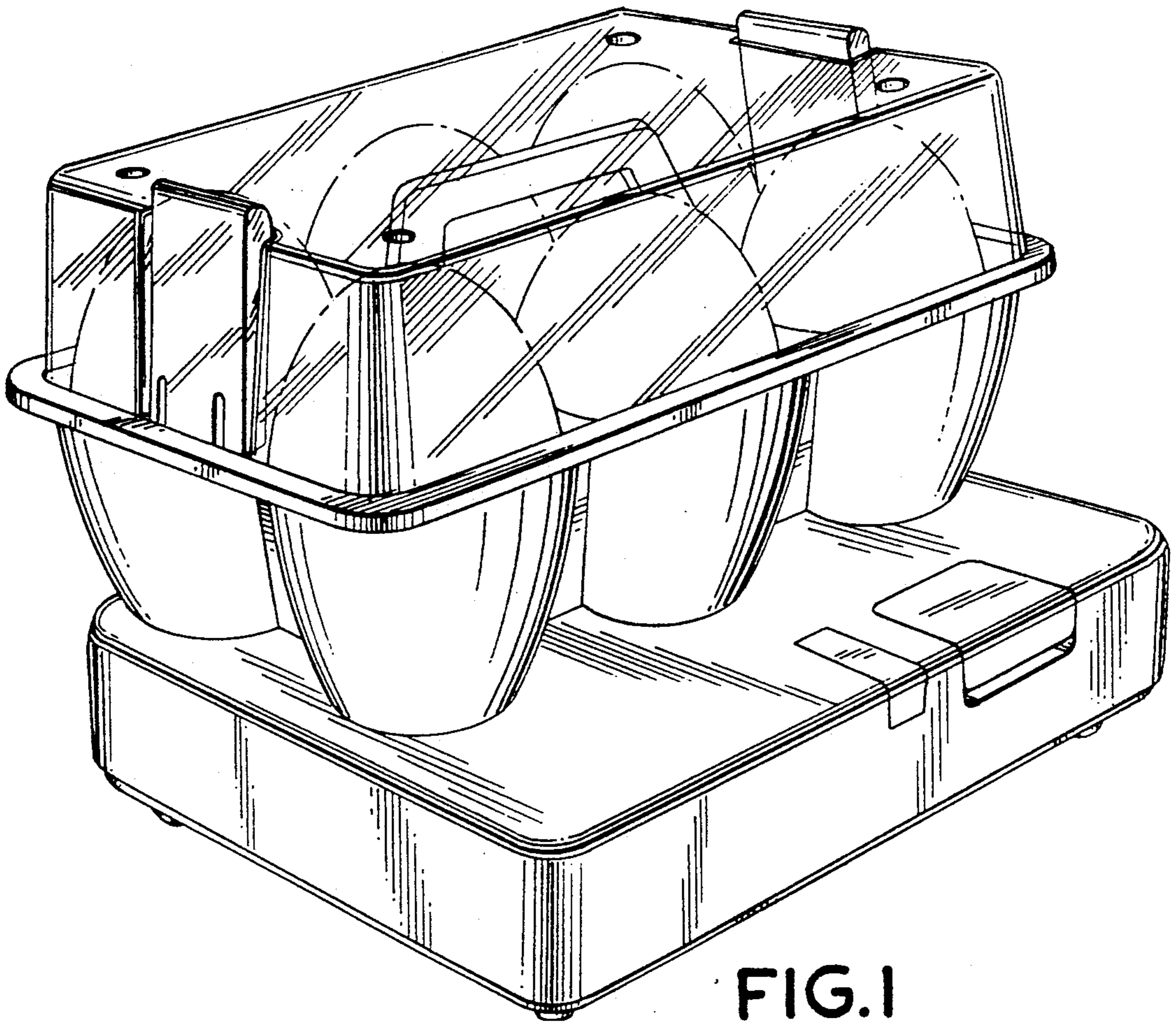
FIG. 3 is a front elevational view thereof;

FIG. 4 is a right side elevational view thereof, the left side elevational view being a mirror image thereof;

FIG. 5 is a rear elevational view thereof; and

FIG. 6 is a bottom plan view thereof.





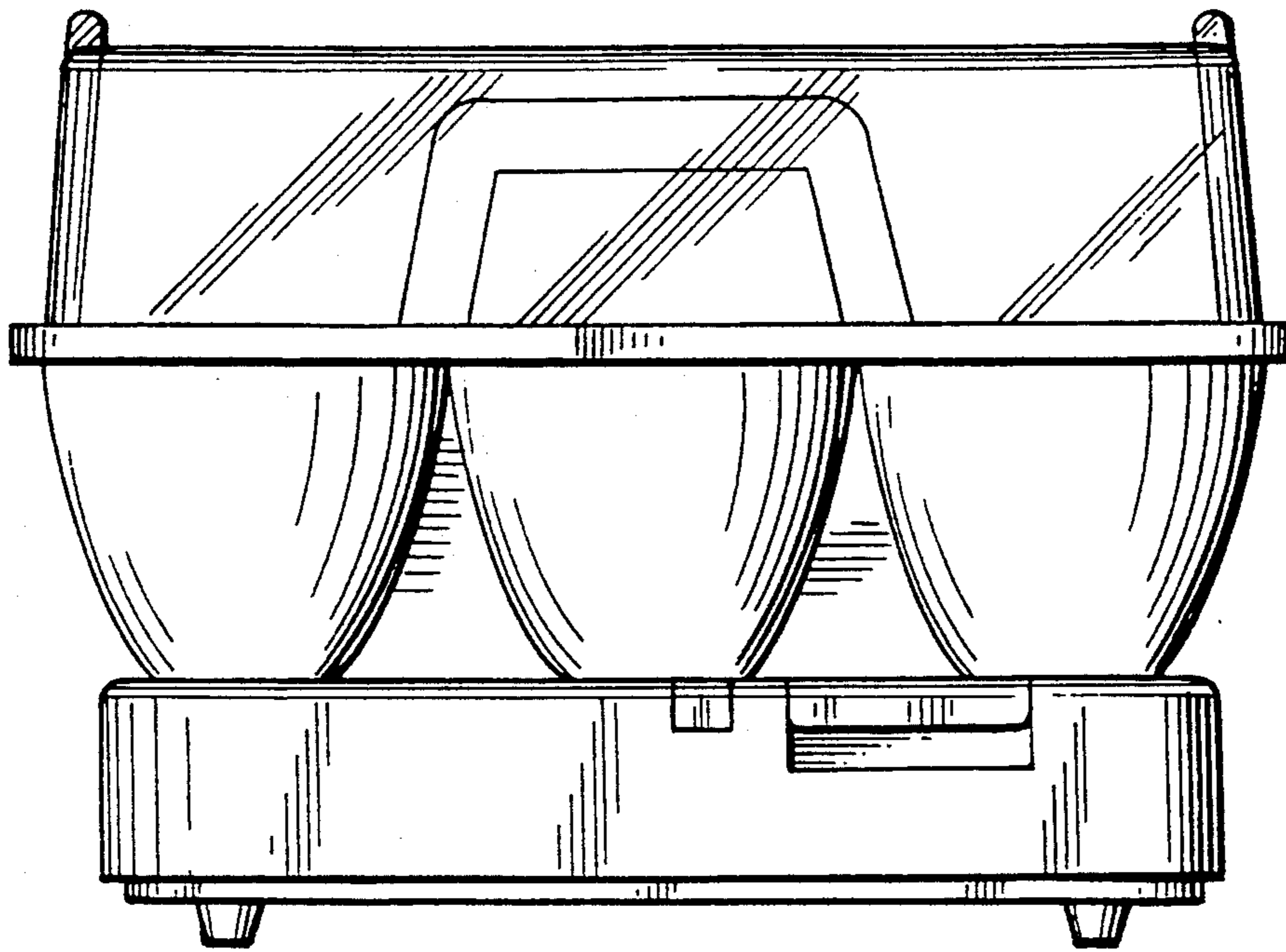


FIG. 3

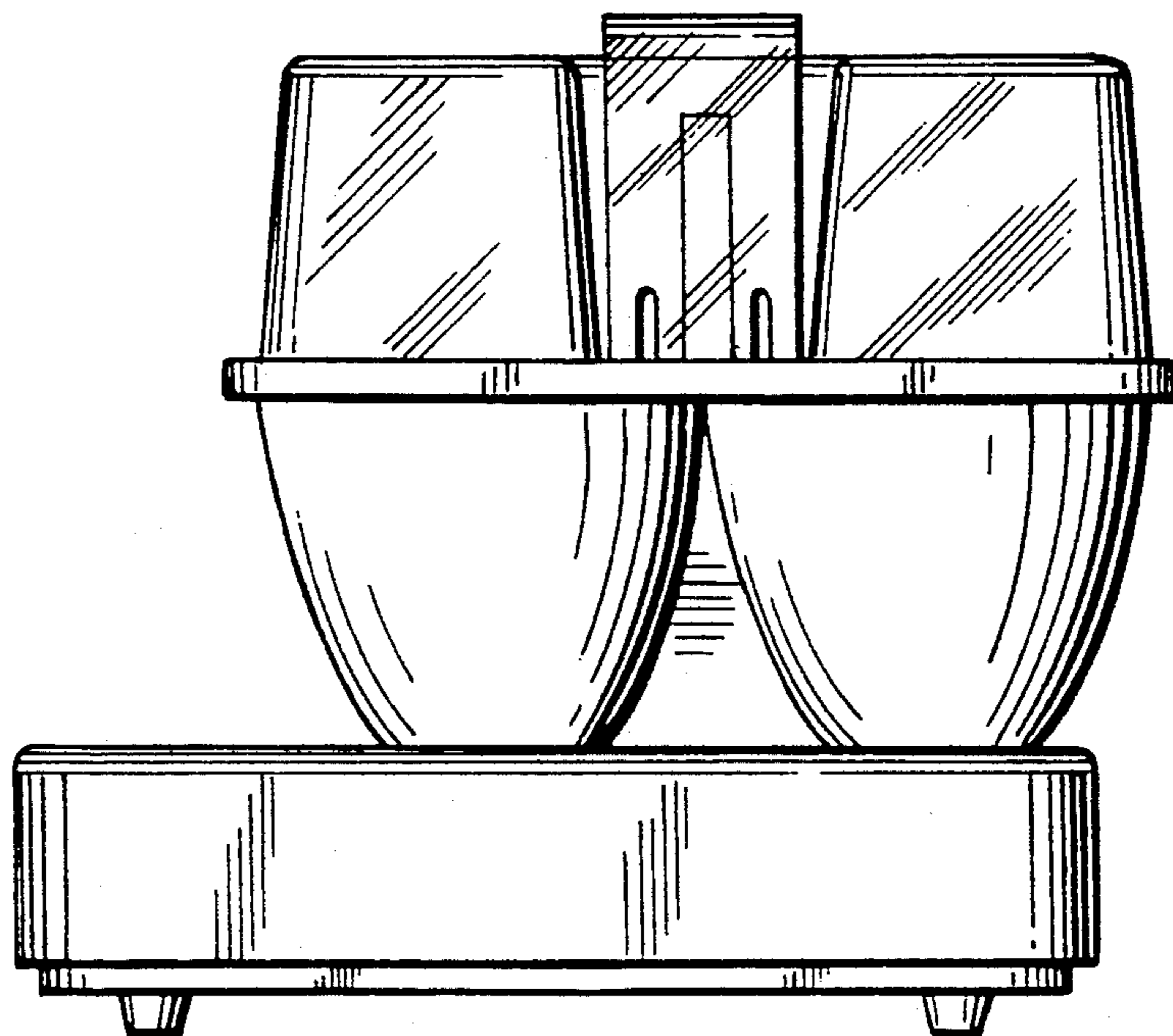


FIG. 4

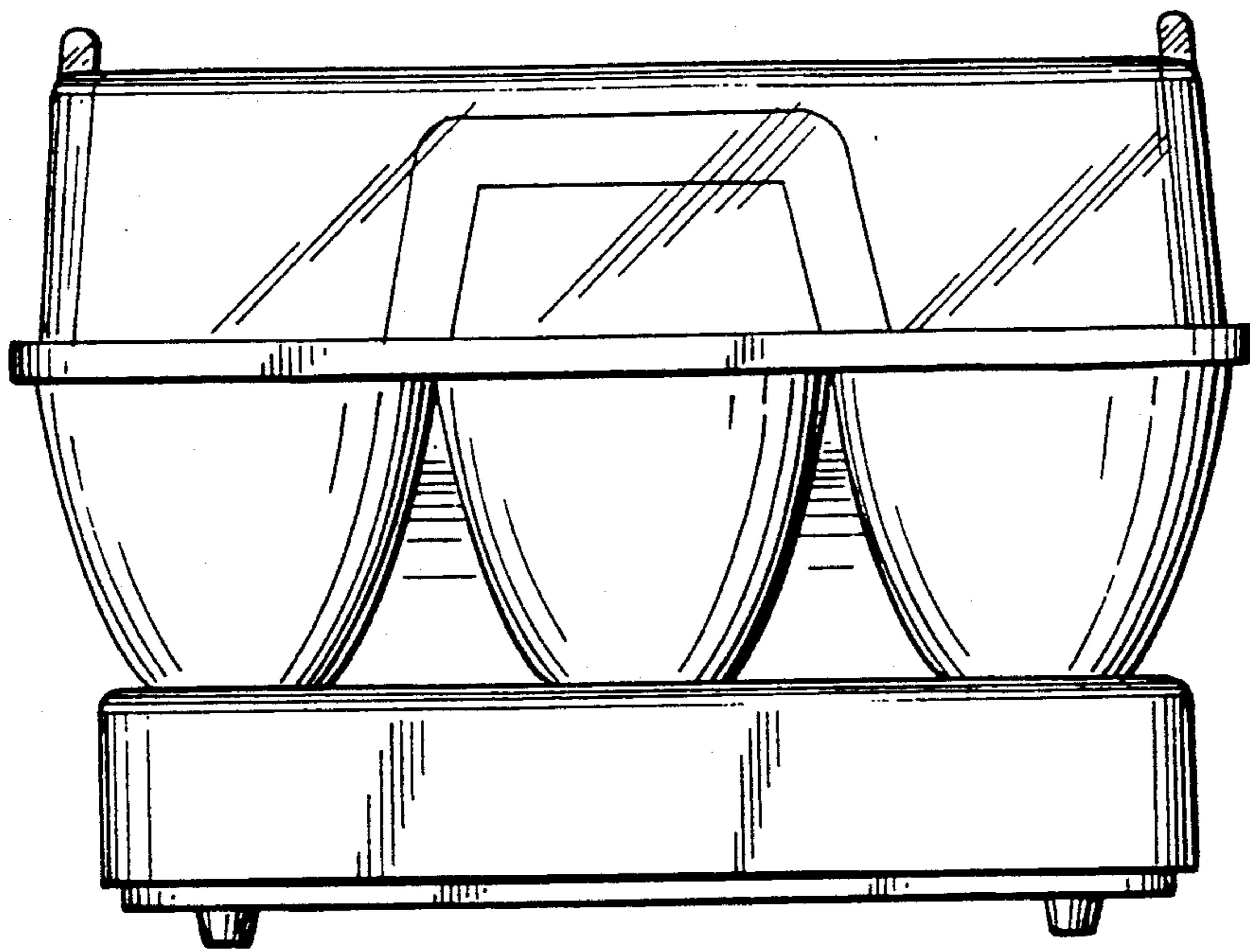


FIG. 5

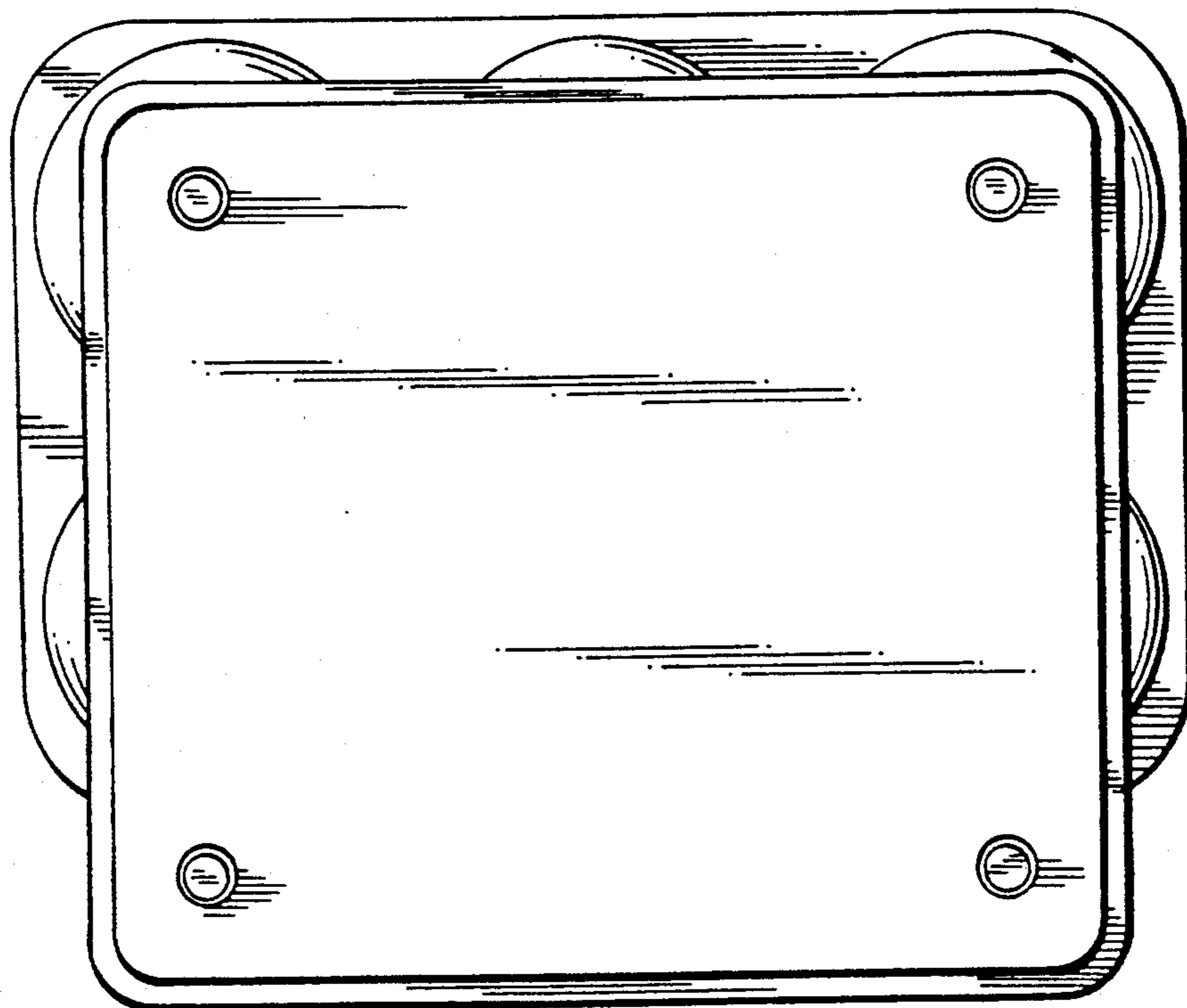


FIG. 6