



US00D323407S

United States Patent [19]
Pagani

[11] **Patent Number: Des. 323,407**
[45] **Date of Patent: ** Jan. 21, 1992**

[54] **WALL LAMP**

[75] **Inventor: Luciano Pagani, Milan, Italy**

[73] **Assignee: Flos S.p.A., Brescia, Italy**

[**] **Term: 14 Years**

[21] **Appl. No.: 238,875**

[22] **Filed: Aug. 30, 1988**

[30] **Foreign Application Priority Data**

Mar. 1, 1988 [IT] Italy 6943/88[U]

[52] **U.S. Cl. D26/87; D26/63**

[58] **Field of Search D26/60-65,
D26/72, 81-92; 362/432, 404, 467, 275, 287,
418, 419, 427, 147**

[56] **References Cited**

U.S. PATENT DOCUMENTS

D. 184,825 4/1959 Mehr D26/107 X
D. 307,060 4/1990 Fraser D26/88

OTHER PUBLICATIONS

DiBianco Lighting Catalog, rear cover, wall lamp.

Primary Examiner—Susan J. Lucas

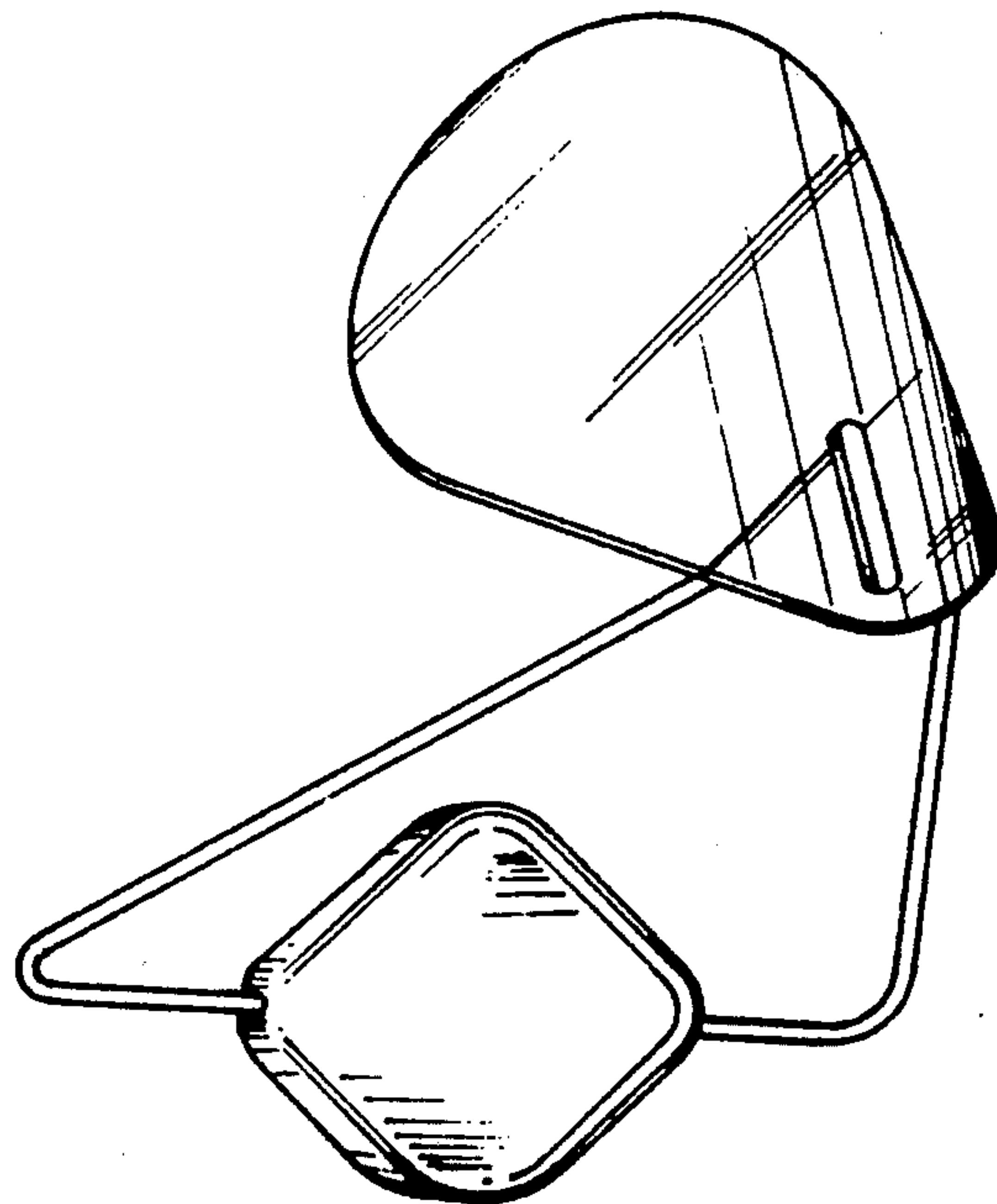
Attorney, Agent, or Firm—McGlew & Tuttle

[57] **CLAIM**

The ornamental design for a wall lamp, as shown and described.

DESCRIPTION

FIG. 1 is a front perspective view of a wall lamp showing my new drawing;
FIG. 2 is a front elevation view thereof;
FIG. 3 is a side elevation view thereof; the opposite side being a mirror image;
FIG. 4 is a plan view thereof from above;
FIG. 5 is a plan view thereof from below; and
FIG. 6 is a rear elevation view thereof.
The front panel is shaded with oblique lines to indicated translucency.



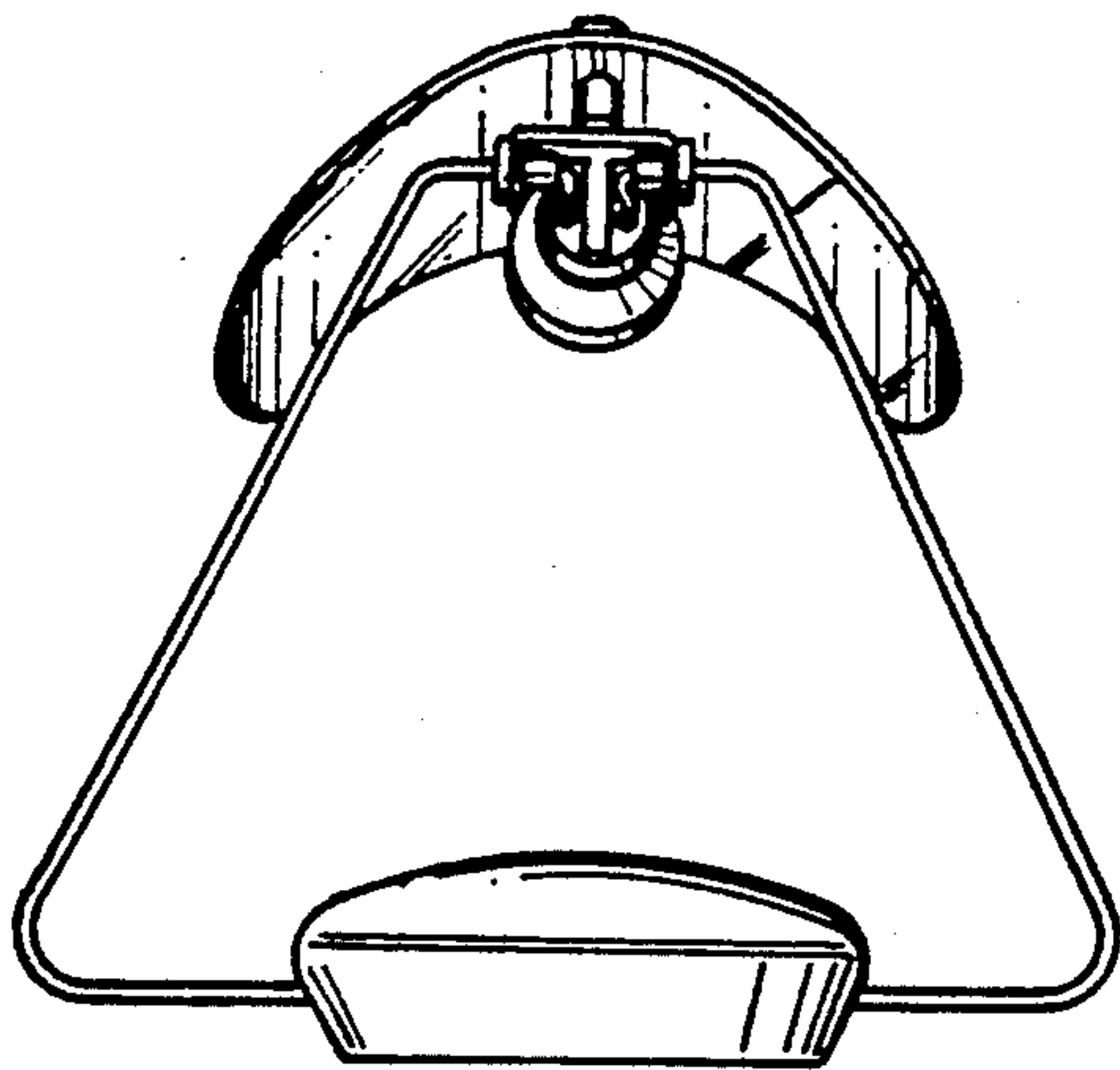


Fig. 5

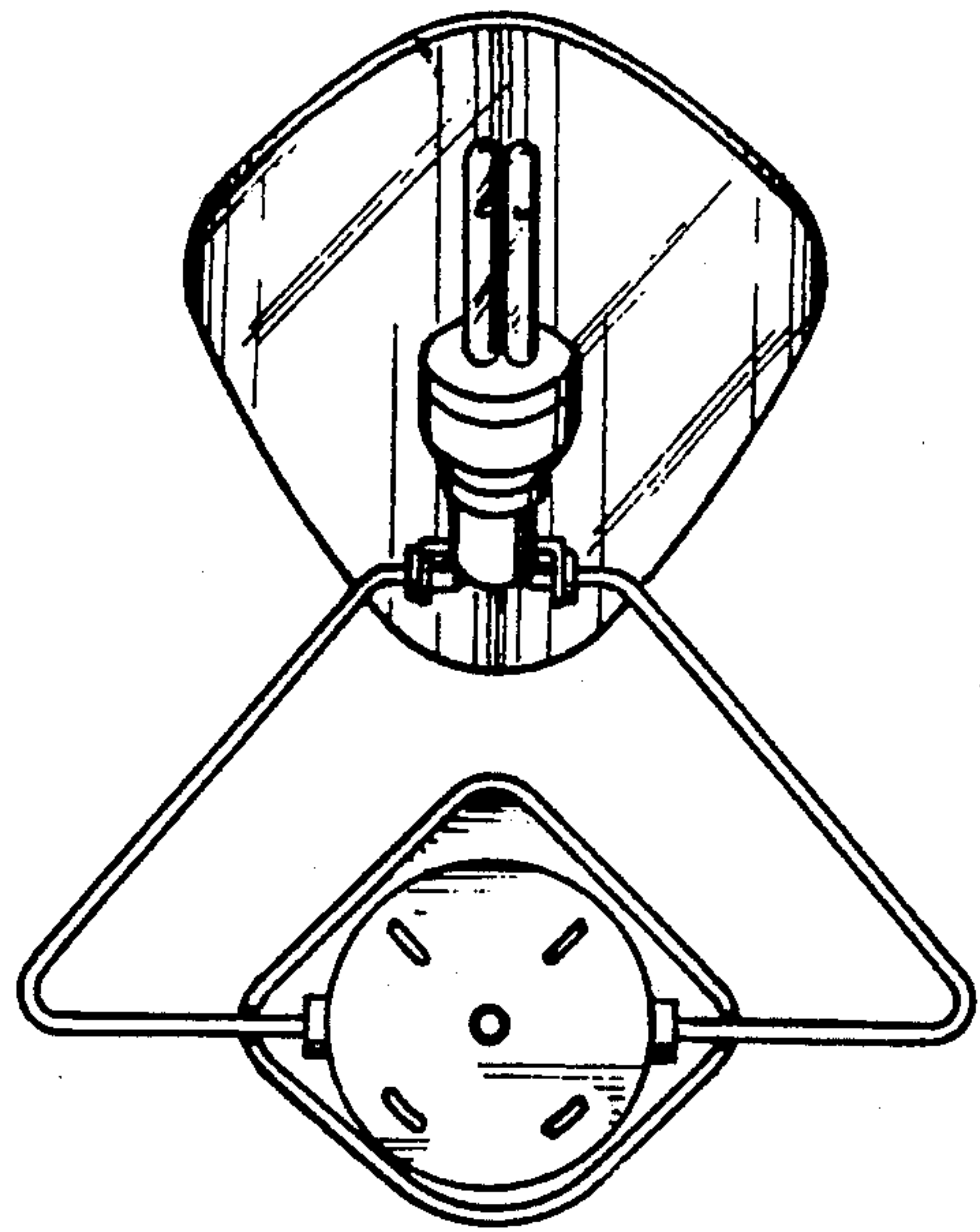


Fig. 6

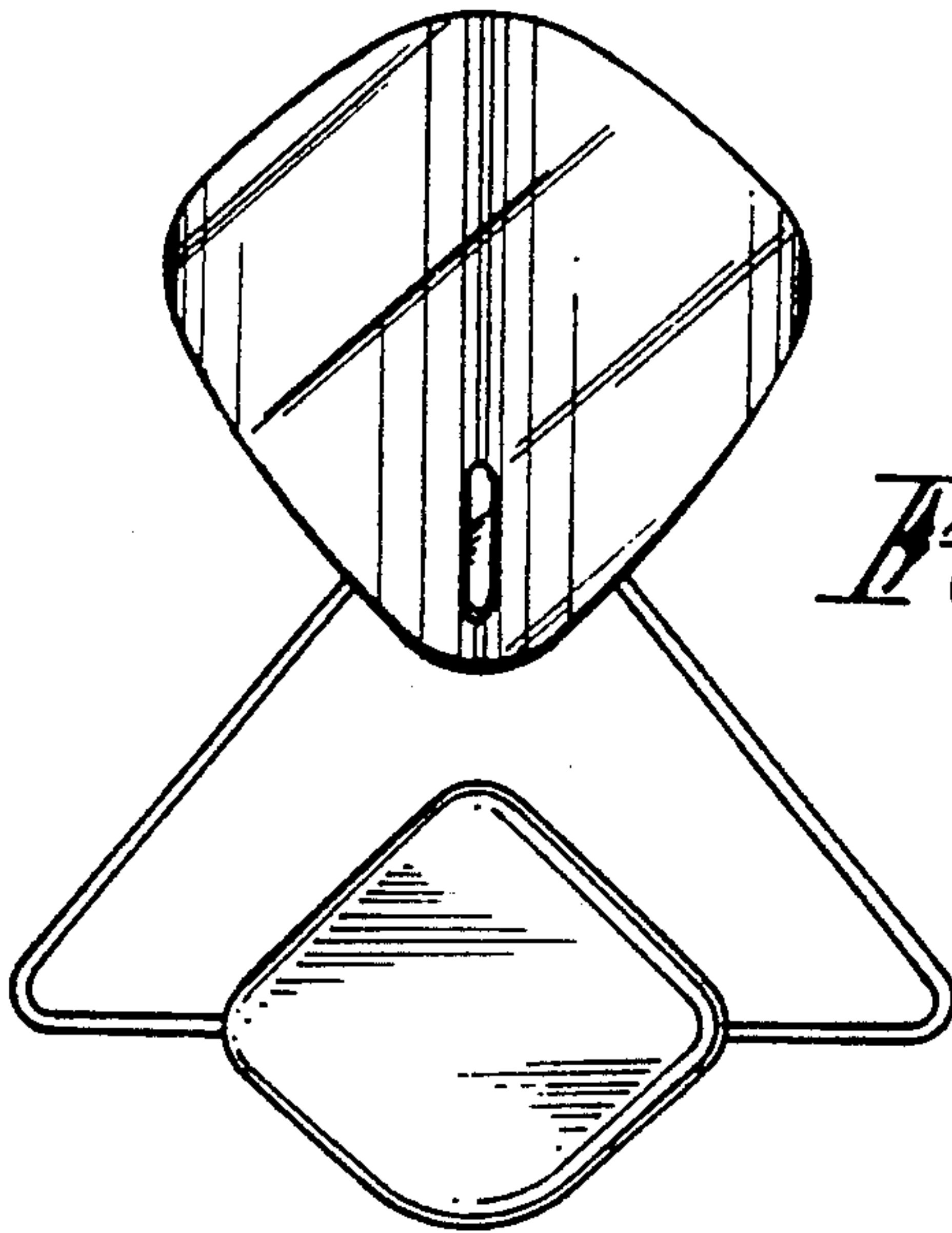


Fig. 2

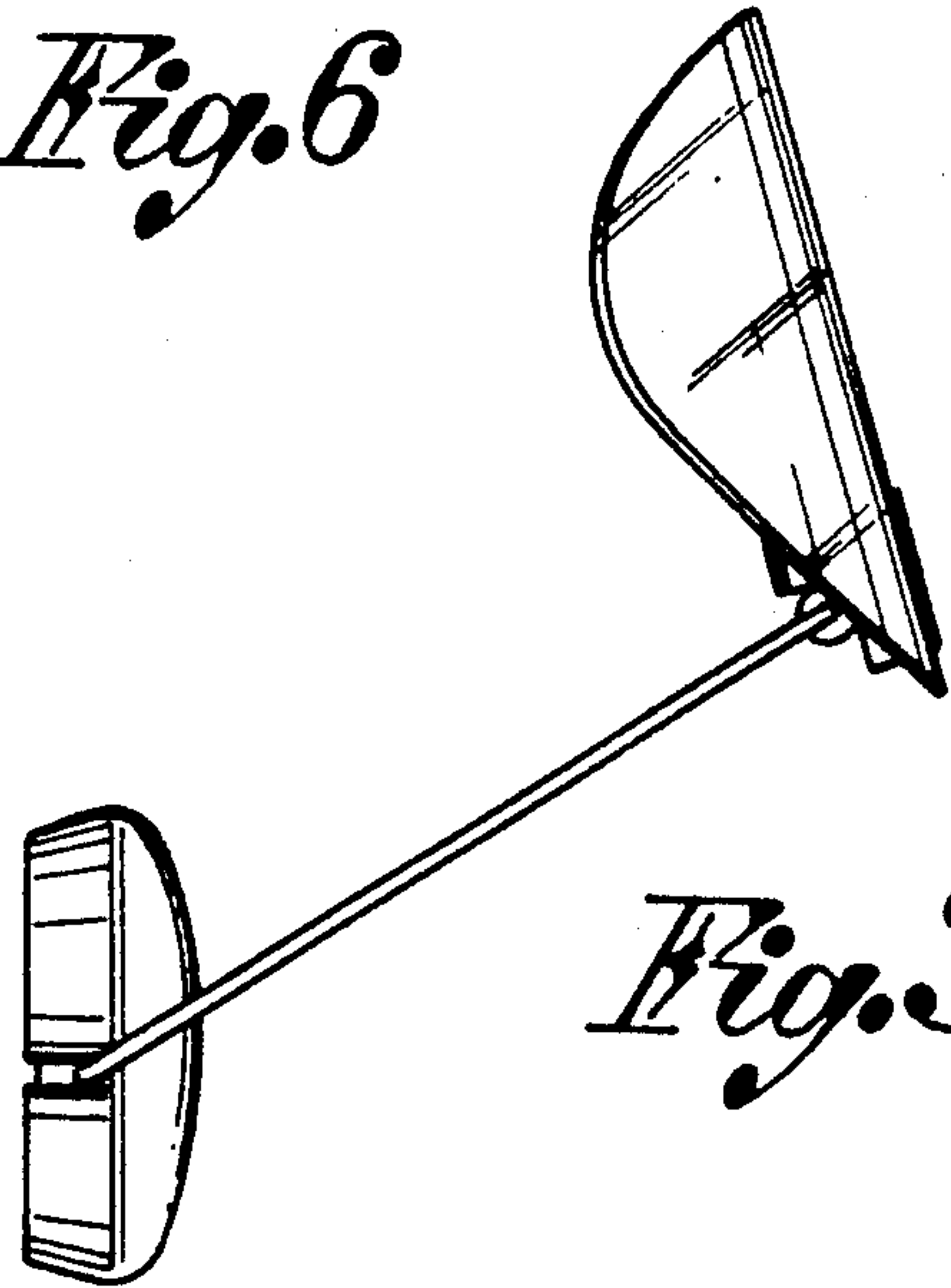


Fig. 3

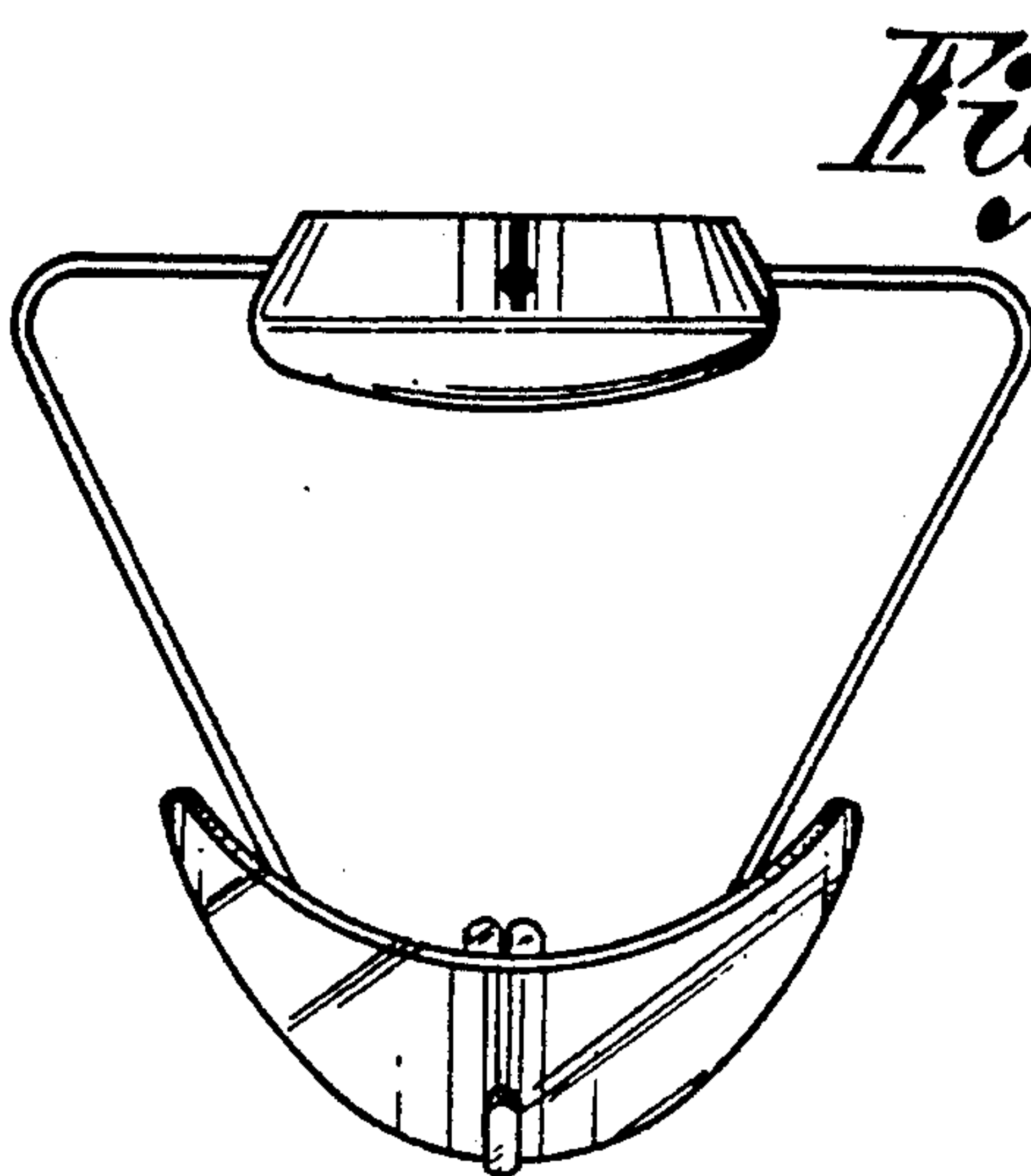


Fig. 4

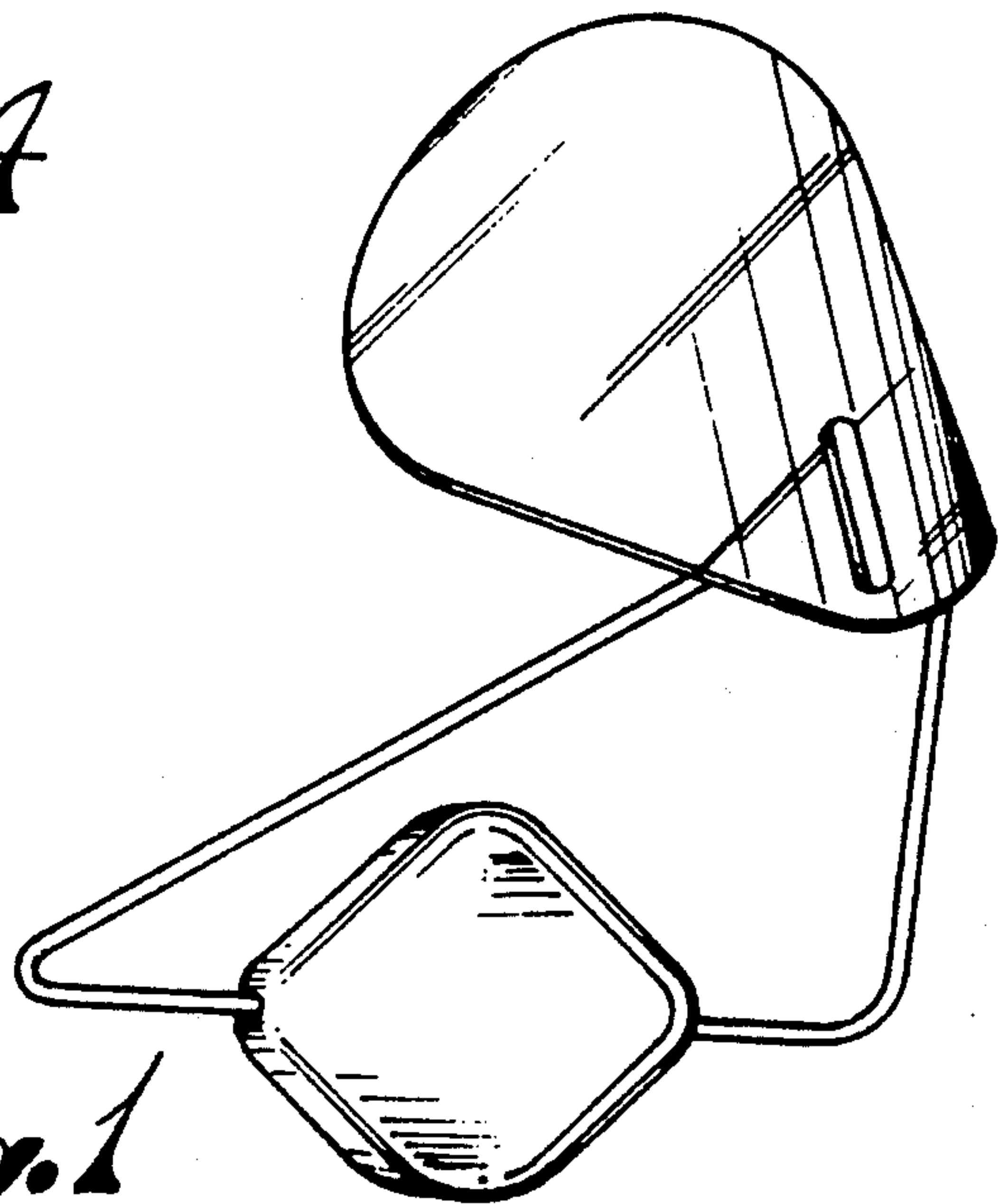


Fig. 1