



US00D323400S

United States Patent [19]

[11] Patent Number: **Des. 323,400**

Frenkel et al.

[45] Date of Patent: **** Jan. 21, 1992**

[54] **PIPETTE TIP HOLDER OR SIMILAR ARTICLE**

[75] Inventors: **Dina Frenkel, Plano, Tex.; Fareed Kureshy, Westwood, Mass.; William J. Lawrence, Garland, Tex.**

[73] Assignee: **PB Diagnostic Systems, Inc., Westwood, Mass.**

[**] Term: **14 Years**

[21] Appl. No.: **384,457**

[22] Filed: **Jul. 24, 1989**

[52] U.S. Cl. **D24/230**

[58] Field of Search **D24/230, 229, 226, 224, D24/222; 206/443, 45.34, 45.19; 422/101, 104, 65; 211/70.1, 72, 71, 69; 73/863.32, 864.21, 864.23, 864.01; 435/287, 293**

[56] **References Cited**

U.S. PATENT DOCUMENTS

D. 221,544 8/1971 McGlory D24/230

D. 265,126	6/1982	Beall	D24/230
D. 271,239	11/1983	Lemieux et al.	D24/230
2,979,210	4/1961	Patterson	D24/229 X
3,494,201	2/1970	Roach	D24/222 X
4,751,184	6/1988	Higo et al.	435/287
4,803,050	2/1989	Mack	422/65
4,824,641	4/1989	Williams	422/100

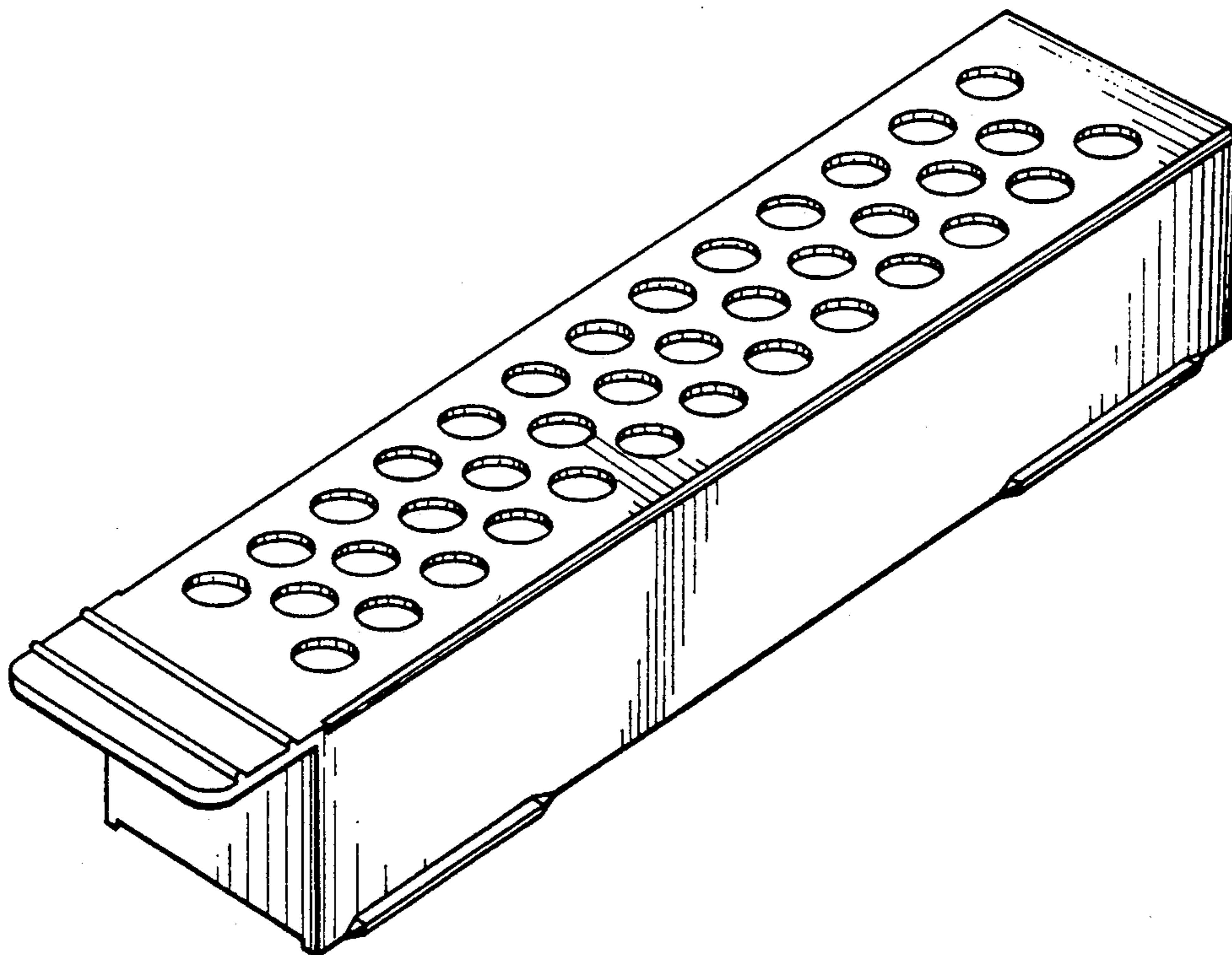
Primary Examiner—Stella Reid
Attorney, Agent, or Firm—Gaetano D. Maccarone

[57] **CLAIM**

The ornamental design for a pipette tip holder or similar article, as shown and described.

DESCRIPTION

FIG. 1 is a right front perspective view of a pipette tip holder or similar article showing our new design; FIG. 2 is a right side elevational view thereof; FIG. 3 is a left side elevational view thereof; FIG. 4 is a front elevational view thereof; FIG. 5 is a rear elevational view thereof; FIG. 6 is a top elevational view thereof; and FIG. 7 is a bottom elevational view thereof.



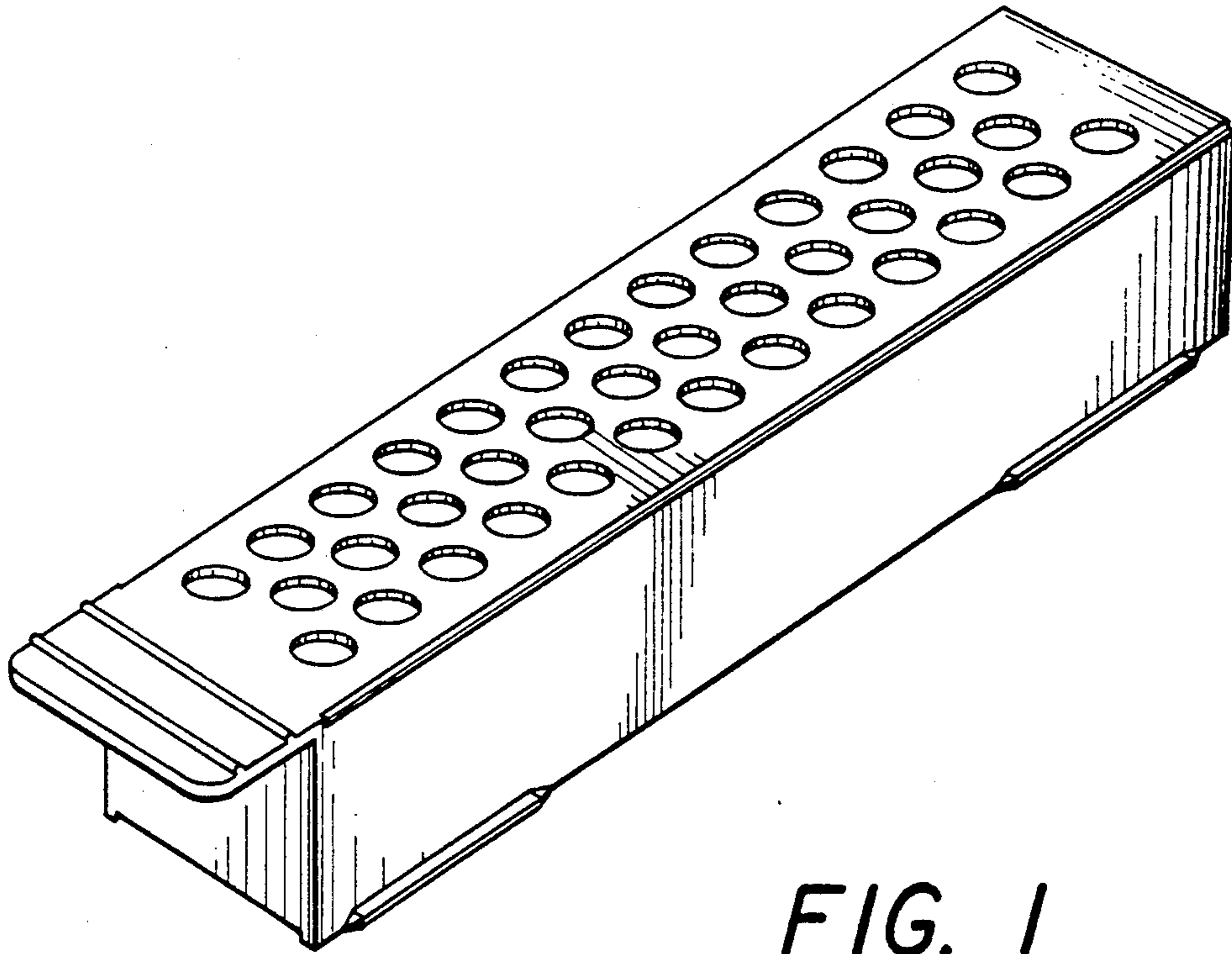


FIG. 1

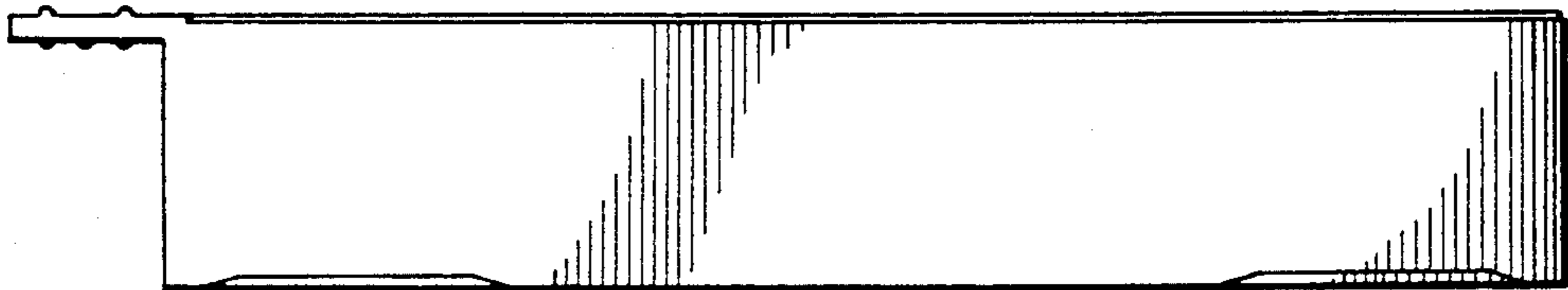


FIG. 2

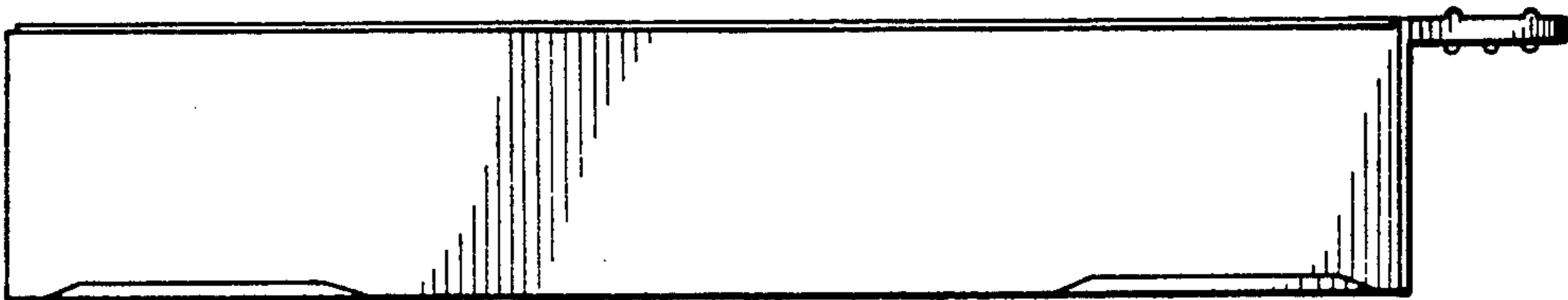


FIG. 3

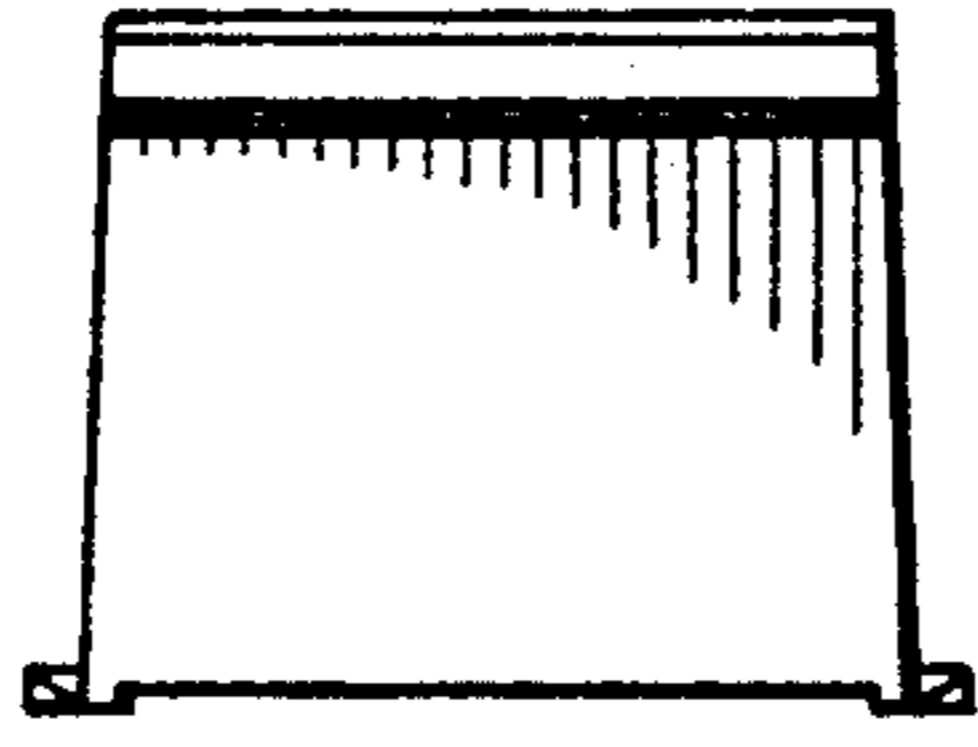


FIG. 4

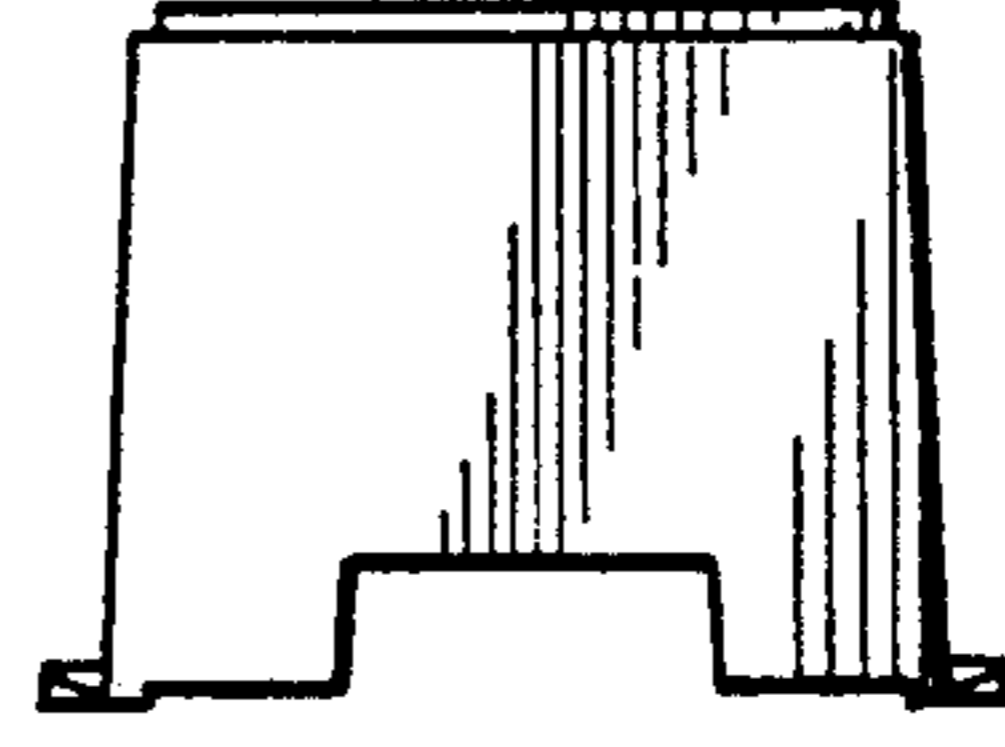


FIG. 5

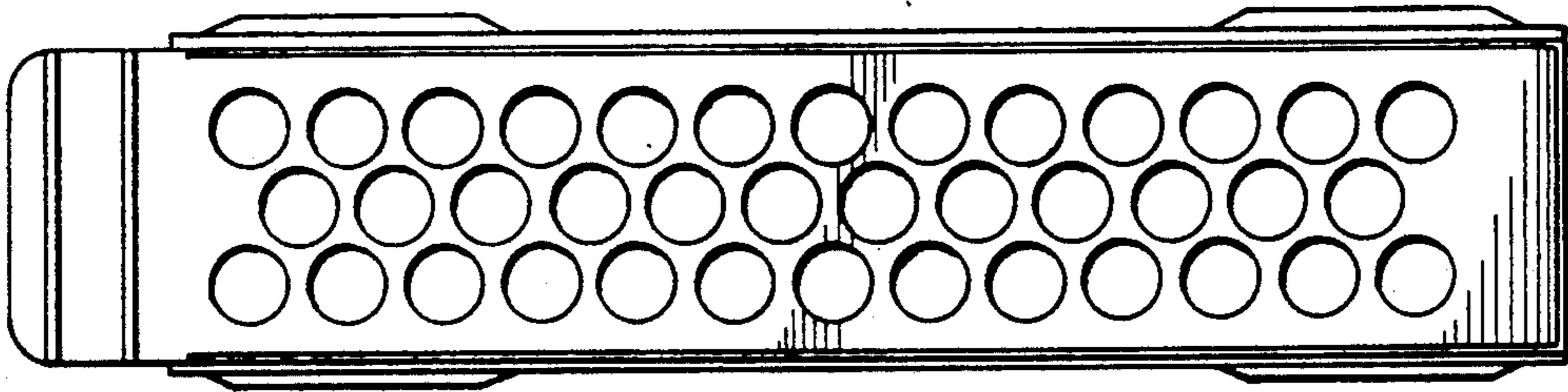


FIG. 6

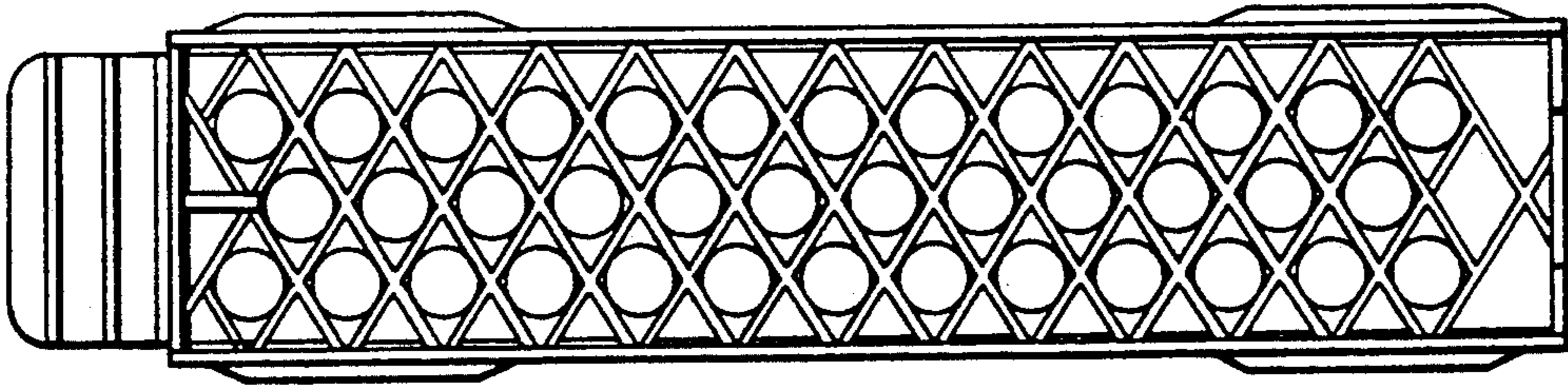


FIG. 7