



US00D323393S

United States Patent [19]

[11] Patent Number: **Des. 323,393**

Gross

[45] Date of Patent: **** Jan. 21, 1992**

[54] **DEPILATOR**

[75] Inventor: **Joseph Gross, Moshav Mazor, Israel**

[73] Assignee: **Hair Remover, Ltd., Tel-Aviv, Israel**

[**] Term: **14 Years**

[21] Appl. No.: **223,806**

[22] Filed: **Jul. 25, 1988**

[30] Foreign Application Priority Data

Feb. 3, 1988 [IL] Israel 13406

[52] U.S. Cl. **D24/133**

[58] Field of Search D24/28, 26, 40, 41;
606/133; 132/73, 73.6, 289; D28/49, 44, 50, 53,
10, 58

[56] References Cited

U.S. PATENT DOCUMENTS

D. 110,158 6/1938 Stillwell D28/49
D. 128,032 7/1941 Holsclaw D28/49

D. 238,519 1/1976 Nagelkerke D28/53
D. 290,398 6/1987 Daar et al. D24/26
D. 301,738 6/1989 Daar et al. D24/26
4,807,624 2/1989 Gross et al. 606/133

Primary Examiner—Stella Reid
Attorney, Agent, or Firm—Benjamin J. Barish

[57] CLAIM

The ornamental design for a depilator, as shown.

DESCRIPTION

FIG. 1 is a perspective view of a depilator, showing my new design;
FIG. 2 is a front elevational view thereof;
FIG. 3 is a rear elevational view thereof;
FIG. 4 is a side elevational view thereof;
FIG. 5 is a side elevational view thereof, opposite that shown in FIG. 5;
FIG. 6 is an end elevational view thereof; and
FIG. 7 is an end elevational view thereof, opposite that shown in FIG. 6.

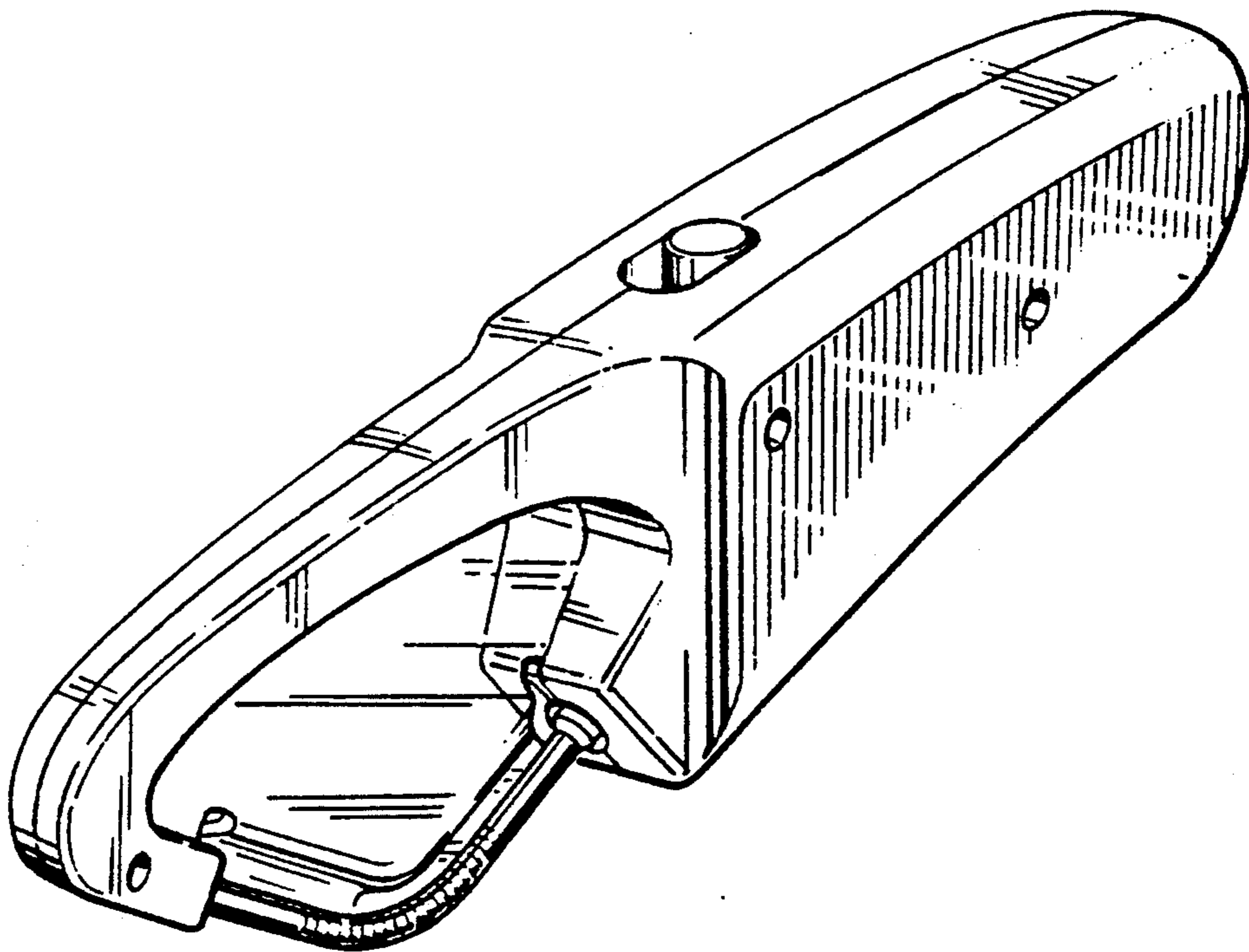


FIG 1

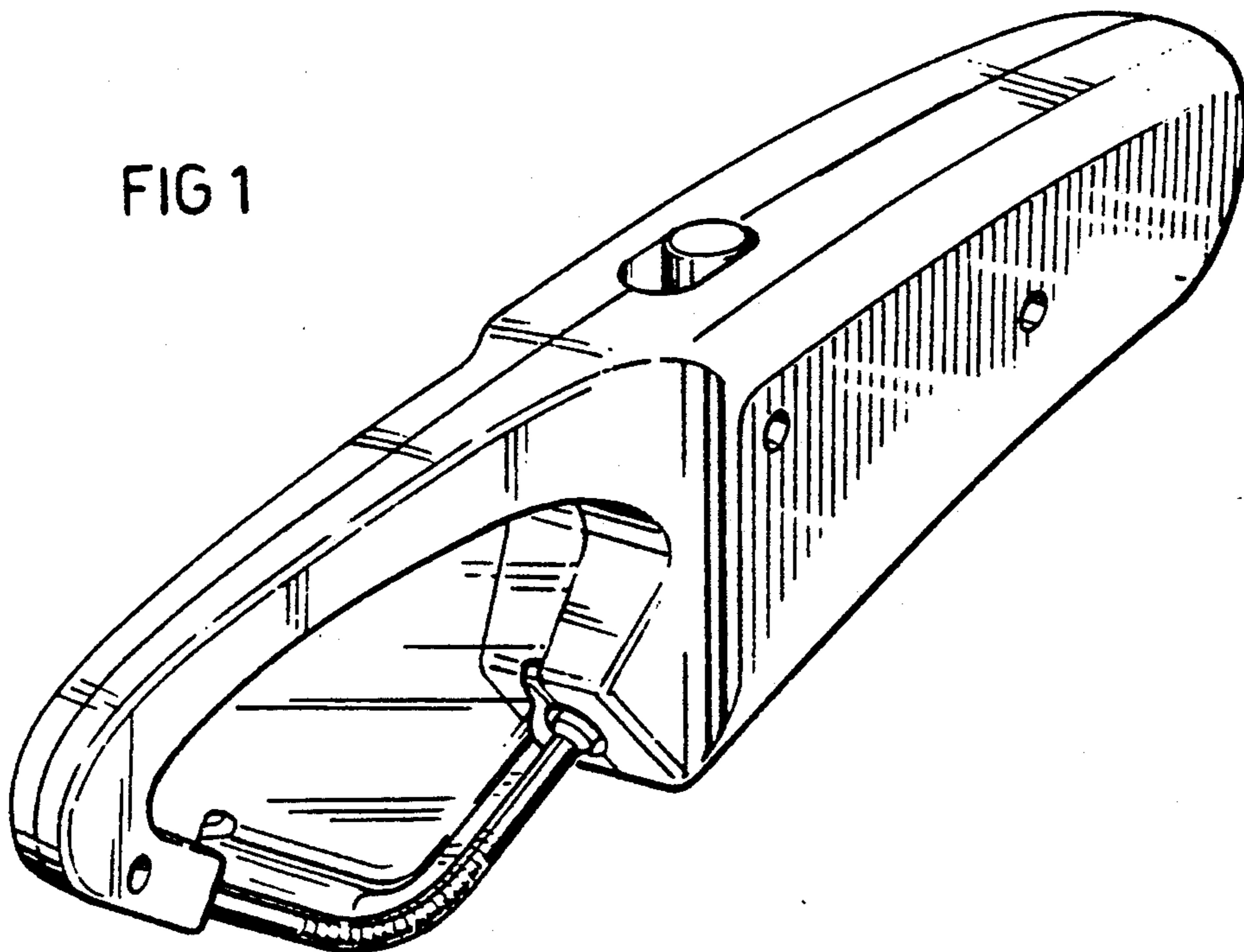


FIG 2

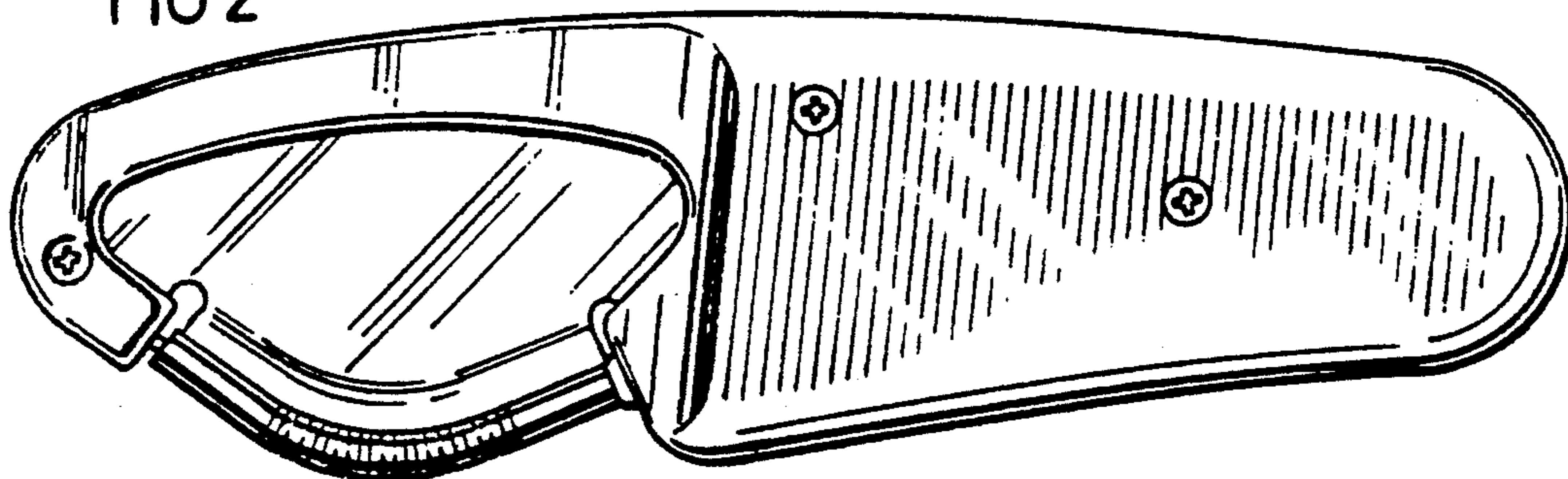


FIG 3

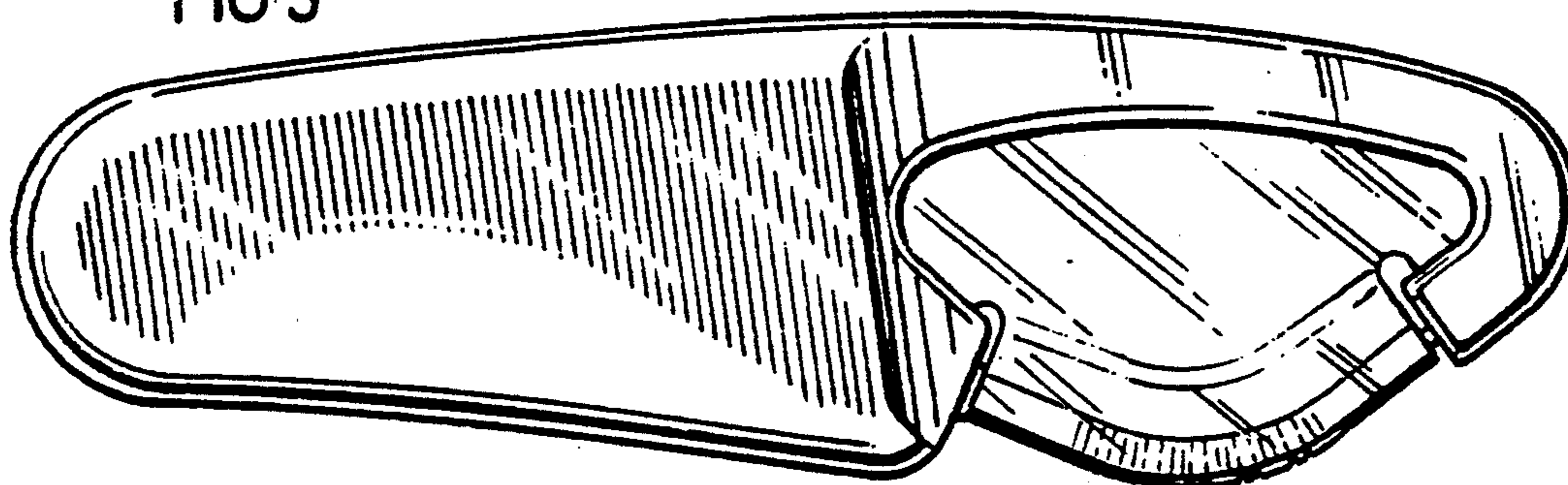


FIG 4

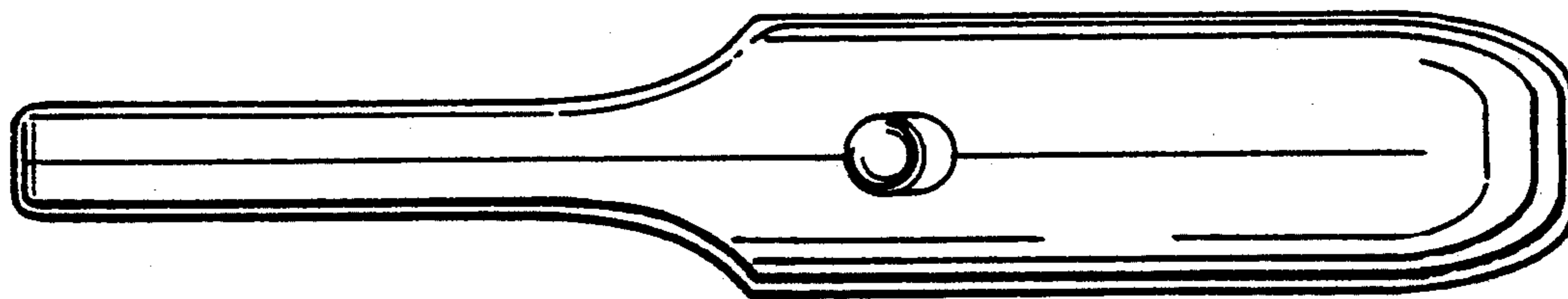


FIG 5

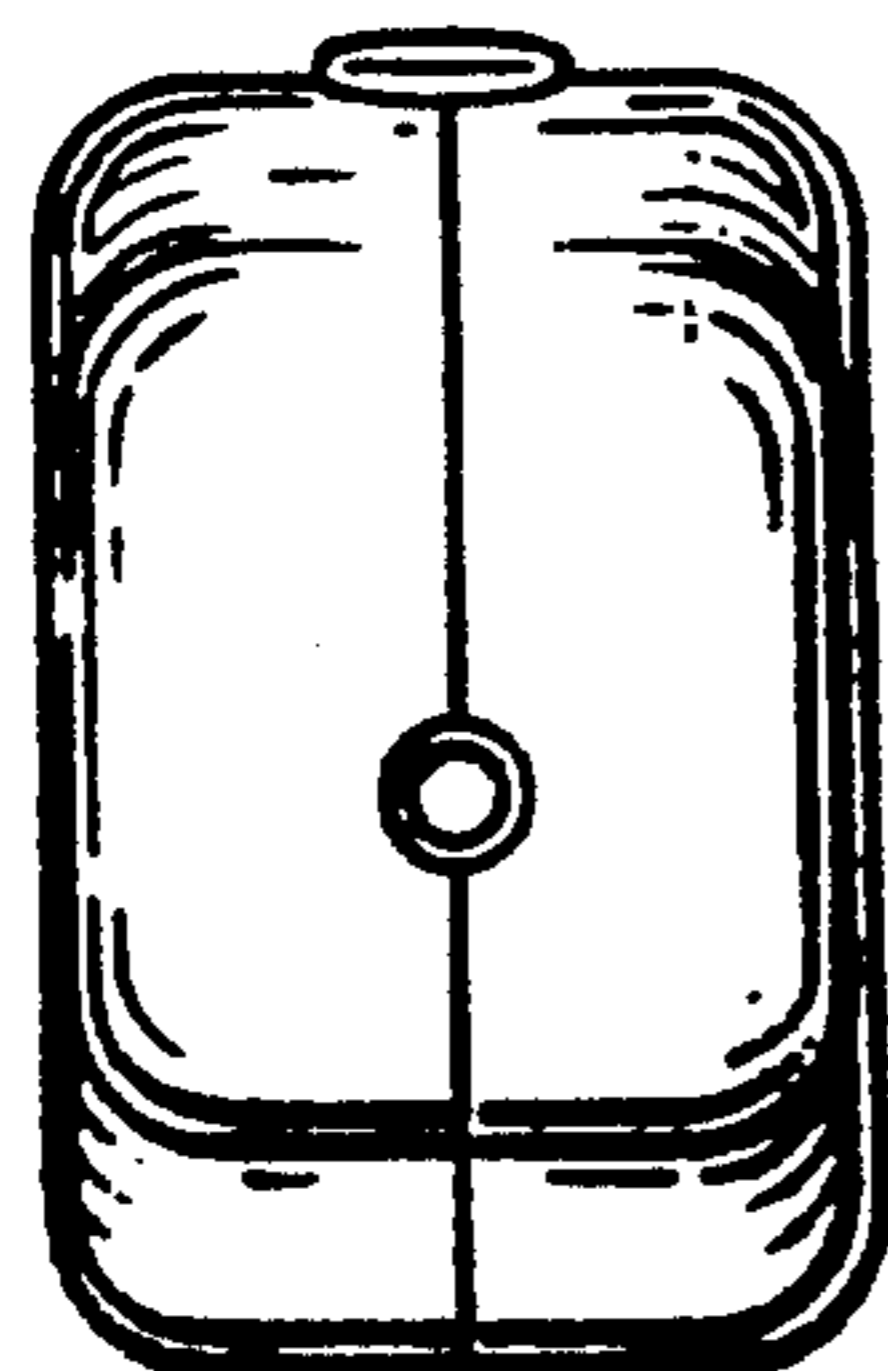
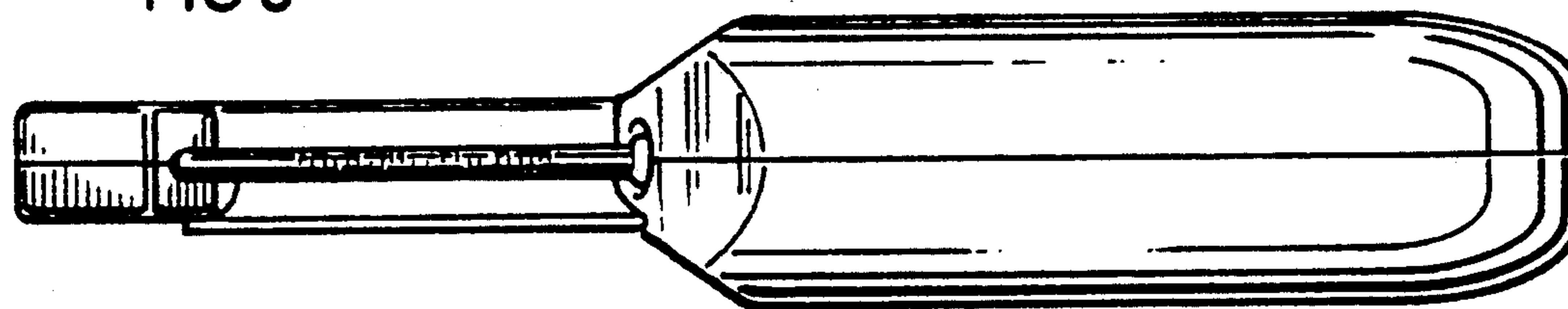


FIG 6

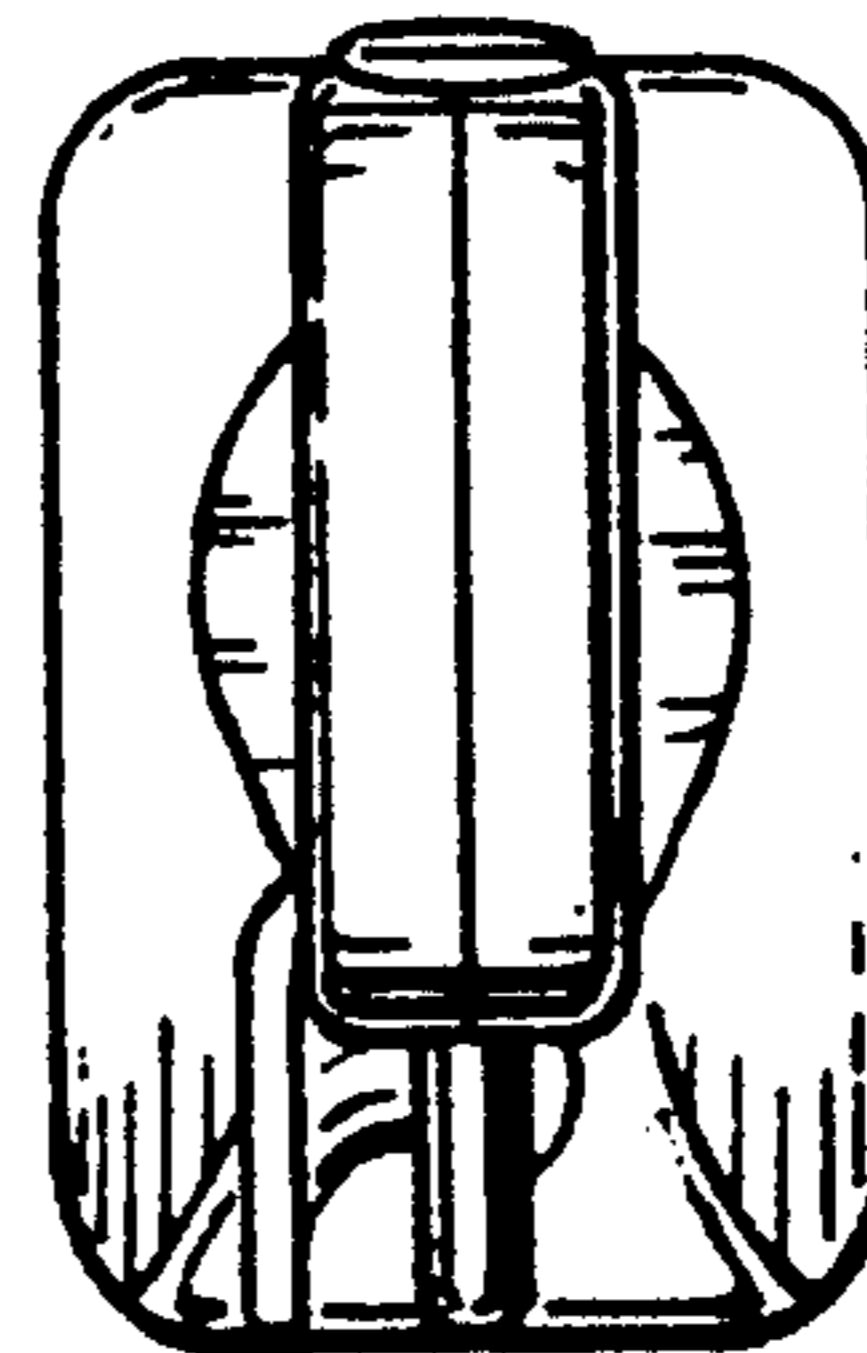


FIG 7