



US00D323392S

# United States Patent [19]

[11] Patent Number: **Des. 323,392**

Byrne

[45] Date of Patent: **\*\* Jan. 21, 1992**

[54] **SAFETY RECAPPER FOR HYPODERMIC NEEDLES**

*Primary Examiner—Stella Reid  
Attorney, Agent, or Firm—Eugene M. Eckelman*

[76] Inventor: **Harold J. Byrne, 1006 NE. Second Ave., Portland, Oreg. 97232**

[57] **CLAIM**

The ornamental design for a safety recapper for hypodermic needles, as shown and described.

[\*\*] Term: **14 Years**

### DESCRIPTION

[21] Appl. No.: **386,866**

FIG. 1 is a top perspective view of a safety recapper for hypodermic needles, showing my new design;

[22] Filed: **Jul. 31, 1989**

FIG. 2 is a top plan view thereof;

[52] U.S. Cl. .... **D24/130**

FIG. 3 is a side elevational view thereof, with all other side being identical thereto;

[58] Field of Search ..... **D24/130; 604/192, 193, 604/197, 198, 263; 248/519, 688, 127, 146**

FIG. 4 is a bottom plan view thereof;

[56] **References Cited**

FIG. 5 is a cross-sectional view taken along line 5—5 of FIG. 2;

### U.S. PATENT DOCUMENTS

FIG. 6 is a bottom perspective view of a second embodiment of a safety recapper for hypodermic needles, with all side elevational views being identical to that shown in FIG. 3;

D. 297,365	8/1988	Barnett	.....	D24/130
D. 302,206	7/1989	McAlster et al.	.....	D24/130
4,717,386	1/1988	Simmons	.....	604/192
4,737,149	4/1988	Gillilan	.....	604/192
4,740,204	4/1988	Masters et al.	.....	D24/130 X
4,781,697	11/1988	Slaughter	.....	604/192
4,834,715	5/1989	Hanifl	.....	604/263 X

FIG. 7 is a bottom plan view of FIG. 6; and

FIG. 8 is a cross-sectional view thereof taken along line 8—8 of FIG. 6.

### FOREIGN PATENT DOCUMENTS

2198644A 6/1988 United Kingdom .

The broken line showing in FIGS. 3, 5 and 8 is for illustrative purposes only and forms no part of the claimed design.

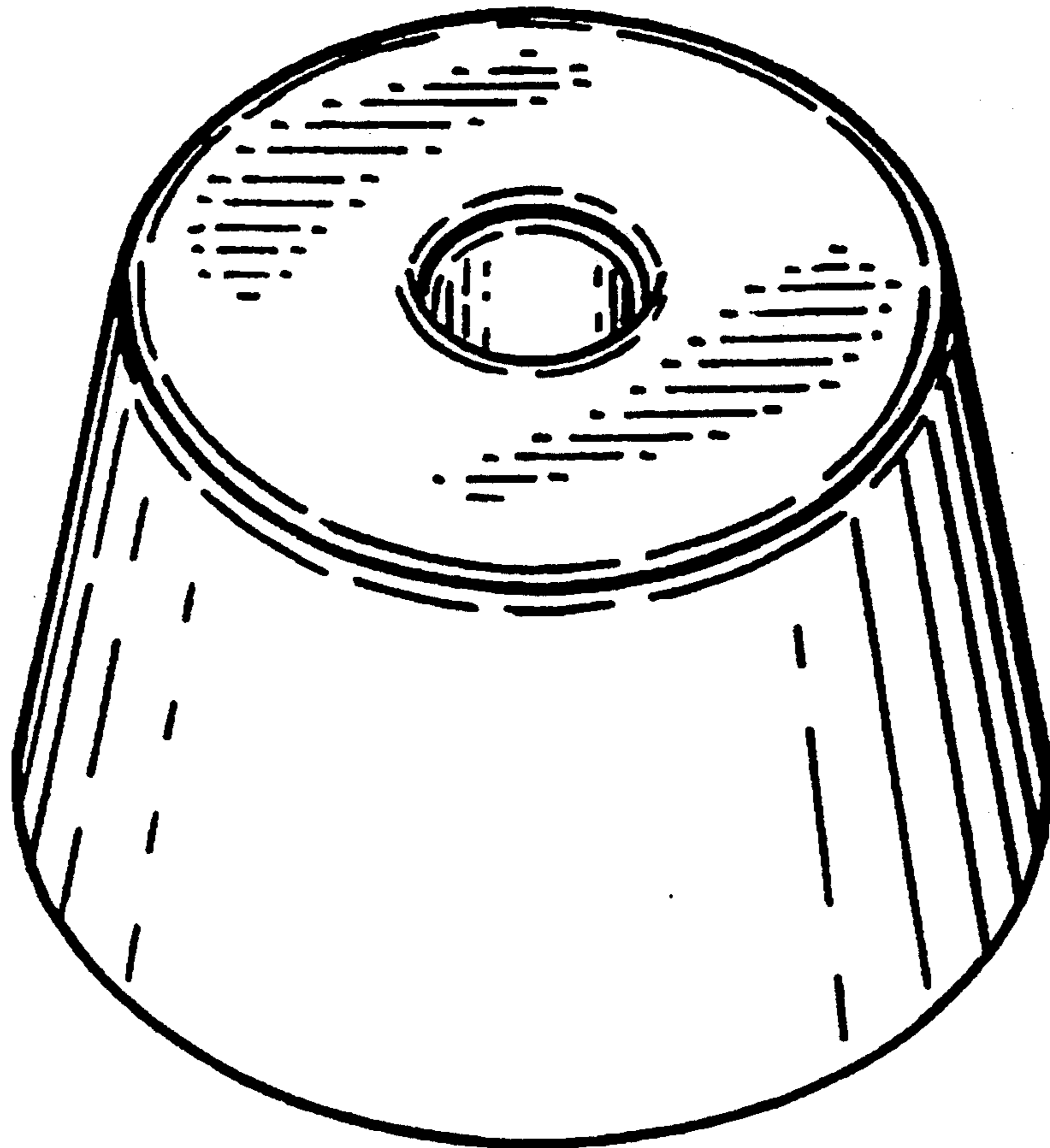


FIG. 1

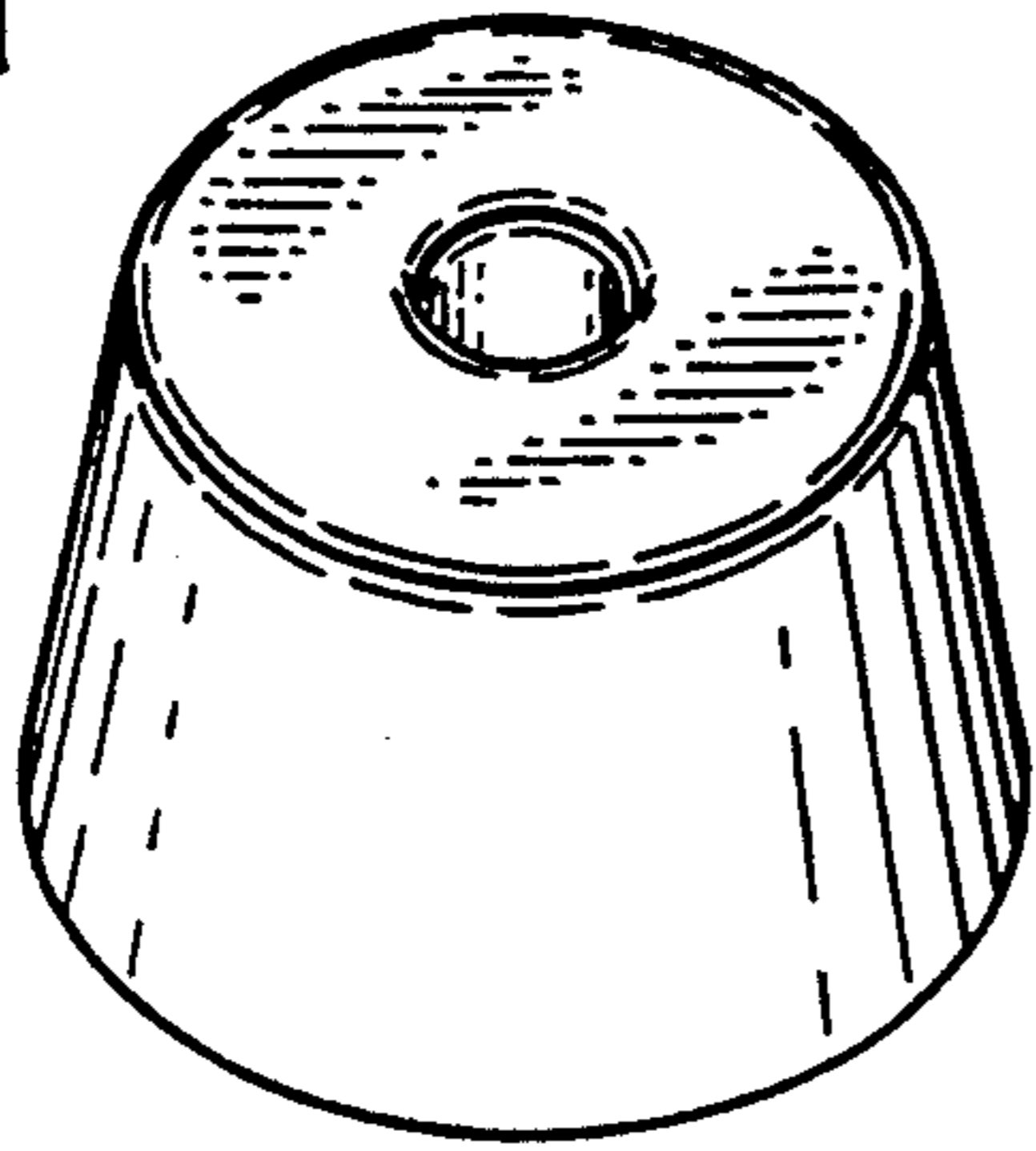


FIG. 6

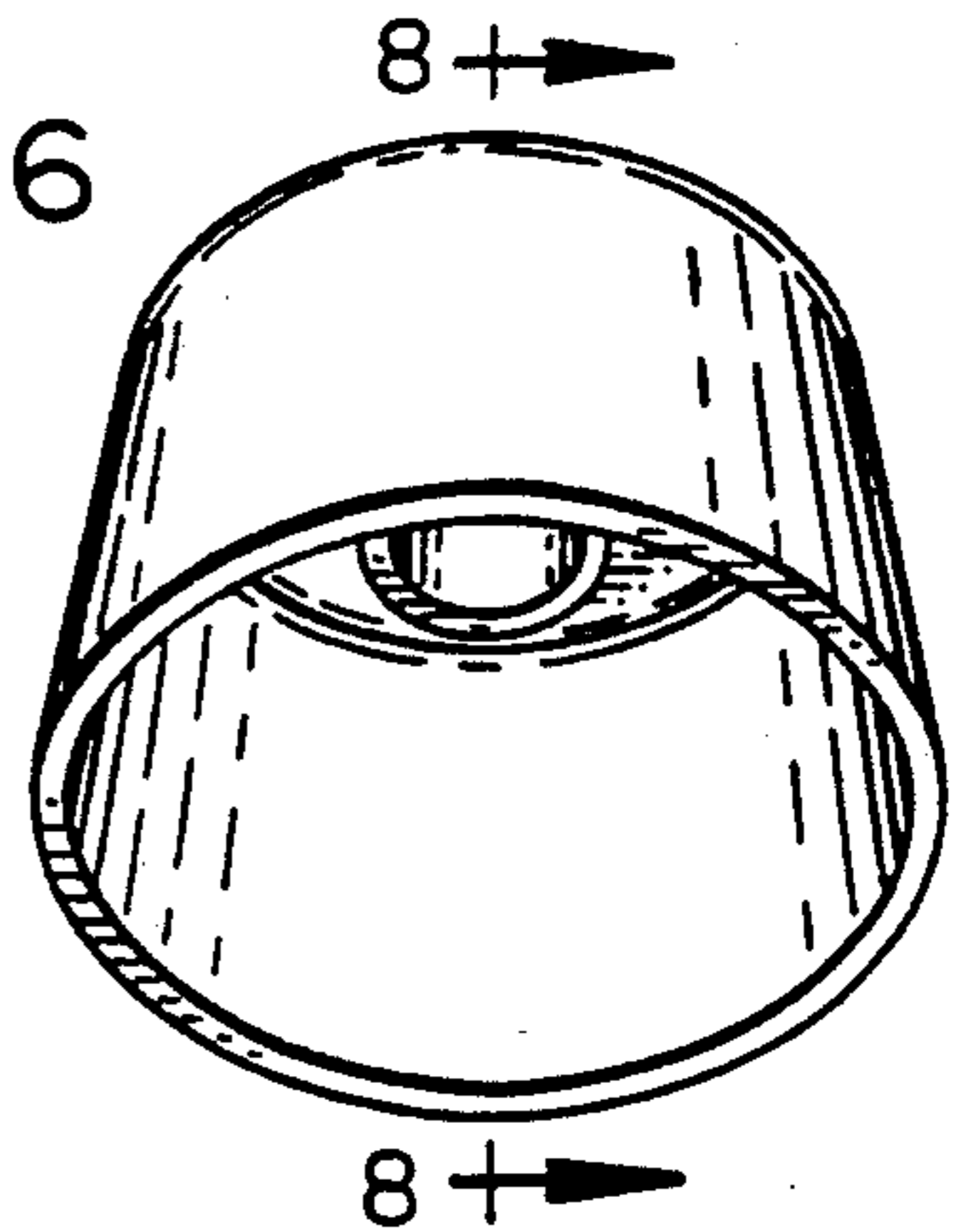


FIG. 2

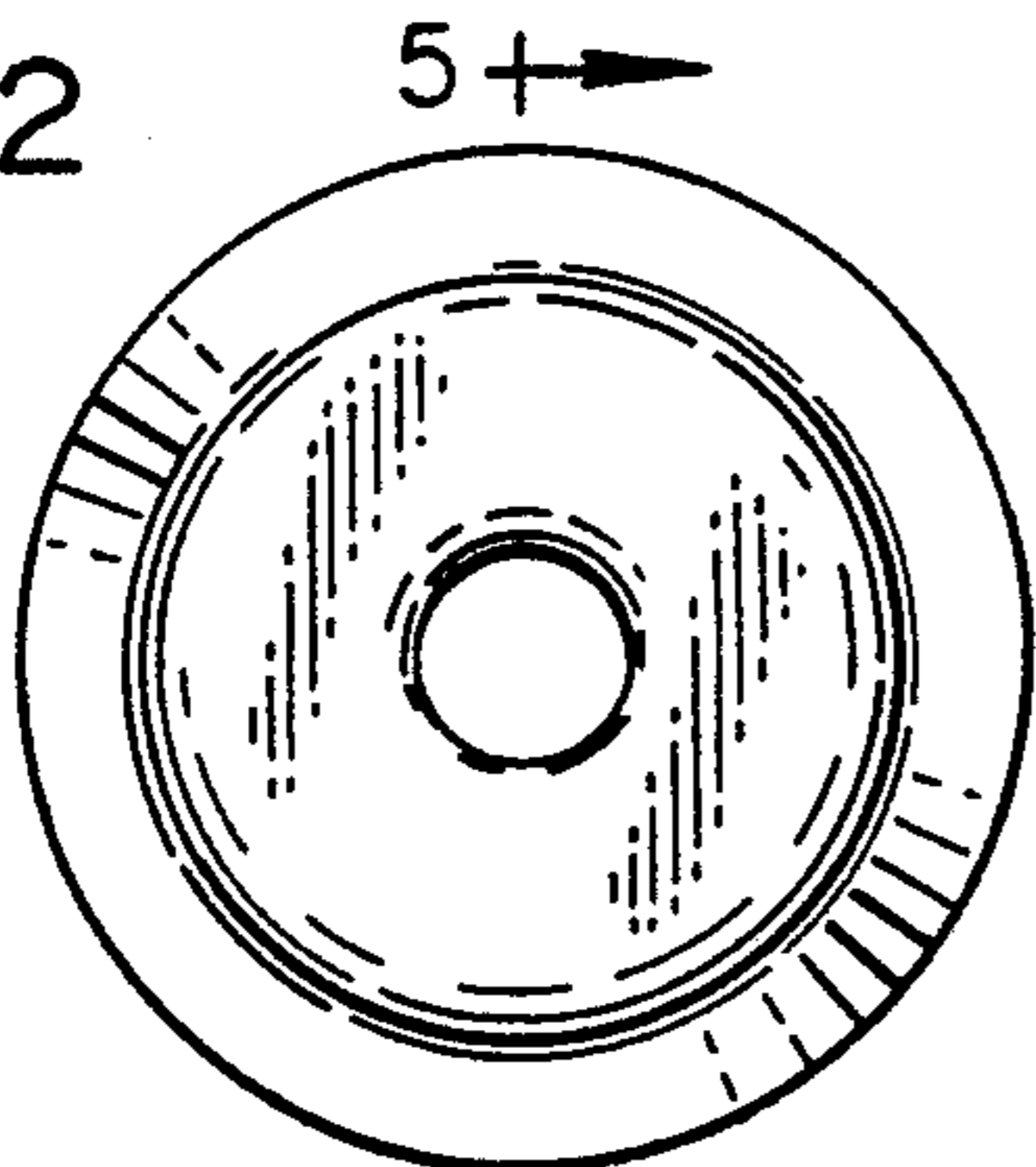


FIG. 7

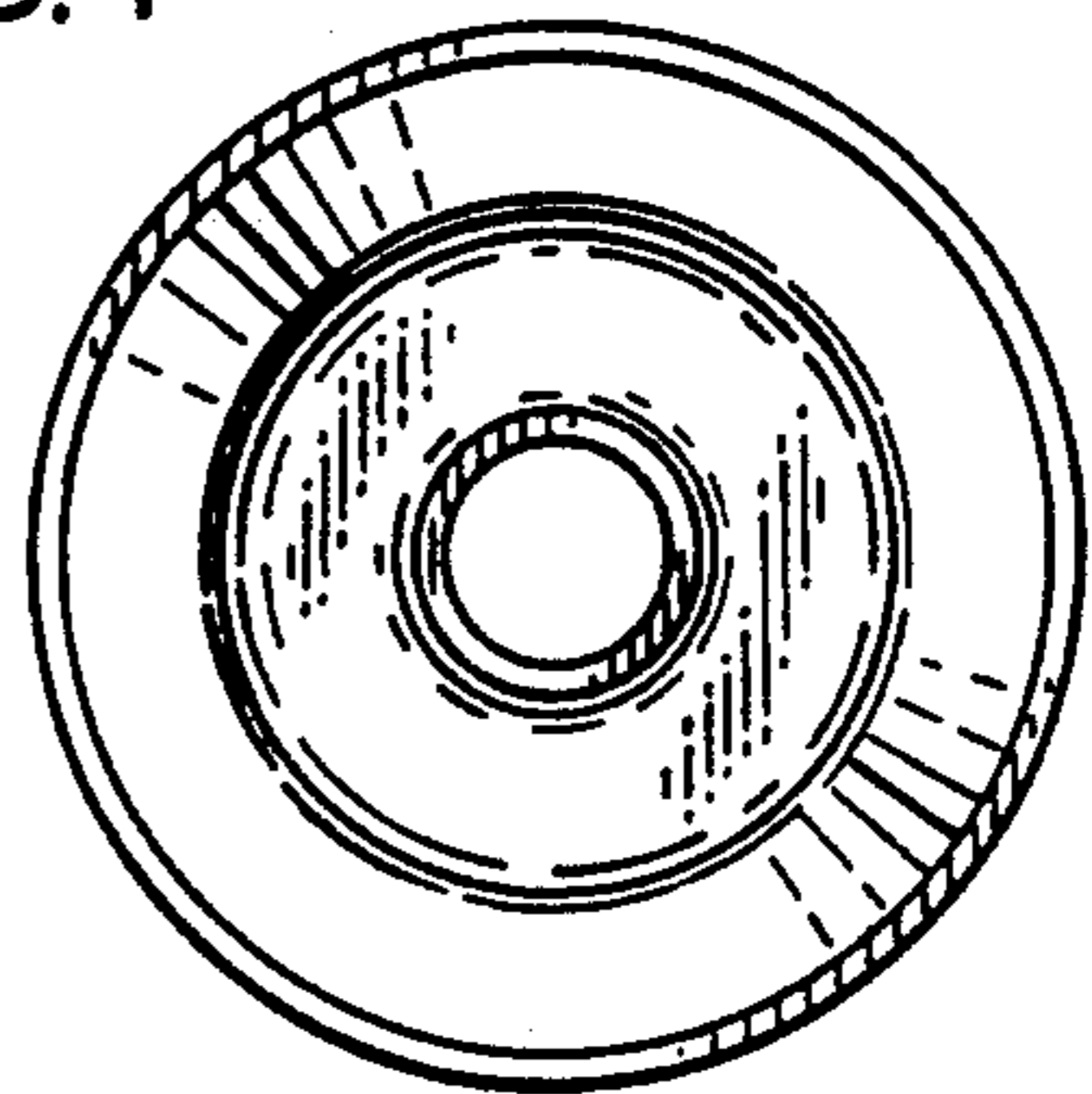


FIG. 3

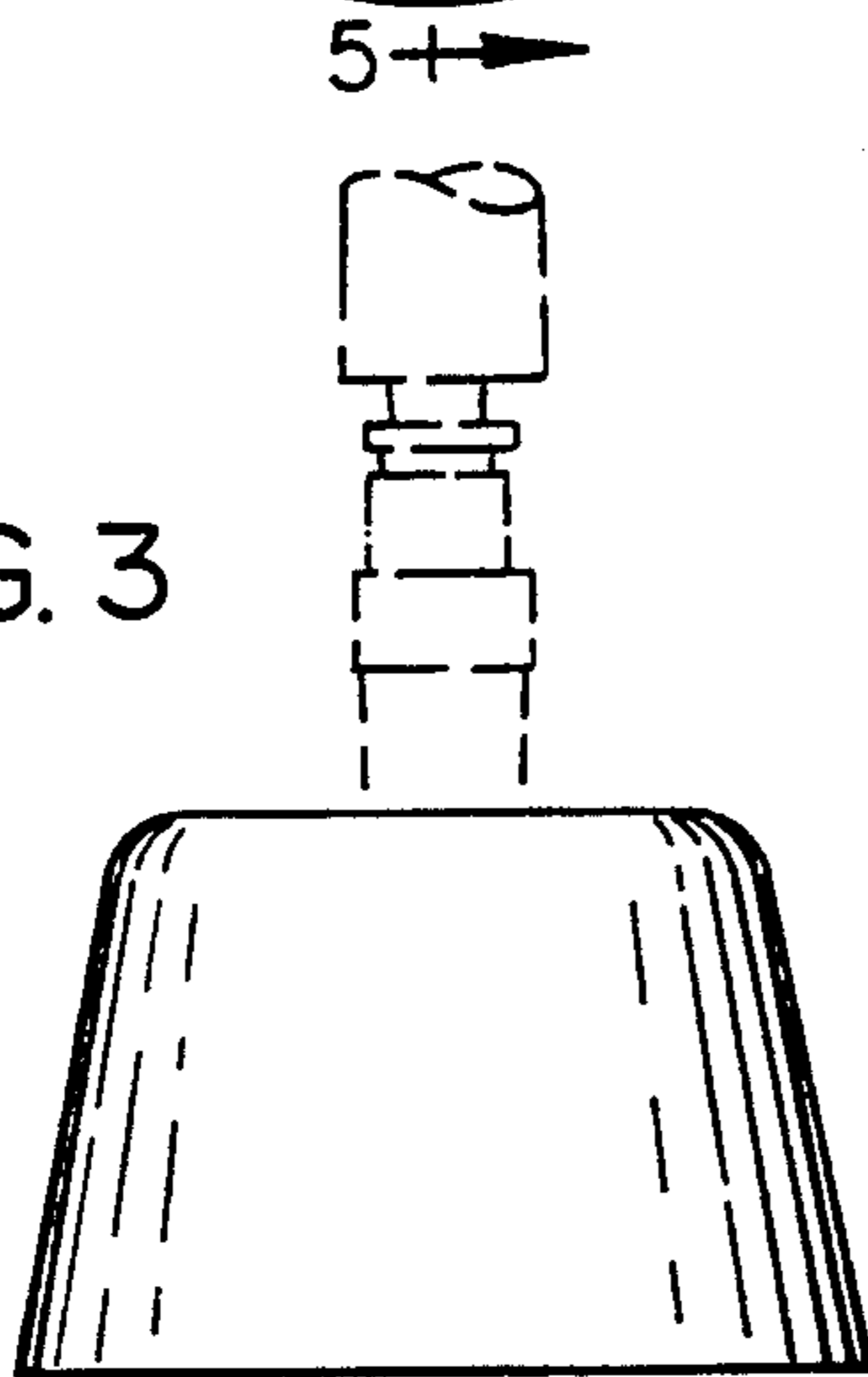


FIG. 5

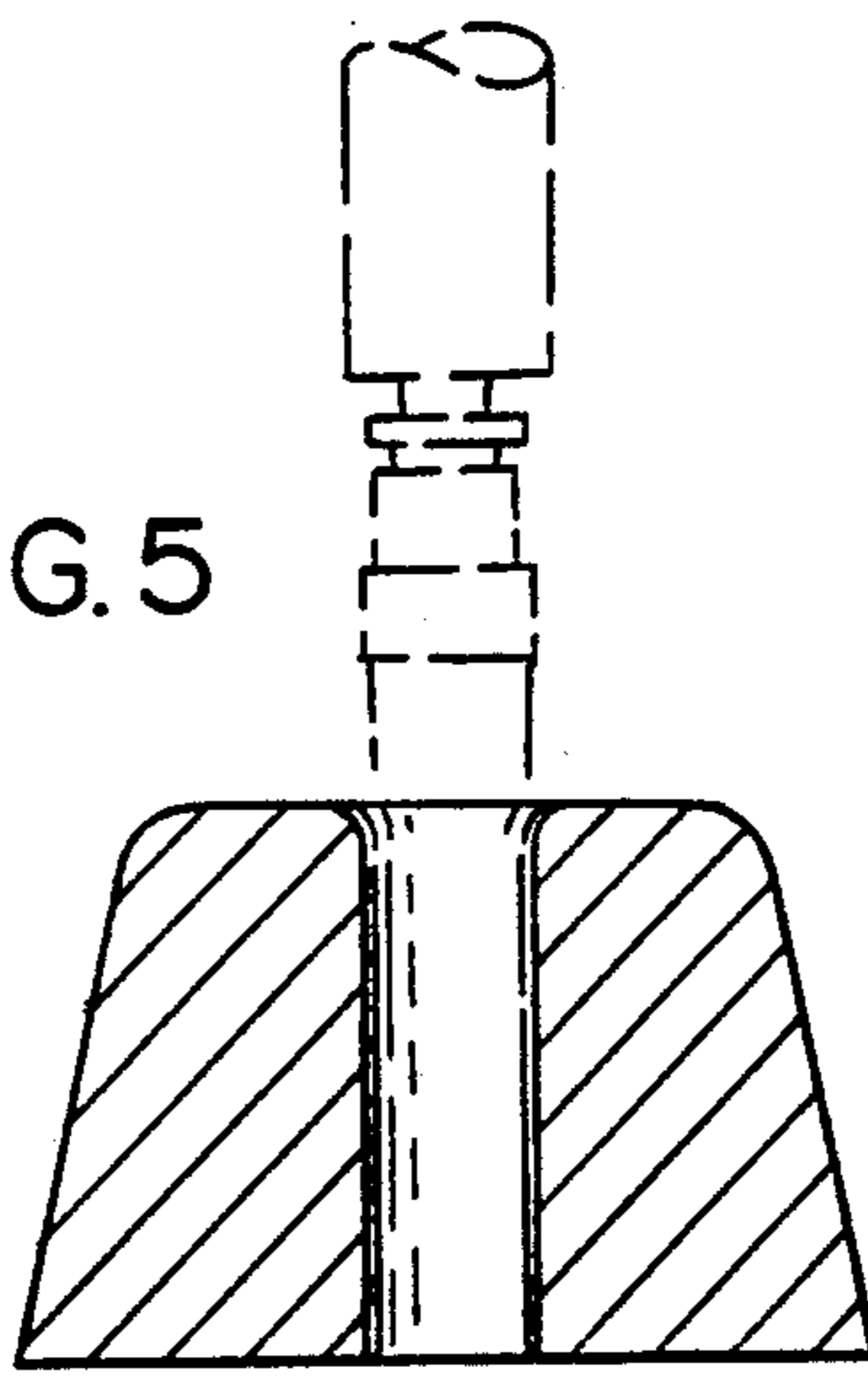


FIG. 4

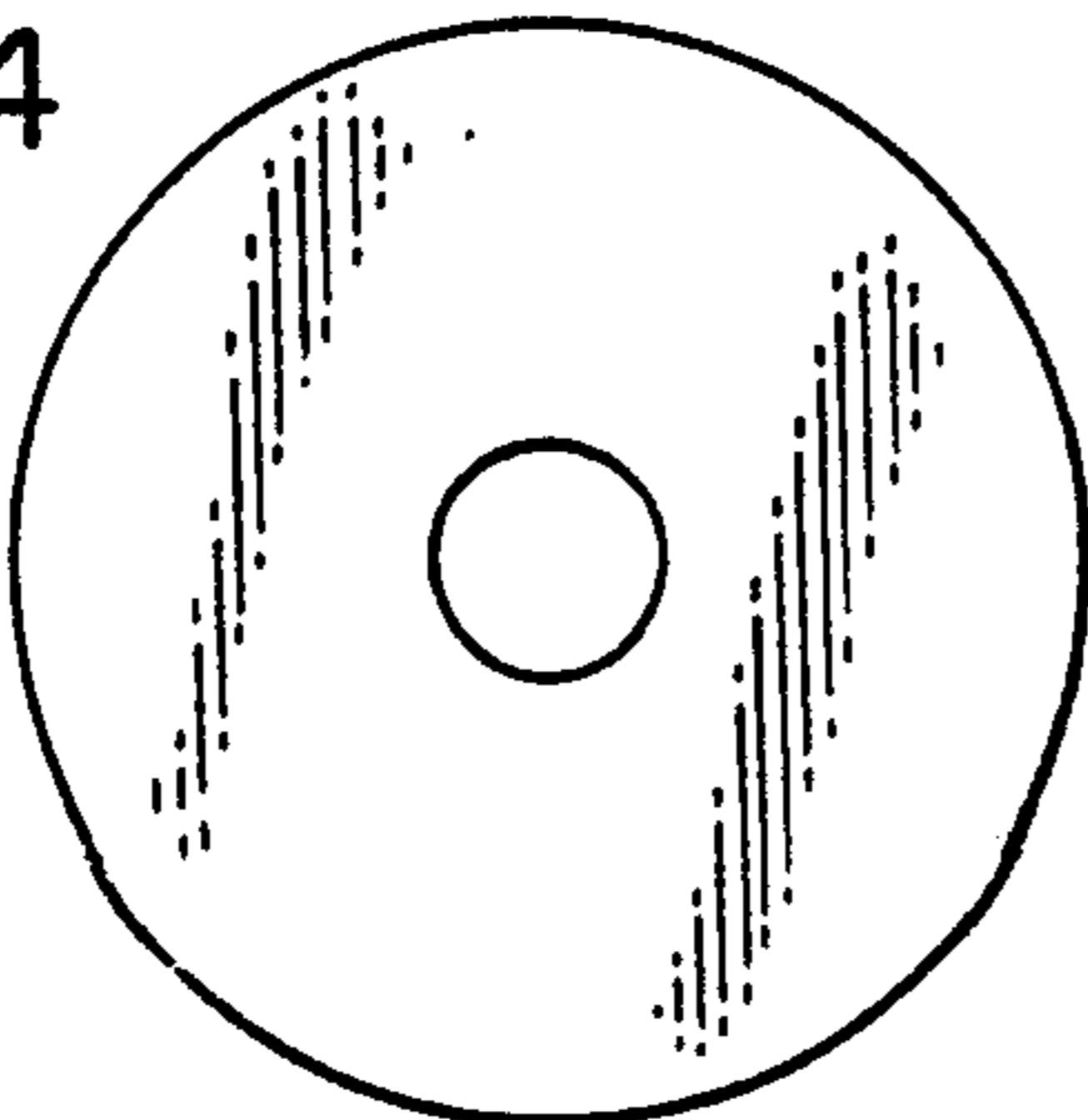


FIG. 8

