



US00D323391S

# United States Patent [19]

[11] Patent Number: **Des. 323,391**

Payne et al.

[45] Date of Patent: **\*\* Jan. 21, 1992**

[54] **DISPOSABLE SYRINGE HOUSING**

[75] Inventors: **John B. Payne**, West Des Moines, Iowa; **David R. Jones**, West Palm Beach, Fla.

[73] Assignee: **Diamond Scientific Co.**, Des Moines, Iowa

[\*\*] Term: **14 Years**

[21] Appl. No.: **192,781**

[22] Filed: **May 10, 1988**

[52] U.S. Cl. .... **D24/130; D24/112**

[58] Field of Search ..... **D24/25, 24, 14; 604/192-198, 110, 125, 202, 203, 208, 218, 214, 222**

[56] **References Cited**

**U.S. PATENT DOCUMENTS**

2,831,483	4/1958	Lorenzo .....	D24/24 X
2,987,261	6/1961	McCuiston et al. ....	D24/110
3,255,752	6/1966	Dick .....	D24/24 X
3,380,489	4/1968	Harautuneian .....	D24/24 X
3,424,158	1/1969	Silver .....	D24/24 X
4,182,326	1/1980	Ogle .....	604/203
4,612,010	9/1986	Hamacher et al. ....	604/218 X

*Primary Examiner*—Stella Reid

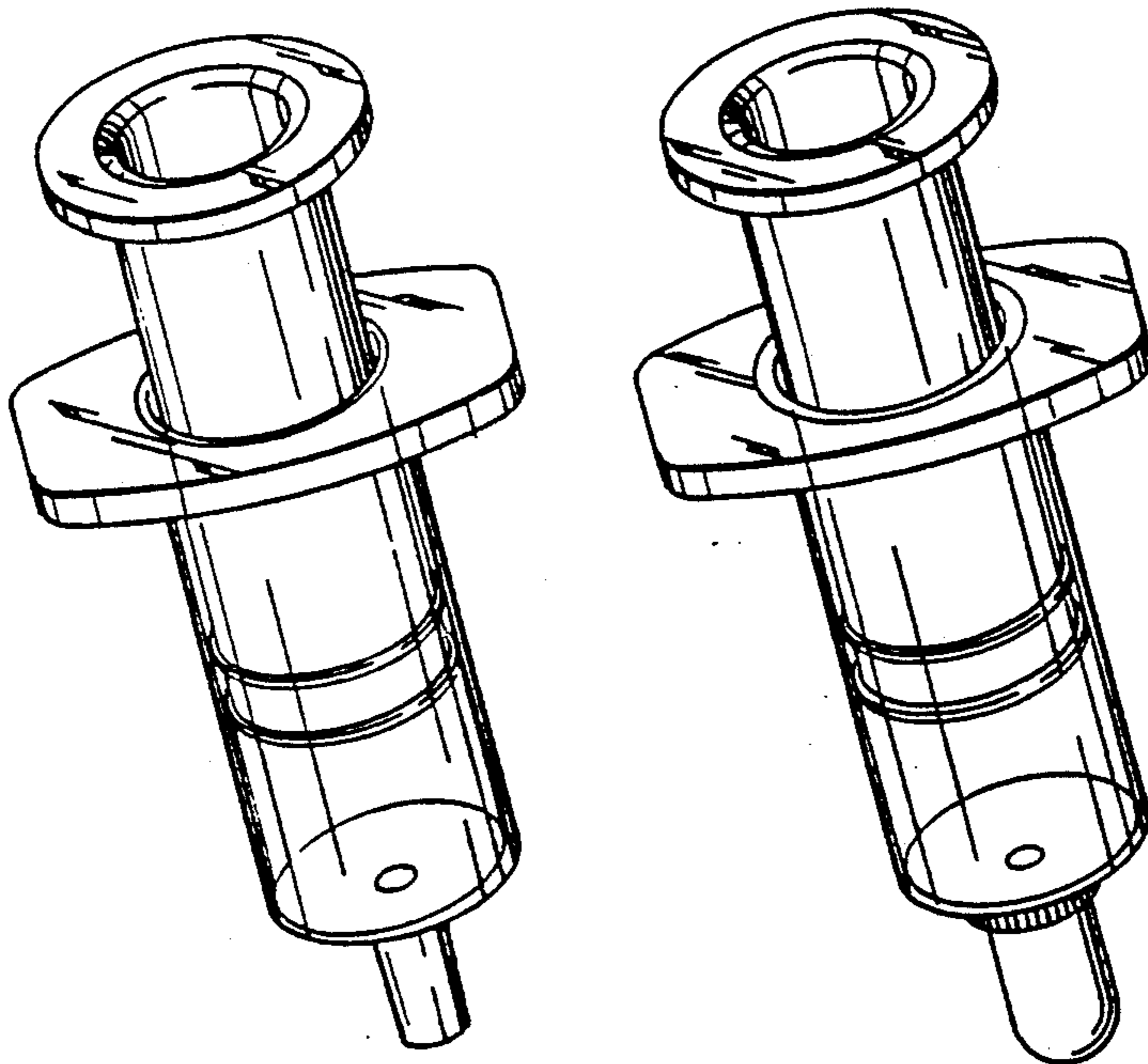
*Attorney, Agent, or Firm*—Joseph C. Gil; Lyndanne M. Whalen

[57] **CLAIM**

The ornamental design for a disposable syringe housing, as shown and described.

**DESCRIPTION**

FIG. 1 is a perspective view of a disposable syringe housing showing our new design;  
 FIG. 2 is a front elevational view thereof, the rear elevational view being identical thereto;  
 FIG. 3 is a side elevational view thereof, the opposite side elevational view being identical thereto;  
 FIG. 4 is a top plan view thereof;  
 FIG. 5 is a bottom plan view thereof;  
 FIG. 6 is a perspective view of an alternate embodiment of the disposal syringe housing;  
 FIG. 7 is a front elevational view thereof, the rear elevational view being identical thereto; and  
 FIG. 8 is a side elevational view thereof, the opposite side elevational view being identical thereto;  
 FIG. 9 is a top plan view thereof; and  
 FIG. 10 is a bottom plan view thereof.



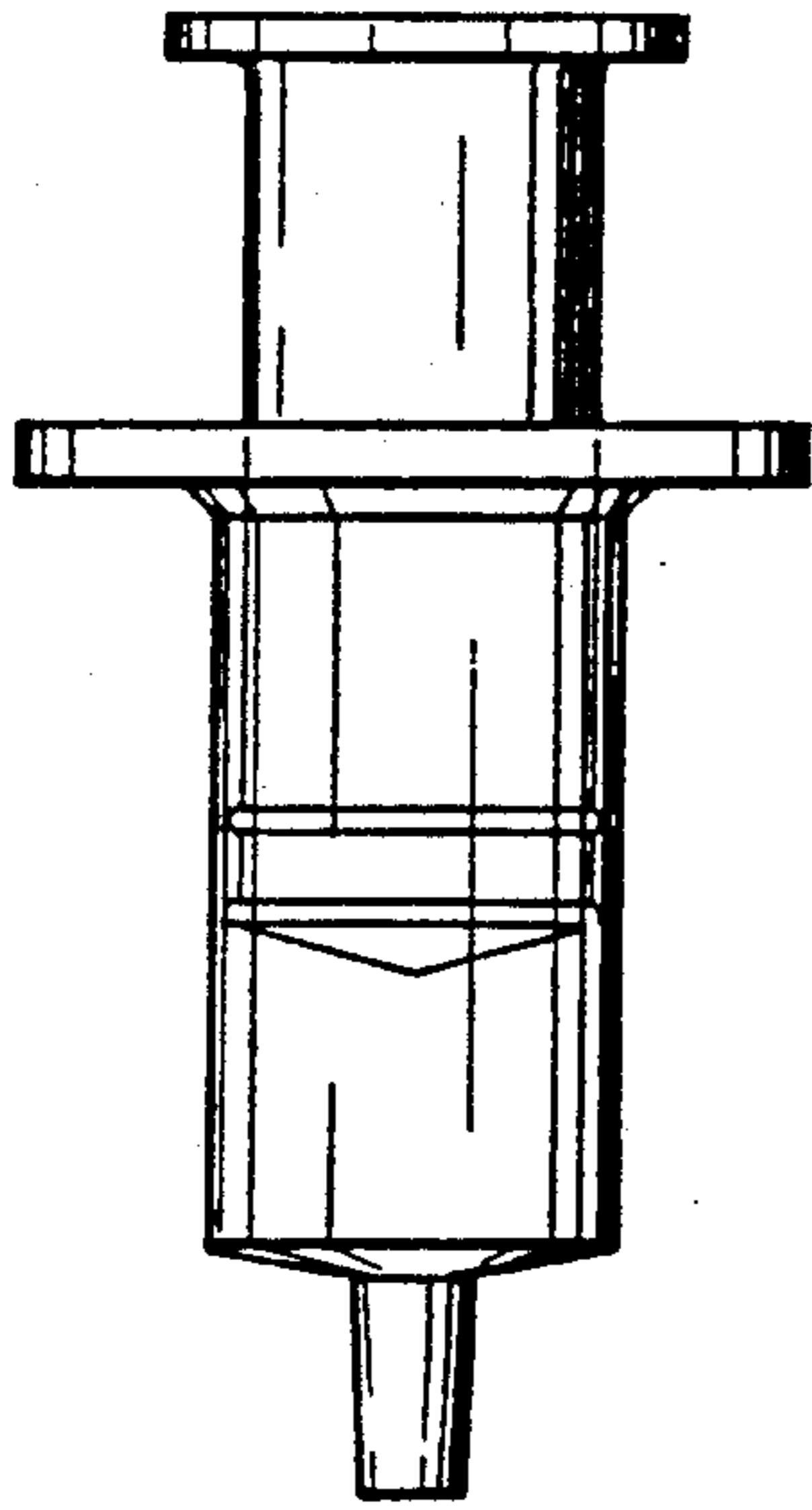


FIG. 2

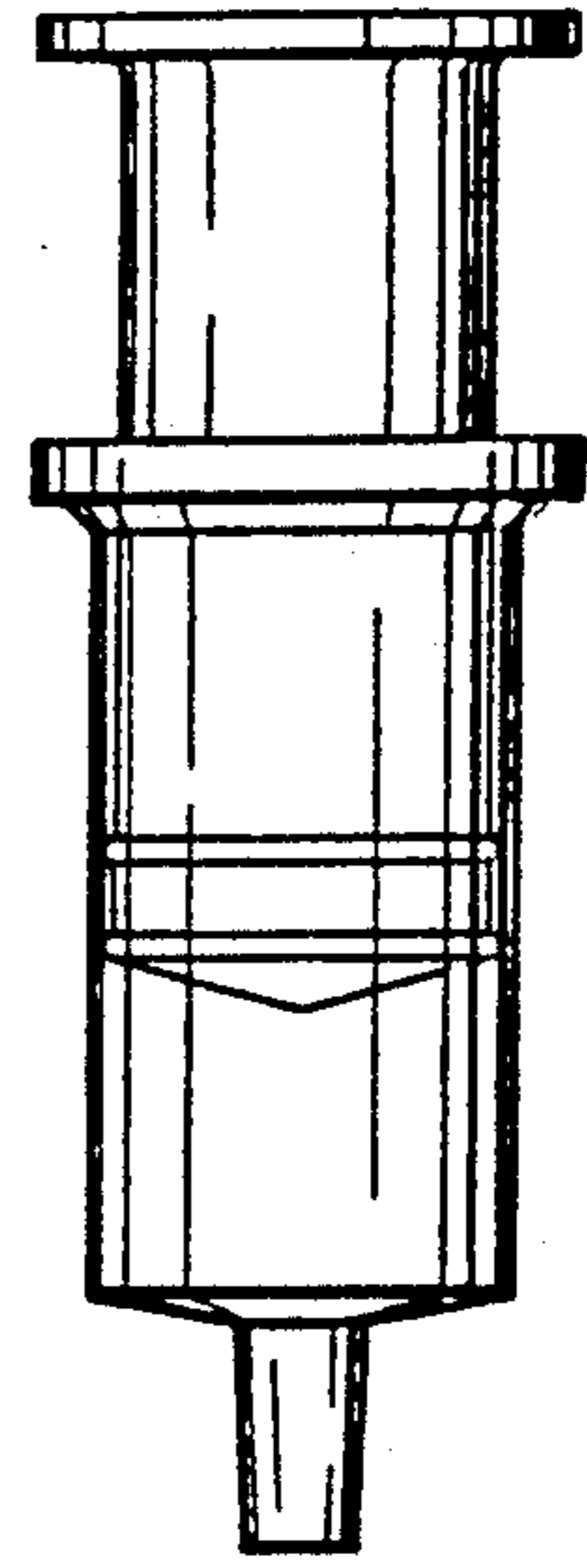


FIG. 3

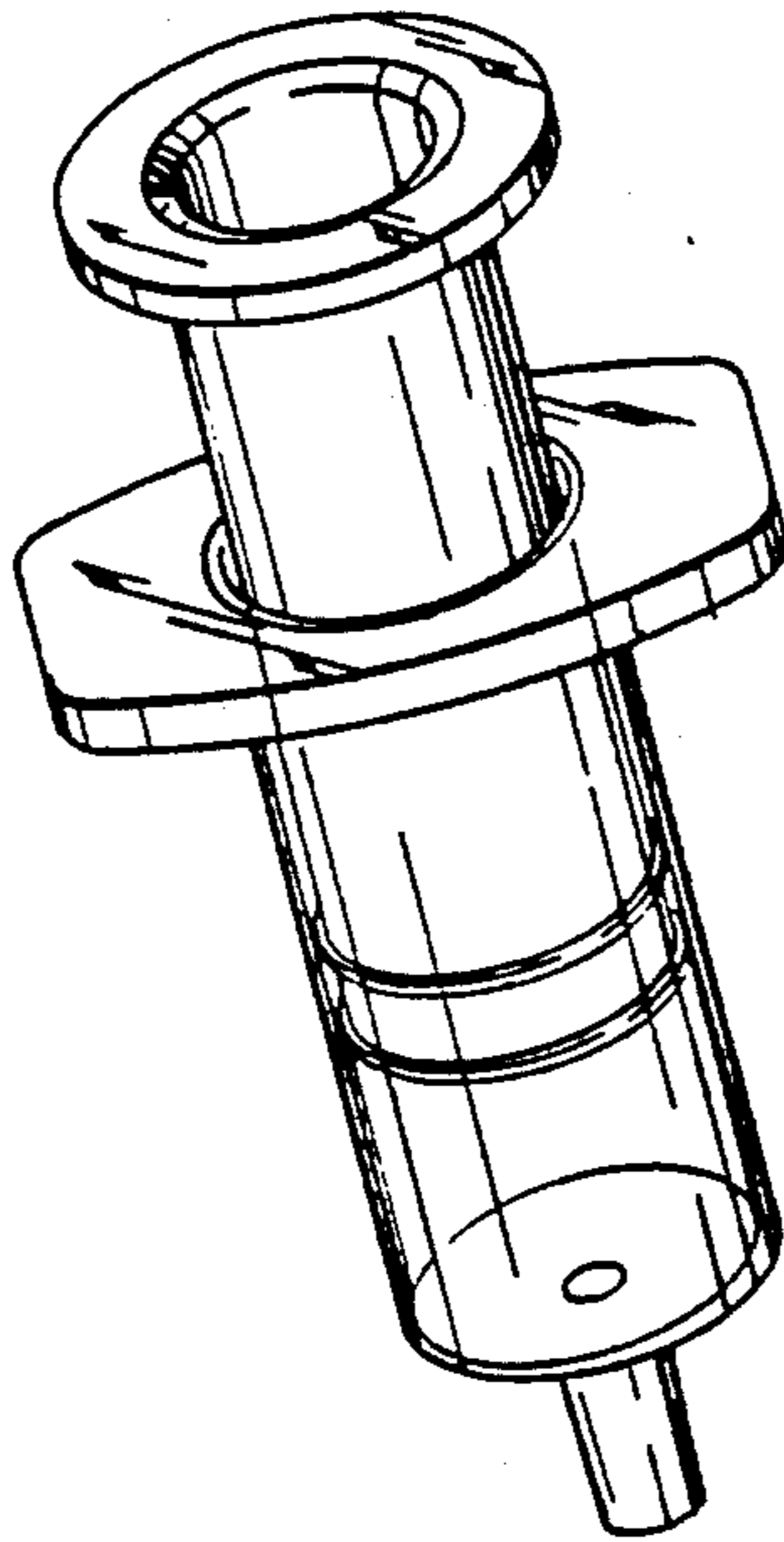


FIG. 1

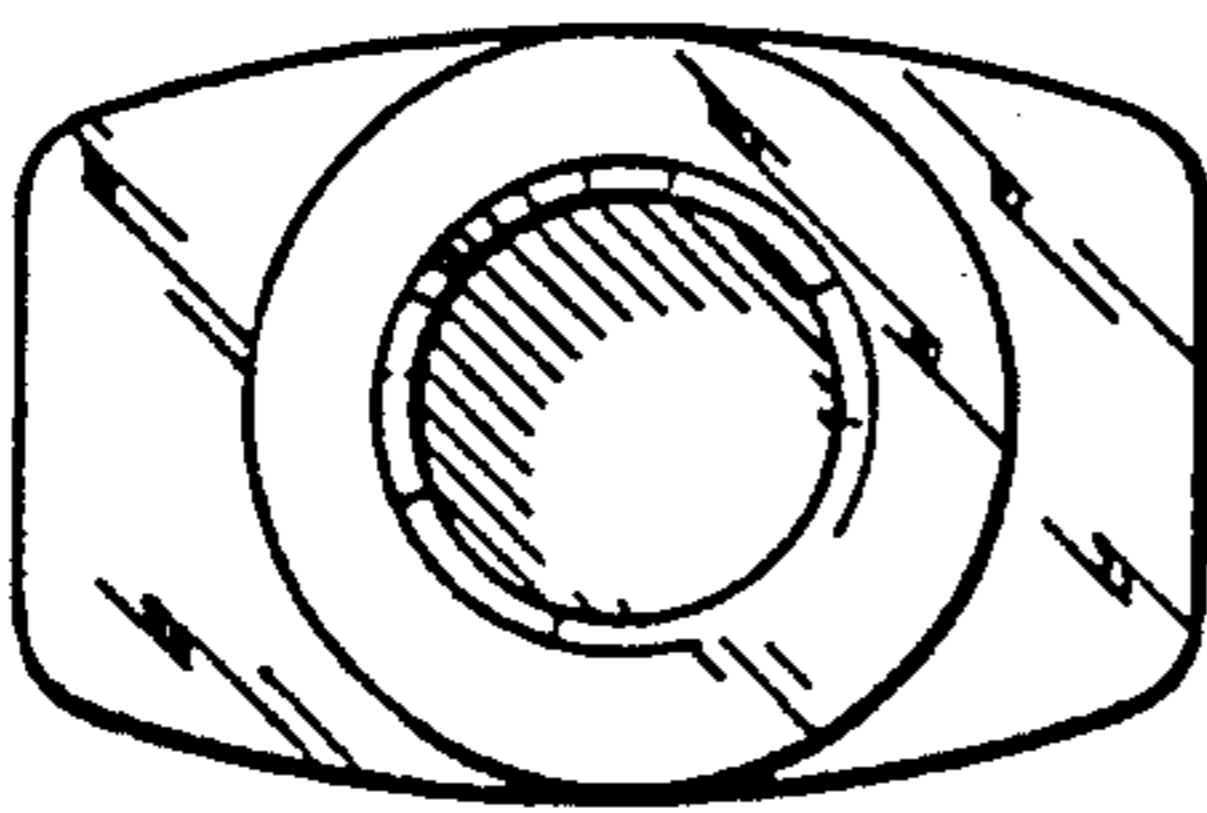


FIG. 4

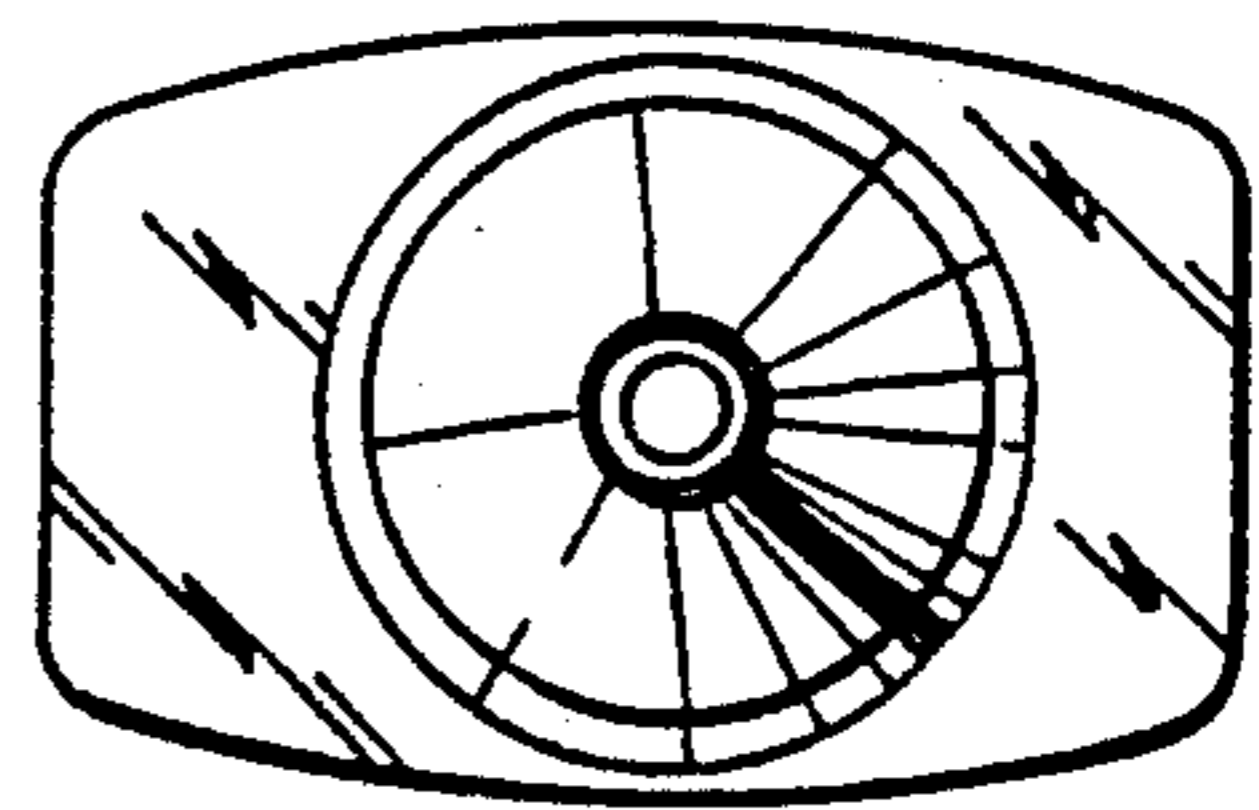


FIG. 5

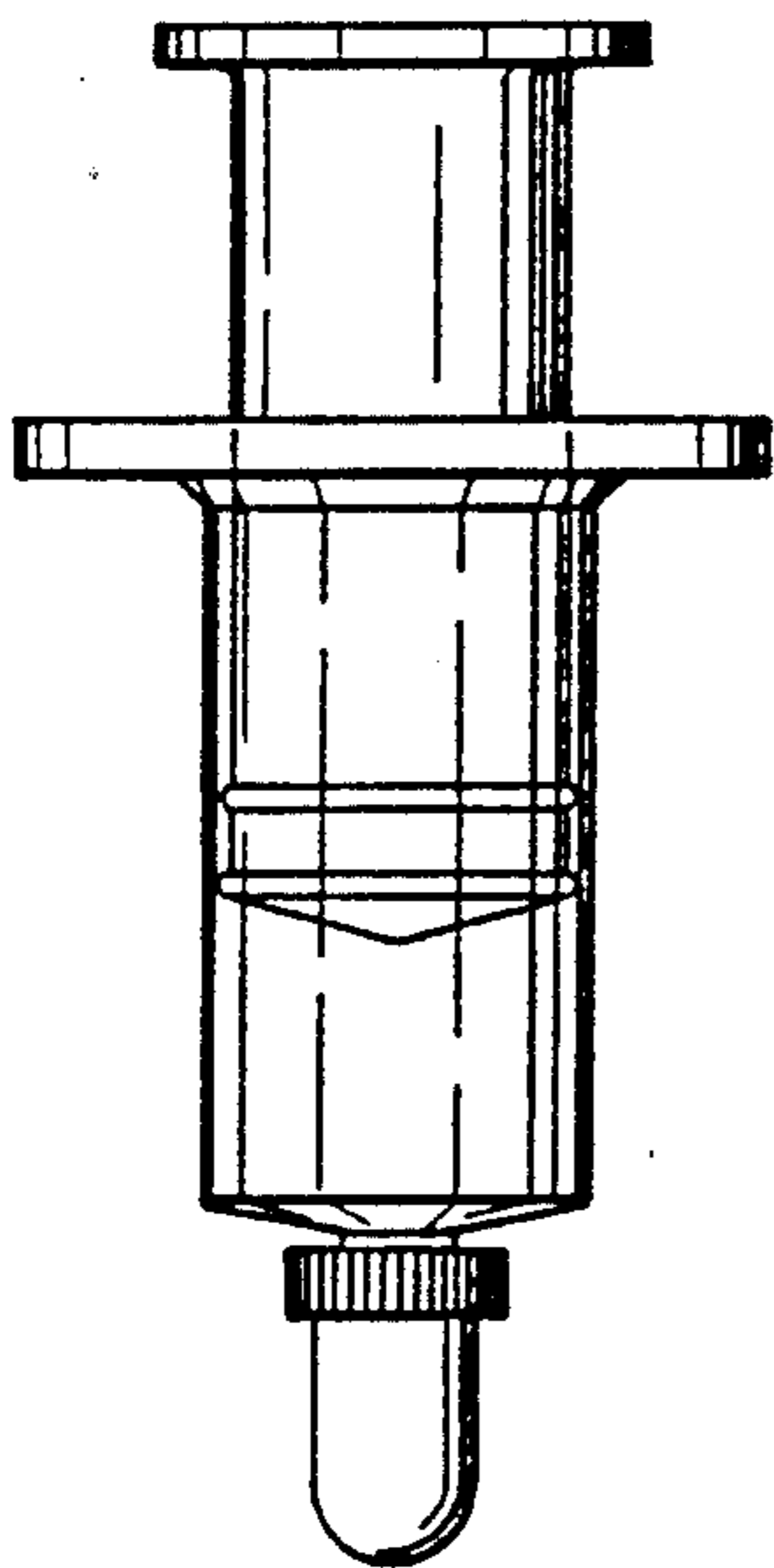


FIG. 7

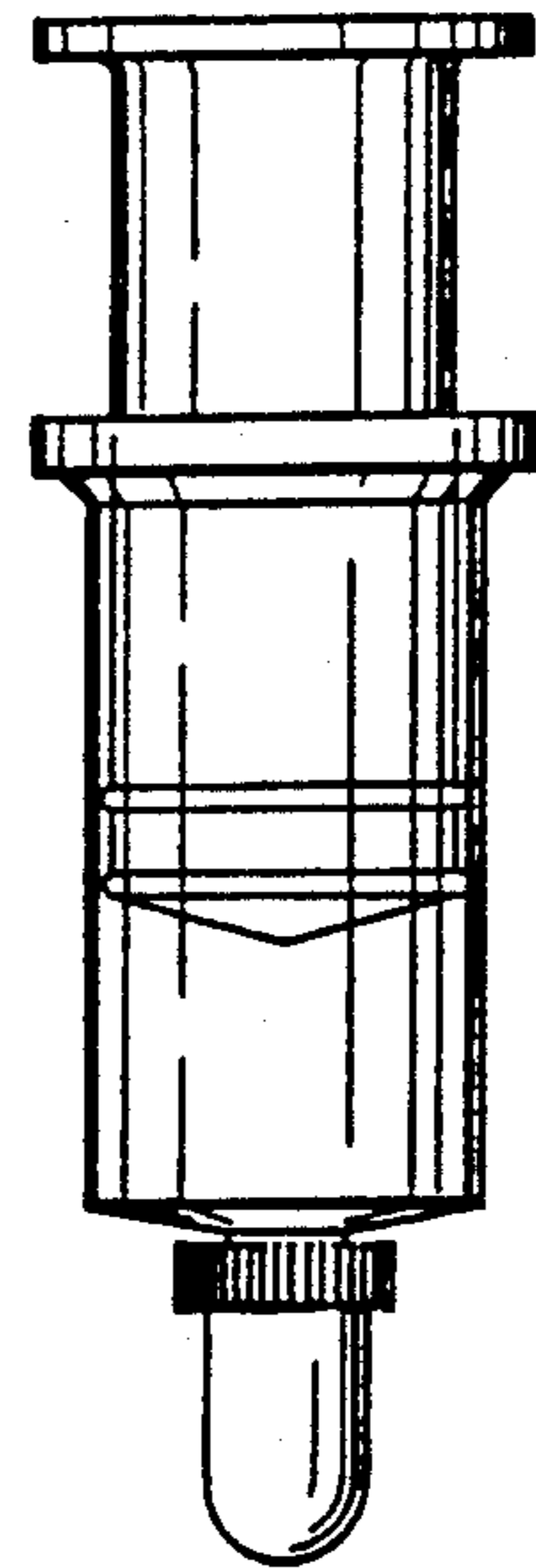


FIG. 8

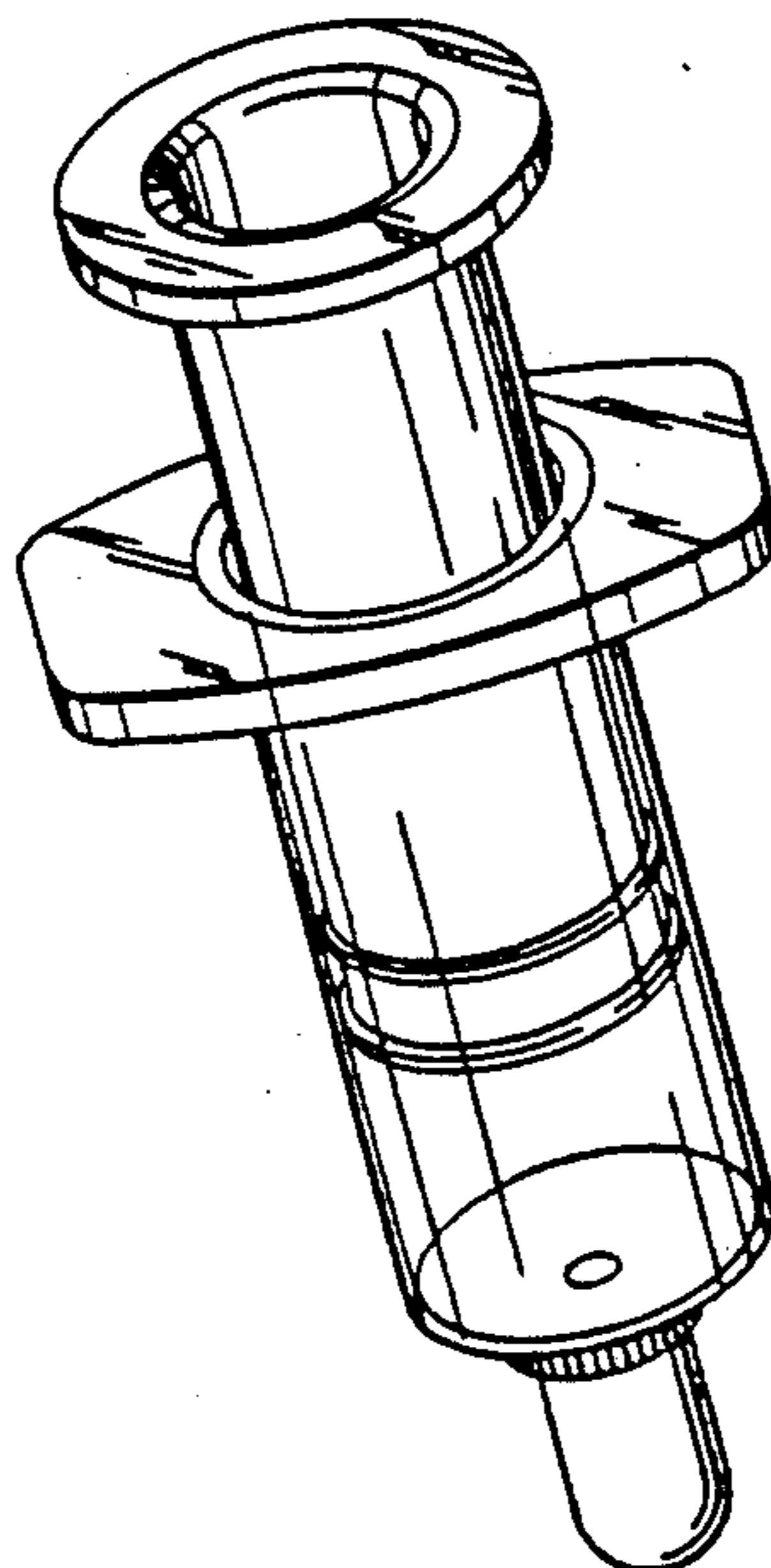


FIG. 6

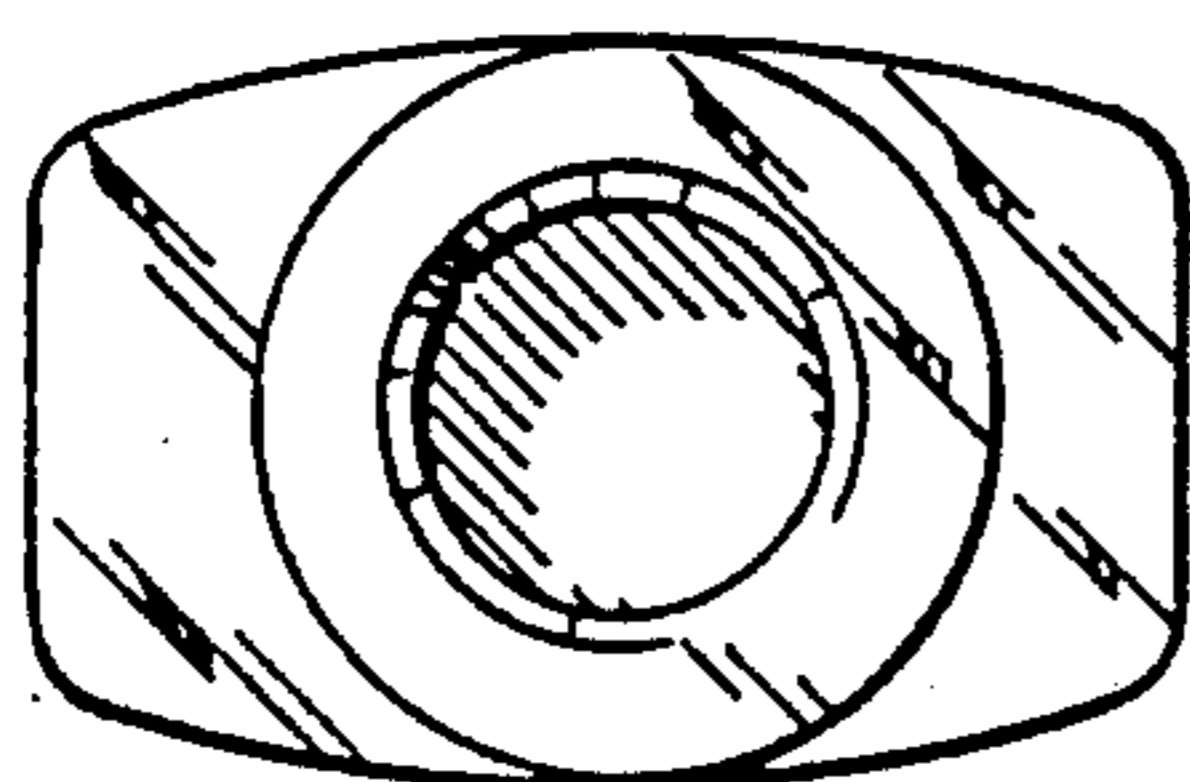


FIG. 9

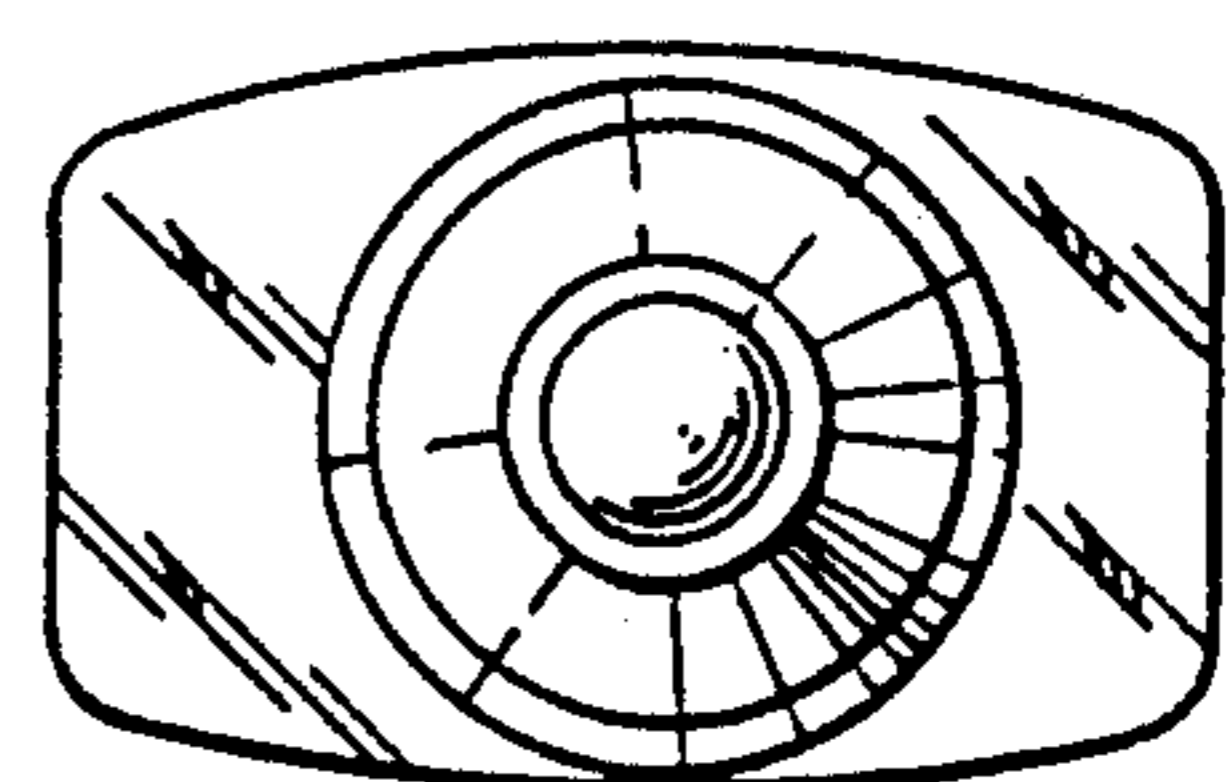


FIG. 10