



US00D323388S

United States Patent [19]

[11] Patent Number: **Des. 323,388**

Becker

[45] Date of Patent: **** Jan. 21, 1992**

[54] **TABLET**

[75] Inventor: **John W. Becker, Littleton, Colo.**

[73] Assignee: **Akzo N.V., Arnhem, Netherlands**

[**] Term: **14 Years**

[21] Appl. No.: **521,469**

[22] Filed: **May 9, 1990**

D. 285,484	9/1986	Tovey	D28/2
D. 286,085	10/1986	Tovey	D28/2
D. 309,506	7/1990	Shurkus	D28/2

Primary Examiner—Susan J. Lucas
Assistant Examiner—M. H. Tung
Attorney, Agent, or Firm—Donna Bobrowicz; William M. Blackstone

[57] **CLAIM**

The ornamental design for a tablet, as shown and described.

Related U.S. Application Data

[63] Continuation of Ser. No. 416,902, Oct. 4, 1989, Pat. No. 5,009,896.

[52] U.S. Cl. **D24/103**

[58] Field of Search **D28/1-3, D28/8.1, 8.2; 424/451, 457, 464, 465, 468, 469, 470, 472, 474**

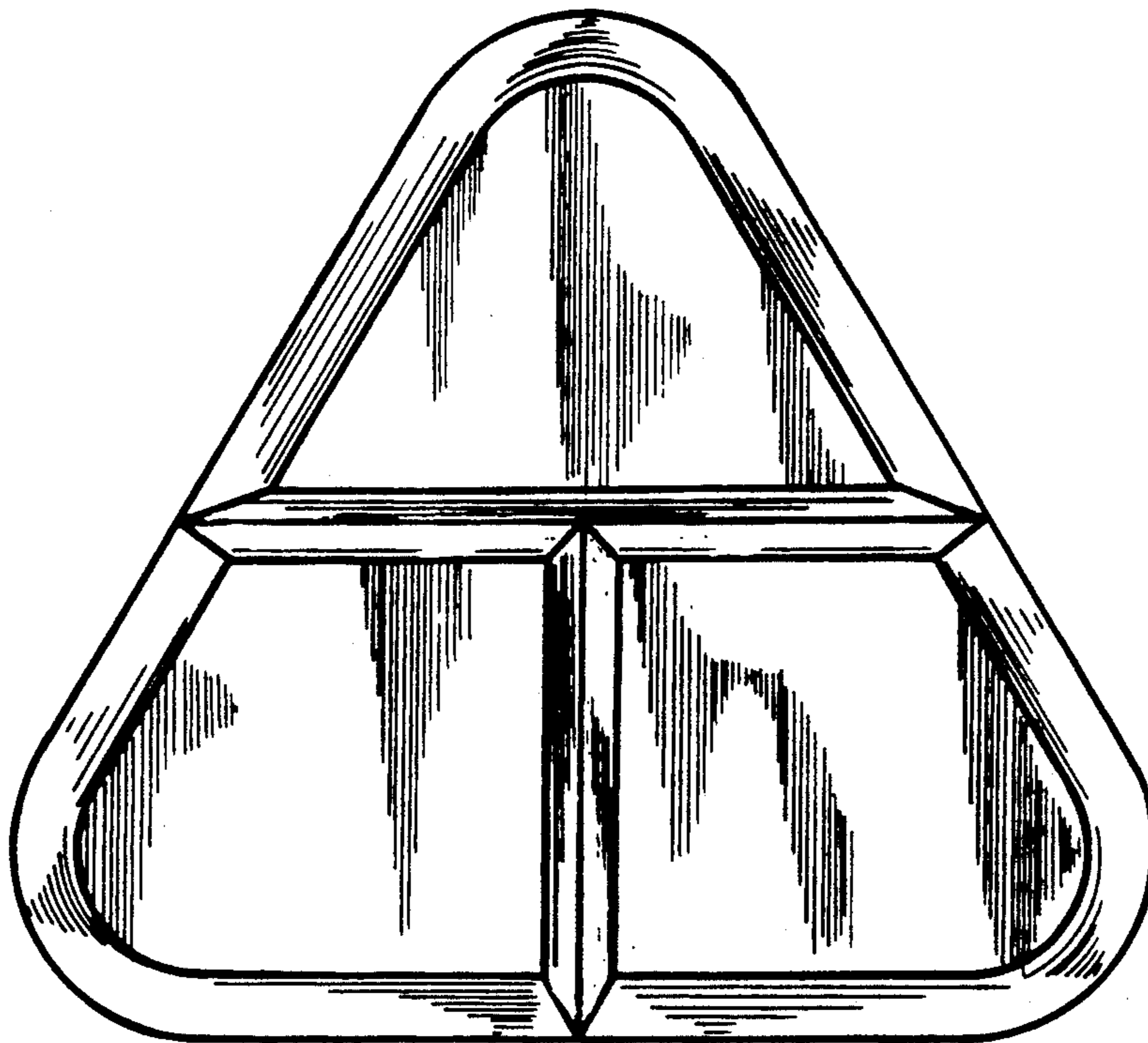
DESCRIPTION

FIG. 1 is a front elevational view of a tablet showing my new design;
FIG. 2 is a side elevational view thereof the other side being identical;
FIG. 3 is a rear elevational view thereof;
FIG. 4 is a front elevational view thereof;
FIG. 5 is a front elevational view of a second embodiment thereof;
FIG. 6 is a side elevational view thereof;
FIG. 7 is a rear elevational view thereof; and
FIG. 8 is a front perspective view thereof on an enlarged scale.

[56] **References Cited**

U.S. PATENT DOCUMENTS

30,699	5/1899	Trusler	D28/1
D. 229,049	11/1973	Roberts	D28/2
D. 270,786	10/1983	Handy et al.	D28/2 X
D. 270,921	10/1983	Morgan	D28/2 X



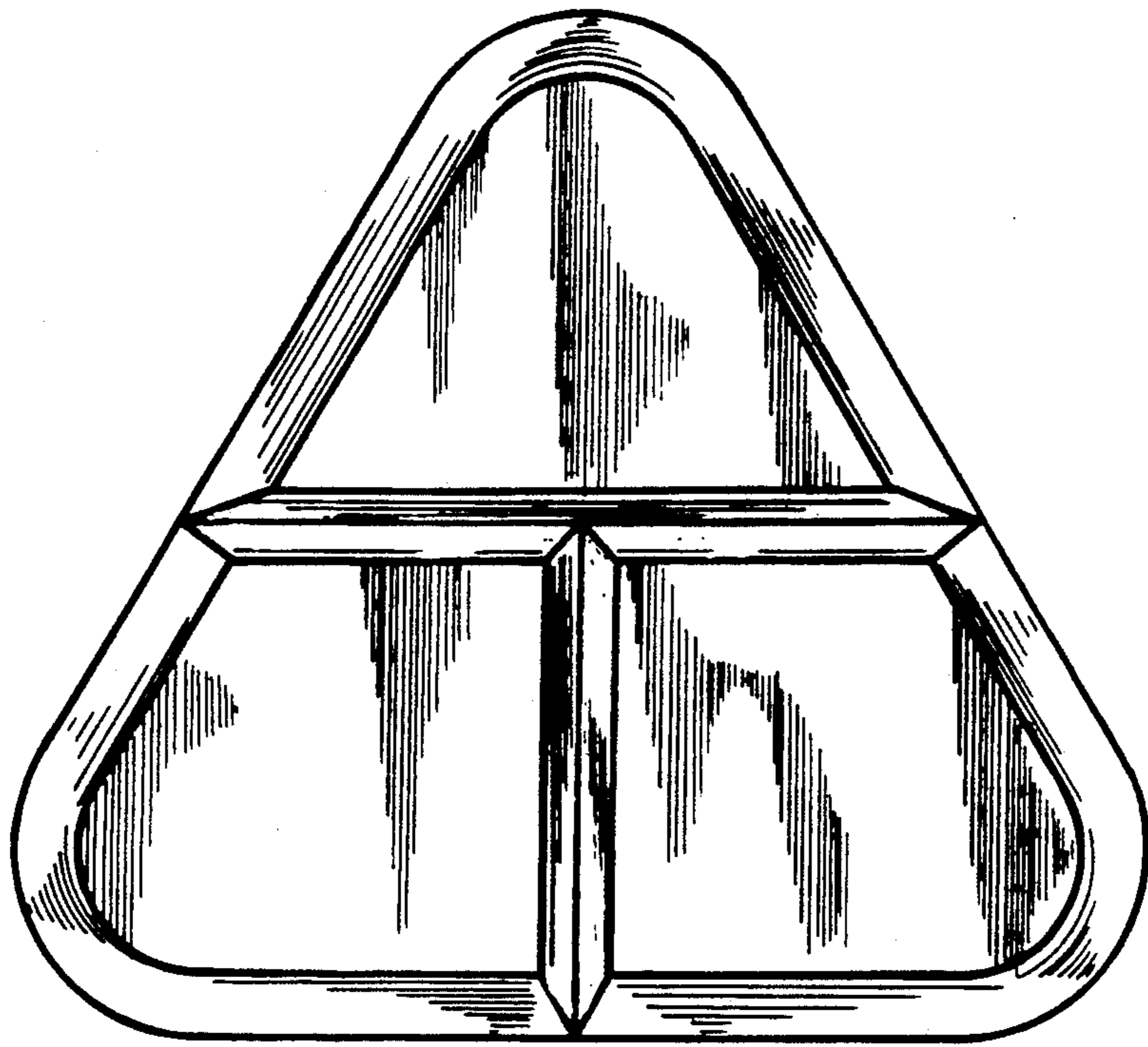


FIG. 1



FIG. 2

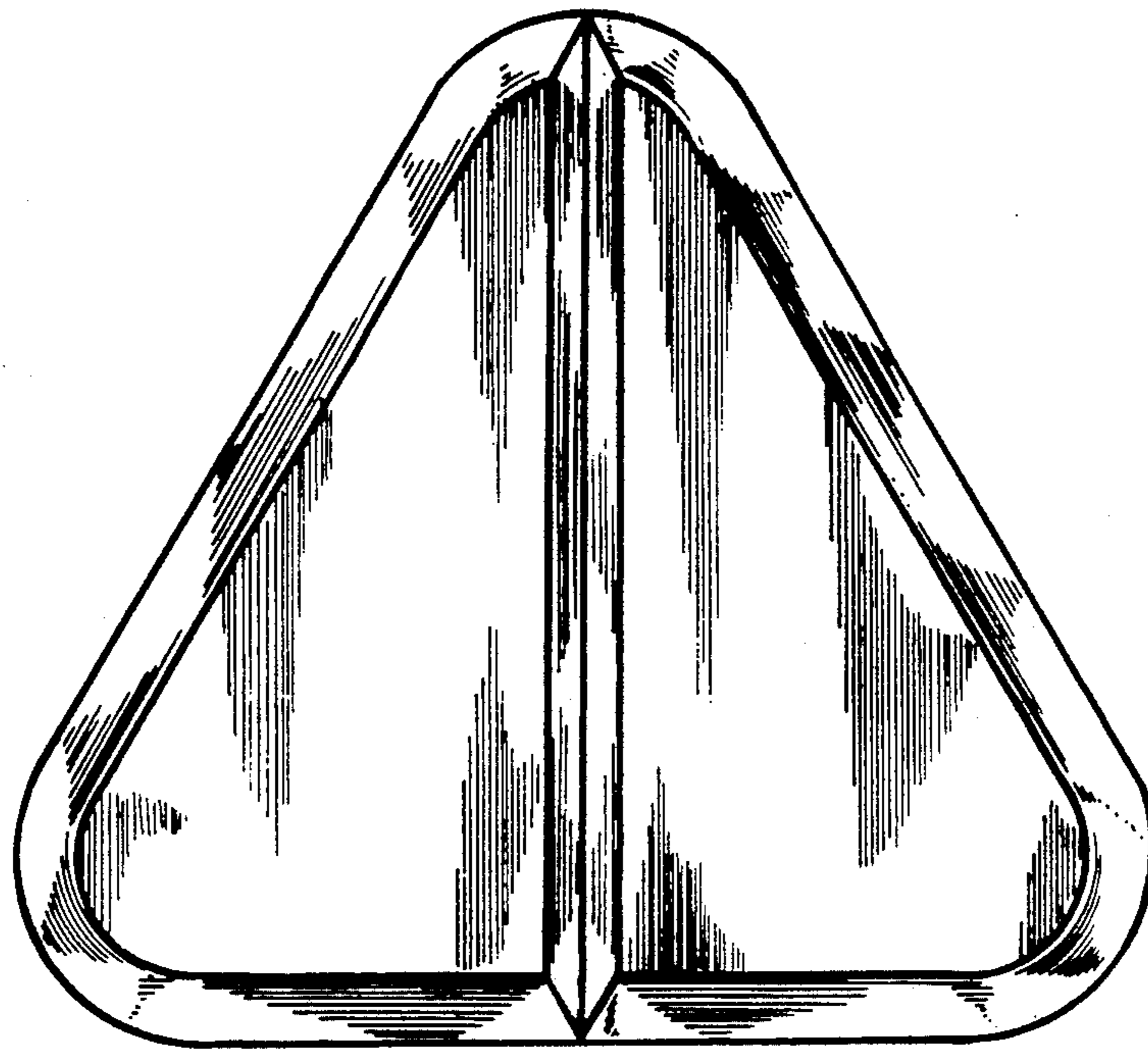


FIG. 3

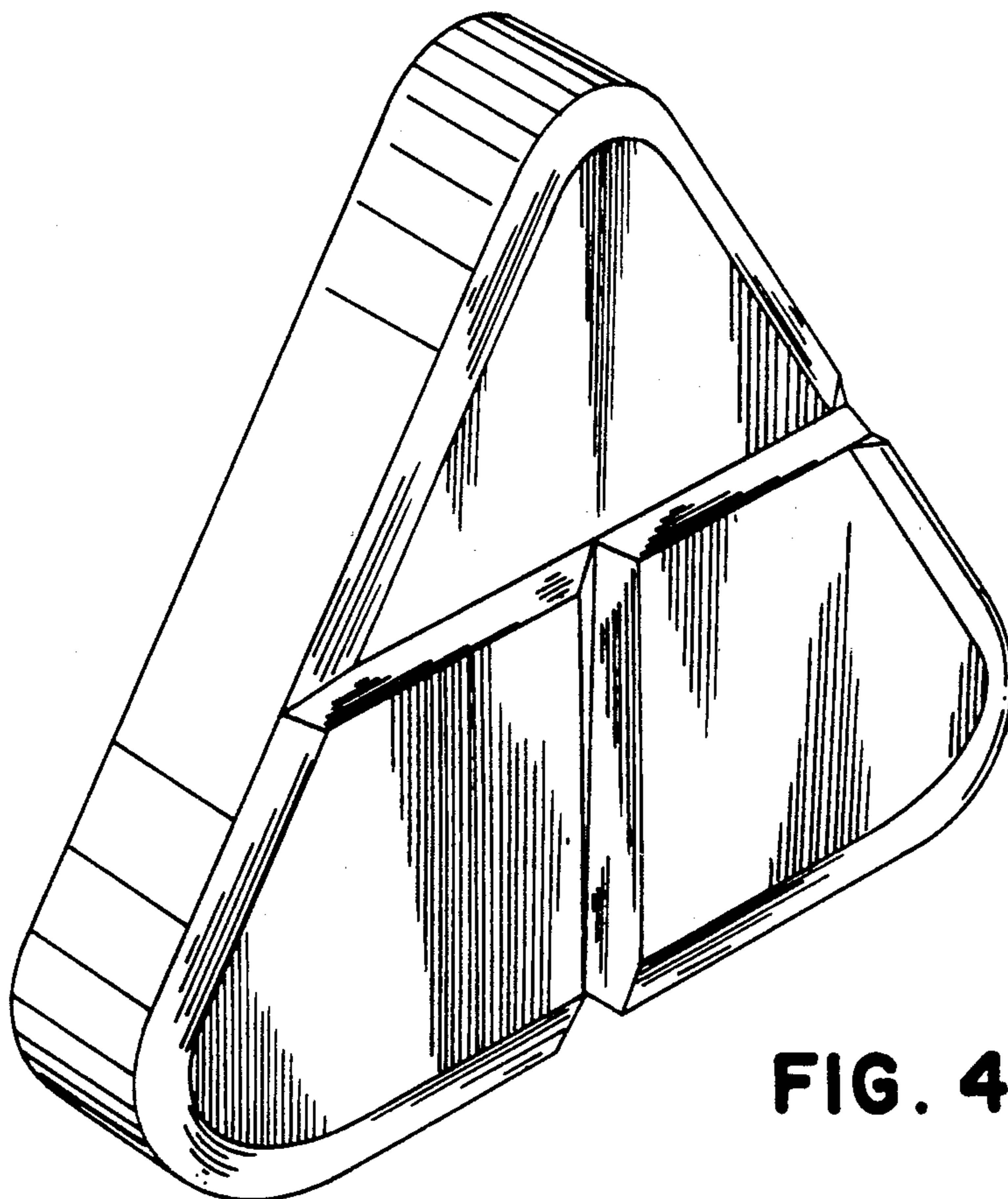


FIG. 4

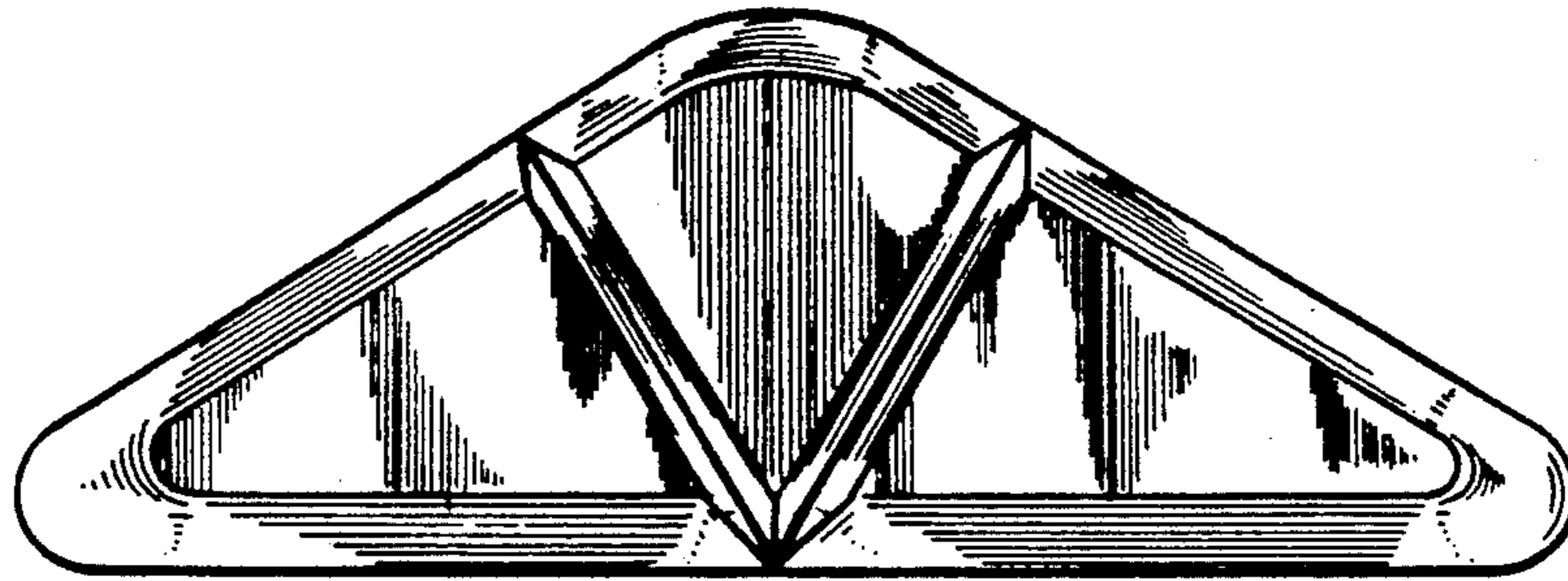


FIG. 5



FIG. 6

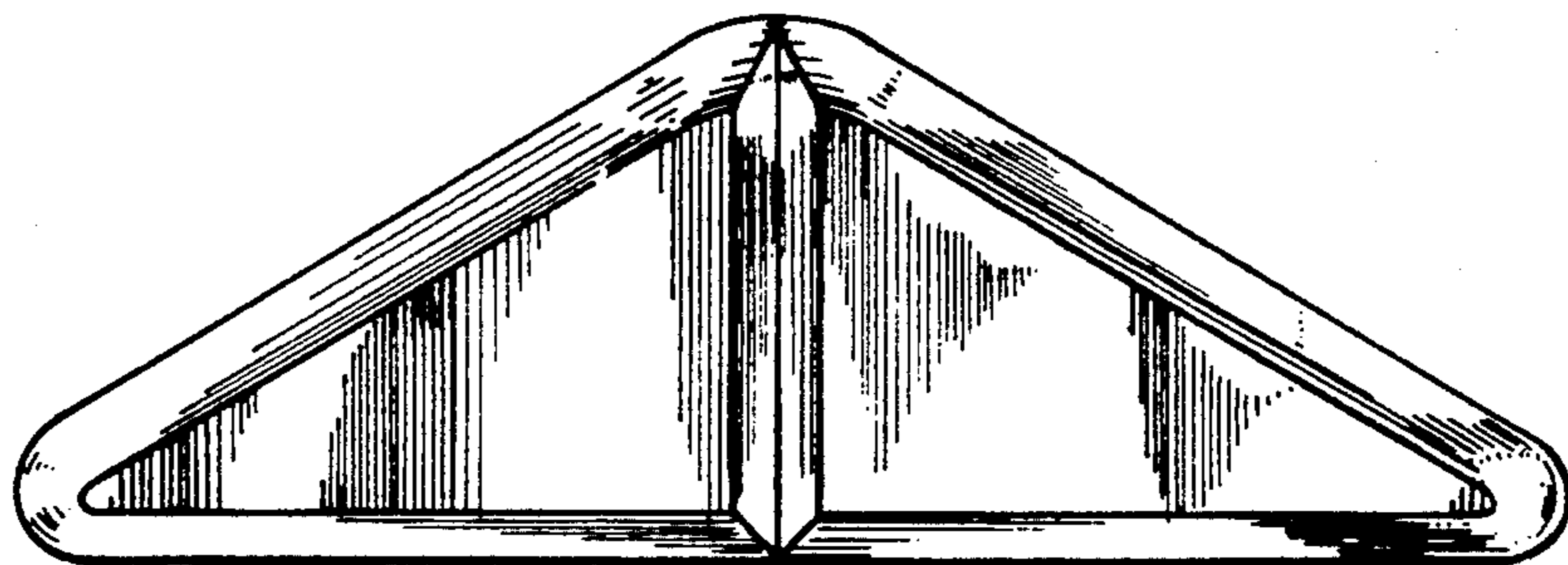


FIG. 7

