



US00D323386S

United States Patent [19]

Perusek

[11] Patent Number: **Des. 323,386**

[45] Date of Patent: **** Jan. 21, 1992**

[54] GANTRY FOR A MEDICAL CAMERA

[75] Inventor: **Allan J. Perusek, Mentor, Ohio**

[73] Assignee: **Adac Laboratories, Milpitas, Calif.**

[**] Term: **14 Years**

[21] Appl. No.: **145,181**

[22] Filed: **Jan. 19, 1988**

[52] U.S. Cl. **D24/159**

[58] Field of Search **D24/2, 3; 378/4, 21, 378/22, 23, 24, 25, 26, 27, 91, 208; 250/492.3**

4,827,496	5/1989	Cheney	378/208
4,829,252	5/1989	Kaufman	D24/2
4,917,344	4/1990	Prechter et al.	250/492.3

Primary Examiner—A. Hugo Word
Assistant Examiner—Celia A. Murphy
Attorney, Agent, or Firm—Townsend & Townsend

[57] CLAIM

The ornamental design for a gantry for a medical camera, as shown.

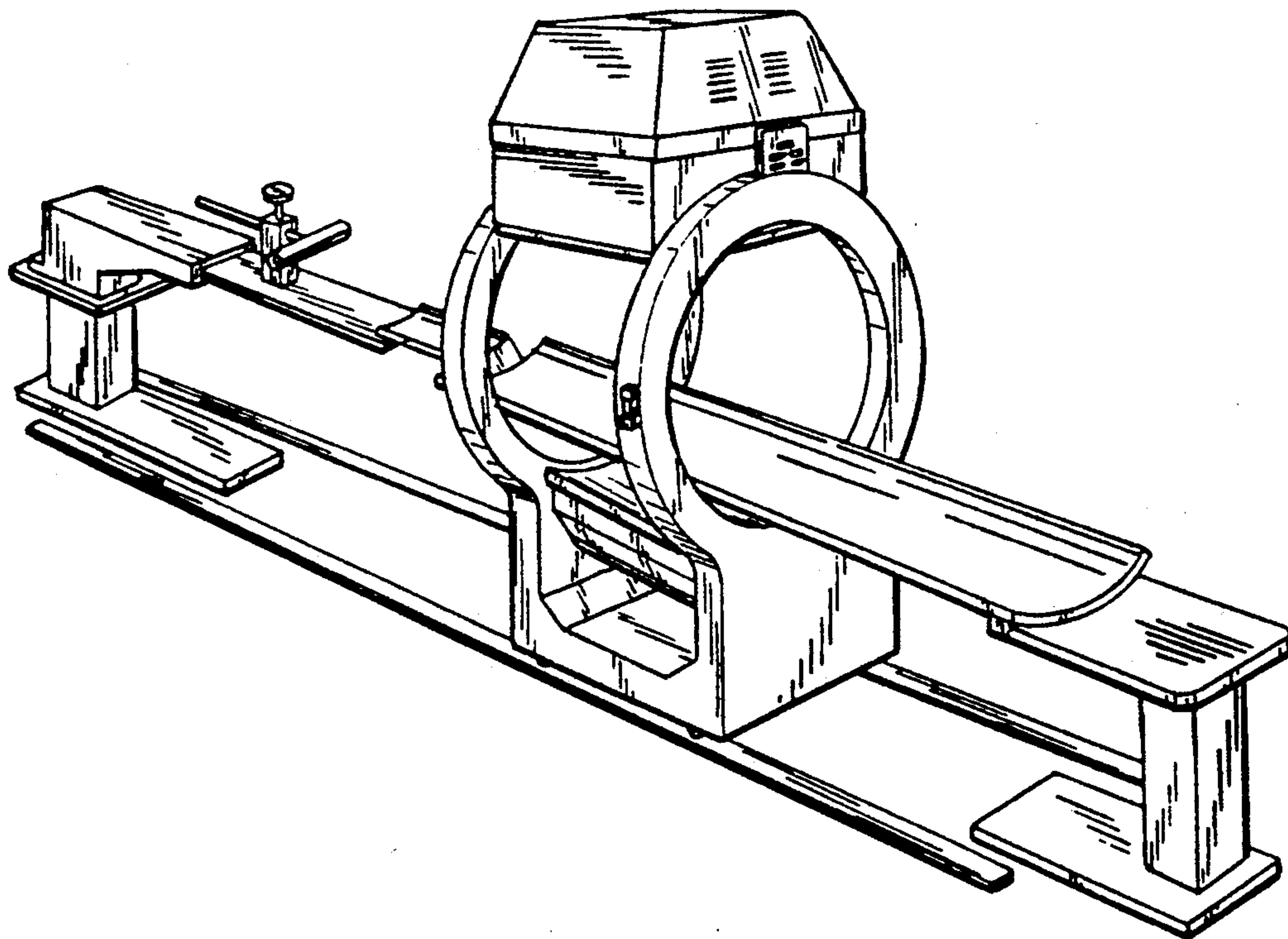
DESCRIPTION

FIG. 1 is a perspective view of a gantry for a medical camera, showing my new design; FIG. 2 is a front elevational view thereof; FIG. 3 is a rear elevational view thereof; FIG. 4 is a top plan view thereof; FIG. 5 is a right side elevational view thereof; FIG. 6 is a left side elevational view thereof; and FIG. 7 is a perspective view of an alternate embodiment of the design shown in FIG. 1.

[56] References Cited

U.S. PATENT DOCUMENTS

D. 109,880	5/1931	Simon	D24/2
D. 217,996	7/1970	Spranger	D24/2
D. 234,272	2/1975	Umezono	D24/2
D. 270,182	8/1983	Wagner	D24/2
2,680,199	6/1954	Abel	378/27



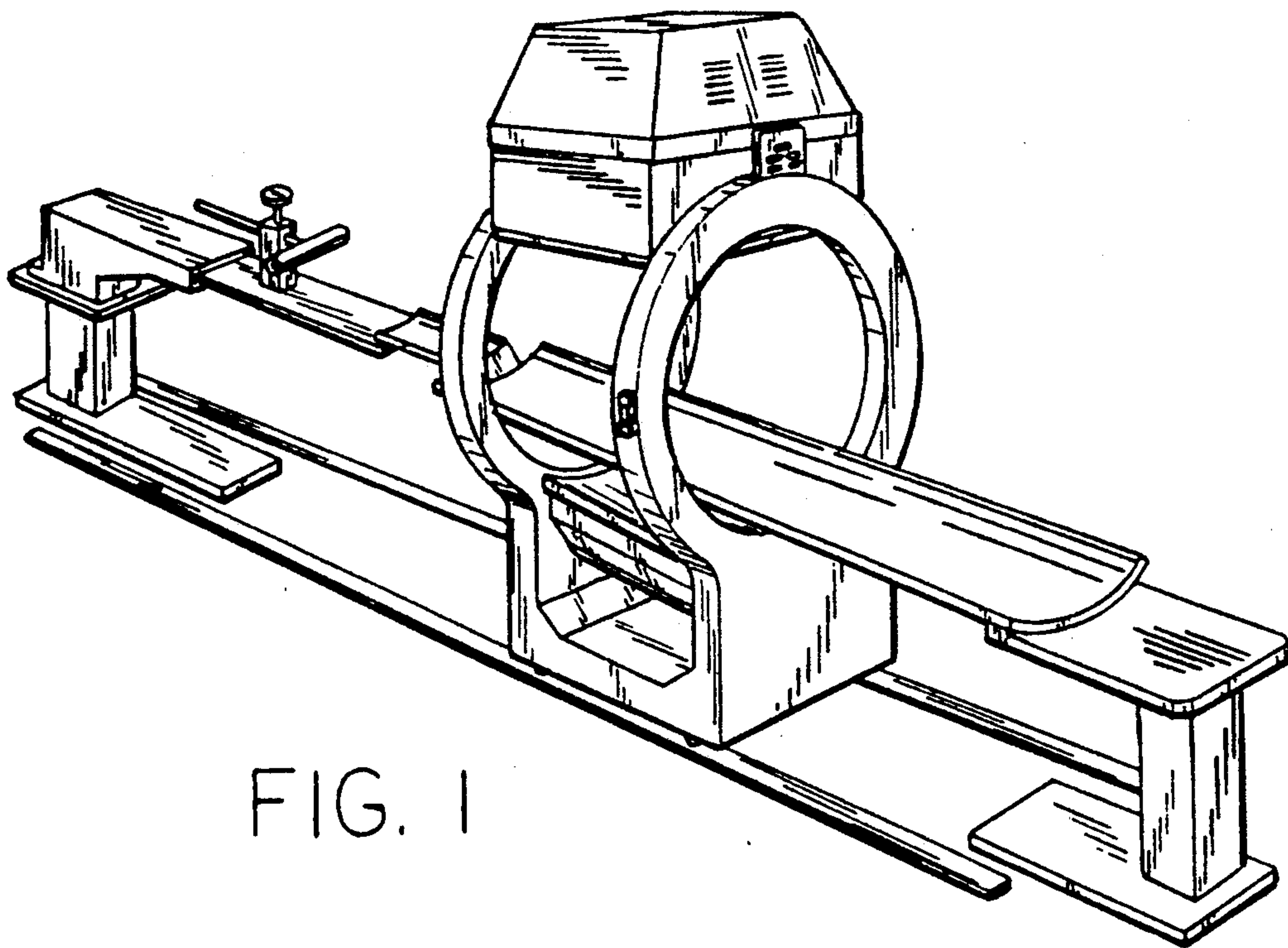


FIG. 1

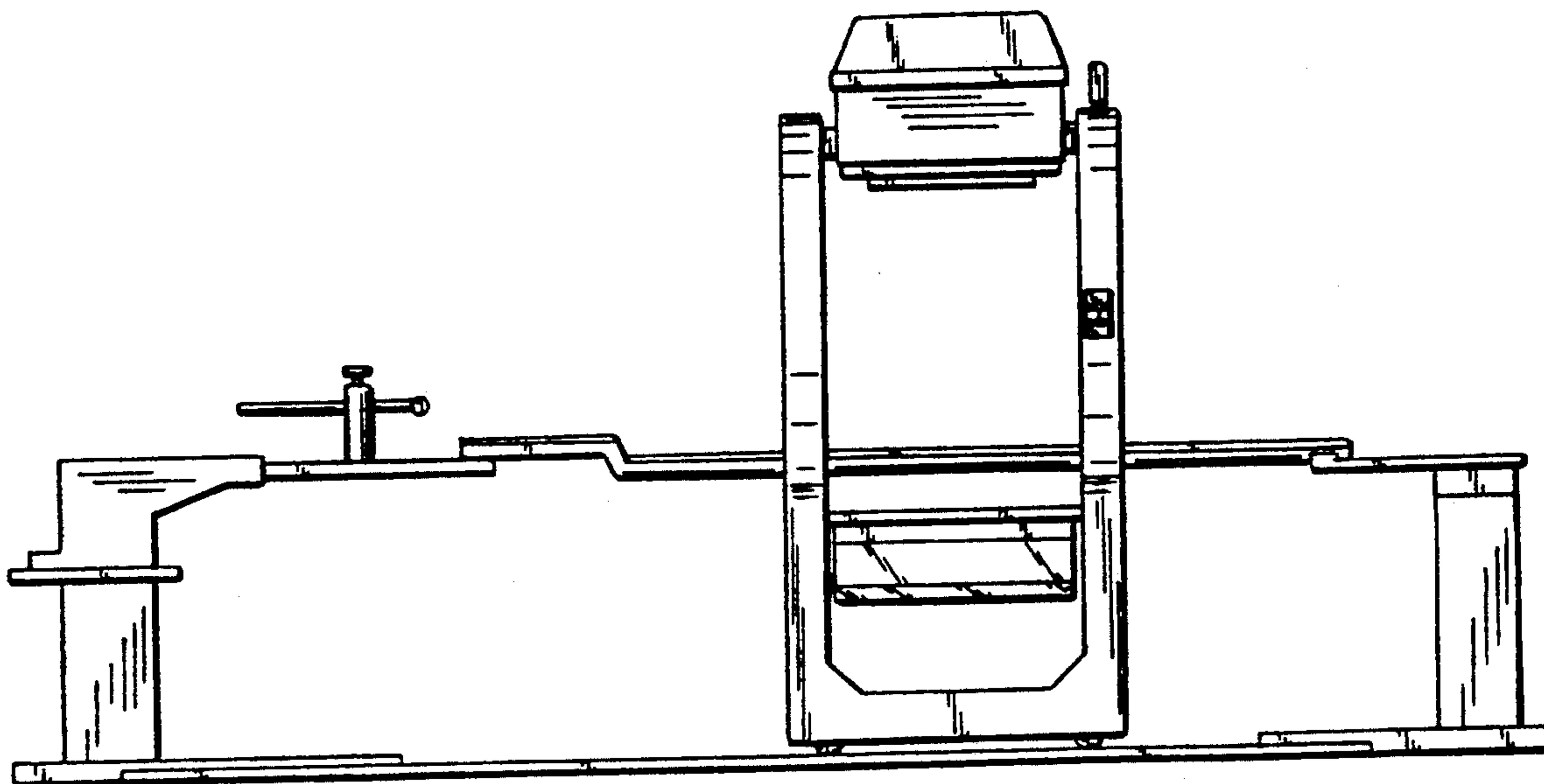


FIG. 2

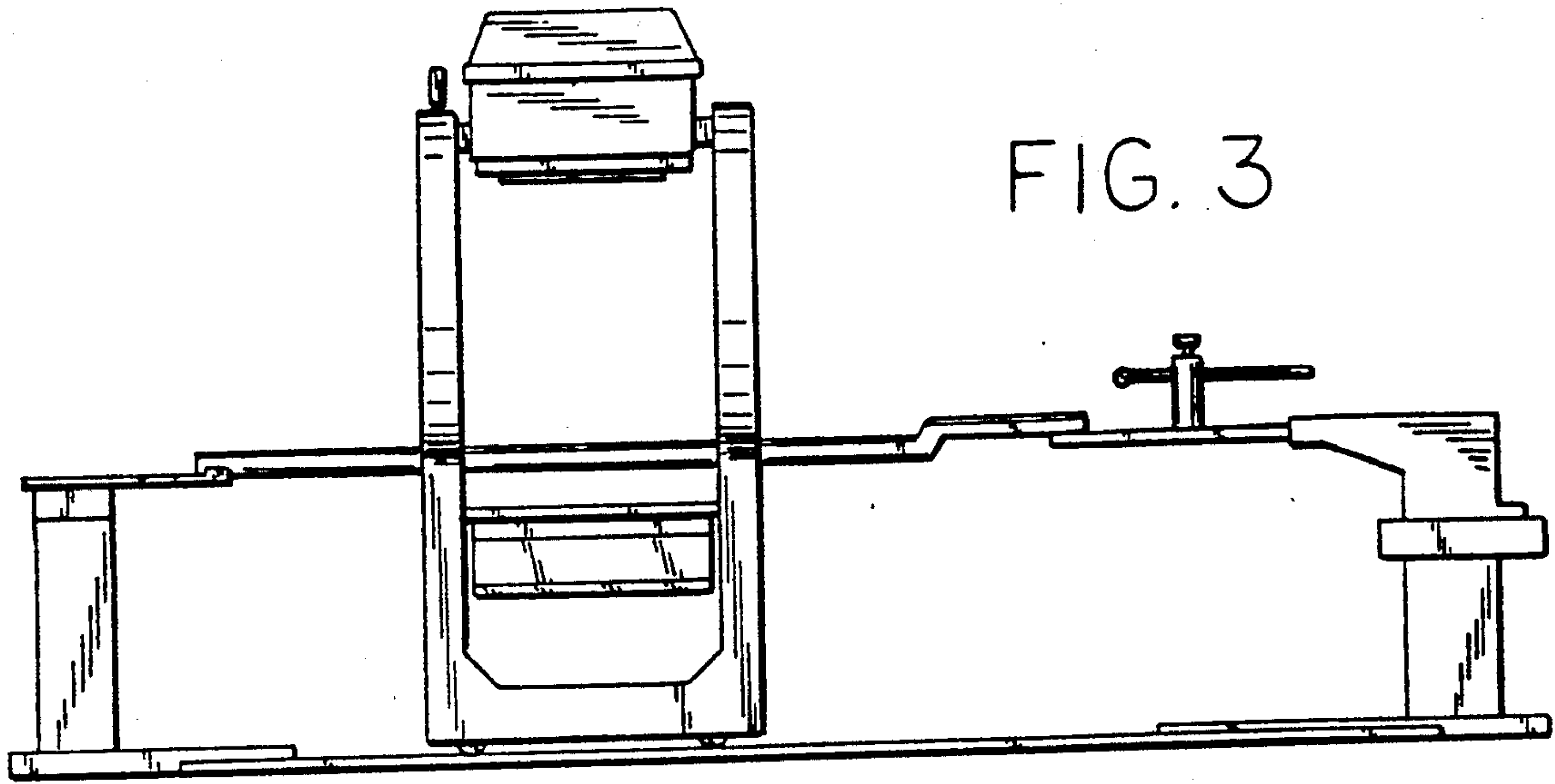


FIG. 3

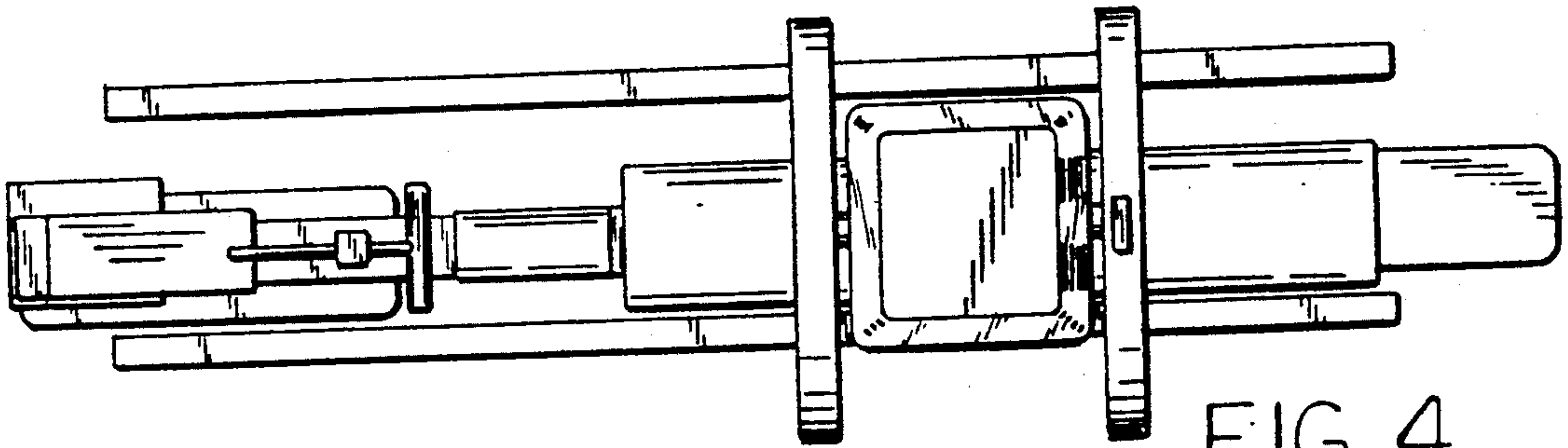


FIG. 4

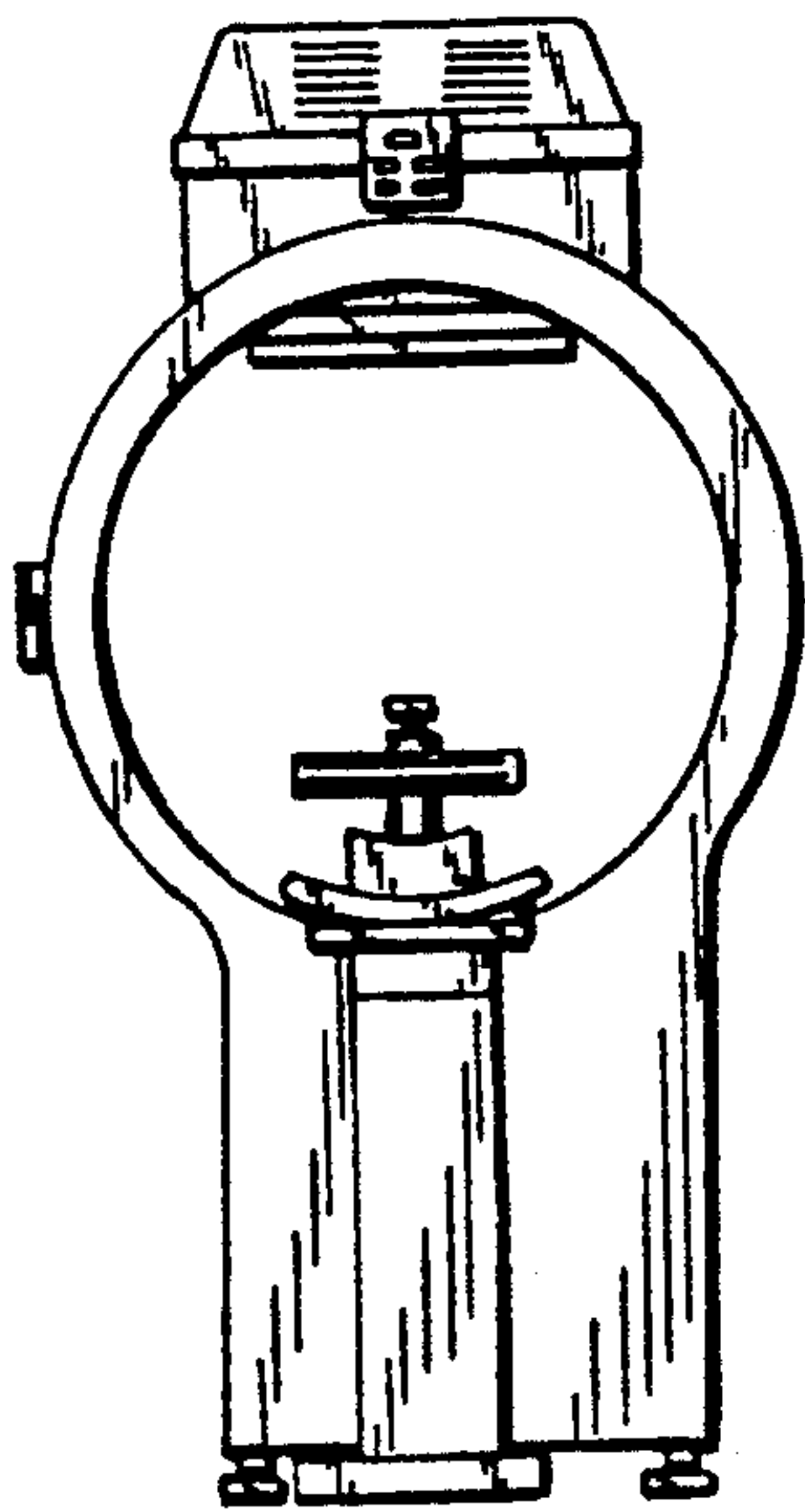


FIG. 5

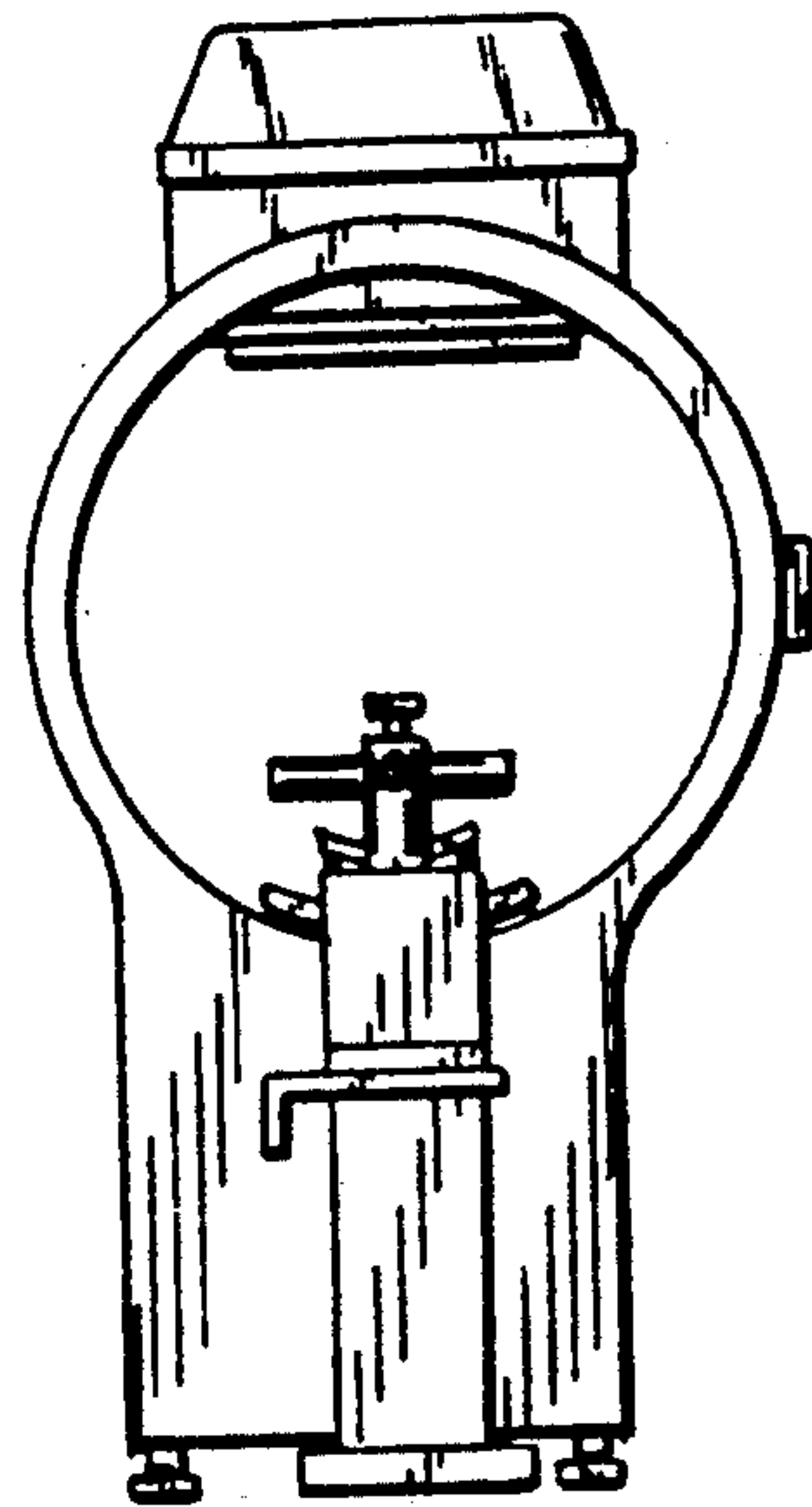


FIG. 6

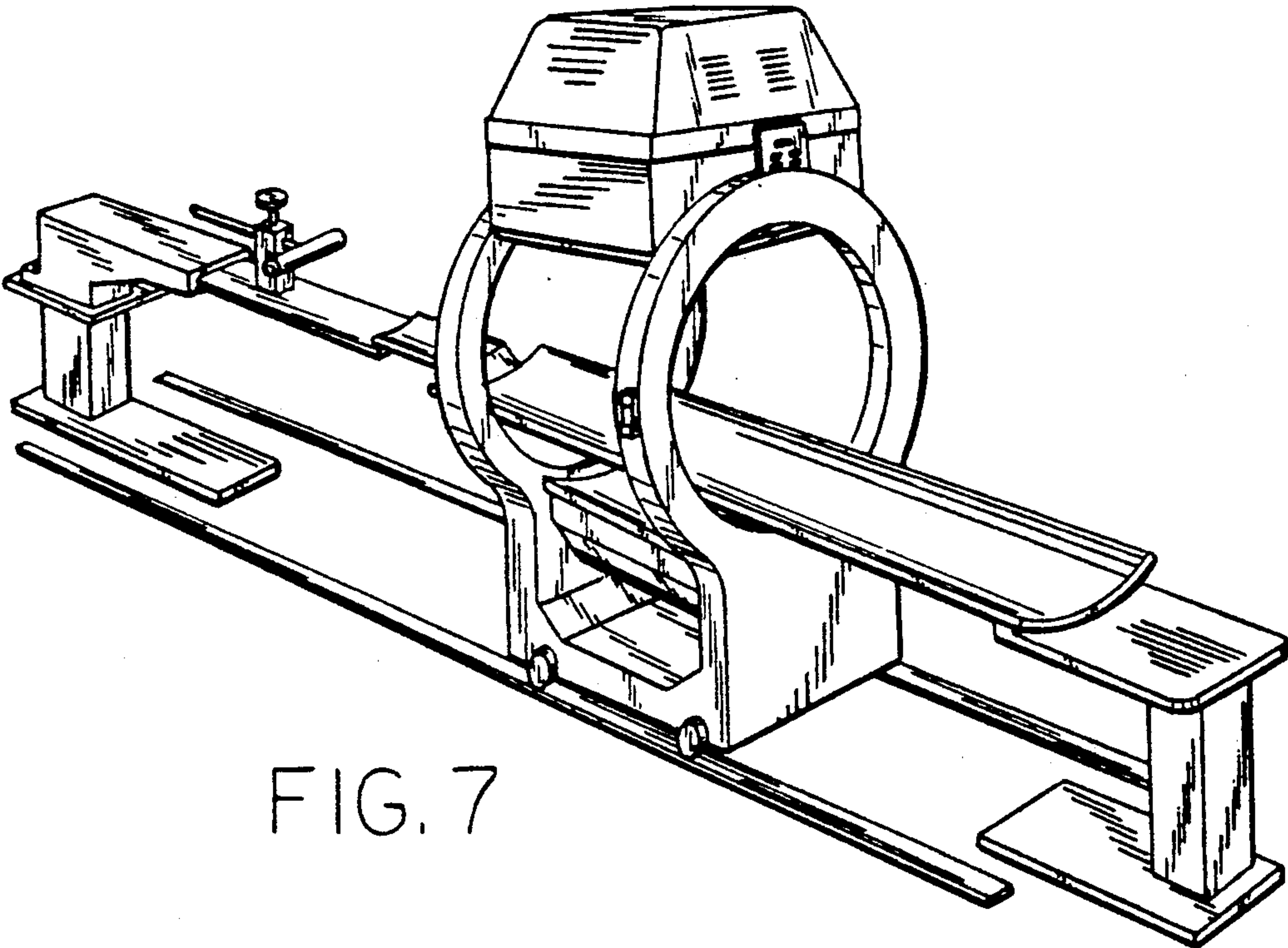


FIG. 7