



US00D323383S

United States Patent [19]

[11] Patent Number: **Des. 323,383**

Keays et al.

[45] Date of Patent: **** Jan. 21, 1992**

[54] **ATHLETIC BAG DEODERIZER CONTAINER**

[76] Inventors: **Jerome A. Keays**, R.R. #1,
Claremont, Pickering, Ontario,
Canada, L0H 1E0; **Randolph J.
Smith**, 84-24 Fundy Bay Blvd.,
Agincourt, Ontario, Canada, M1W
3A4

| | | | | |
|------------|---------|----------------|-------|-----------|
| D. 236,790 | 9/1975 | Bruno | | D7/624 X |
| D. 251,984 | 5/1979 | Gombert et al. | | D23/369 |
| 881,790 | 3/1908 | Gates | | 239/55 |
| 913,532 | 2/1909 | Miller | | 220/908 X |
| 1,687,830 | 4/1927 | Clevenger | | 239/57 X |
| 2,765,194 | 10/1956 | Will | | 239/59 |
| 4,475,654 | 10/1984 | Fruchter | | 220/521 X |
| 4,909,438 | 3/1990 | Viti | | 239/34 |

[**] Term: **14 Years**

[21] Appl. No.: **285,889**

[22] Filed: **Dec. 16, 1988**

[30] **Foreign Application Priority Data**

Nov. 3, 1988 [CA] Canada 3-11-88-5

[52] U.S. Cl. **D23/366**

[58] Field of Search D23/366-369,
D23/207-210; 239/34-60; D9/349, 355,
359-365, 366, 367, 390, 392, 398, 399, 400, 414,
419, 424, 435, 447; D7/591, 596, 597; 222/478

[56] **References Cited**

U.S. PATENT DOCUMENTS

79,599 7/1868 Reakirt 215/1 R

FOREIGN PATENT DOCUMENTS

24970 of 1912 United Kingdom 239/55

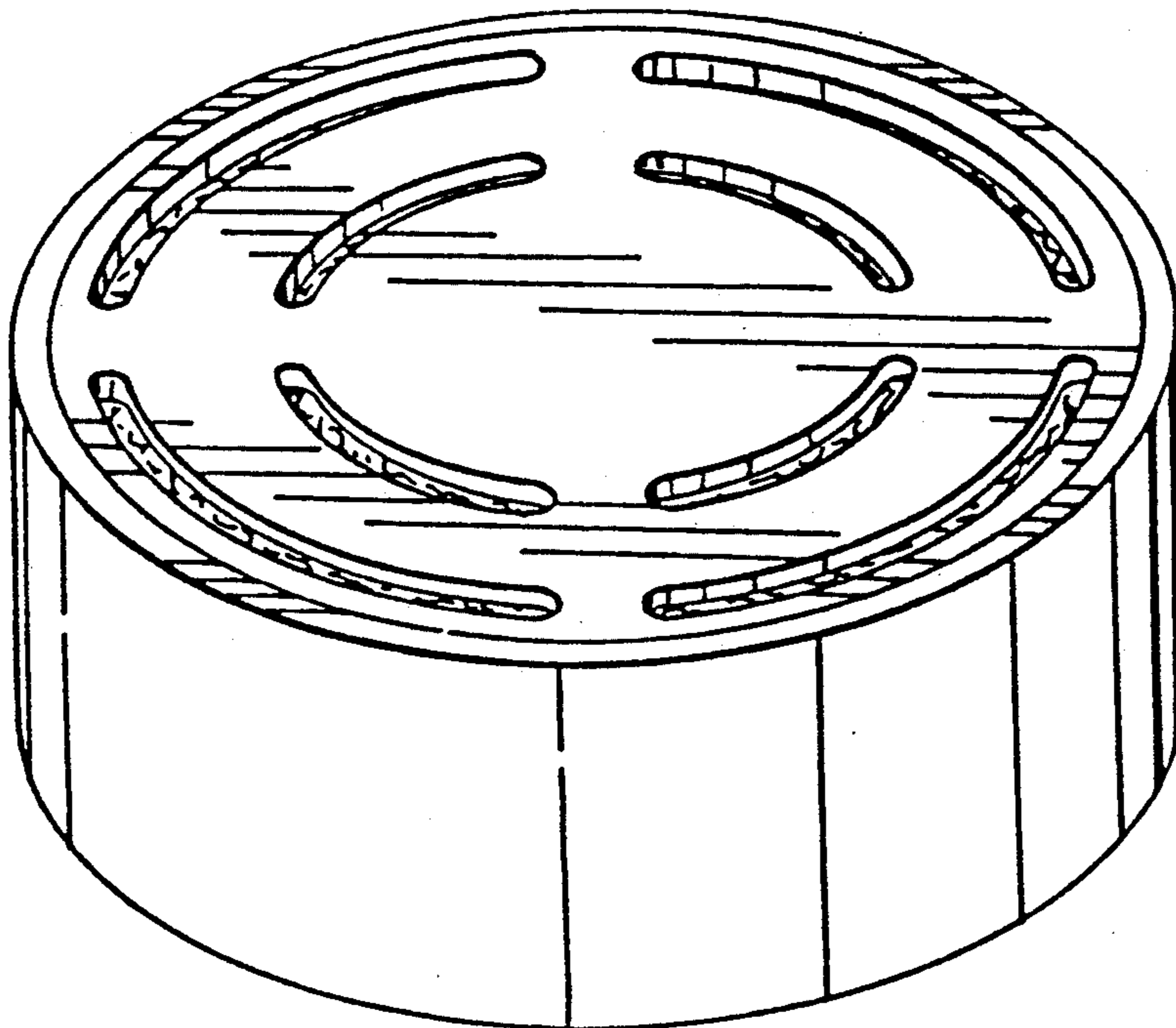
Primary Examiner—Bernard Ansher
Assistant Examiner—Lucy Lieberman
Attorney, Agent, or Firm—Rogers, Bereskin & Parr

[57] **CLAIM**

The ornamental design for an athletic bag deodorizer container, as shown.

DESCRIPTION

FIG. 1 is a front perspective view from above of an athletic bag deodorizer container showing our new design; and FIG. 2 is a rear perspective view from below of the athletic bag deodorizer container.



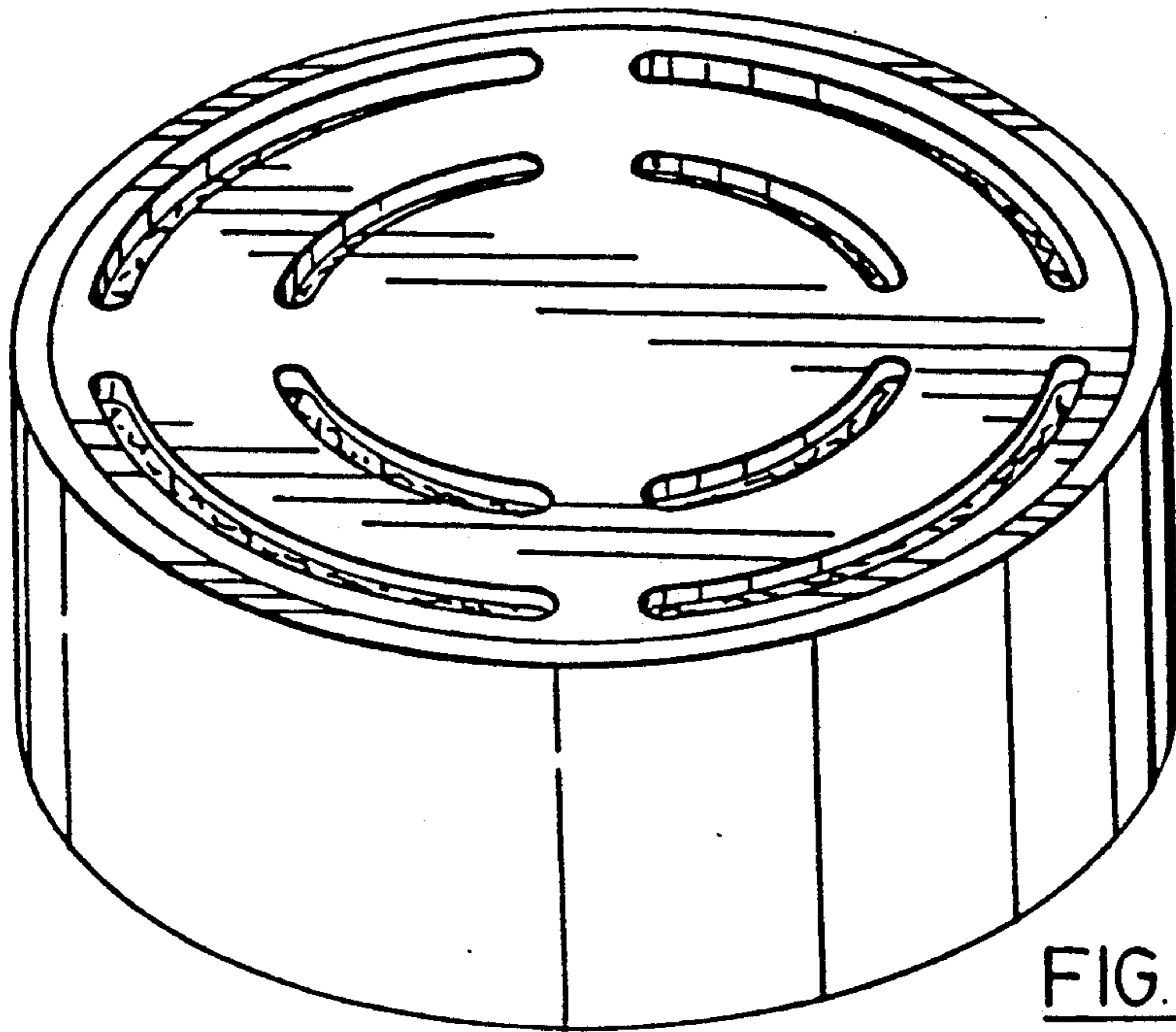


FIG. 1

FIG. 2

