



US00D323378S

United States Patent [19]

[11] Patent Number: **Des. 323,378**

Delepine

[45] Date of Patent: **** Jan. 21, 1992**

[54] BATH TUB

[76] Inventor: **Jean-Claude Delepine, 23, rue Clapeyron, 75008 Paris, France**

[**] Term: **14 Years**

[21] Appl. No.: **298,008**

[22] Filed: **Jan. 18, 1989**

[30] Foreign Application Priority Data

Aug. 3, 1988 [XH] Hague DM/011490

[52] U.S. Cl. **D23/281**

[58] Field of Search **D23/270-283, D23/303-307; 4/513, 538-544, 584, 589, 590, 546, 555, 559, 571-579**

[56] References Cited

U.S. PATENT DOCUMENTS

- D. 214,270 5/1969 Bonsack D23/55
- D. 234,547 3/1975 Nicollet D83/1 C
- D. 237,616 11/1975 Gordon D23/277
- D. 240,084 5/1976 Melchior D23/55 X
- D. 241,643 9/1976 Bonsack D23/55
- D. 250,828 1/1979 Clement D23/55
- D. 250,829 1/1979 Clement D23/55
- D. 250,830 1/1979 Clement D23/55
- D. 250,962 1/1979 Bonsack D23/55
- D. 253,367 11/1979 Weaver D23/55
- D. 254,387 3/1980 Ogden D23/55
- D. 254,447 3/1980 Rhineman D23/277 X
- D. 255,382 6/1980 Beebe et al. D23/281 X
- D. 260,288 8/1981 D'Innocente et al. D24/38
- D. 260,429 8/1981 Myers D24/38
- D. 264,505 5/1982 Reineman D24/38
- D. 264,626 5/1982 D'Innocente et al. D23/277 X
- D. 267,198 12/1982 Huguet D24/38

- D. 267,271 12/1982 Kingsley et al. D24/38
- D. 271,522 11/1983 Wiley D24/38
- D. 274,835 7/1984 Gruber D23/55
- D. 277,985 3/1985 Kingsley D24/38
- D. 284,890 7/1986 Delepine D24/38
- D. 286,811 11/1986 Diamond D23/55
- D. 287,620 1/1987 Delepine D24/38
- D. 290,390 6/1987 Diamond D23/69
- D. 290,995 7/1987 Diamond D23/69
- 1,284,171 11/1918 Barnhart .
- 1,315,643 9/1919 Schwartz .
- 1,962,076 10/1933 Jatkowski 4/173
- 2,529,568 11/1950 O'Hara 4/173
- 2,569,825 10/1951 Otis 5/590
- 3,693,194 9/1972 Schindler et al. 4/513 X
- 4,233,694 11/1980 Janosko et al. 4/542
- 4,339,833 7/1982 Mandell 4/542
- 4,466,141 8/1984 Starkey 4/488

FOREIGN PATENT DOCUMENTS

- 418820 3/1947 Italy 4/584

Primary Examiner—Susan J. Lucas

Attorney, Agent, or Firm—Fisher, Christen & Sabol

[57] CLAIM

The ornamental design for a bath tub, as shown and described.

DESCRIPTION

FIG. 1 is a top plan view of a bath tub showing my new design;
 FIG. 2 is a cross-sectional view thereof as taken along line 2—2 in FIG. 1;
 FIG. 3 is a top perspective view thereof;
 FIG. 4 is a left side elevational view thereof, the right side being a mirror image; and
 FIG. 5 is a rear elevational view thereof.

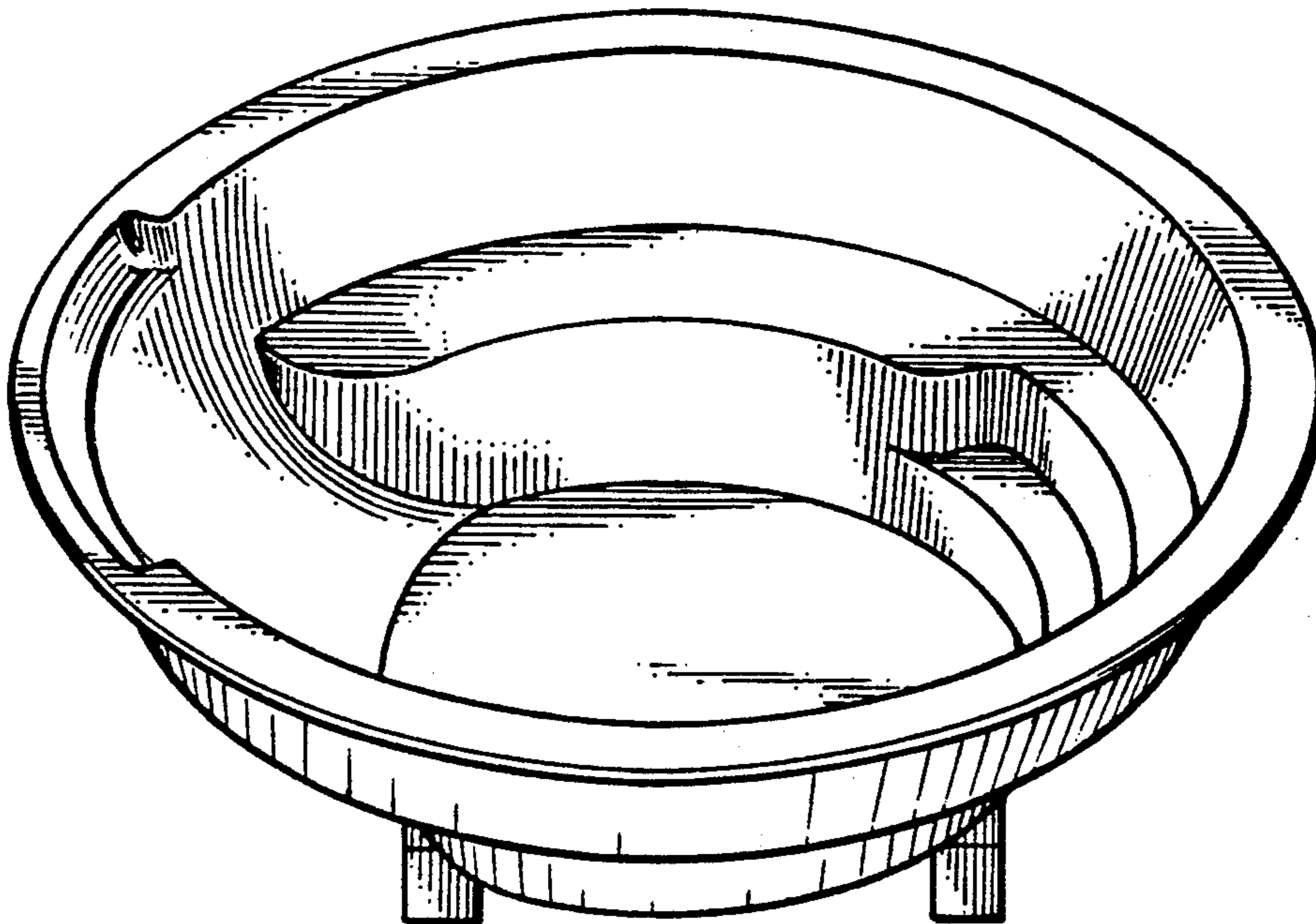


FIG. 1

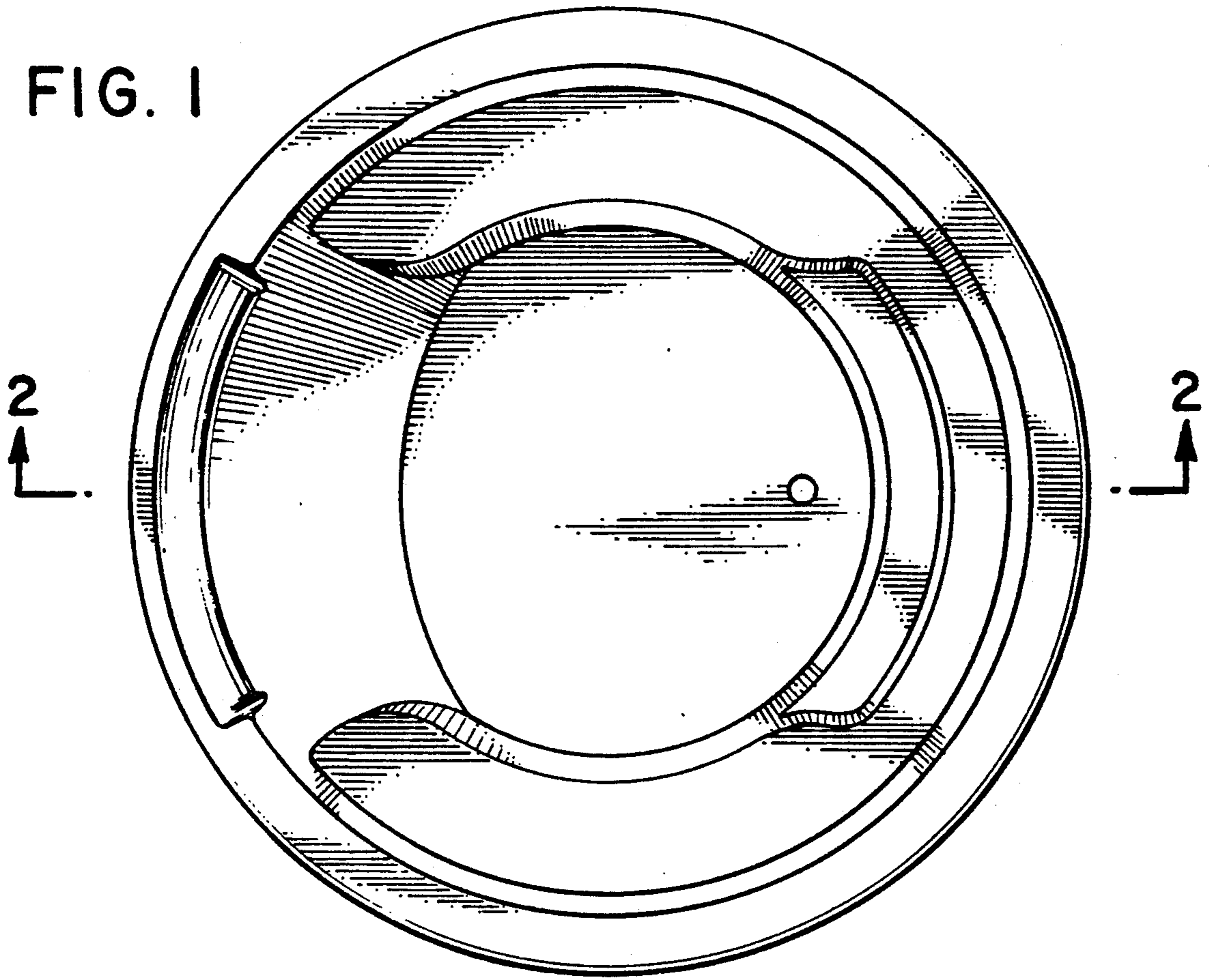


FIG. 3

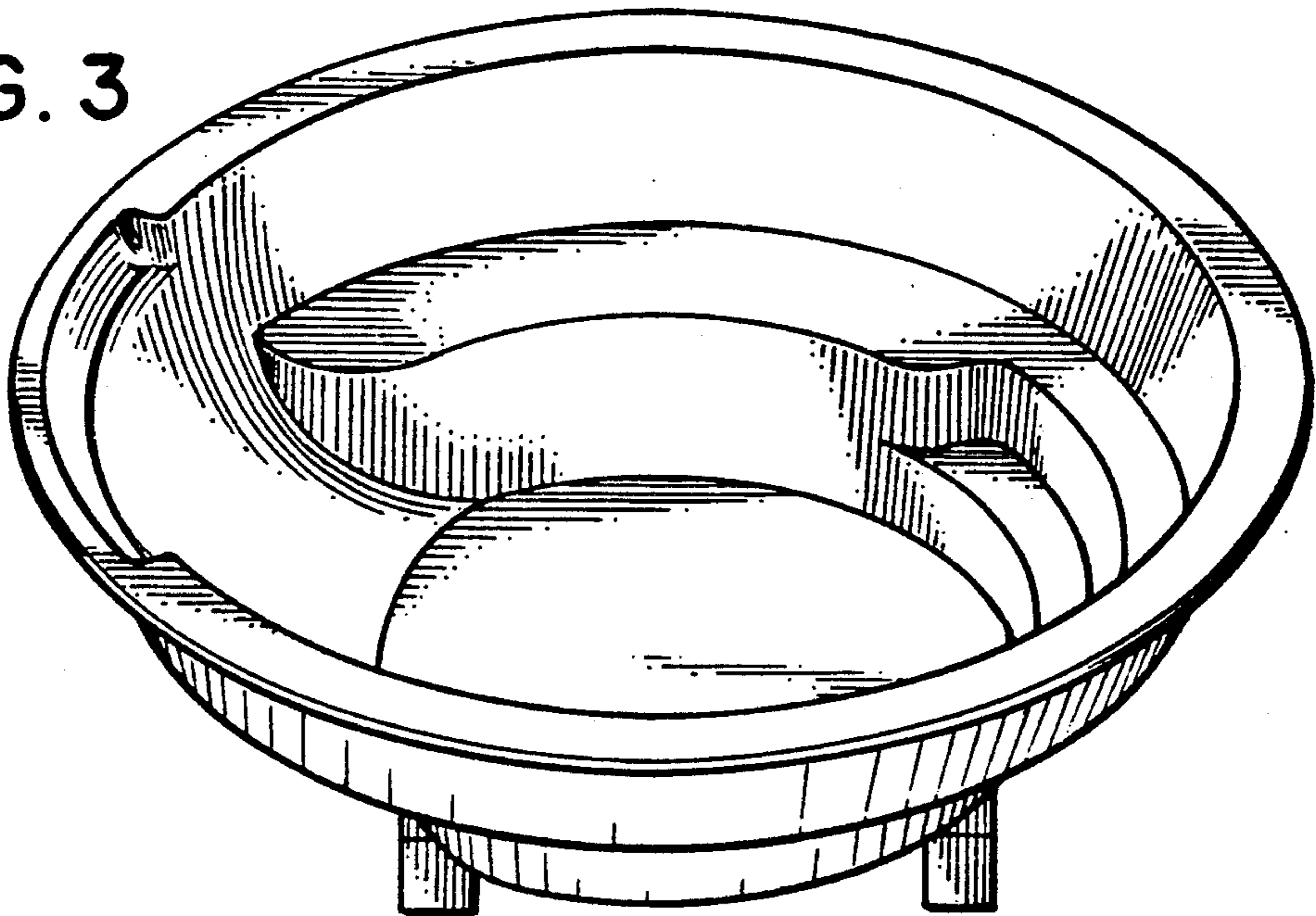


FIG. 2

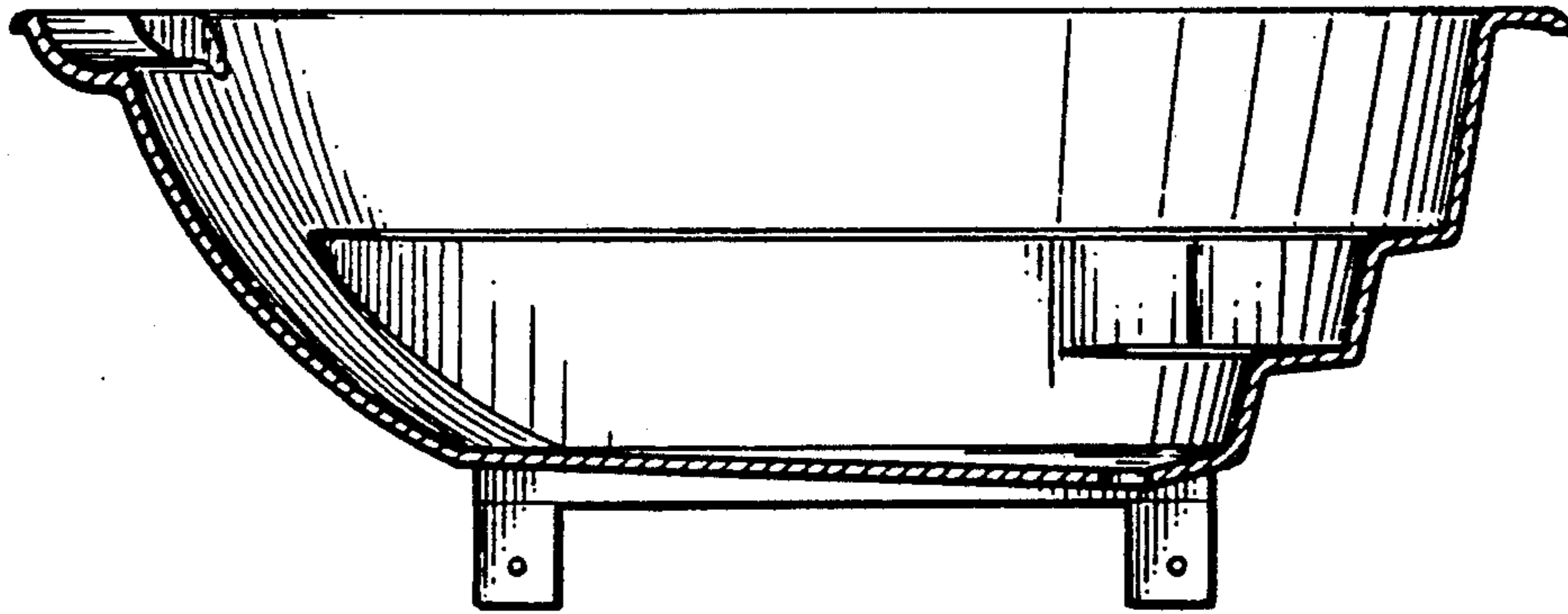


FIG. 4

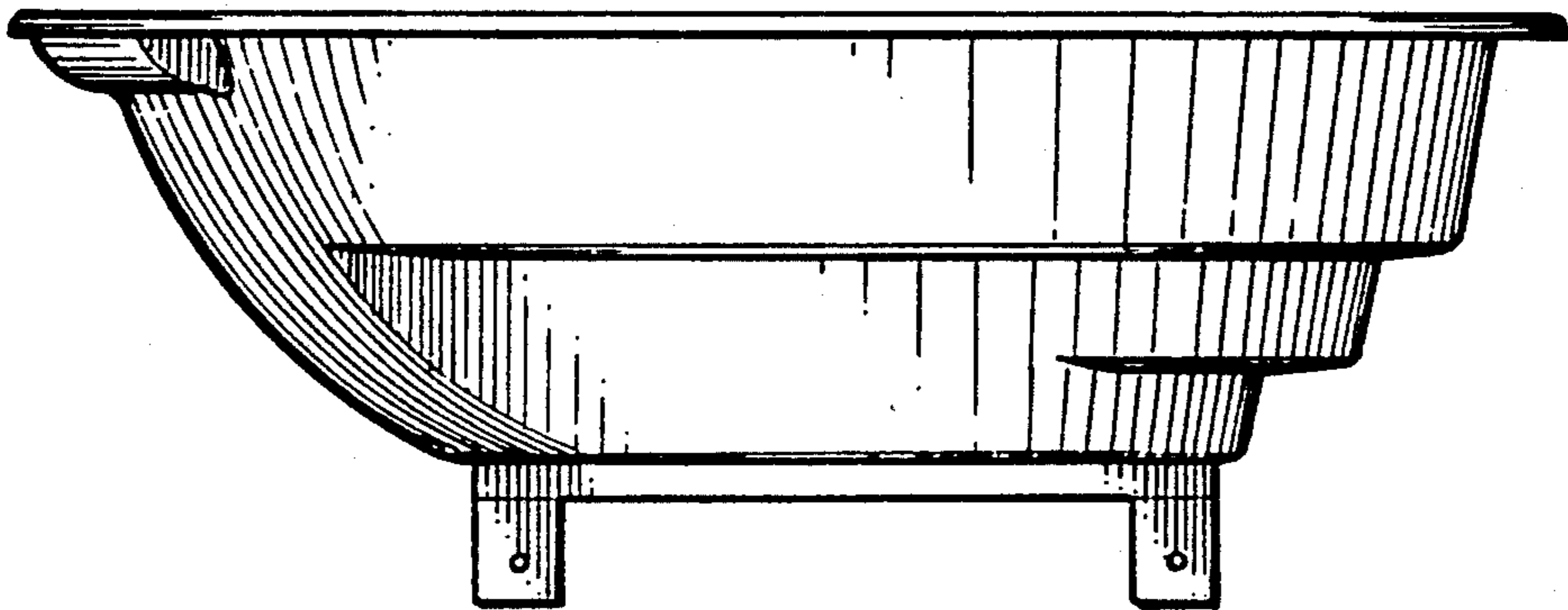


FIG. 5

