



US00D323376S

# United States Patent [19]

[11] Patent Number: **Des. 323,376**

**Fukuchi**

[45] Date of Patent: **\*\* Jan. 21, 1992**

[54] **KNIFE GATE VALVE**

[75] Inventor: **Masaharu Fukuchi, Shiga, Japan**

[73] Assignee: **Okumura Engineering Works Co., Ltd., Shiga, Japan**

[\*\*] Term: **14 Years**

[21] Appl. No.: **252,360**

[22] Filed: **Sep. 30, 1988**

[52] U.S. Cl. .... **D23/244**

[58] Field of Search ..... **D23/244, 263; 251/326, 251/327, 329**

3,353,786	11/1967	Combes .....	251/329
3,386,151	6/1968	Combes .....	251/329
3,921,957	11/1975	Freeman .....	251/327
4,651,973	3/1987	Oliver .....	251/329
4,679,770	7/1987	Lieberman .....	251/329 X
4,881,719	11/1989	Bowman .....	251/326 X

*Primary Examiner—James R. Largen*  
*Attorney, Agent, or Firm—Koda and Androlia*

### [57] CLAIM

The ornamental design for a knife gate valve, as shown and described.

### DESCRIPTION

FIG. 1 is a perspective view taken from the top, front and right side of a knife gate valve showing my new design;

FIG. 2 is a front elevational view thereof;

FIG. 3 is a rear elevational view thereof;

FIG. 4 is a top plan view thereof;

FIG. 5 is a bottom plan view thereof;

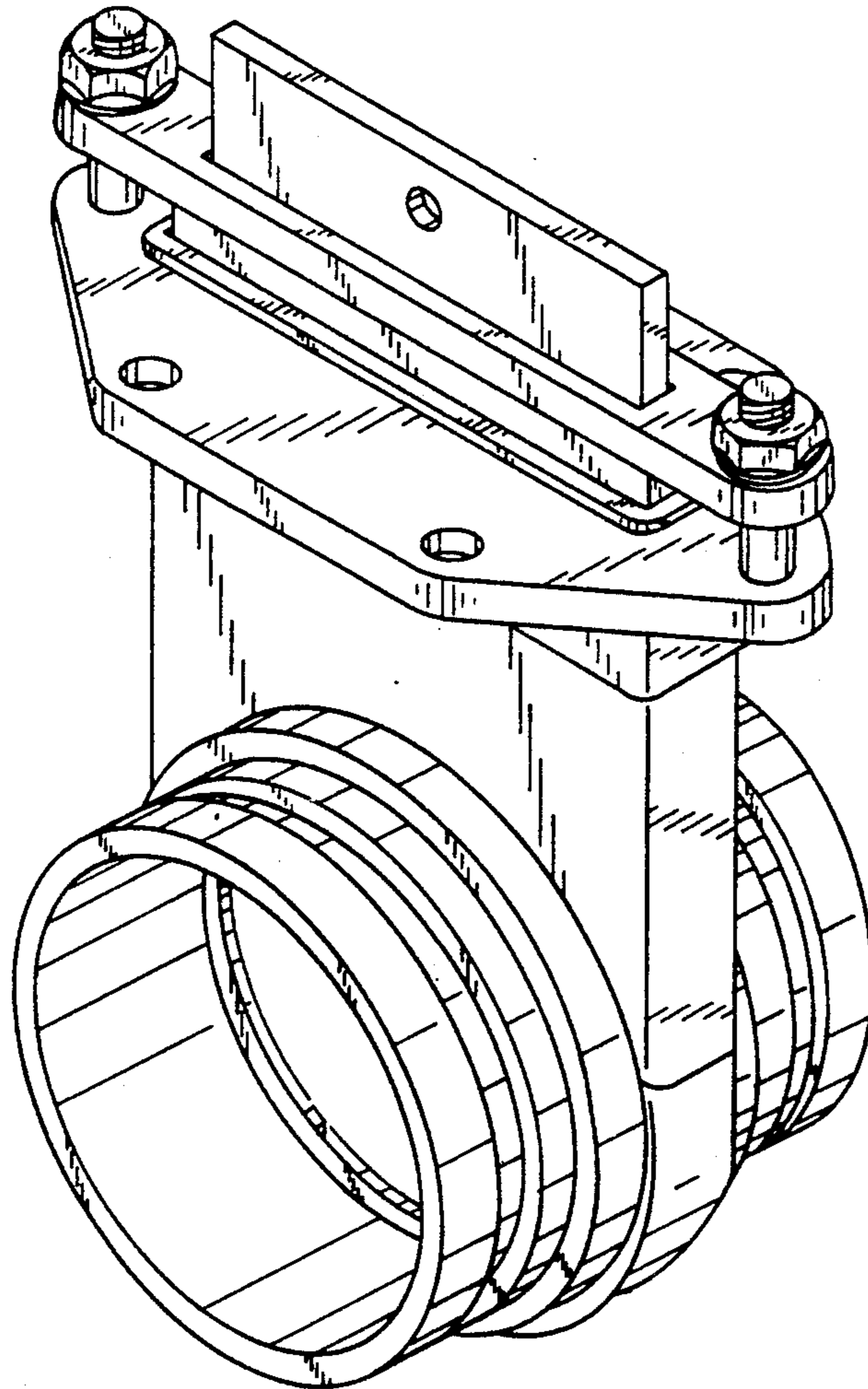
FIG. 6 is a right side elevational view thereof, the left side being a mirror image of the side shown; and

FIG. 7 is a vertical sectional view taken along line 7—7 of FIG. 4.

### [56] References Cited

#### U.S. PATENT DOCUMENTS

1,054,150	2/1913	Thorsby .....	251/329
1,801,960	4/1931	Houser .....	251/327
2,449,145	9/1948	Rosmait .....	251/327
2,913,220	11/1959	Cover .....	251/327
3,001,758	9/1961	Ringgenberg .....	251/329
3,069,129	12/1962	Grove .....	251/329
3,158,352	11/1964	Grove .....	251/329
3,333,814	8/1967	Sargent .....	251/326



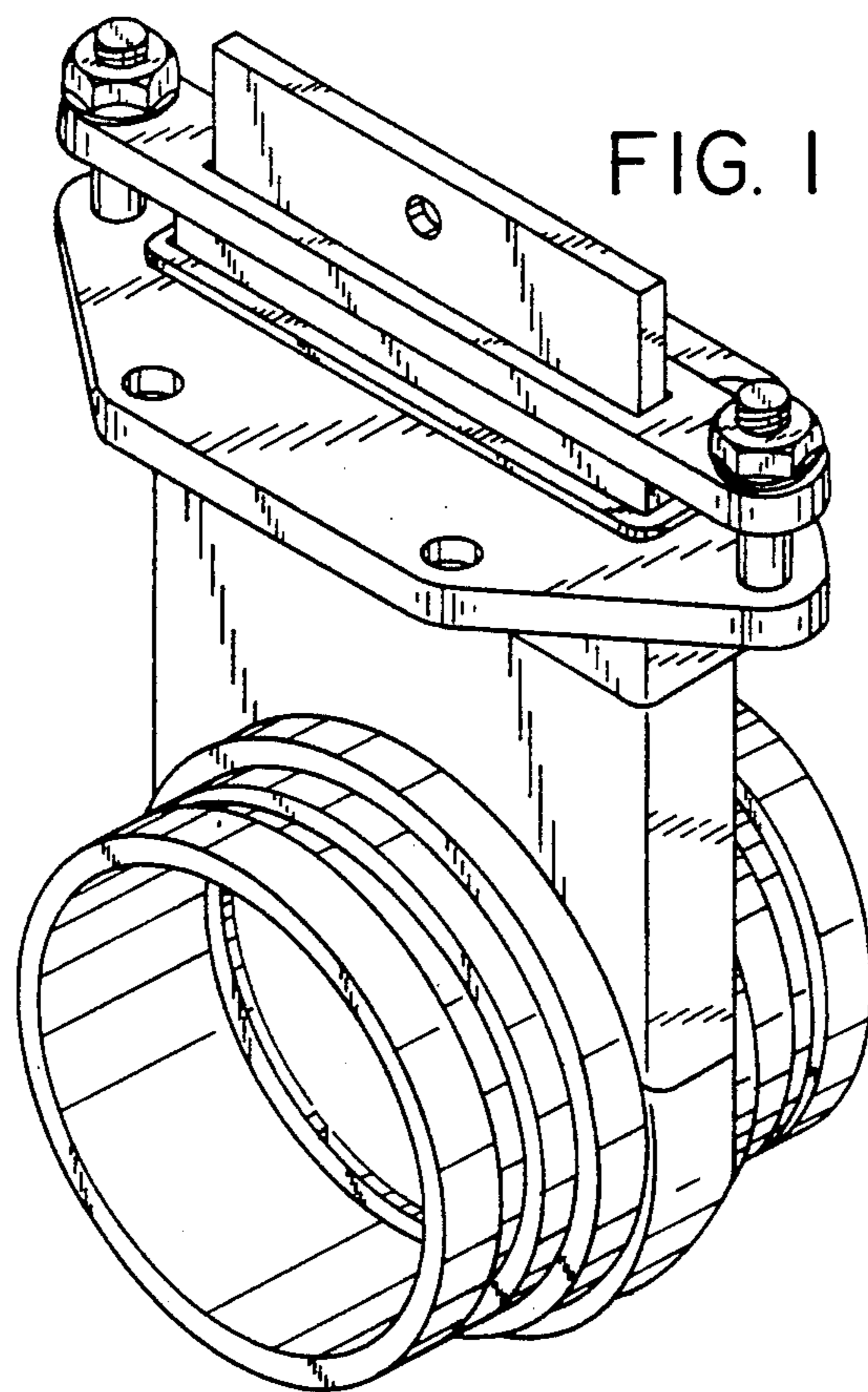


FIG. 2

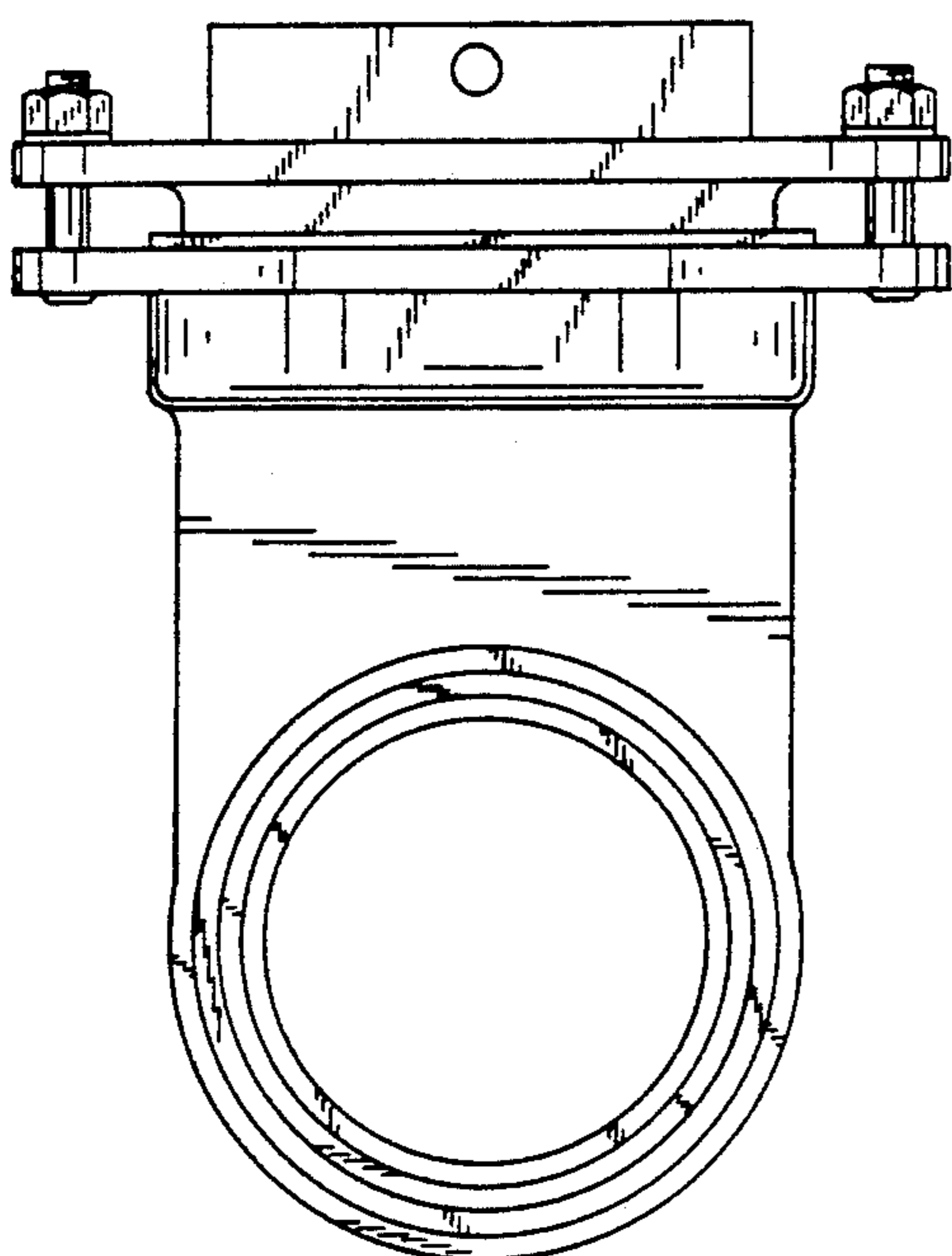
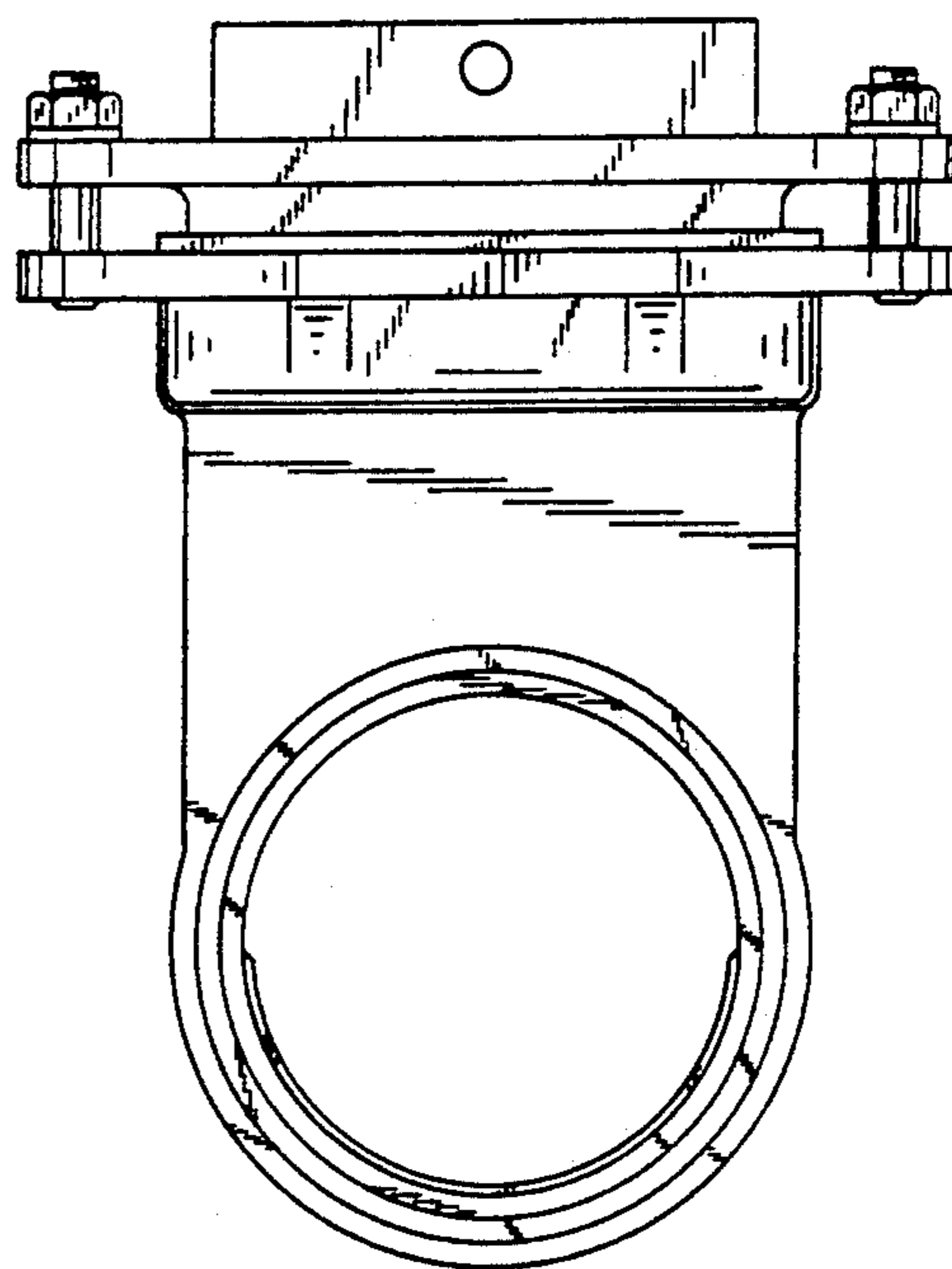


FIG. 3



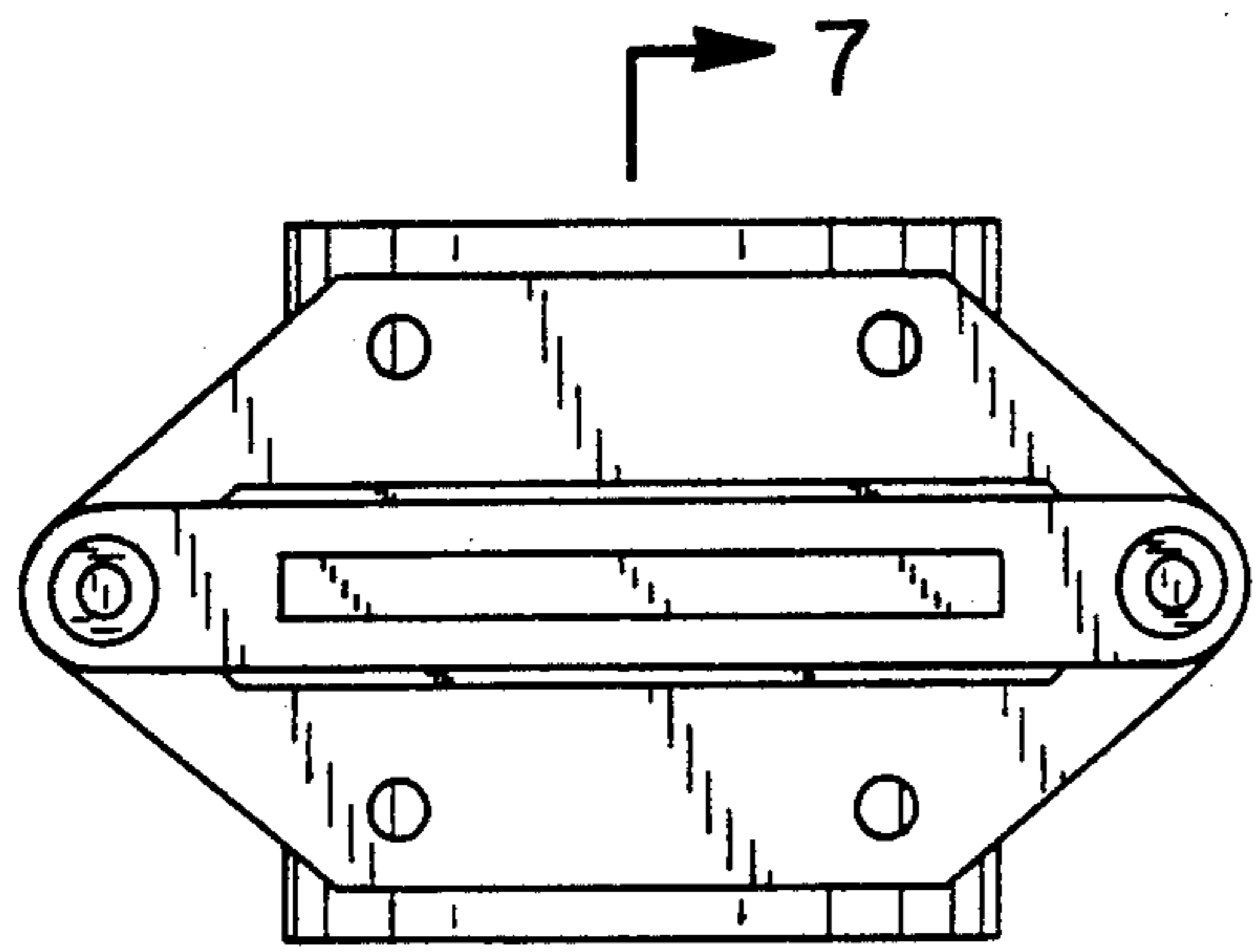


FIG. 4

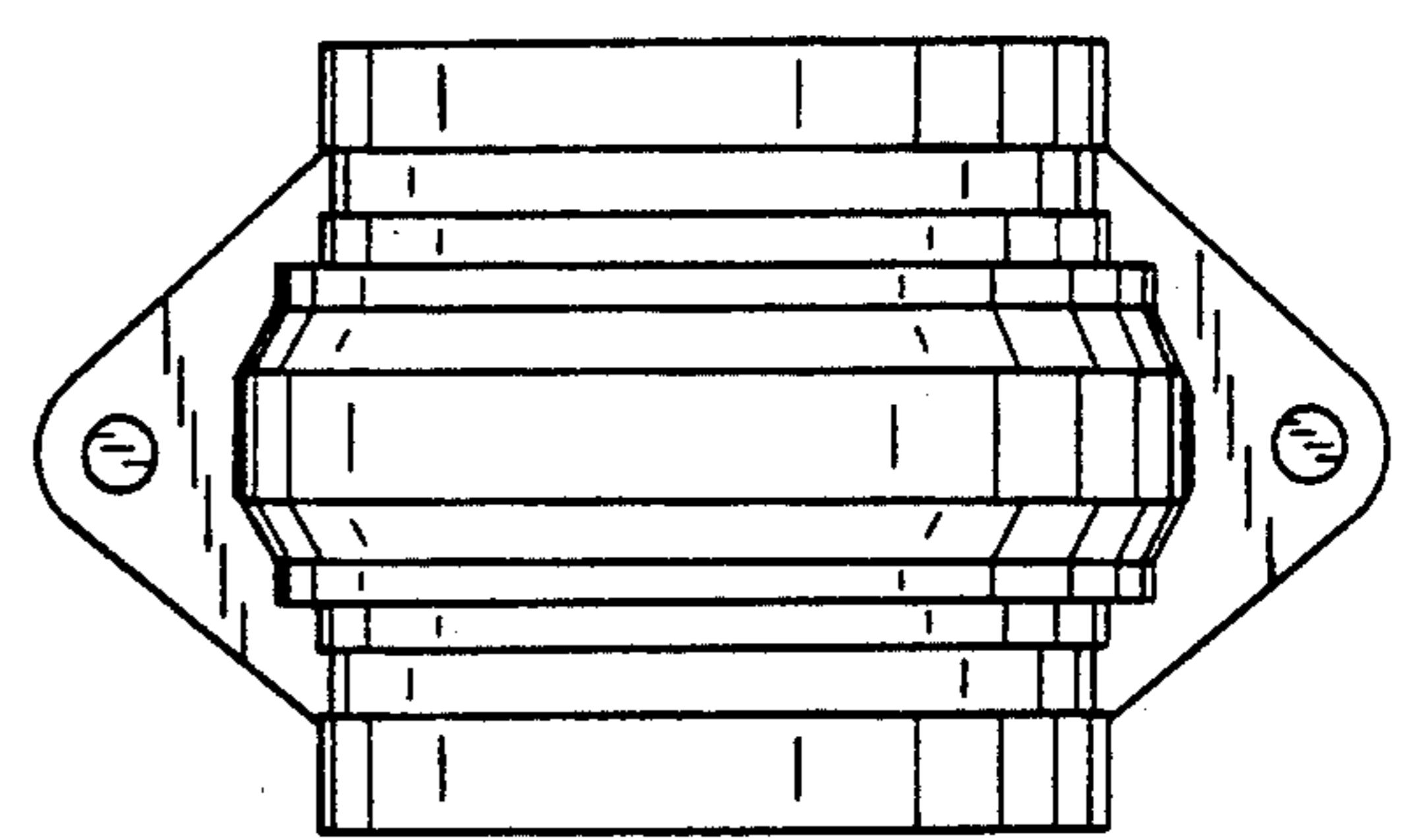


FIG. 5

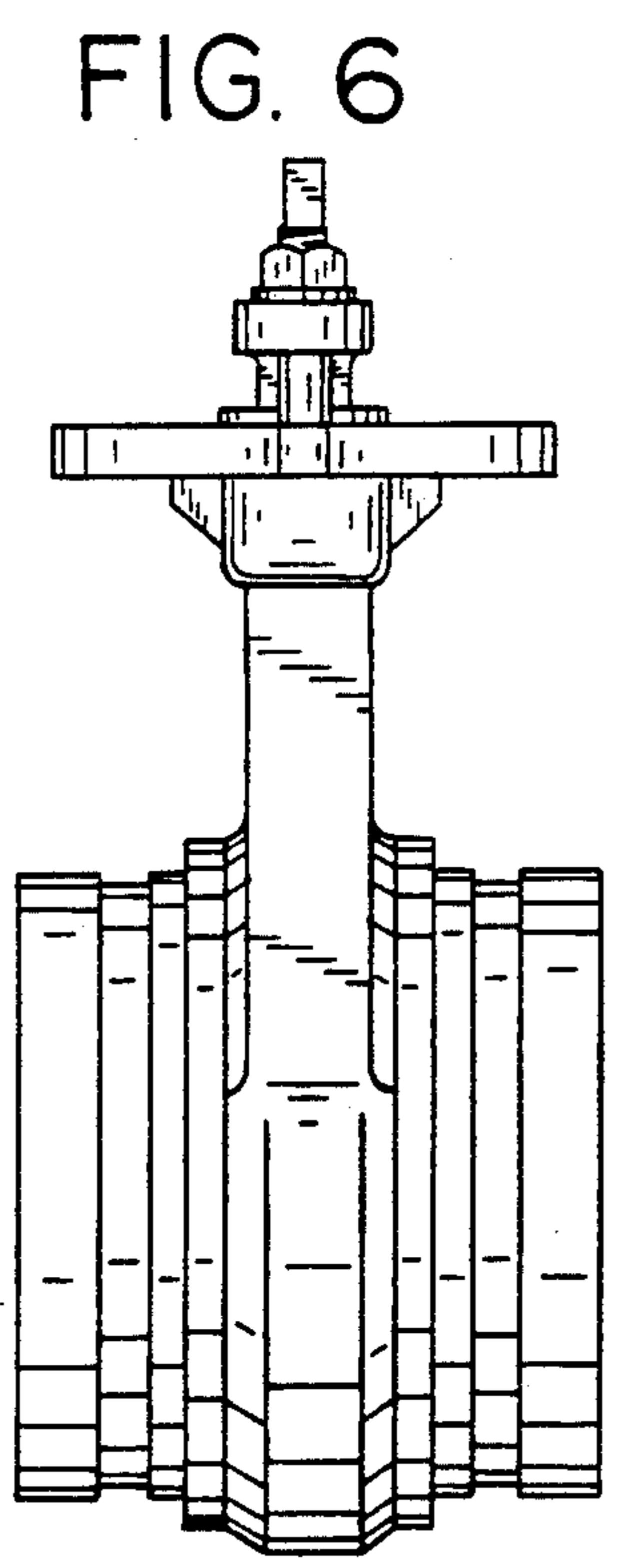


FIG. 6

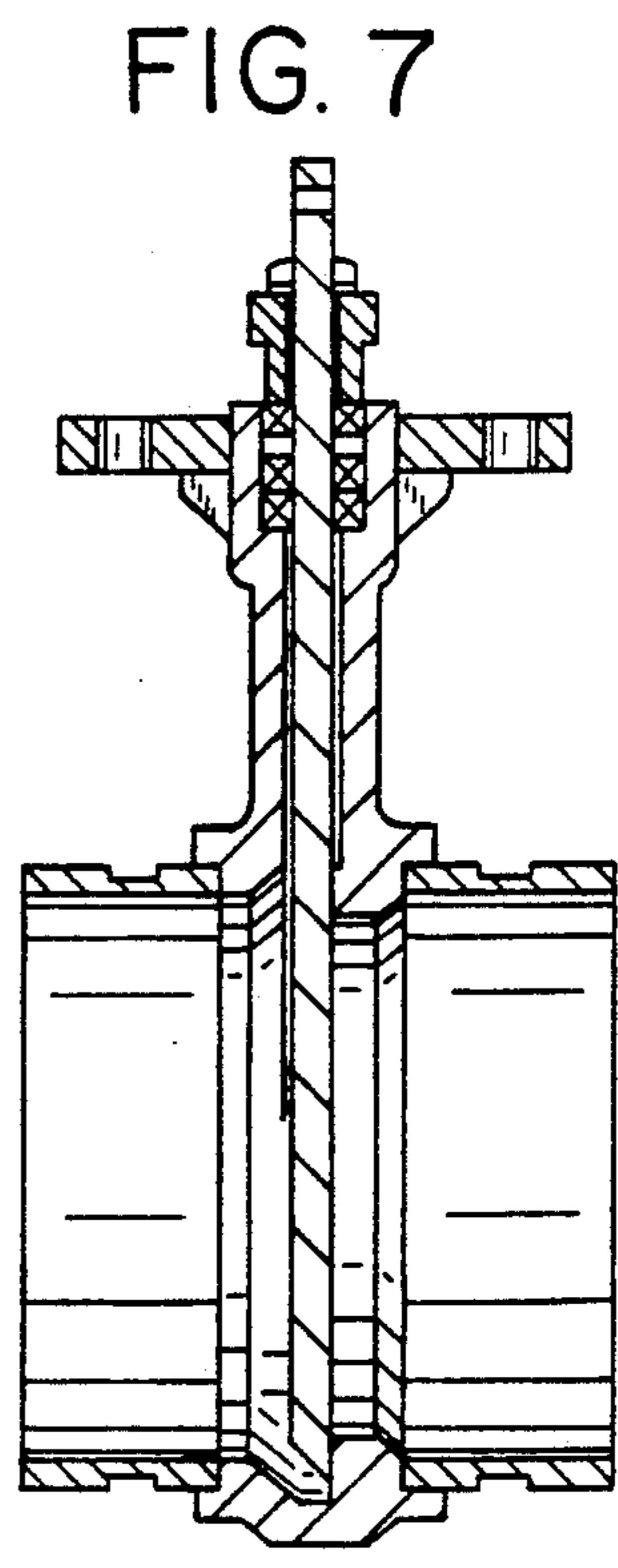


FIG. 7