



US00D323372S

United States Patent [19]

[11] Patent Number: **Des. 323,372**

Heckerman

[45] Date of Patent: **** Jan. 21, 1992**

[54] **RIFLE SCOPE COVER**

[76] Inventor: **William L. Heckerman**, P.O. Box 429, Bozeman, Mont.

[**] Term: **14 Years**

[21] Appl. No.: **938,739**

[22] Filed: **Dec. 4, 1986**

[52] U.S. Cl. **D22/108**

[58] Field of Search **D22/108; D16/132, 136; 33/244**

[56] **References Cited**

U.S. PATENT DOCUMENTS

2,972,190 2/1961 Vissing 33/244
3,496,642 2/1970 Pfahler 33/244

OTHER PUBLICATIONS

Gander Mountain Inc., Aug. 1985, Easy to Remove Rifle Scope Cover p. 86, (Kitem).

Primary Examiner—A. Hugo Word

Assistant Examiner—Doris Clark

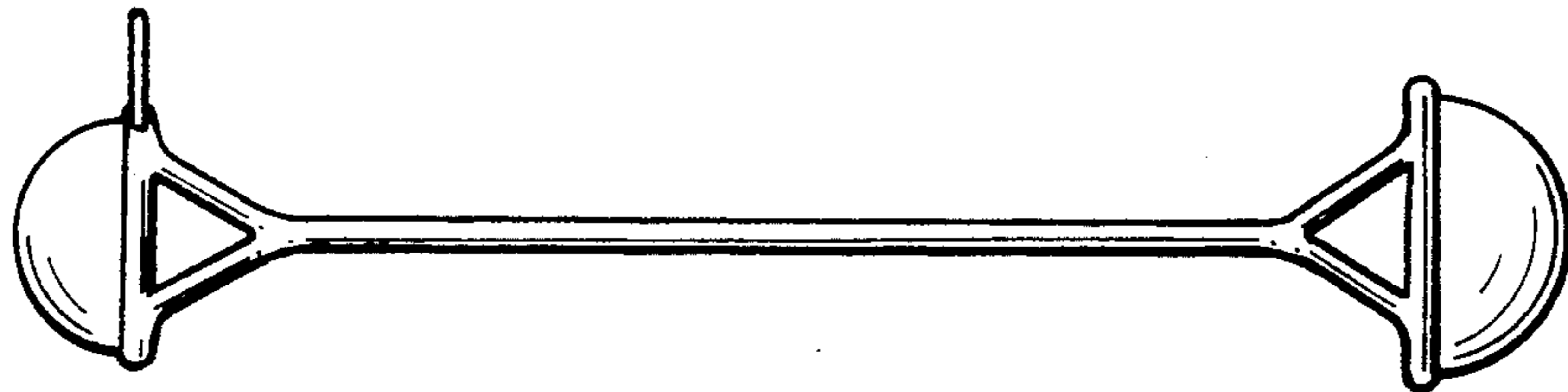
Attorney, Agent, or Firm—Richard C. Conover

[57] **CLAIM**

The ornamental design for a rifle scope cover, as shown.

DESCRIPTION

FIG. 1 is a left side elevational view of a rifle scope cover showing my new design;
FIG. 2 is a right side elevational view thereof mounted on a rifle scope;
FIG. 3 is a top plan view thereof;
FIG. 4 is an enlarged fragmentary left side perspective view thereof;
FIG. 5 is a fragmentary right side perspective view thereof;
FIG. 6 is a top perspective view thereof, the rifle cover shown removed from the rifle scope;
FIG. 7 is a side perspective view thereof; and
FIG. 8 is a bottom perspective view thereof.
The broken line showing of the scope and rifle is for illustrative purposes only and forms no part of the claimed design.



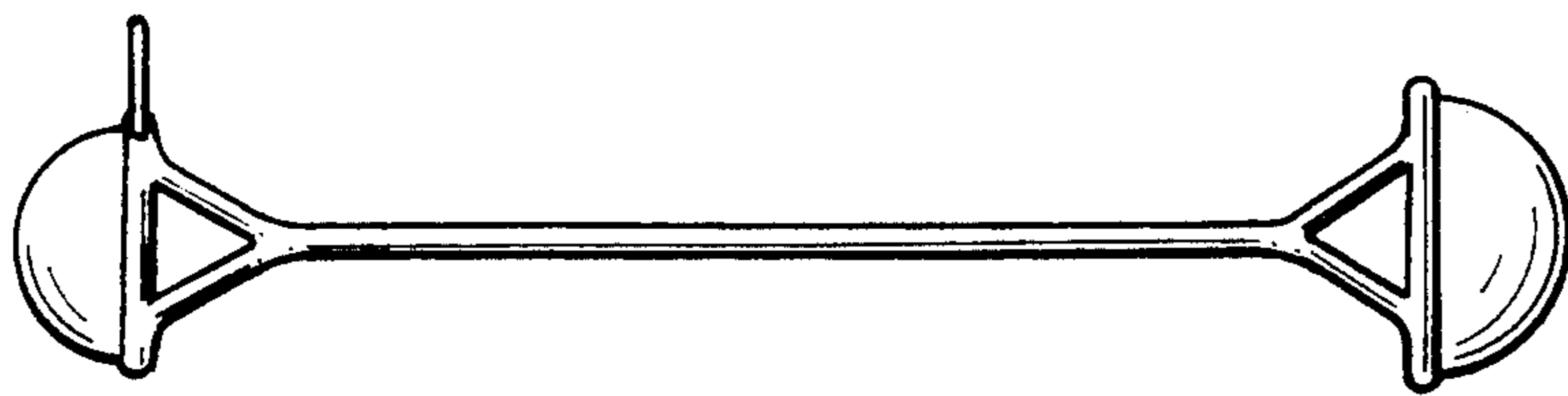


FIG. 1

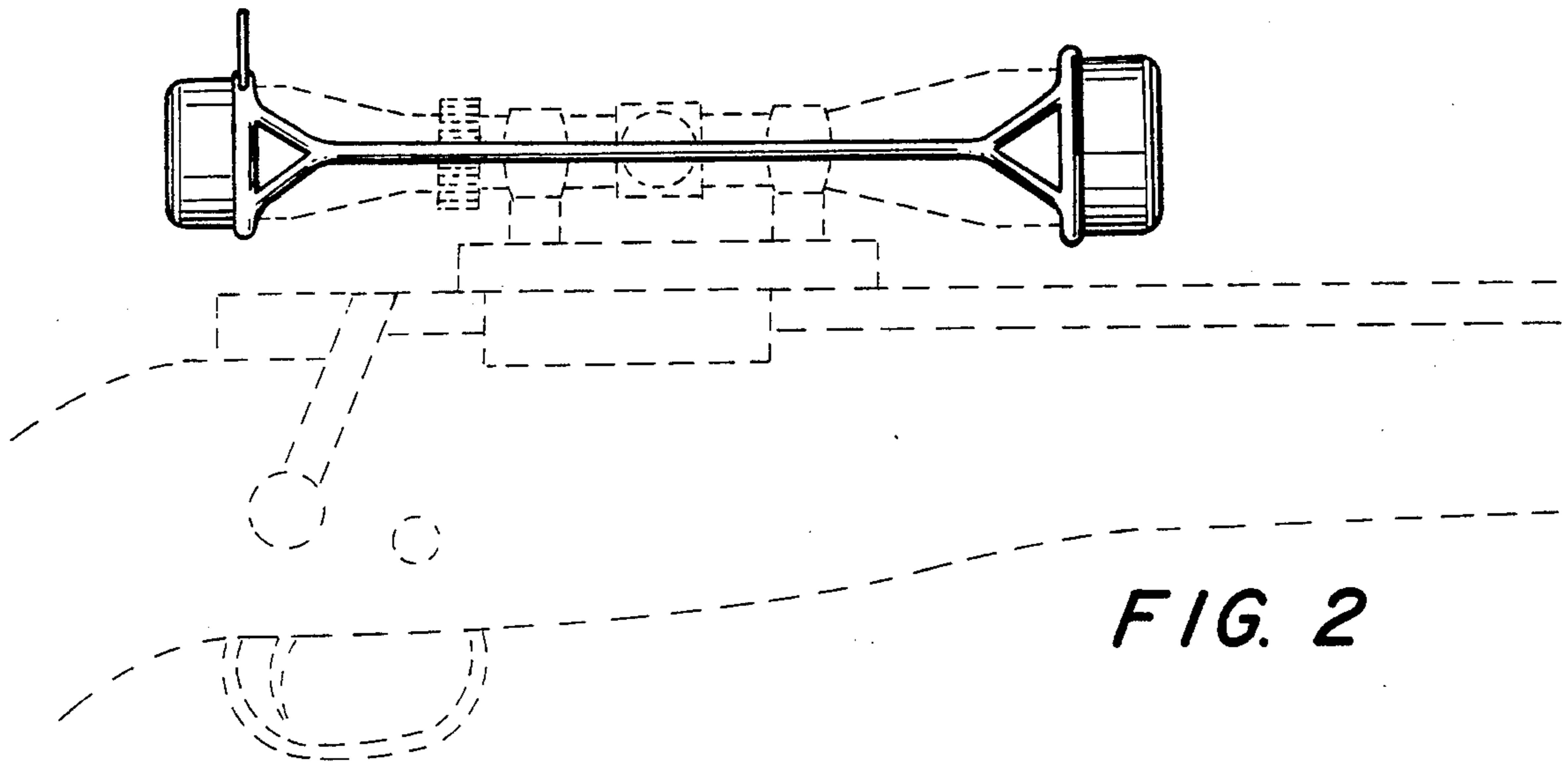


FIG. 2

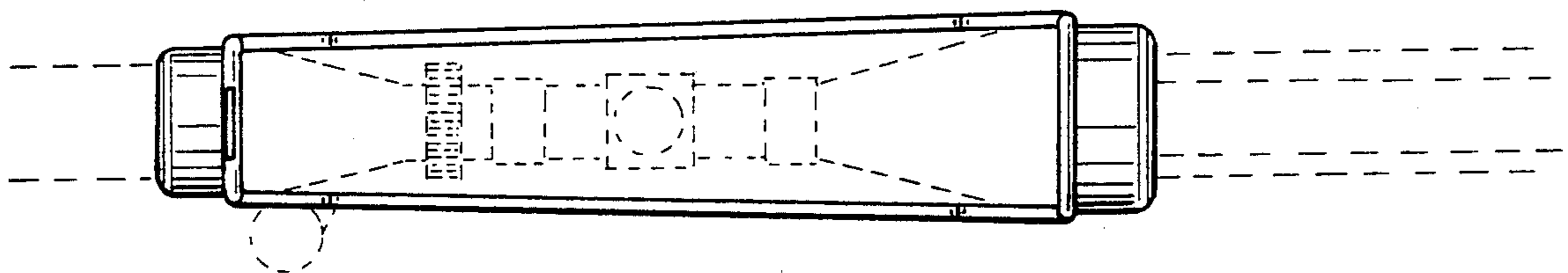


FIG. 3

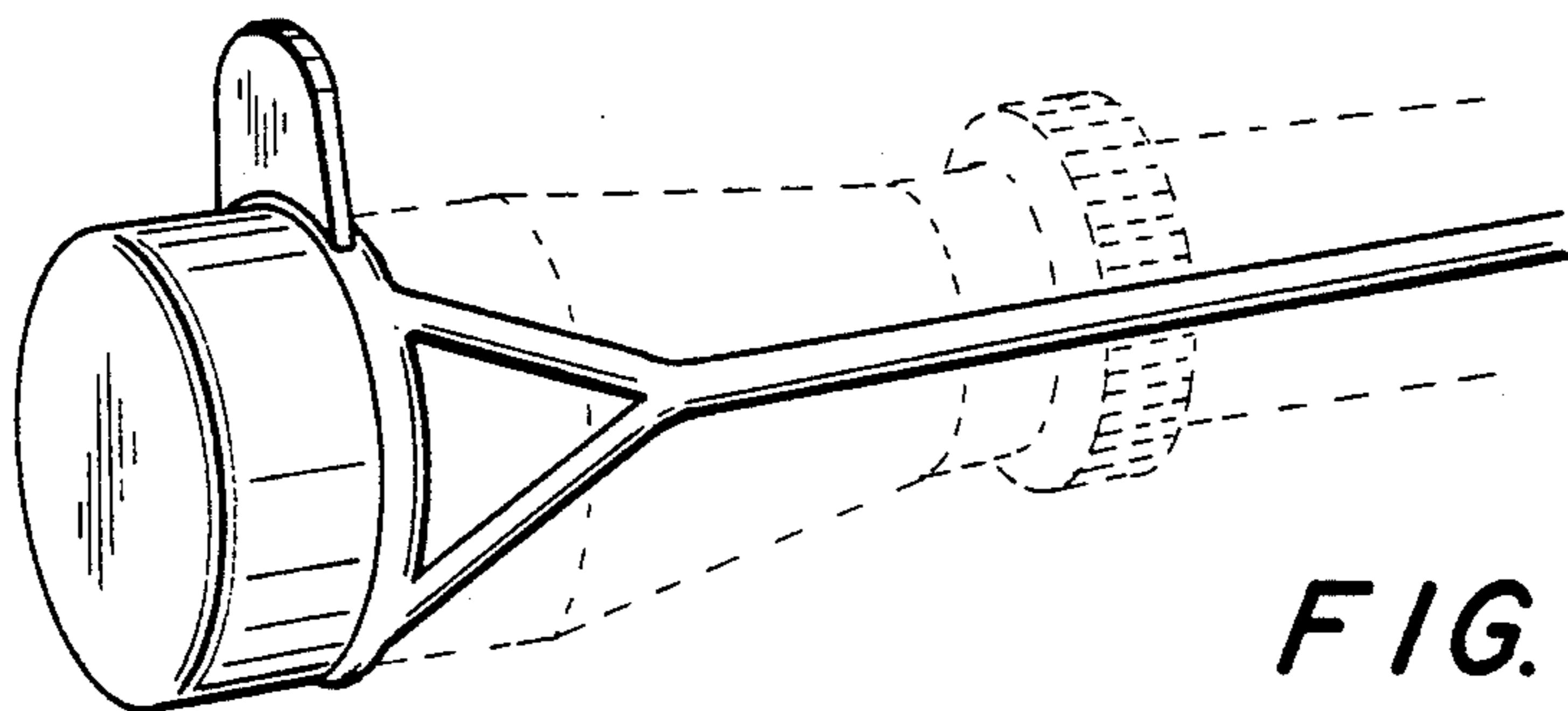


FIG. 4

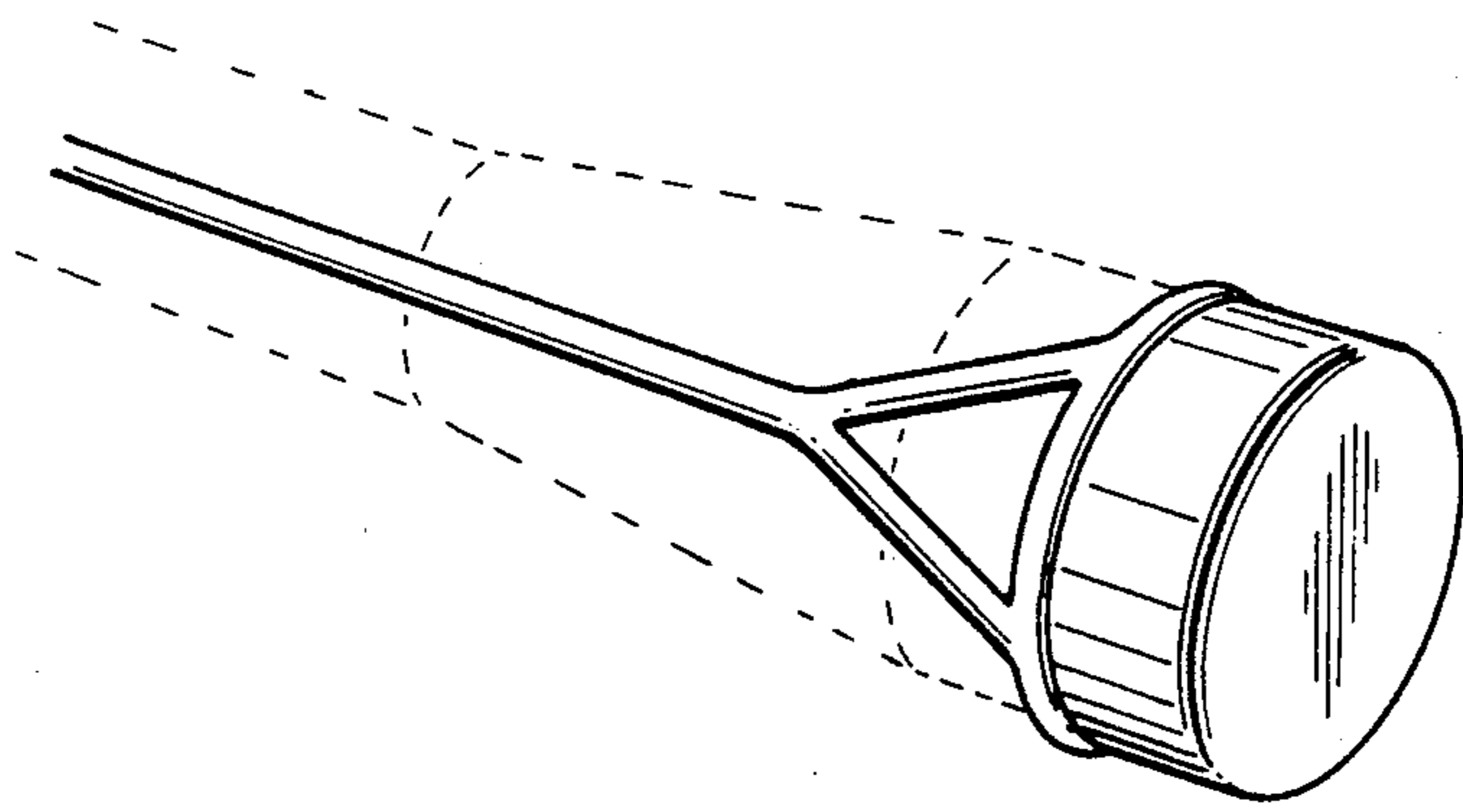


FIG. 5

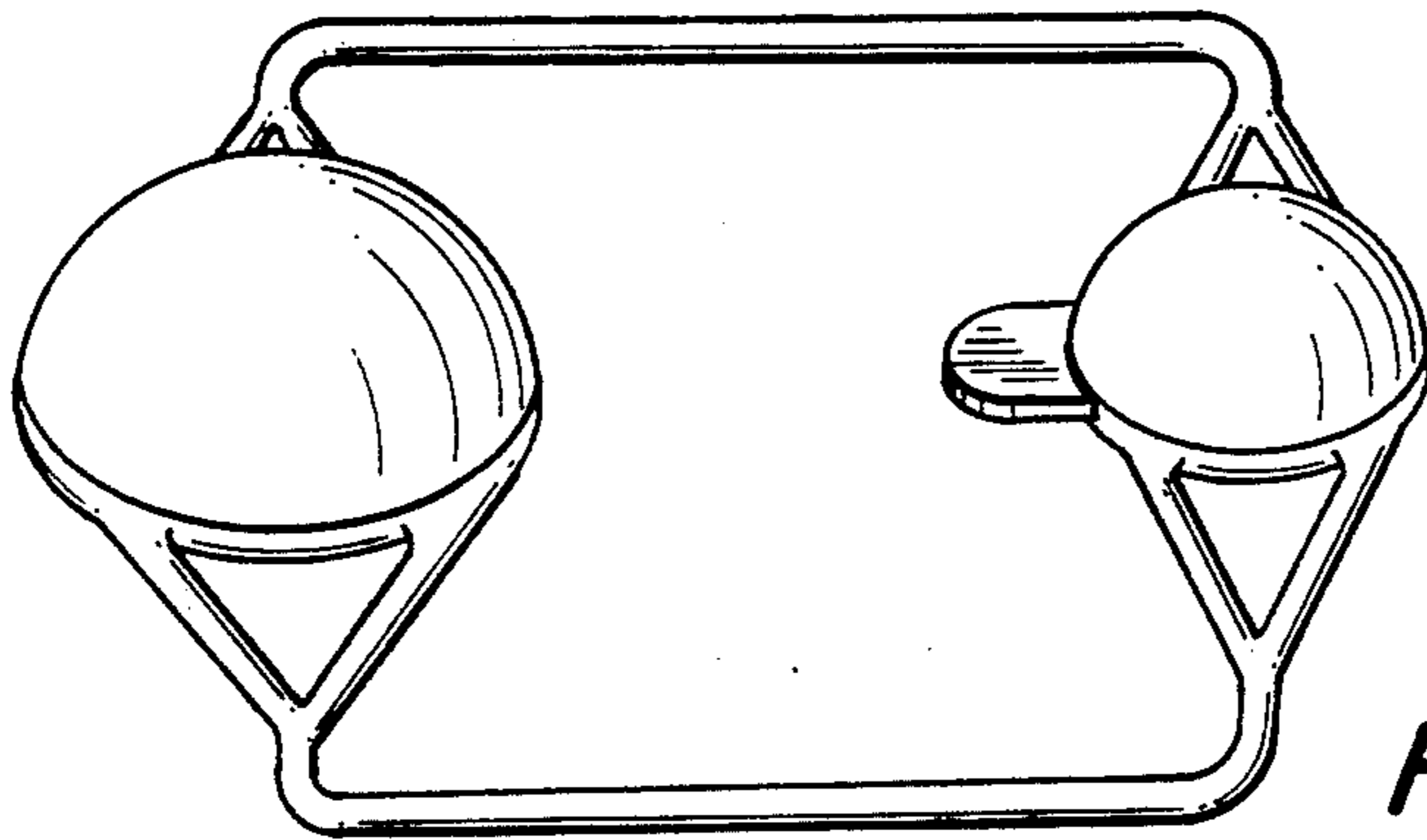


FIG. 6

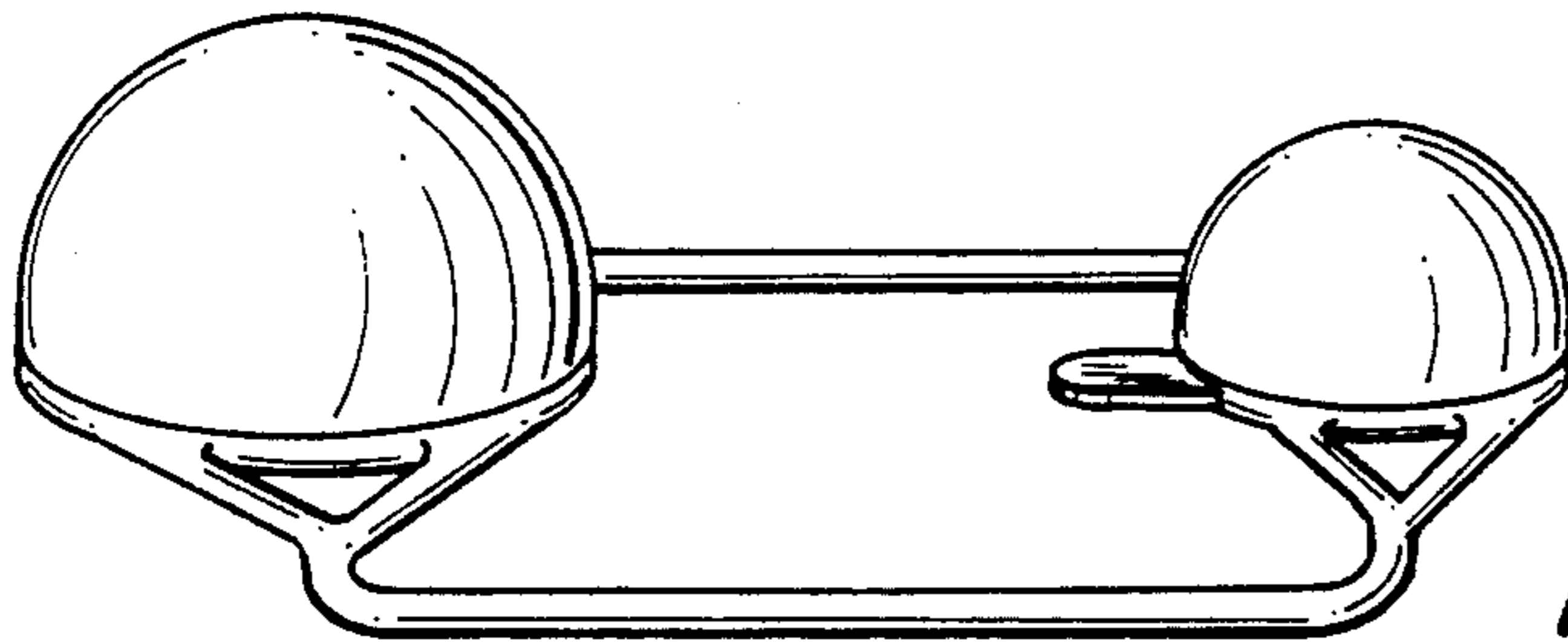


FIG. 7

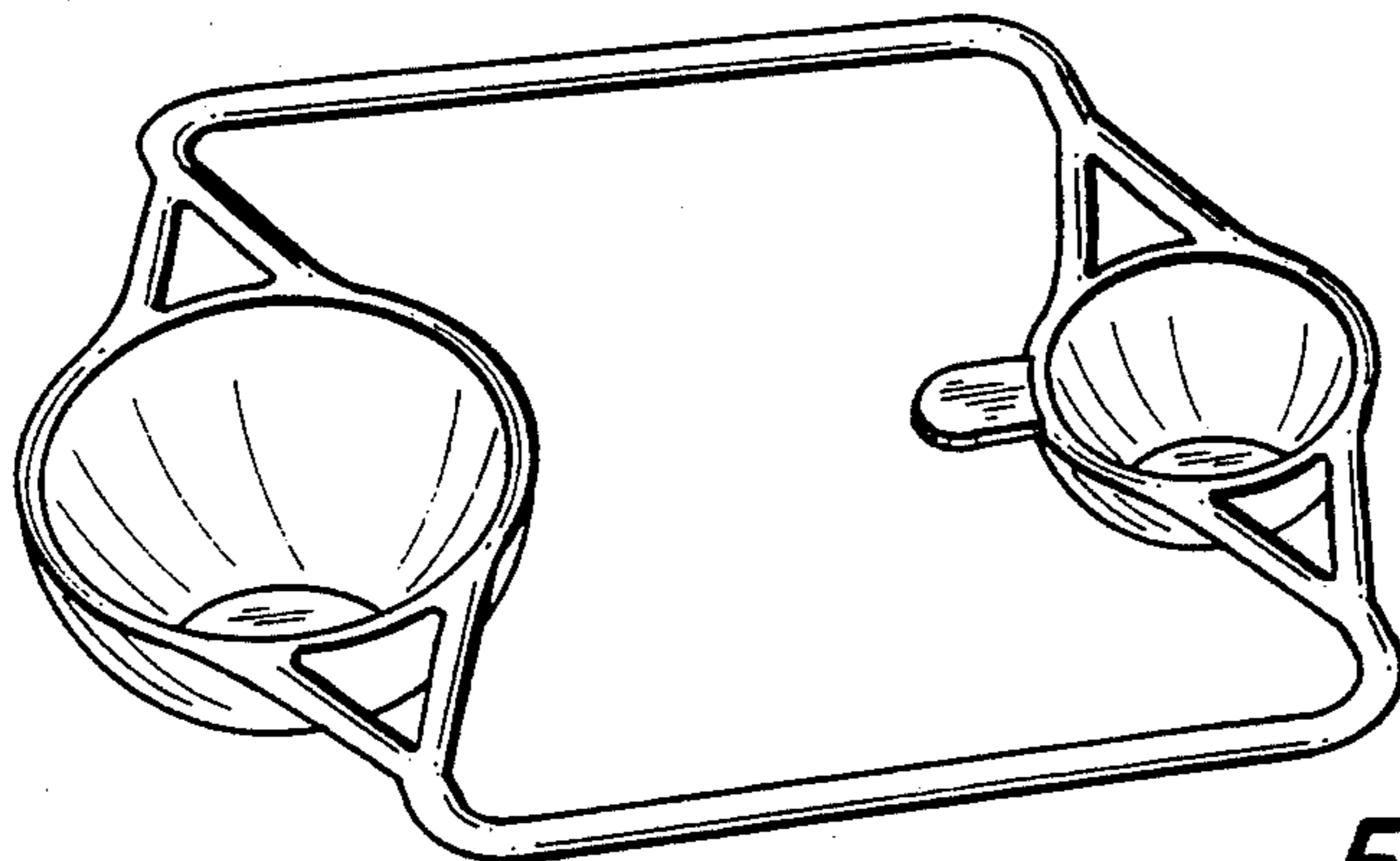


FIG. 8