



US00D323369S

United States Patent [19]

[11] Patent Number: **Des. 323,369**

De Masi, Jr. et al.

[45] Date of Patent: **** Jan. 21, 1992**

[54] **HOCKEY PUCK**

[75] Inventors: **Anthony De Masi, Jr.; John A. McMahon, 3rd**, both of West Hartford, Conn.

2,727,744	12/1955	Watson	273/128 R
3,533,626	10/1970	Smith	273/126 R
3,762,711	10/1973	Cooper	273/126 R
4,111,419	9/1978	Pelligrino	273/1 B

[73] Assignee: **Roll-A-Puck Limited**, Simsbury, Conn.

OTHER PUBLICATIONS

Playthings, Sep., 1971, p. 80, lower left, Hockey Puck.

[**] Term: **14 Years**

Primary Examiner—Melvin B. Feifer
Attorney, Agent, or Firm—McCormick, Paulding & Huber

[21] Appl. No.: **92,463**

[57] **CLAIM**

[22] Filed: **Sep. 3, 1987**

The ornamental design for hockey puck, as shown and described.

[52] U.S. Cl. **D21/203**

[58] Field of Search **D21/51, 53, 7, 11, 203;**
273/1 B, 128 R, 128 A, 126 R

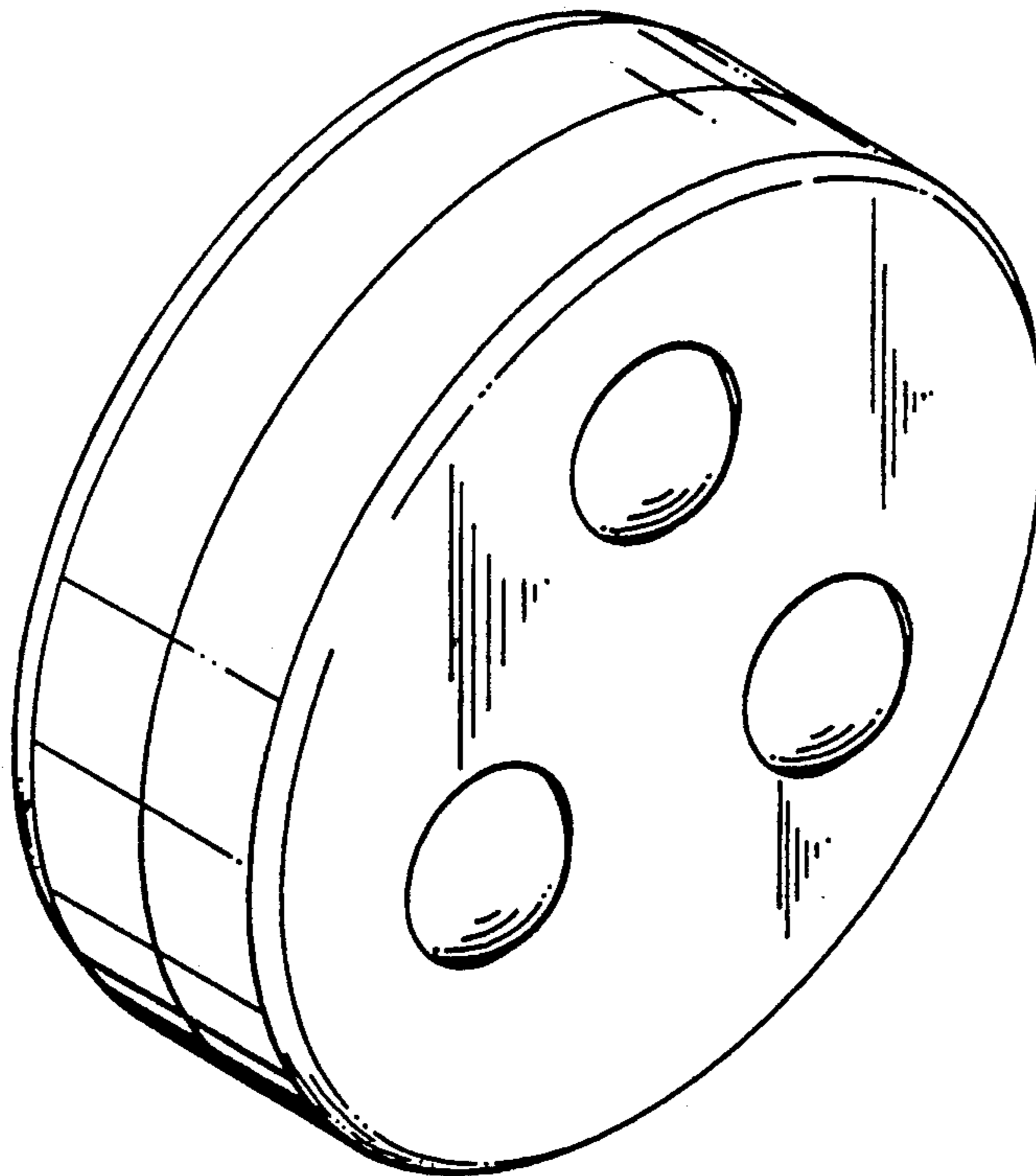
DESCRIPTION

[56] **References Cited**

U.S. PATENT DOCUMENTS

2,462,436	2/1949	Stewart	273/128 CS
2,511,147	6/1950	Braun	273/128 R

FIG. 1 is a perspective view showing a hockey puck incorporating our new design;
FIG. 2 is a top plan view thereof;
FIG. 3 is an end elevational view thereof; and
FIG. 4 is a side elevation view thereof.



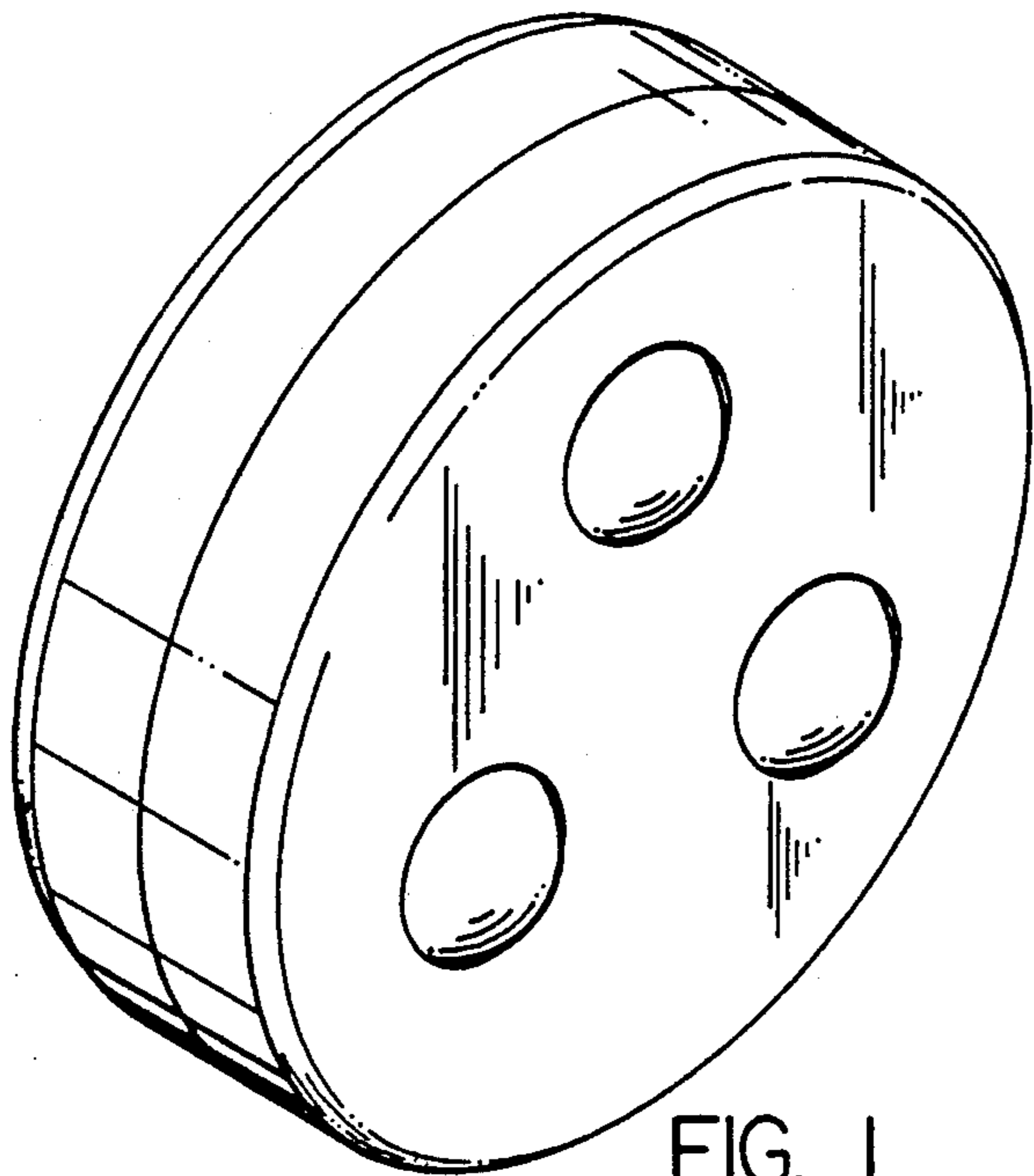


FIG. 1

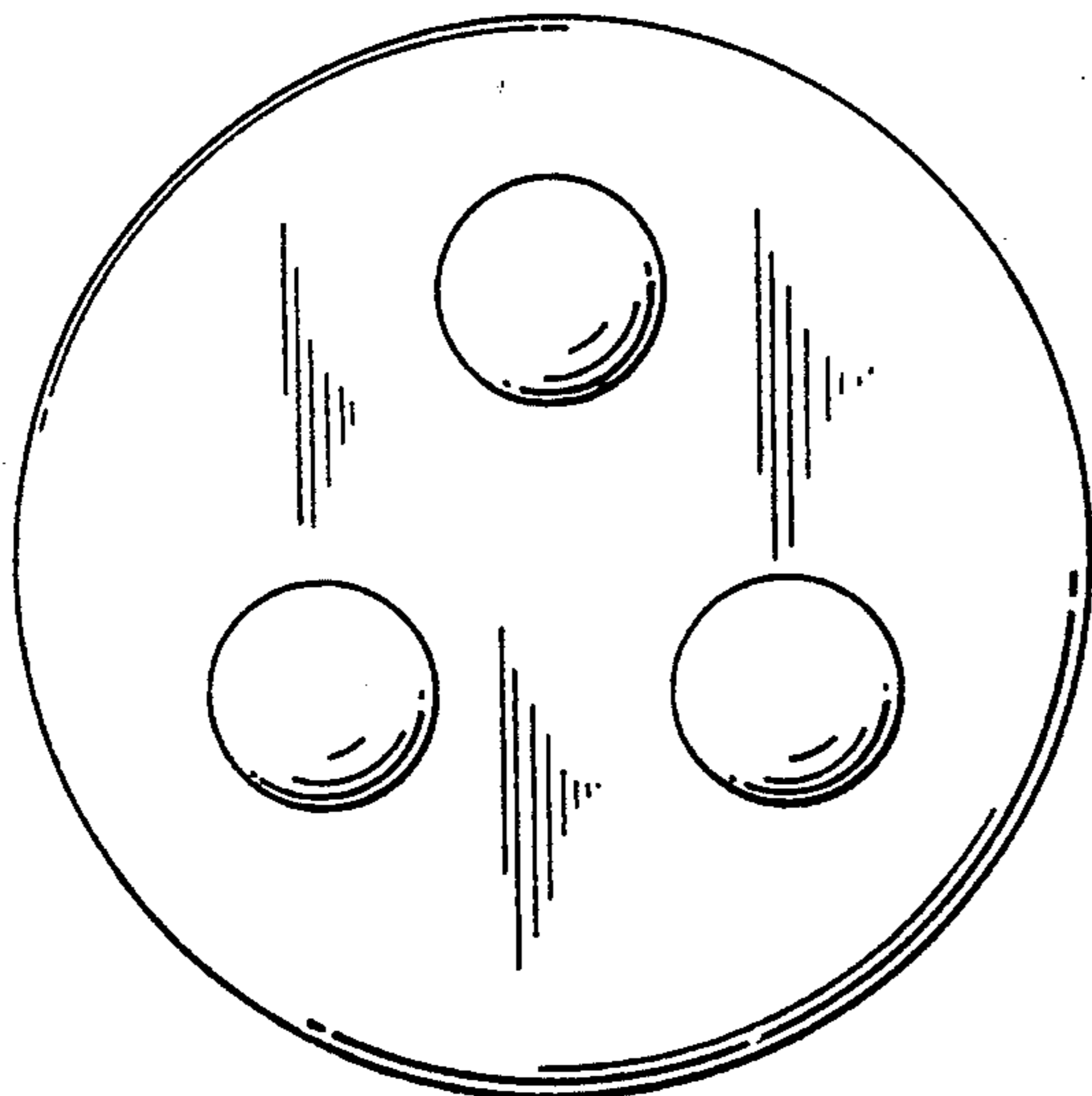


FIG. 2

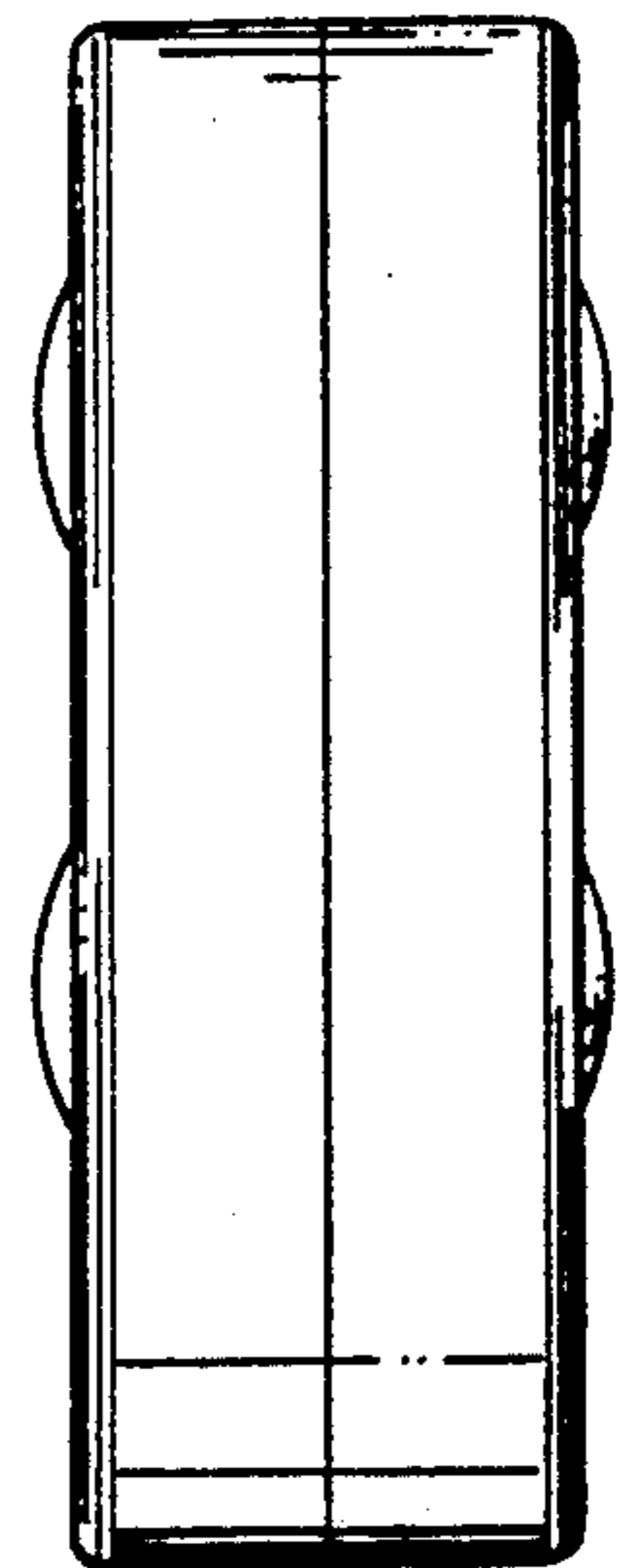


FIG. 3

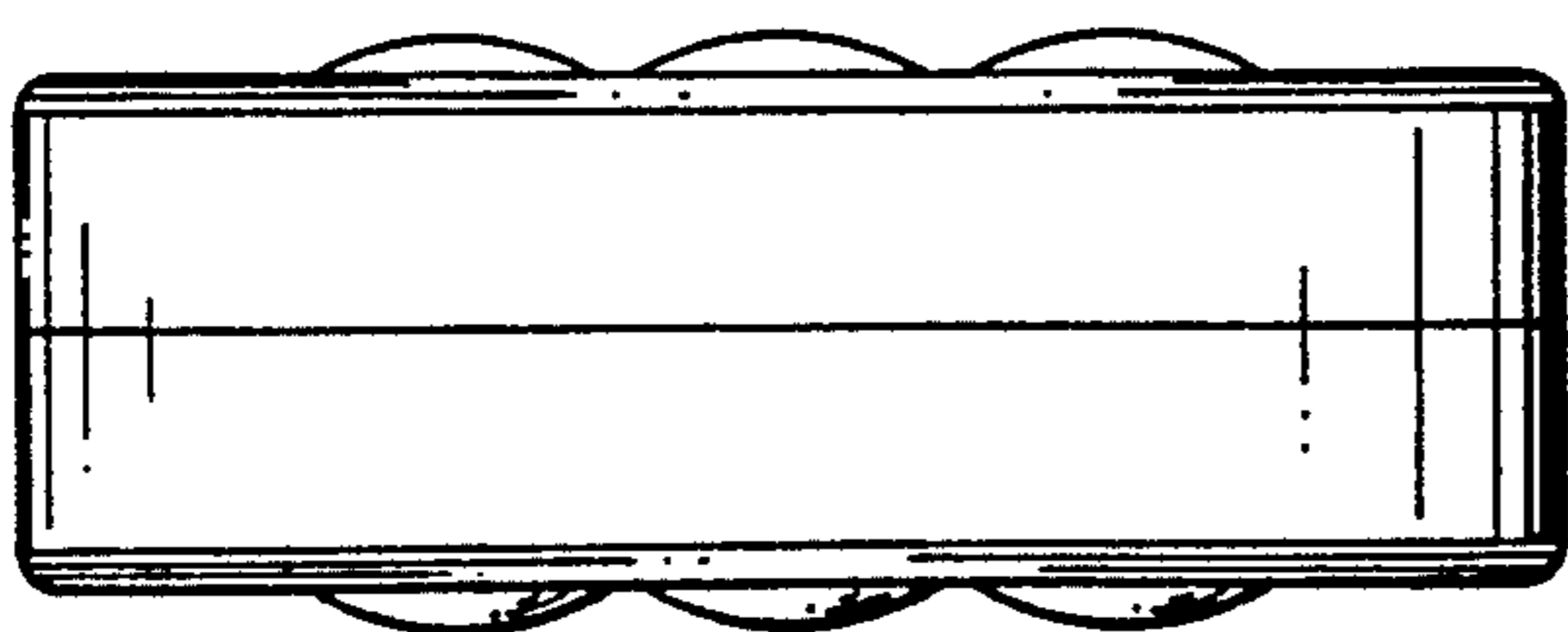


FIG. 4