



US00D323368S

# United States Patent [19]

[11] Patent Number: **Des. 323,368**

Whitesel

[45] Date of Patent: **\*\* Jan. 21, 1992**

[54] **ERGOMETER**

[75] Inventor: **J. Warren Whitesel, Varberg, Sweden**

[73] Assignee: **Monark AB, Sweden**

[\*\*] Term: **14 Years**

[21] Appl. No.: **11,139**

[22] Filed: **Feb. 5, 1987**

[52] U.S. Cl. .... **D21/194**

[58] Field of Search ..... **D21/191-199;**  
**272/70.3, 73, 132, DIG. 6; 73/379; 128/343,**  
**344, 345, 346**

D. 289,670 5/1987 Kasuba et al. .... D21/194  
4,729,559 3/1988 McNeil ..... 272/73

*Primary Examiner*—Charles A. Rademaker  
*Attorney, Agent, or Firm*—Laff, Whitesel, Conte & Saret

## [57] CLAIM

The ornamental design for an ergometer, as shown and described.

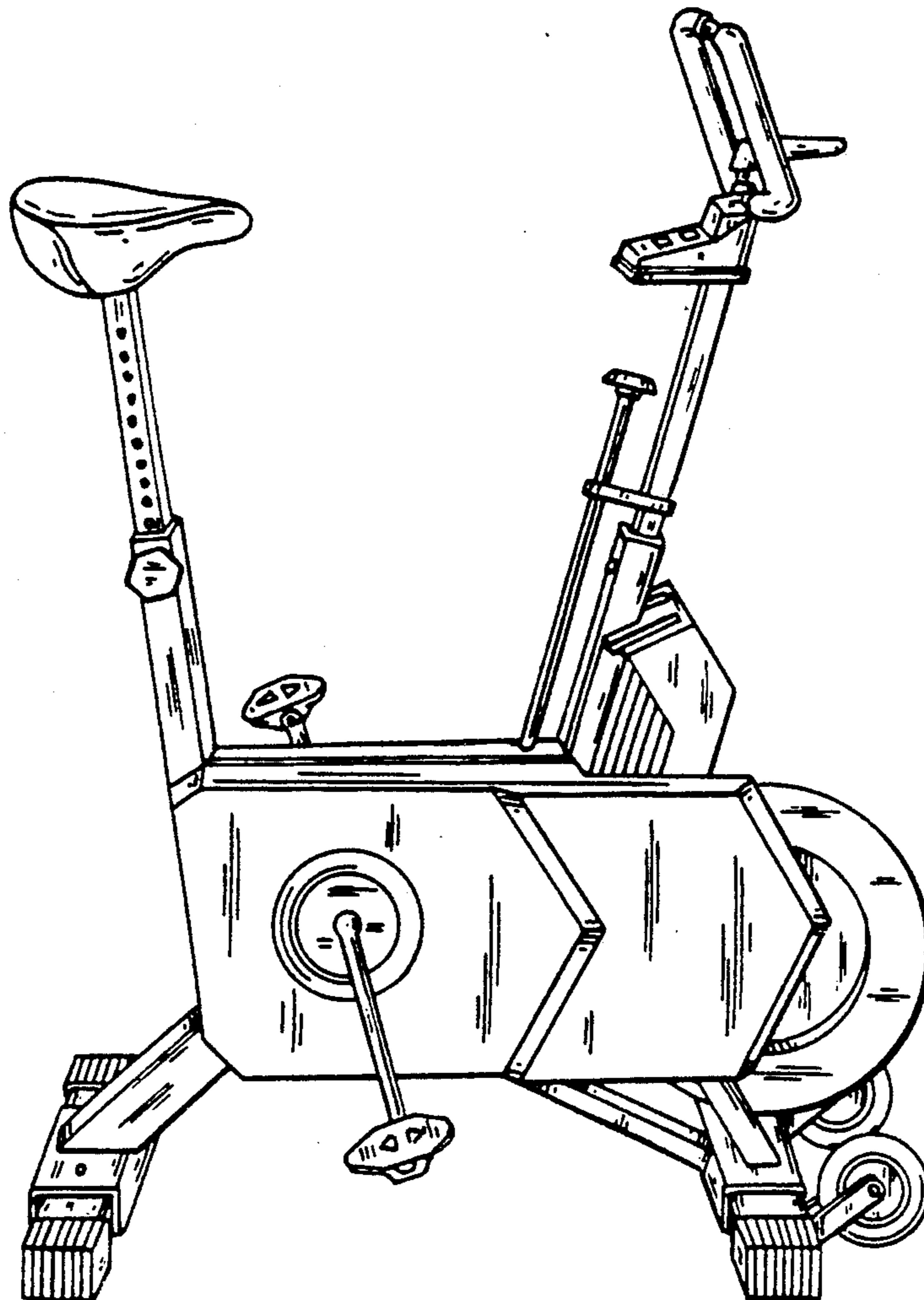
## DESCRIPTION

FIG. 1 is a side perspective view of an ergometer showing new design;  
FIG. 2 is a top perspective view of the electronic read-out member shown on an enlarged scale;  
FIG. 3 is a top perspective view of the scale members shown on an enlarged scale with portions of the frame shown in fragment;  
FIG. 4 is a left side elevational view thereof;  
FIG. 5 is a top plan view thereof;  
FIG. 6 is a bottom plan view thereof;  
FIG. 7 is a front elevational view thereof; and  
FIG. 8 is a rear elevational view thereof.

## [56] References Cited

### U.S. PATENT DOCUMENTS

D. 280,003 8/1985 Kiiski ..... D21/194  
D. 280,923 10/1985 Smith et al. .... D21/194  
D. 283,431 4/1986 Gustafsson ..... D21/194  
D. 285,816 9/1986 Berntsson ..... D21/194



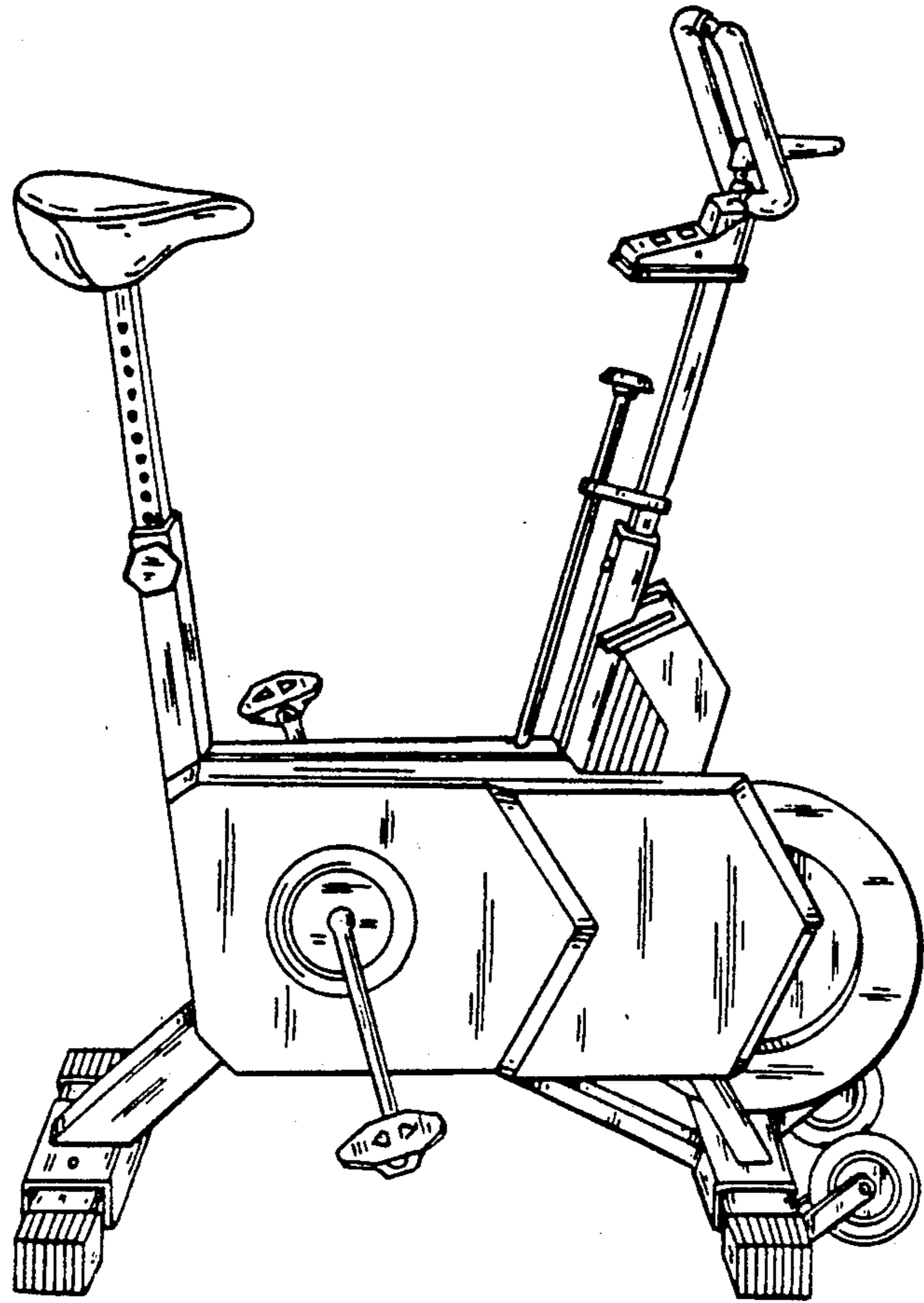


FIG. 1

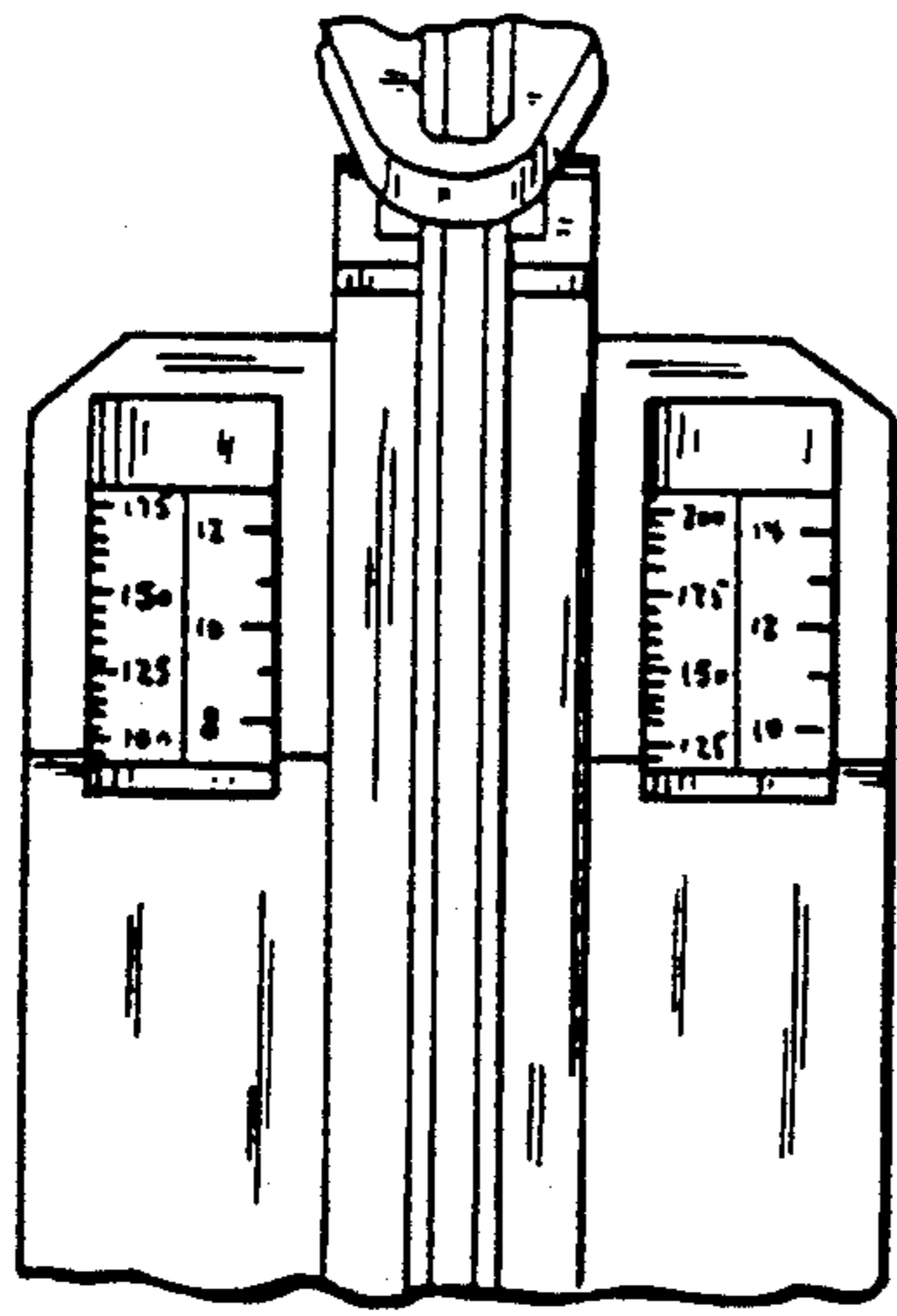


FIG. 3

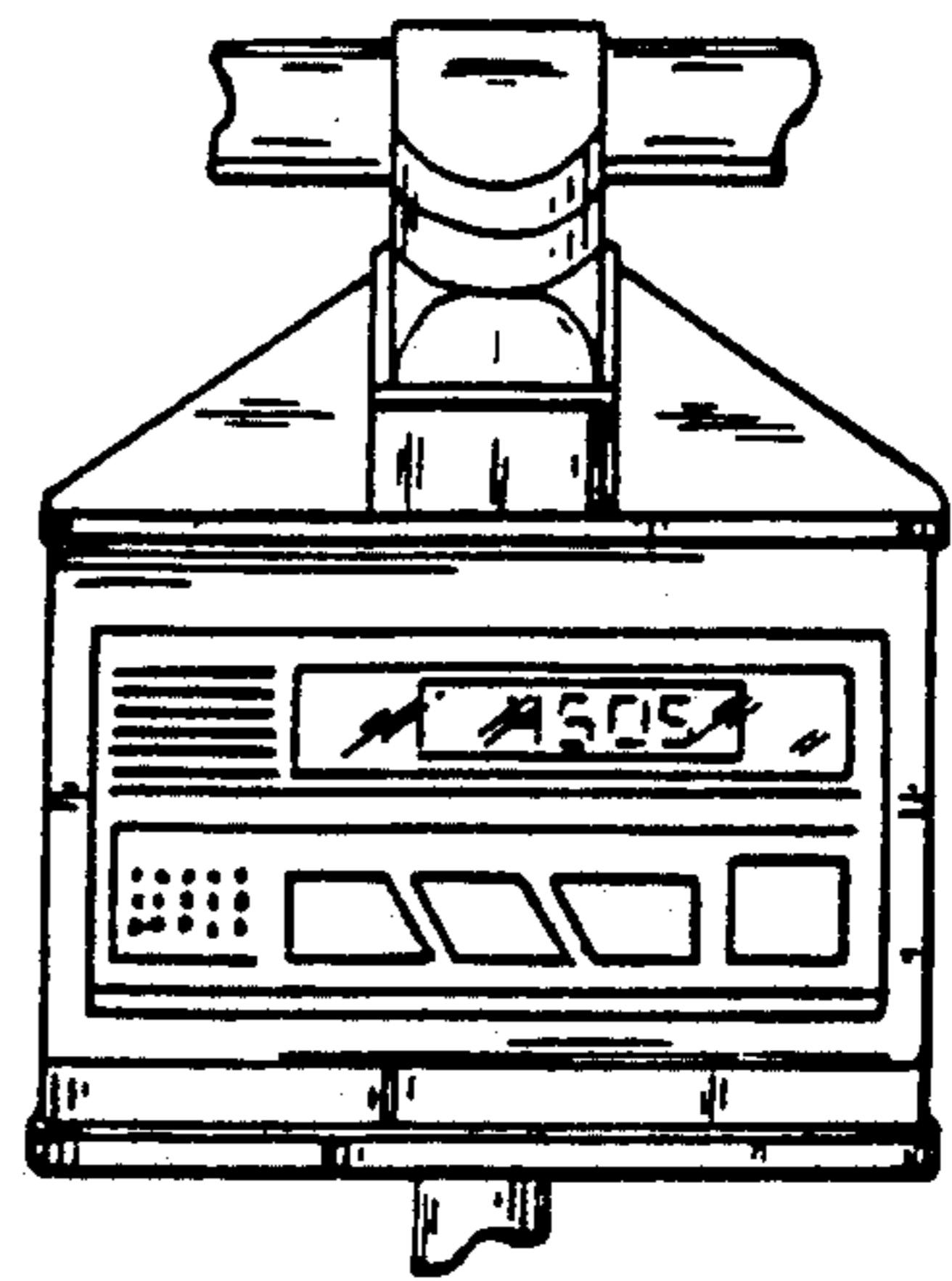


FIG. 2

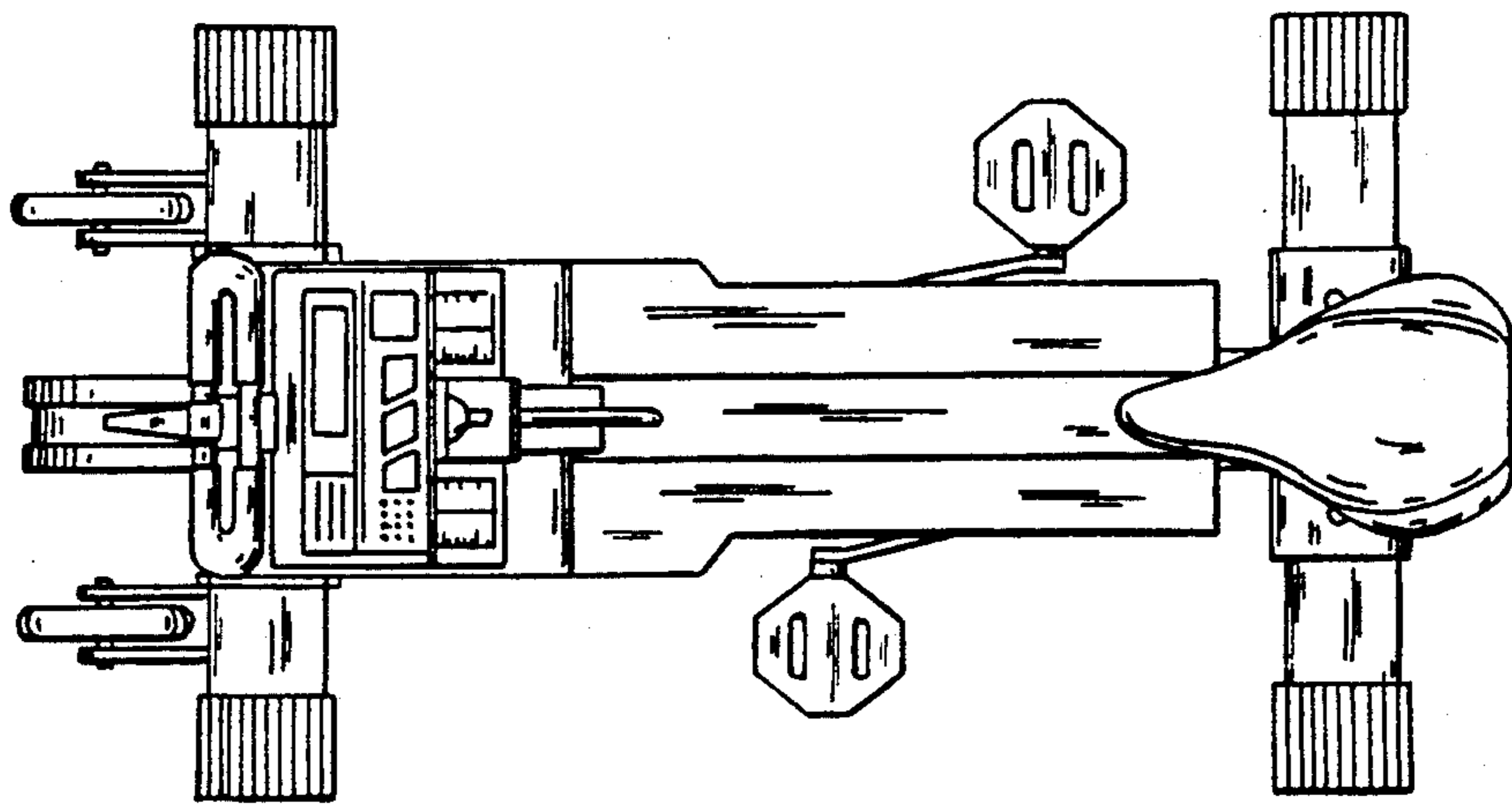


FIG. 5

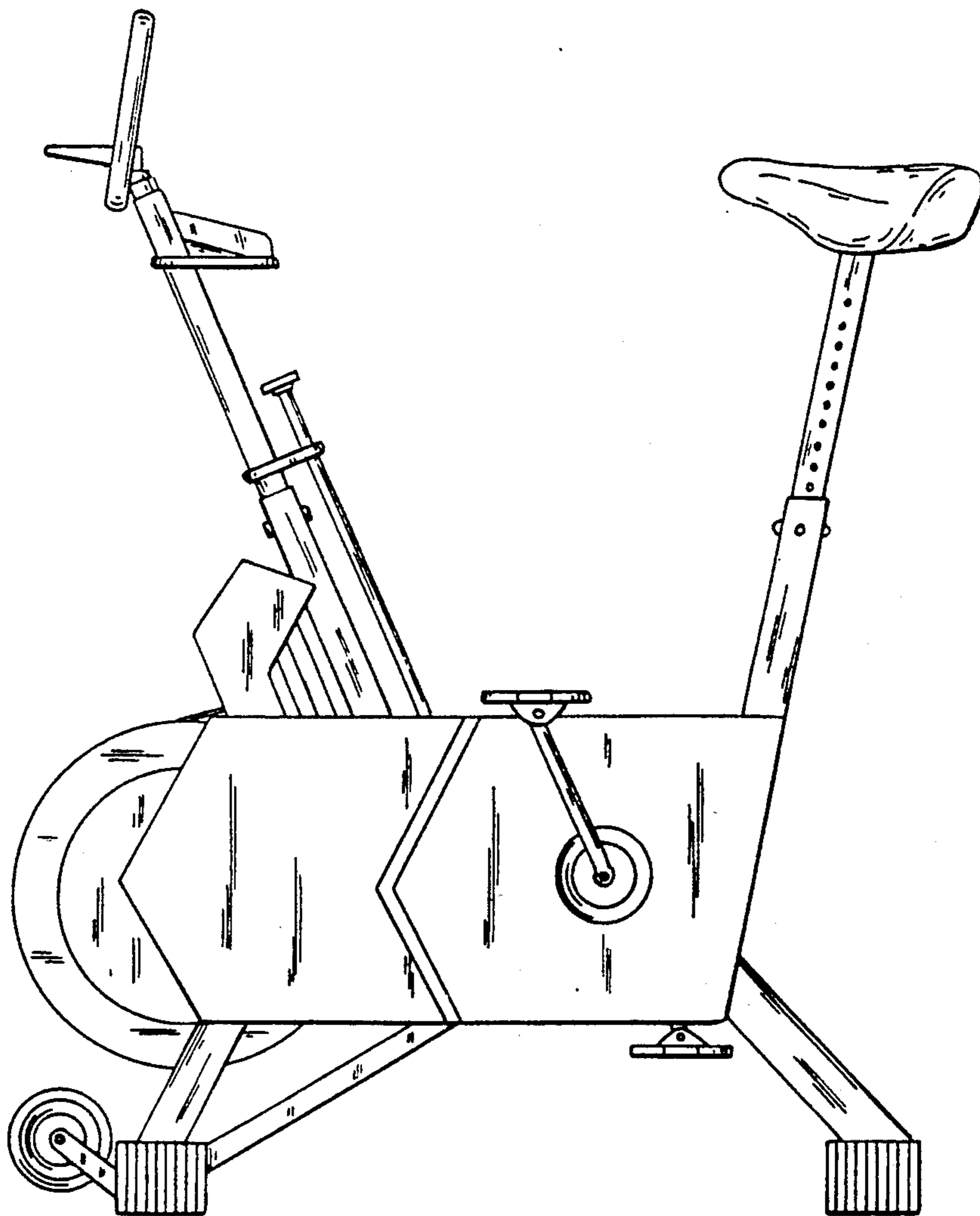


FIG. 4

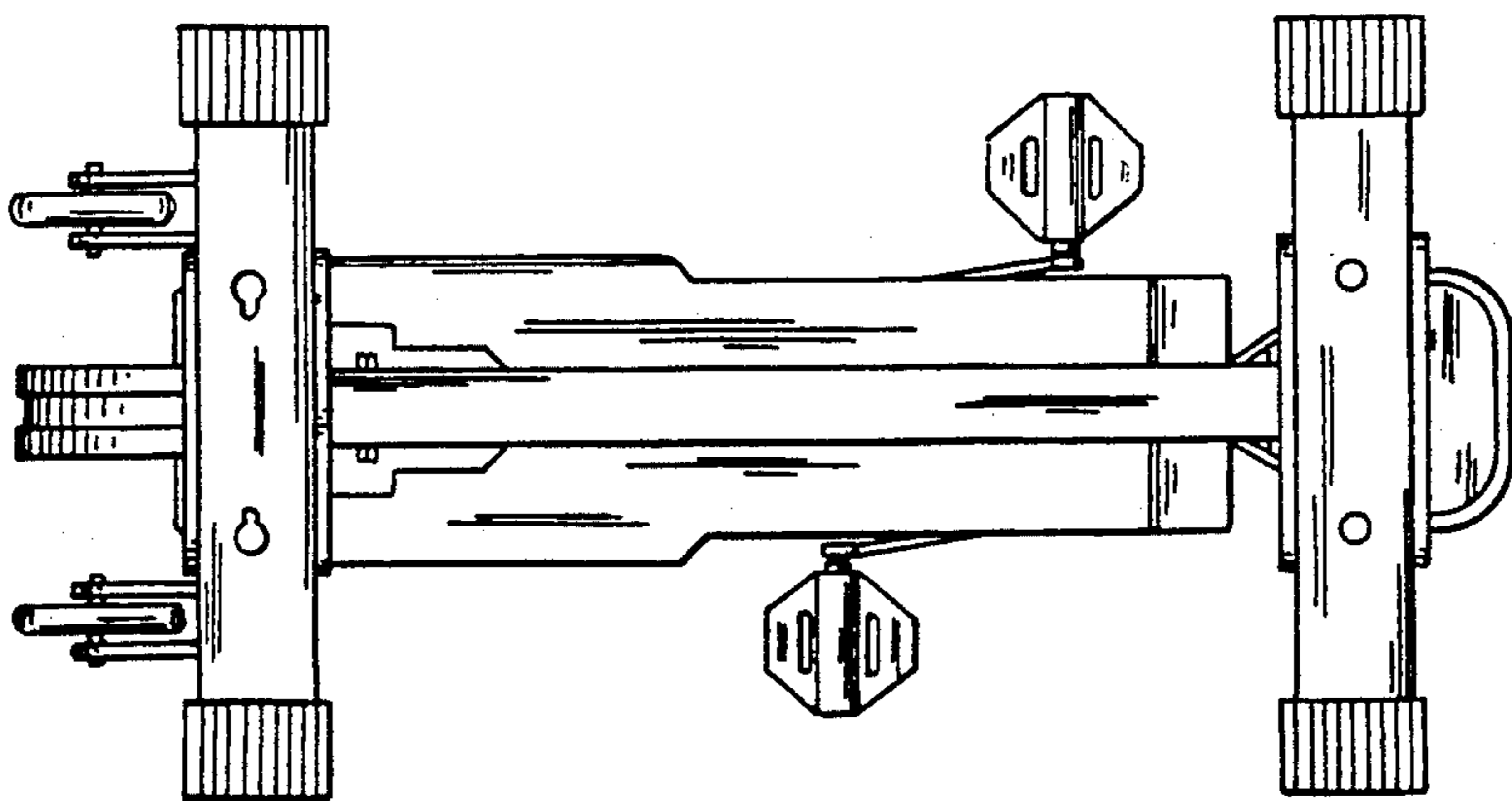


FIG. 6

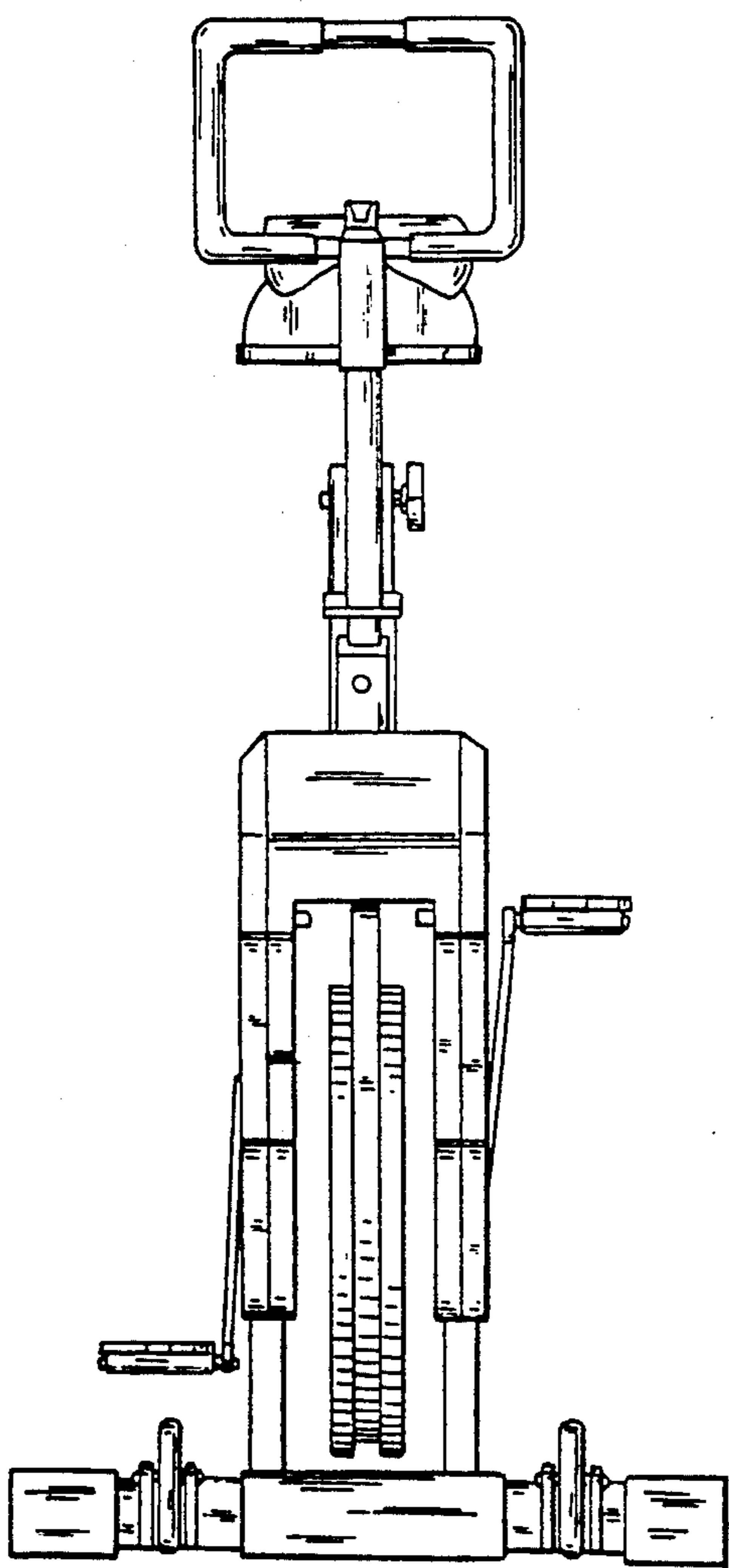


FIG. 7

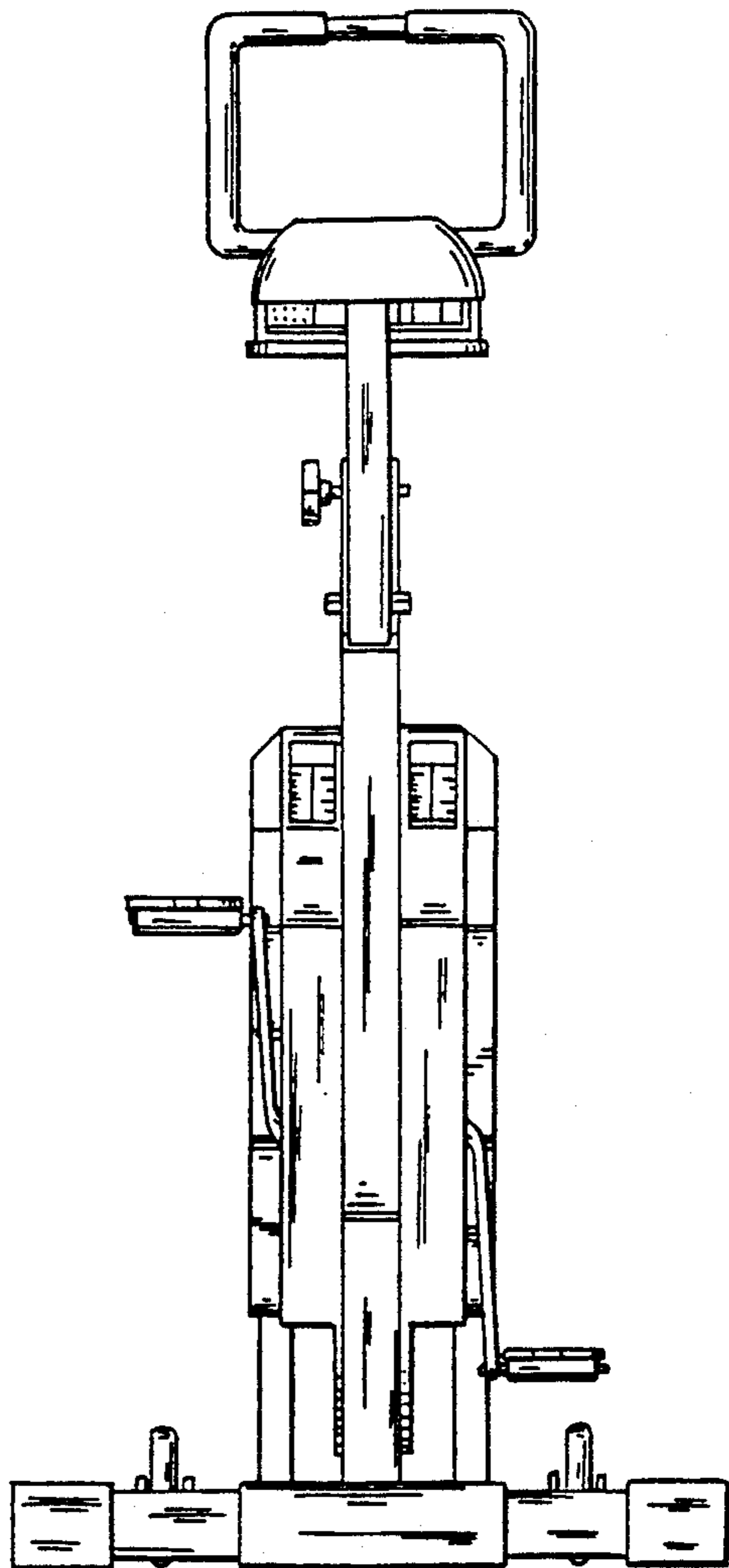


FIG. 8

UNITED STATES PATENT AND TRADEMARK OFFICE  
CERTIFICATE OF CORRECTION

PATENT NO. : D323,368

DATED : January 21, 1992

INVENTOR(S) : Tore Lennart Gustafsson

It is certified that error appears in the above-identified patent and that said Letters Patent is hereby corrected as shown below:

On the title page, items [19] and [75] should read as follows:

--[19] "Whitesel" should be deleted to read as --Gustafsson--.

[75] Inventor: "J. Warren Whitesel" should be deleted to read  
as --Tore Lennart Gustafsson--. --

Signed and Sealed this

Twenty-eighth Day of September, 1993



Attest:

BRUCE LEHMAN

Attesting Officer

Commissioner of Patents and Trademarks