



US00D323361S

United States Patent [19]

[11] Patent Number: **Des. 323,361**

Kohno

[45] Date of Patent: **** Jan. 21, 1992**

[54] **REMOTE CONTROL UNIT**

[75] Inventor: **Naoichi Kohno, Mobara, Japan**

[73] Assignee: **Futaba Denshi Kogyo Kabushiki Kaisha, Mobara, Japan**

[**] Term: **14 Years**

[21] Appl. No.: **183,166**

[22] Filed: **Apr. 19, 1988**

[30] **Foreign Application Priority Data**

Feb. 24, 1988 [JP] Japan 63-6999

[52] U.S. Cl. **D21/142**

[58] Field of Search **D13/12; D21/141, 142, D21/143, 48; 446/454, 455, 456; 273/86 B**

[56] **References Cited**

U.S. PATENT DOCUMENTS

D. 283,718 5/1986 Kondo **D21/142**

OTHER PUBLICATIONS

Midnight Transfer Magazine, Spring 1987, p. 16, Magnum Sports Remote.

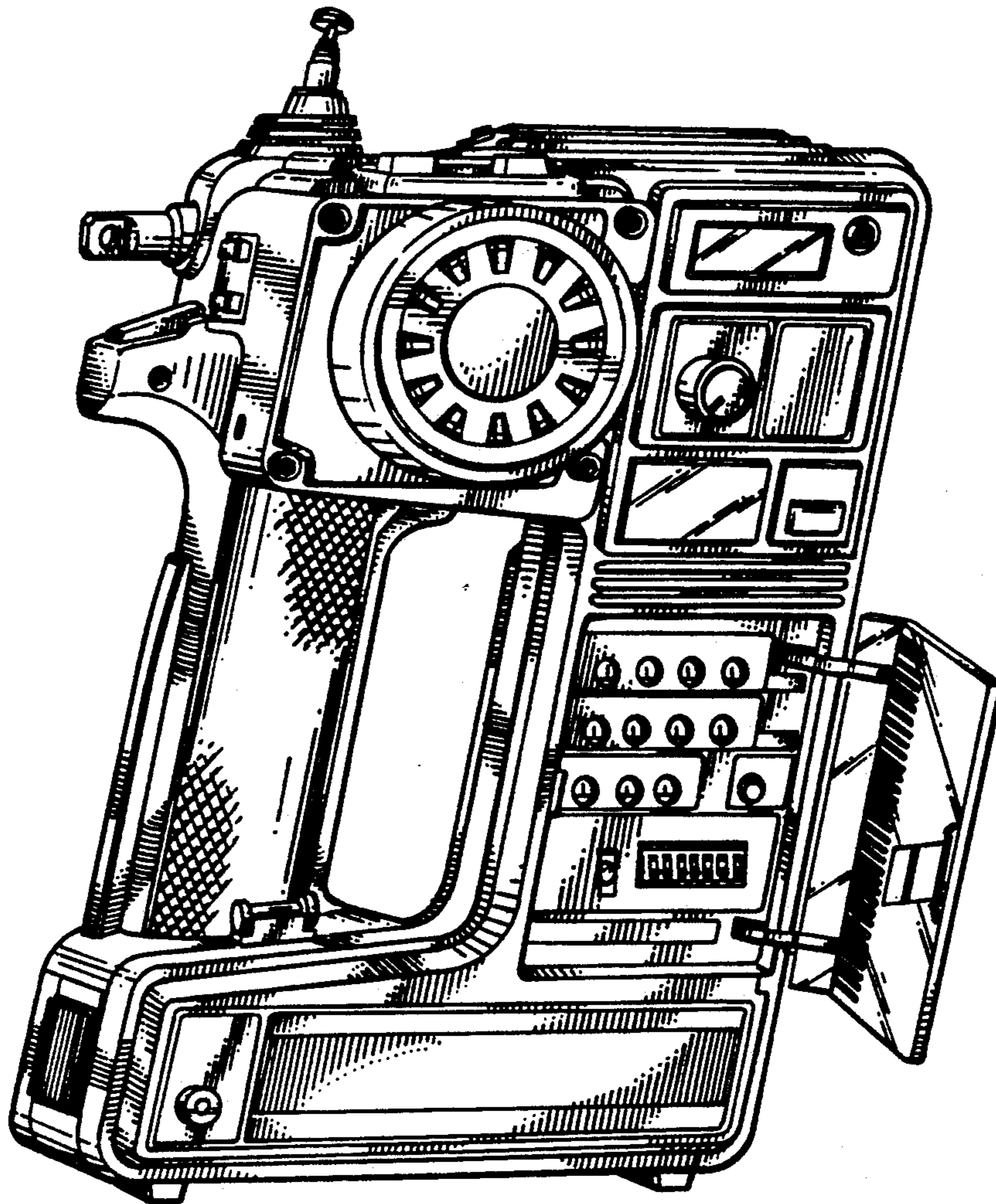
Primary Examiner—Bernard Ansher
Assistant Examiner—Philip Hyder
Attorney, Agent, or Firm—Oblon, Spivak, McClelland, Maier & Neustadt

[57] **CLAIM**

The ornamental design for a remote control unit, as shown and described.

DESCRIPTION

FIG. 1 is a front elevational view of a remote control showing my new design;
FIG. 2 is a rear elevational view thereof;
FIG. 3 is a left side elevational view thereof;
FIG. 4 is a right elevational view thereof;
FIG. 5 is a top plan view thereof;
FIG. 6 is a bottom plan view thereof;
FIG. 7 is a perspective view thereof with the switch cover in a closed position;
FIG. 8 is a perspective view thereof with the switch cover in an open position; and
FIG. 9 is a perspective view thereof, with the antenna in an extended position and shown fragmented for ease of illustration.



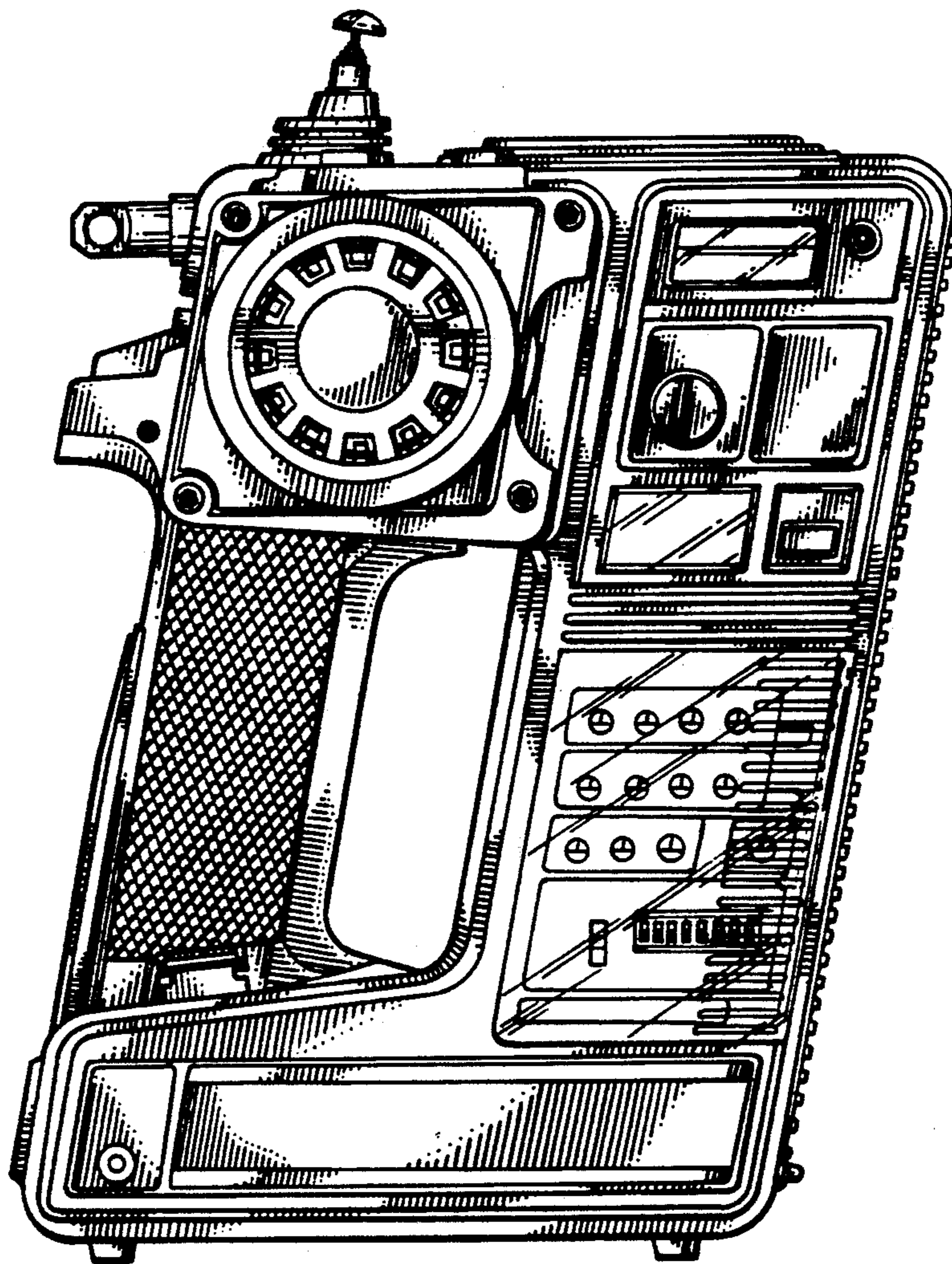


FIG. 1

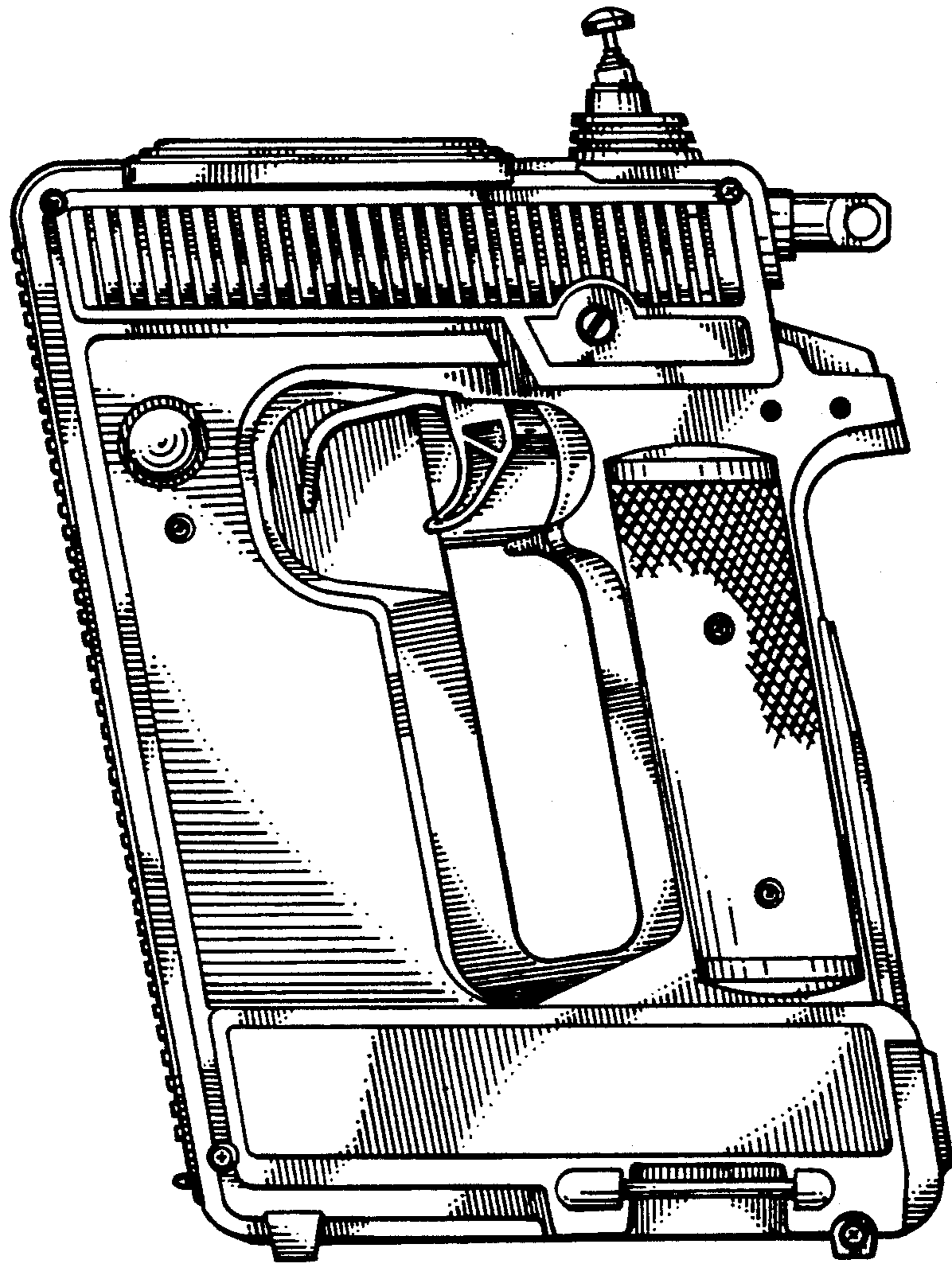


FIG. 2

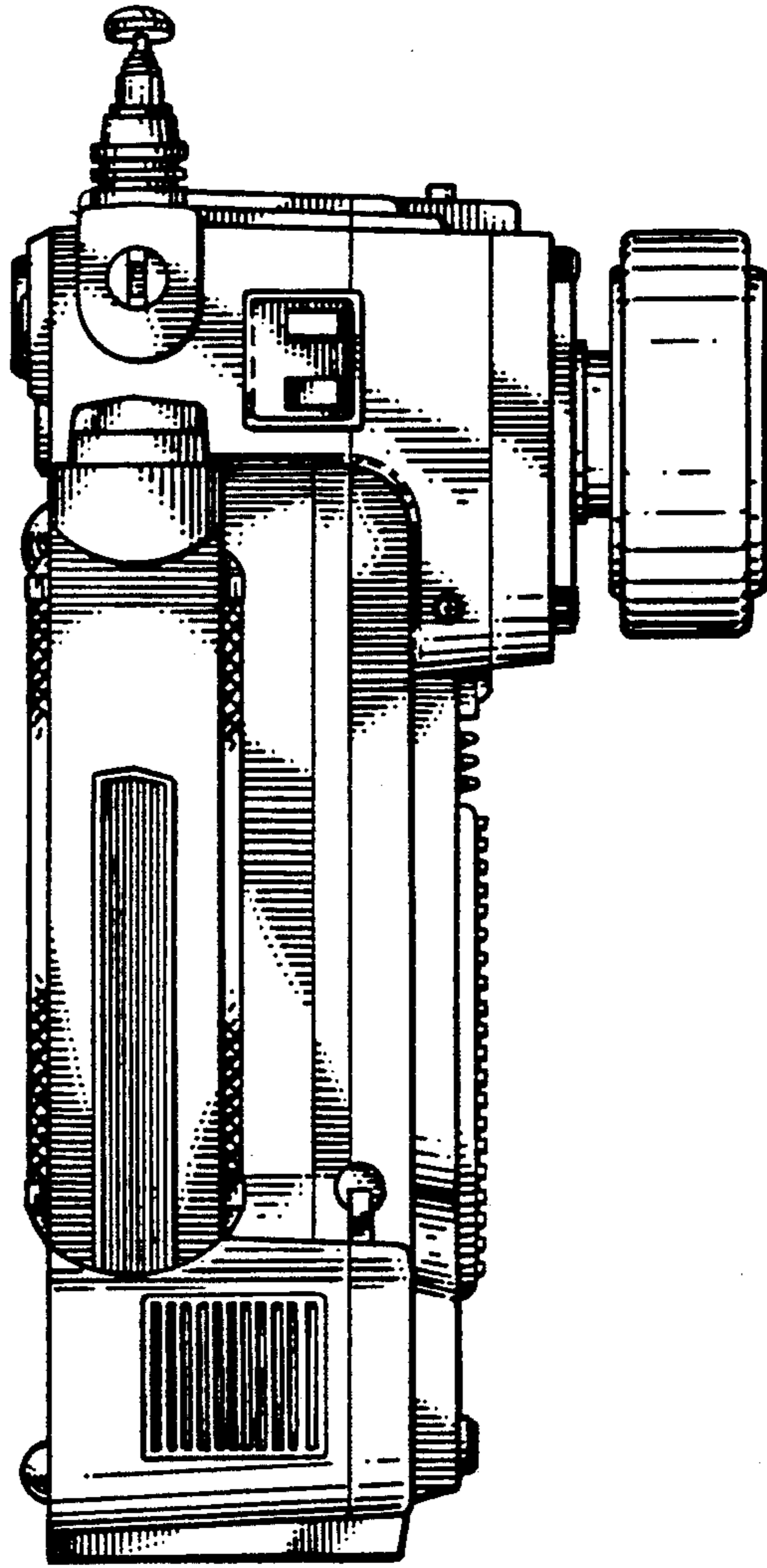


FIG. 3

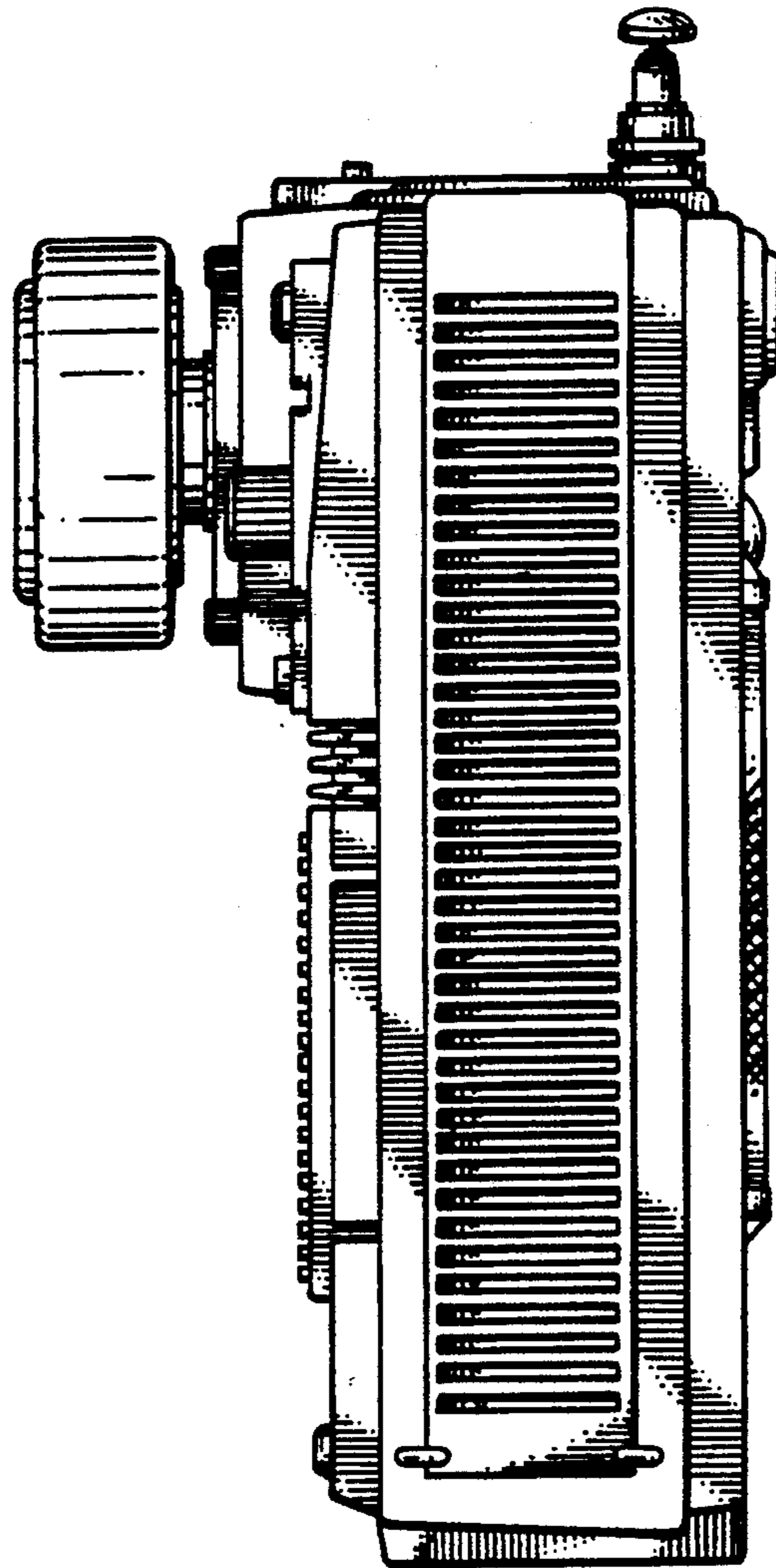


FIG. 4

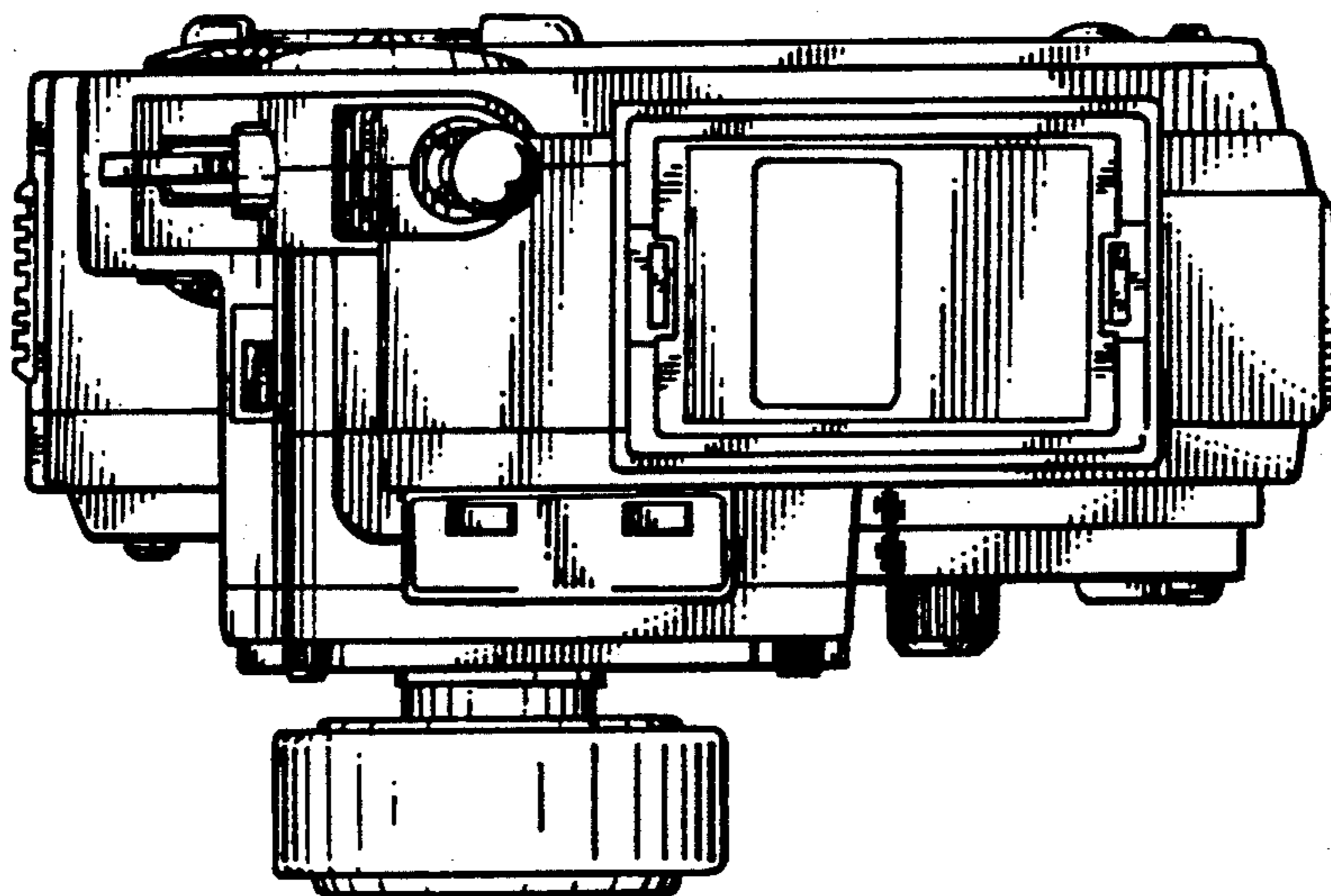


FIG. 5

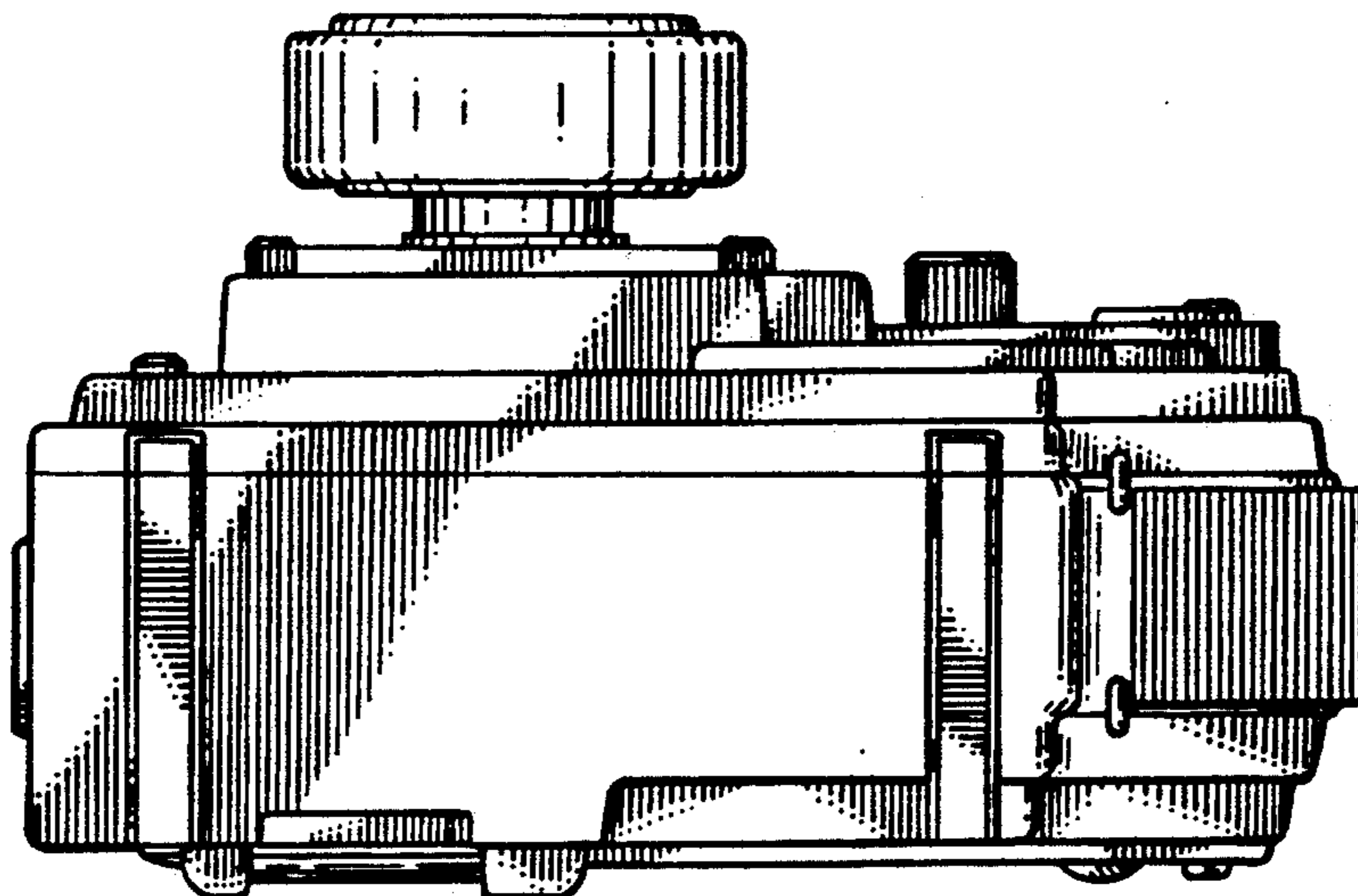


FIG. 6

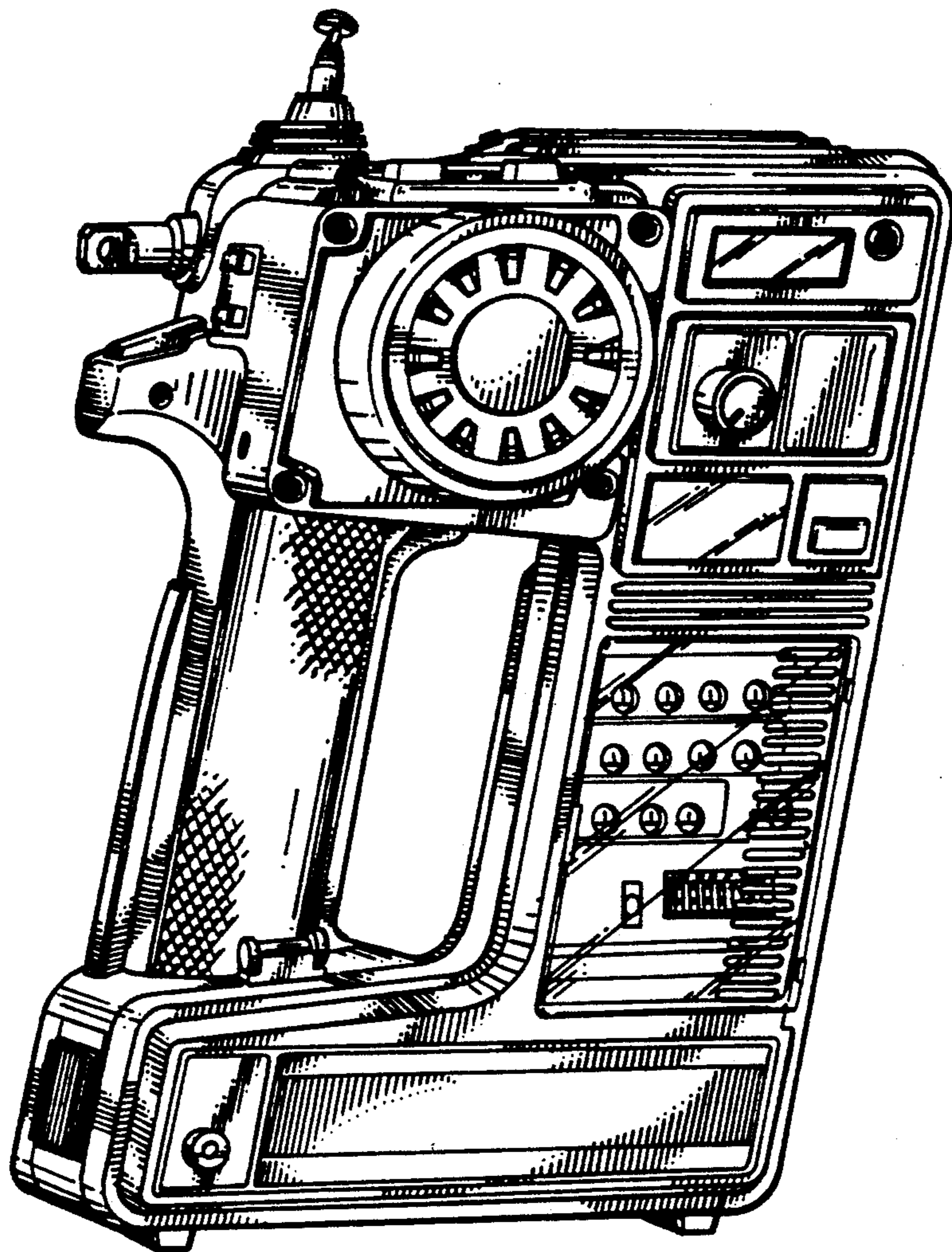


FIG. 7

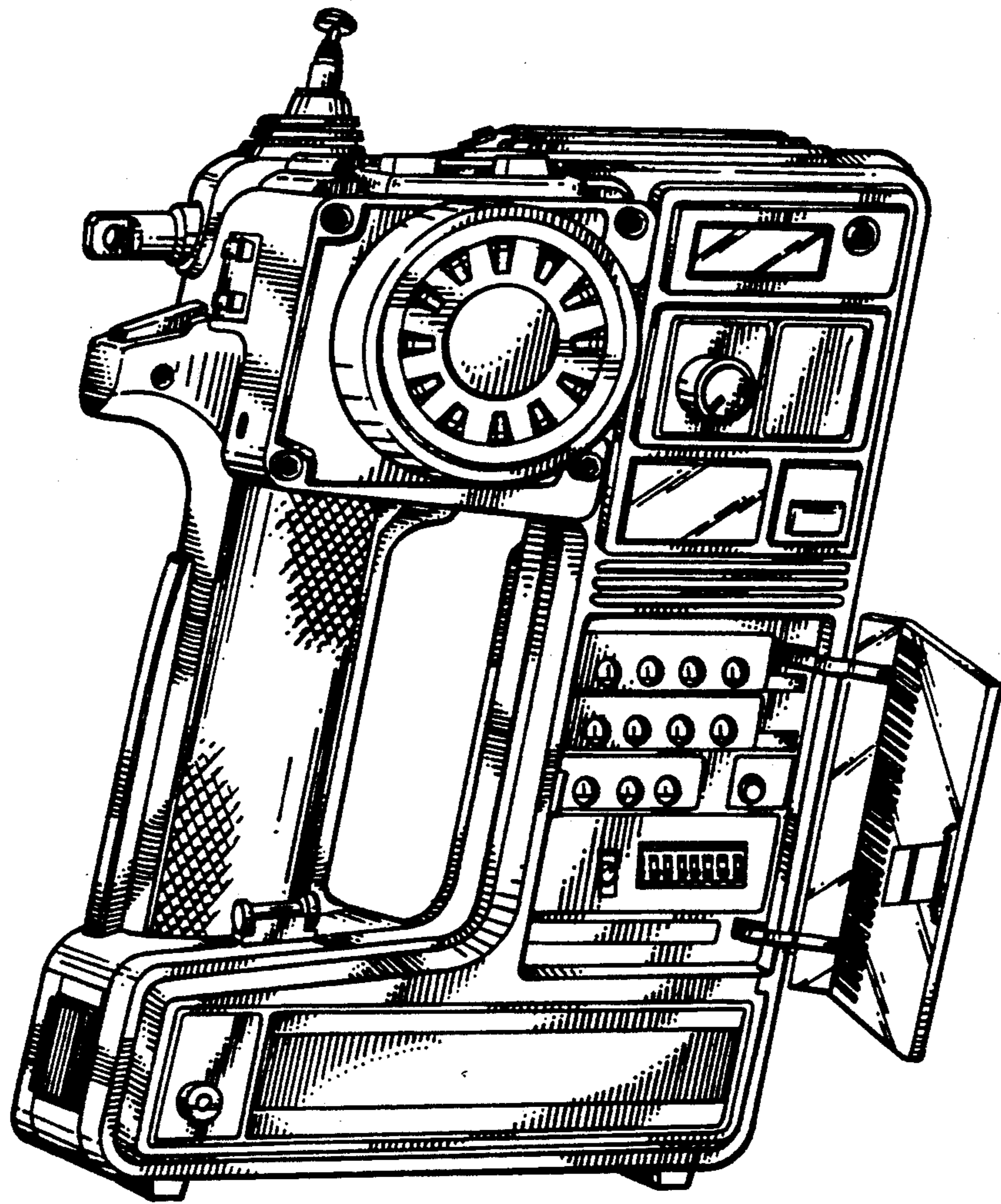


FIG. 8

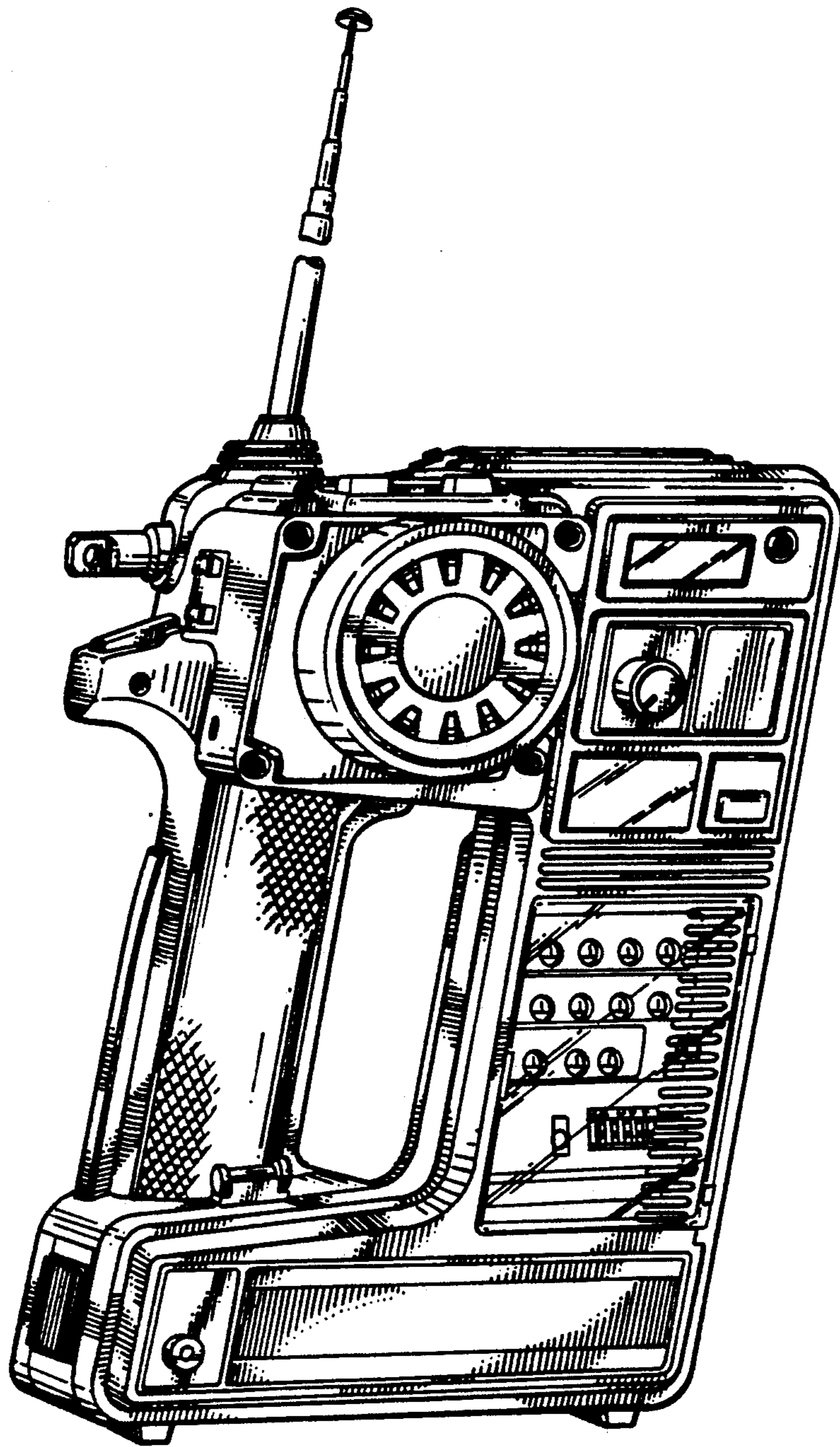


FIG. 9