



US00D323358S

United States Patent [19]

[11] Patent Number: **Des. 323,358**

Workman

[45] Date of Patent: **** Jan. 21, 1992**

[54] GAME

[76] Inventor: **Tom E. Workman**, 4000 Rock Creek Dr., Dallas, Tex. 75204

[**] Term: **14 Years**

[21] Appl. No.: **330,868**

[22] Filed: **Mar. 29, 1989**

[52] U.S. Cl. **D21/40**

[58] Field of Search **D21/40, 37; 273/118 R, 273/123 R, 138 R, 142 D-142 G**

1,560,496 4/1923 Bakketun .
3,989,252 11/1976 Mattson .
4,222,561 9/1980 Whitten 273/142 E X

FOREIGN PATENT DOCUMENTS

305747 5/1955 Switzerland 273/142 F

Primary Examiner—Terry A. Pfeffer
Attorney, Agent, or Firm—Warren B. Kice

[57] CLAIM

The ornamental design for a game, as shown and described.

[56] References Cited

U.S. PATENT DOCUMENTS

434,721 8/1890 Peters .
1,340,304 5/1920 Taussig et al. .
1,427,135 8/1922 Tenney .
1,468,984 10/1922 Weaver .
1,520,697 12/1924 Carlson 273/142 F

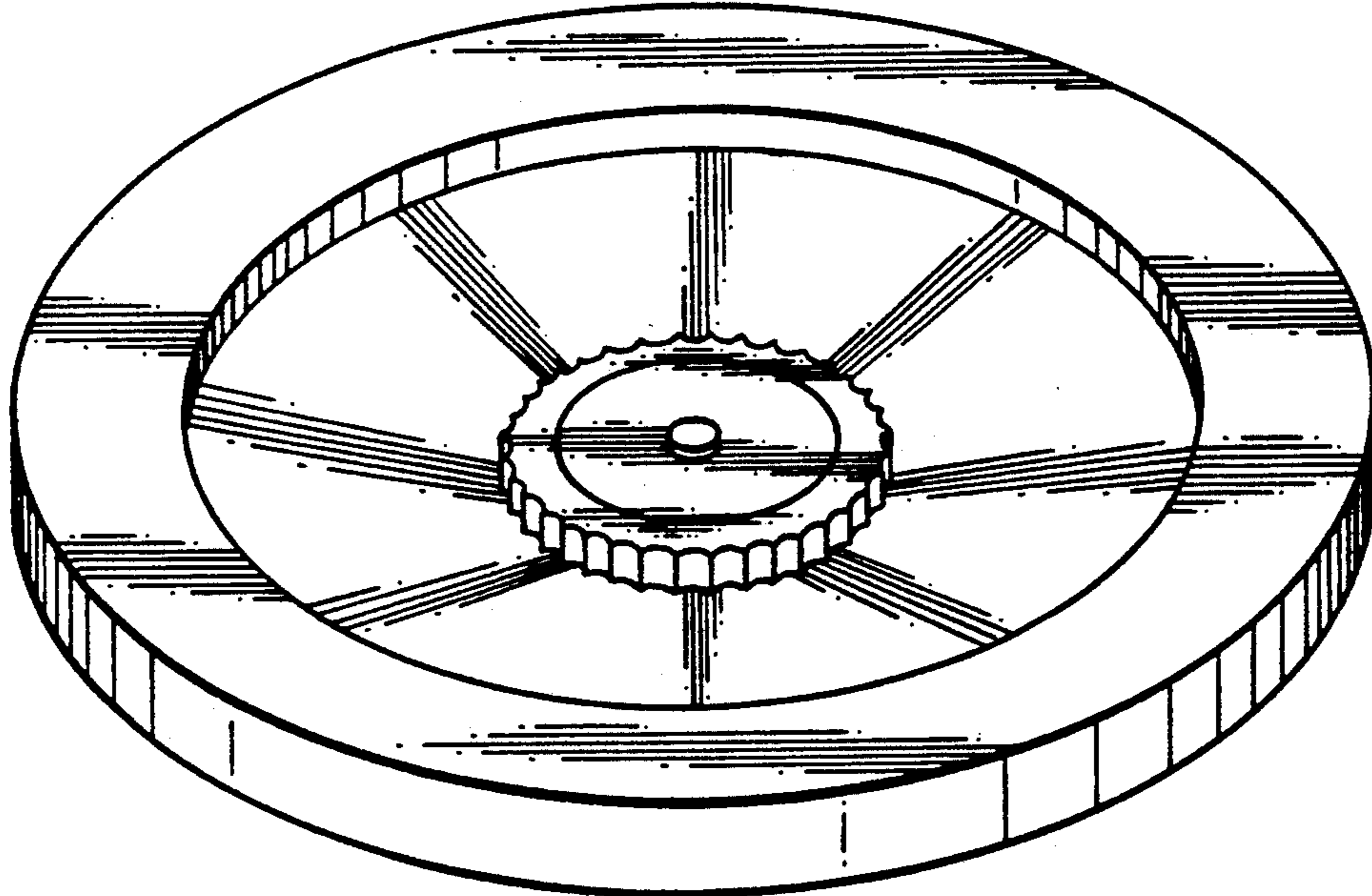
DESCRIPTION

FIG. 1 is a perspective view of the game showing my new design;

FIG. 2 is a front elevational view thereof; and

FIG. 3 is a top plan view thereof.

The undisclosed bottom view is planar and unornamented.



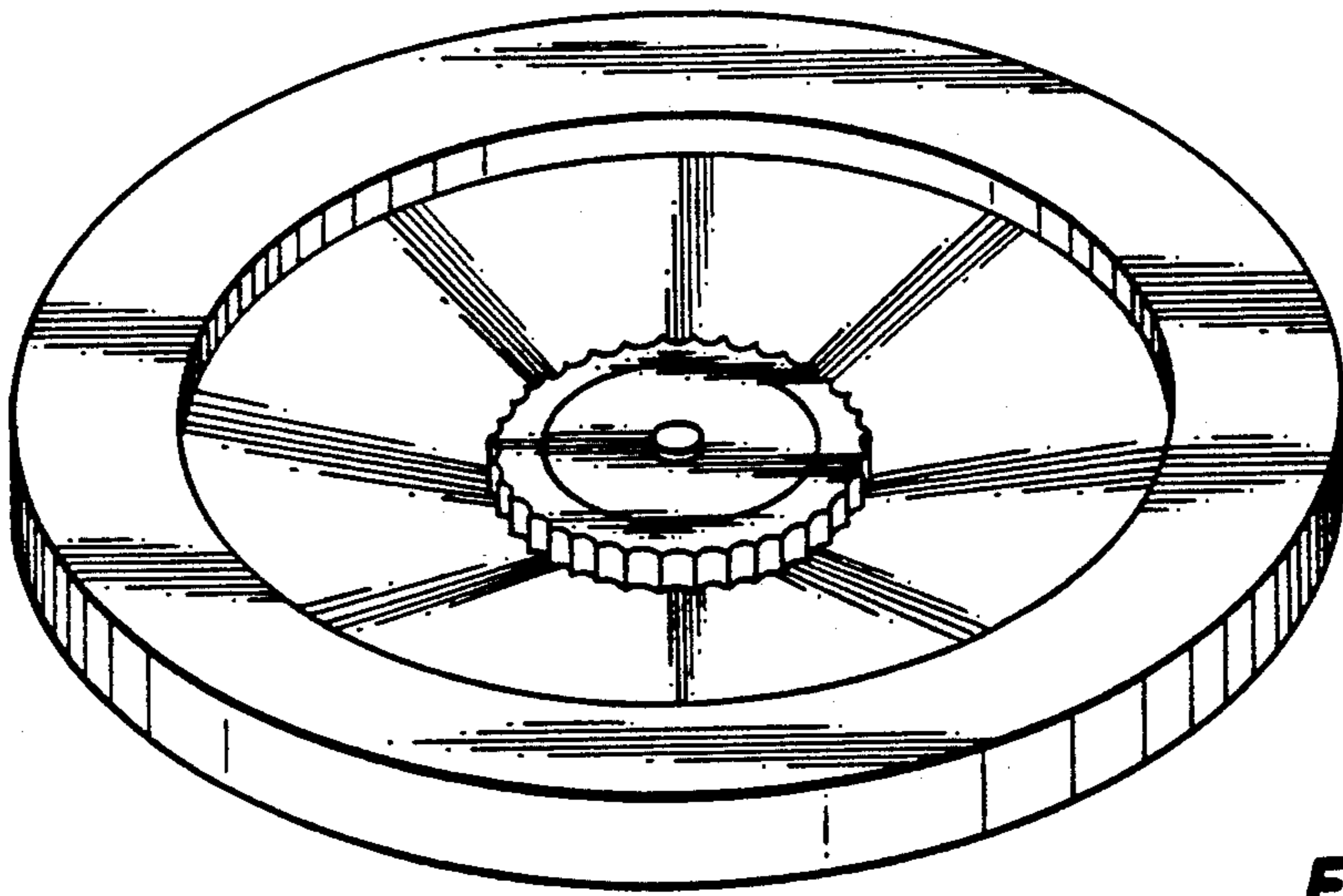


FIG. 1

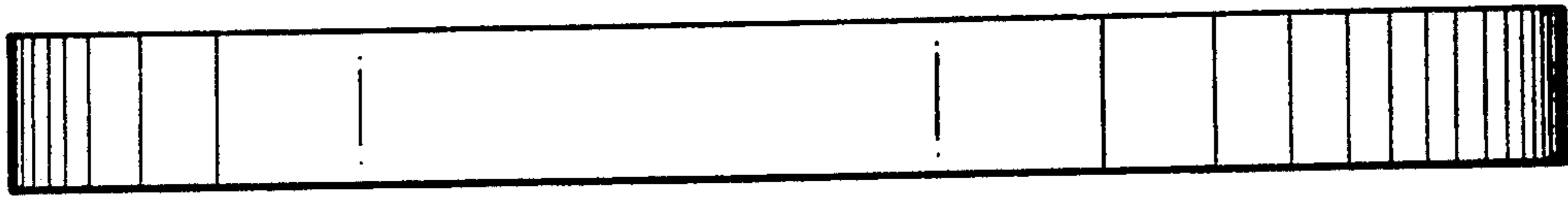


FIG. 2

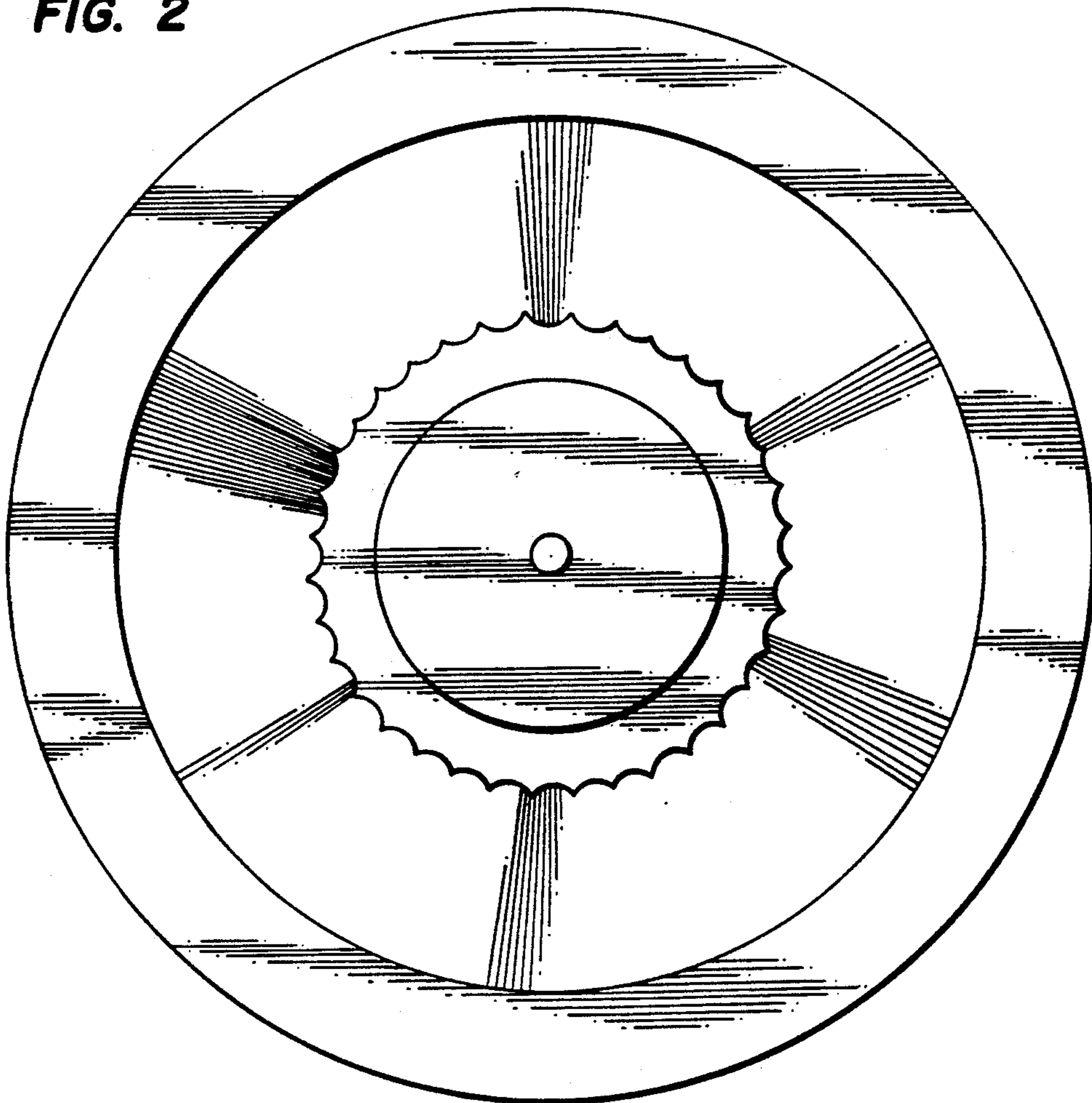


FIG. 3