



US00D323356S

# United States Patent [19]

[11] Patent Number: **Des. 323,356**

**Hofman**

[45] Date of Patent: **\*\* Jan. 21, 1992**

- [54] **SLIDEABLE DISPLAY SIGN**
- [75] Inventor: **James Hofman, Lake Bluff, Ill.**
- [73] Assignee: **Eldon Industries, Inc., Inglewood, Calif.**
- [\*\*] Term: **14 Years**
- [21] Appl. No.: **622,811**
- [22] Filed: **Dec. 3, 1990**
- [52] U.S. Cl. .... **D20/40; D20/10**
- [58] Field of Search ..... **D20/10, 22, 40, 41, D20/42, 43, 44; 40/64 R, 65, 156, 488, 489, 490, 491**

4,149,330	4/1979	Huff .....	40/491
4,217,713	8/1980	Greenberger .....	40/491
4,768,299	9/1988	Ackeret .....	40/490
4,776,119	10/1988	Ackeret .....	40/490

*Primary Examiner*—Wallace R. Burke  
*Assistant Examiner*—Marcus Jackson

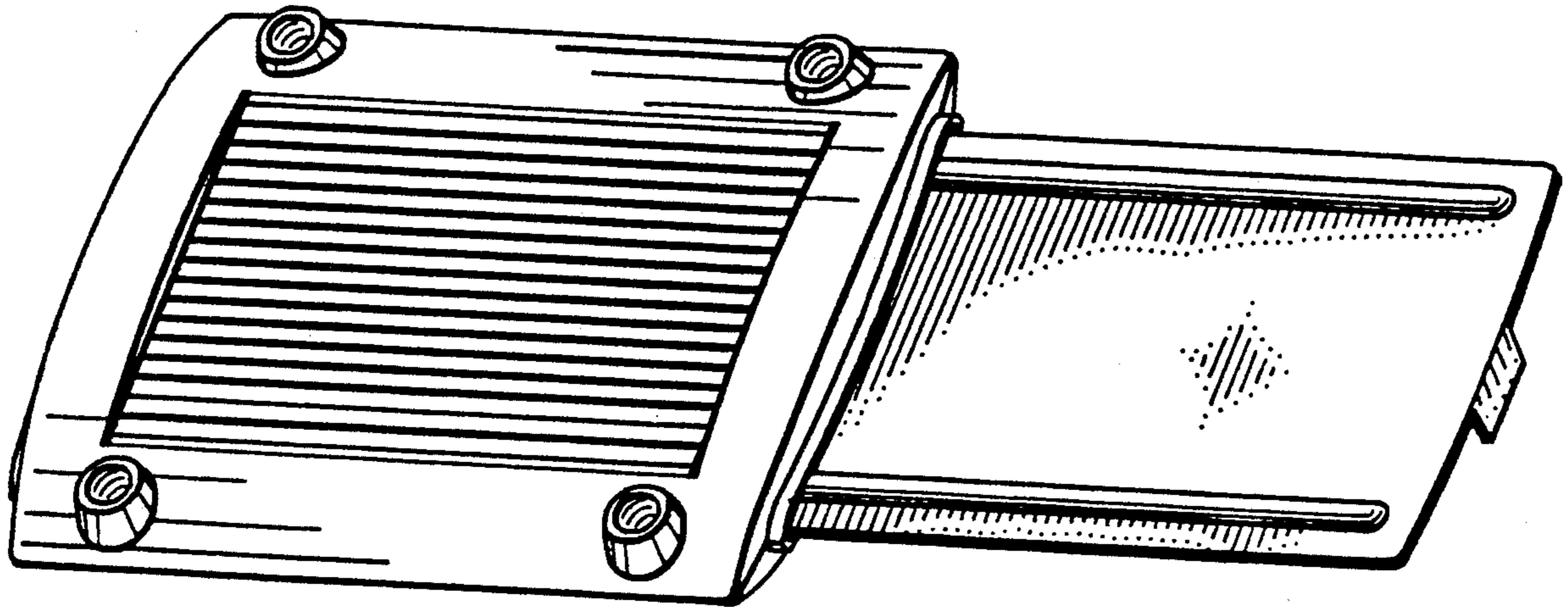
### [57] CLAIM

The ornamental design for a slideable display sign, as shown and described.

### DESCRIPTION

FIG. 1 is a front elevational view of a slideable display sign showing my new design;  
 FIG. 2 is a front elevational view thereof, with the sliding portion in alternate position;  
 FIG. 3 is a side elevational view thereof, with the opposite side being a mirror image;  
 FIG. 4 is a rear elevational view thereof;  
 FIG. 5 is an end elevational view thereof, with the opposite end being a mirror image; and  
 FIG. 6 is a perspective view thereof.

- [56] **References Cited**
- U.S. PATENT DOCUMENTS**
- D. 314,016 1/1991 Mitchell ..... D20/43
- 3,748,767 7/1973 Giesecke ..... 40/65
- 3,769,727 11/1973 Kent, Jr. .... 40/62
- 3,914,890 10/1975 Behlen, Jr. .... 40/64 R
- 3,991,495 11/1976 Wilson ..... 40/64 R



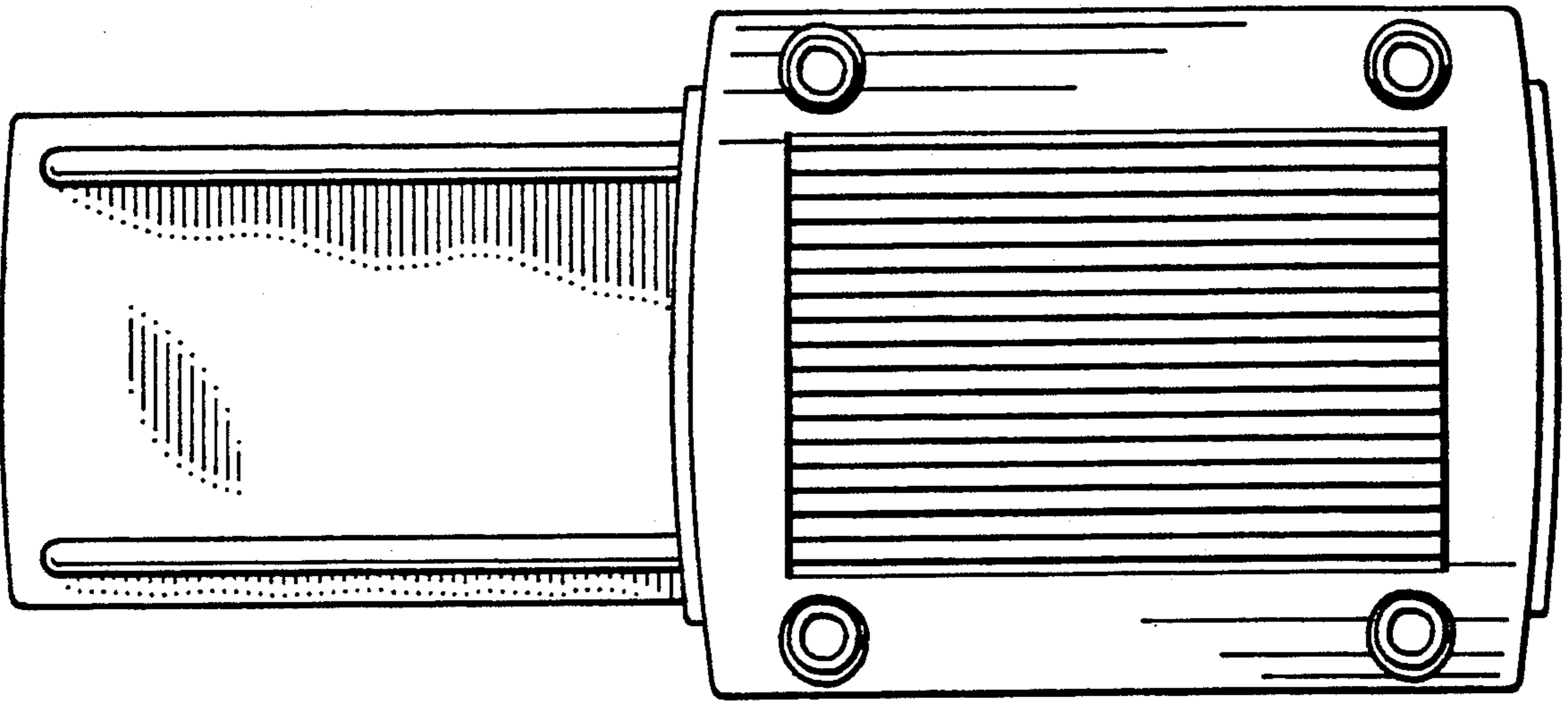


FIG. 1

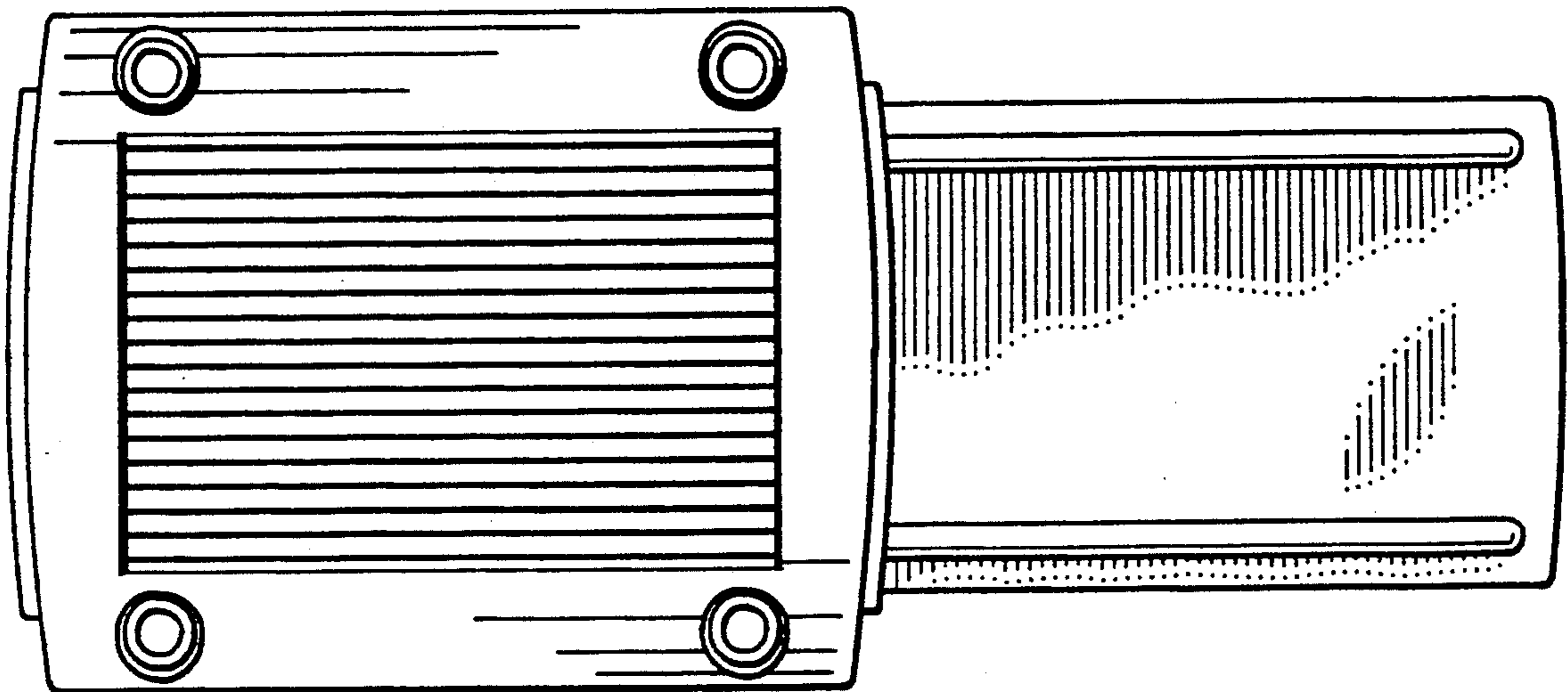


FIG. 2



FIG. 3

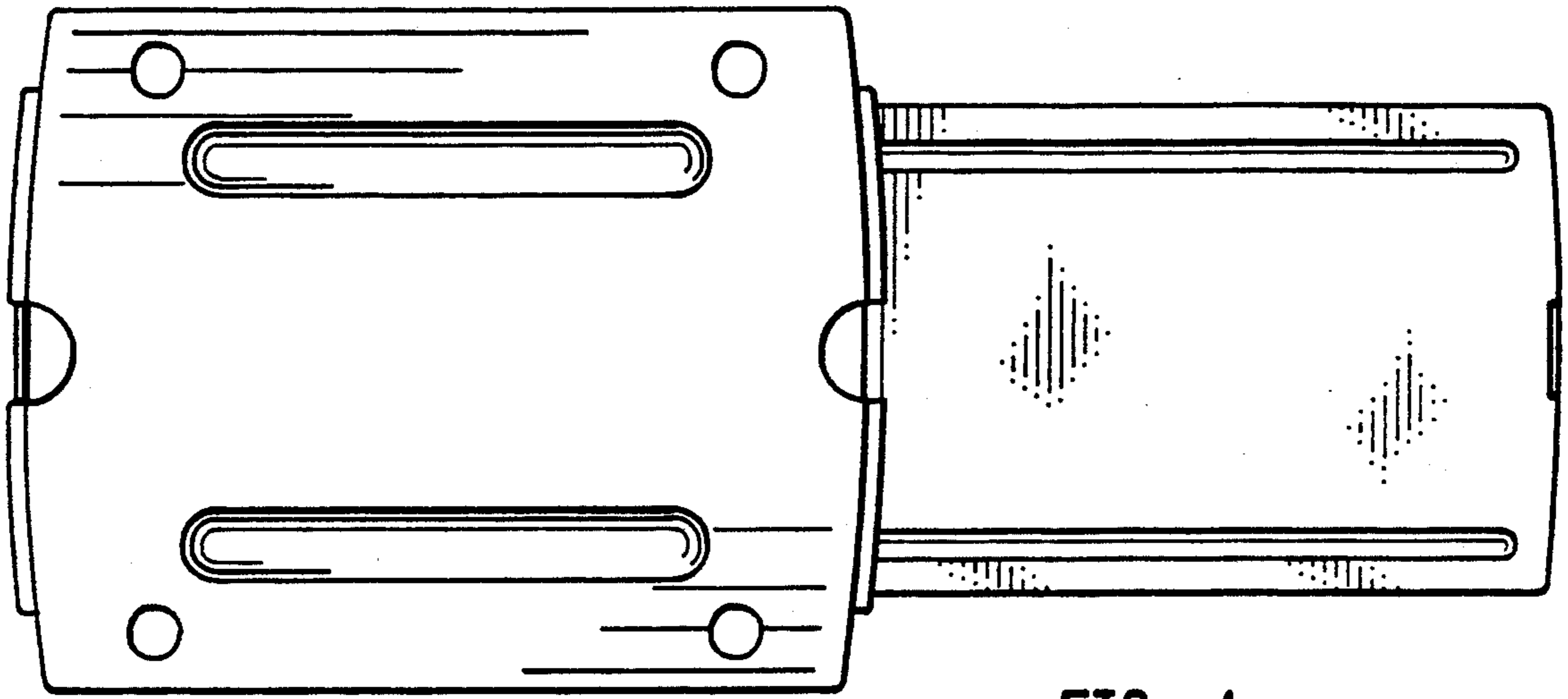


FIG. 4



FIG. 5

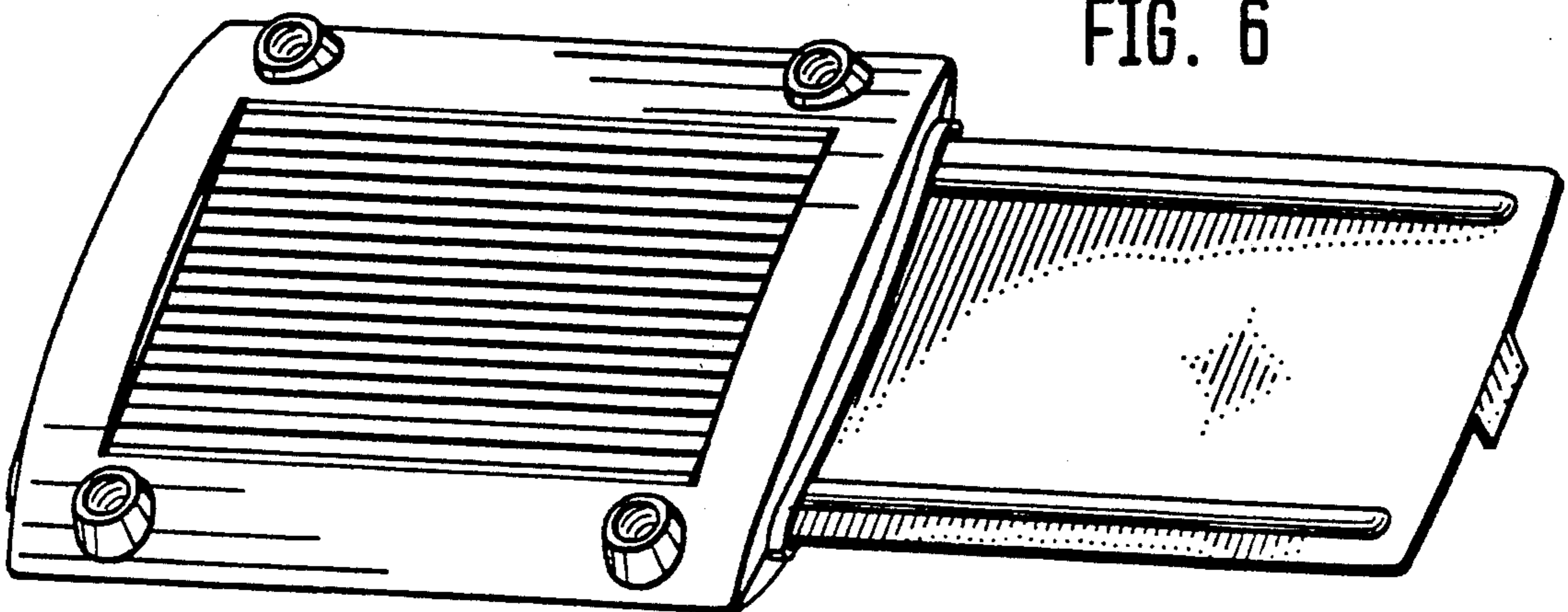


FIG. 6