



US00D323354S

# United States Patent [19]

[11] Patent Number: **Des. 323,354**

Nava

[45] Date of Patent: **\*\* Jan. 21, 1992**

[54] **COMBINED PAPER TRAY AND STORAGE DRAWER**

[75] Inventor: **Rinaldo Nava, Milan, Italy**

[73] Assignee: **Nava Milano S.p.A., Milan, Italy**

[\*\*] Term: **14 Years**

[21] Appl. No.: **384,518**

[22] Filed: **Jul. 24, 1989**

[30] **Foreign Application Priority Data**

Jan. 25, 1989 [IT] Italy ..... 20479/89[U]

[52] U.S. Cl. .... **D19/78; D19/83; D19/86; D19/92**

[58] Field of Search ..... **D6/476; D19/35, 36, D19/52, 65, 75, 77, 78, 86, 92, 95, 99, 100, 81-85; 206/1.7-1.9, 215, 39.6, 555; 211/126**

[56] **References Cited**

**U.S. PATENT DOCUMENTS**

- D. 27,143 6/1897 Allen ..... D19/52
- D. 132,963 7/1942 Salomon ..... D6/476
- D. 179,652 2/1957 Olson ..... D19/92 X

- 774,754 11/1904 Hicks ..... 206/39.6
- 885,420 4/1908 Ansell ..... 206/215 X
- 1,252,092 1/1918 Carrier ..... 206/555 X
- 4,142,627 3/1979 Szegi ..... 206/1.7
- 4,838,422 6/1989 Gregerson ..... 206/555 X

*Primary Examiner*—Bruce W. Dunkins  
*Assistant Examiner*—Martha Thompson  
*Attorney, Agent, or Firm*—Guido Modiano; Albert Josif

[57] **CLAIM**

The ornamental design for a combined paper tray and storage drawer, as shown and described.

**DESCRIPTION**

FIG. 1 is a top, right front perspective view of a combined paper tray and storage drawer showing my new design;

FIG. 2 is a top, right front perspective view thereof with the drawer section in a closed position;

FIG. 3 is a top plan view of FIG. 2;

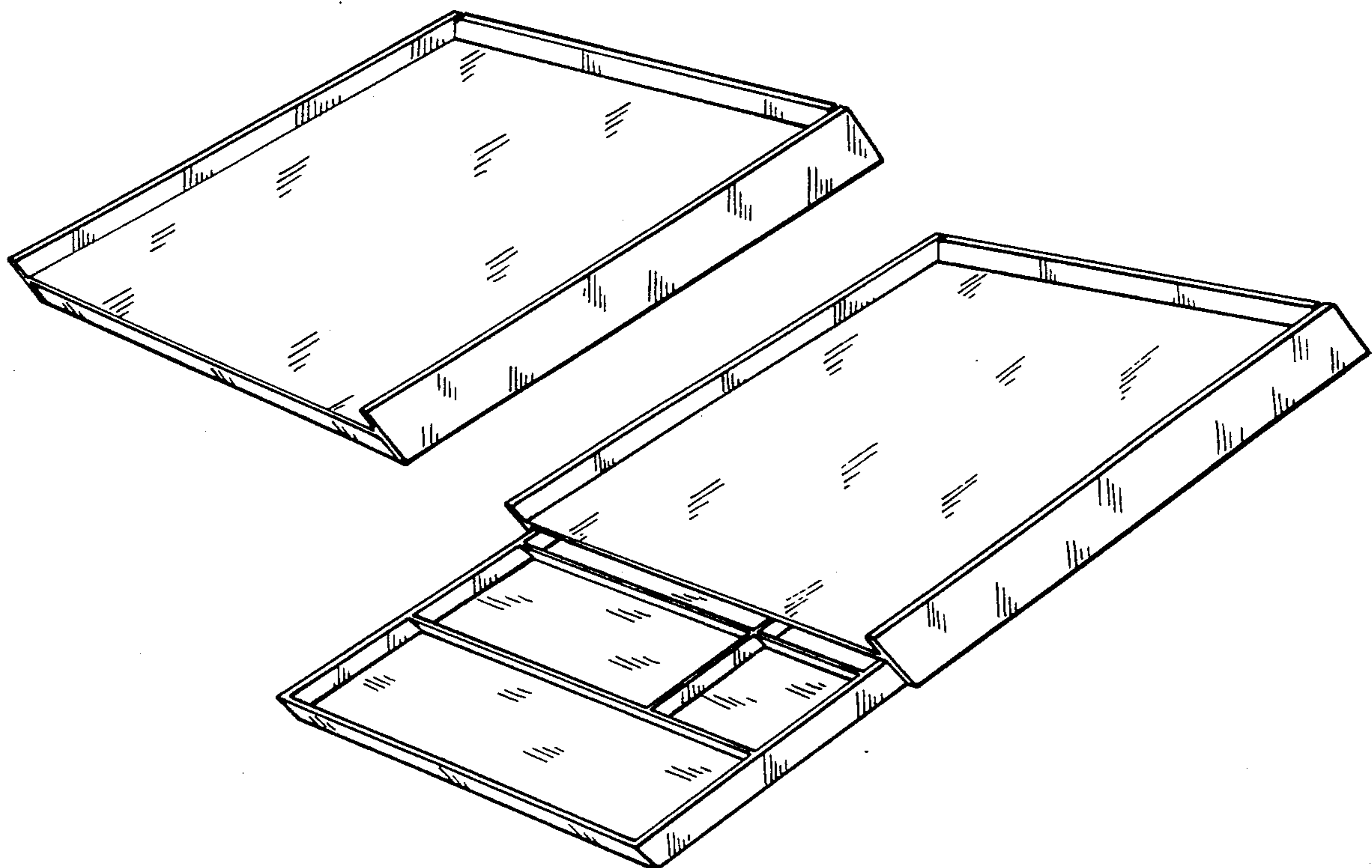
FIG. 4 is a bottom plan view of FIG. 2;

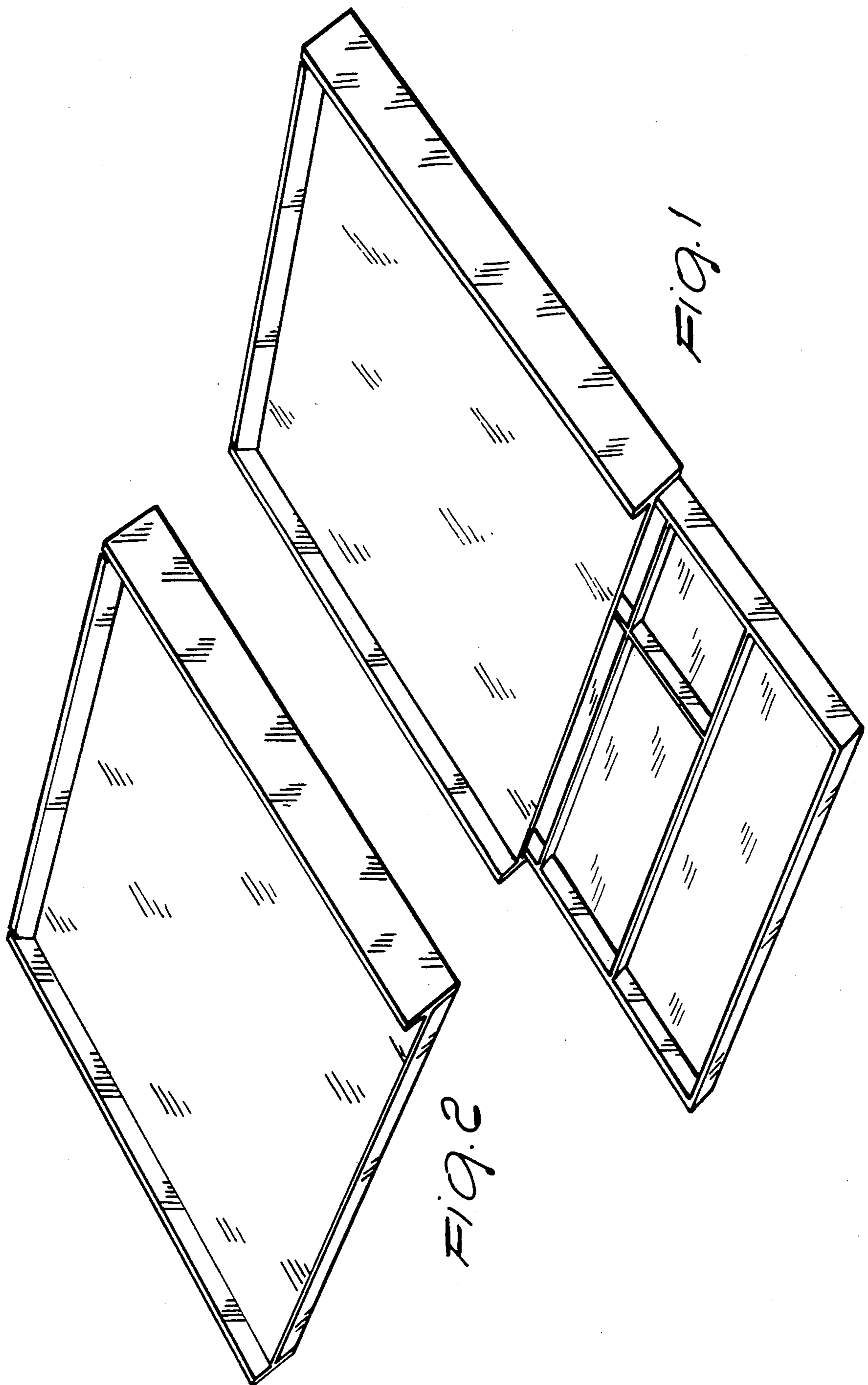
FIG. 5 is a front elevational view of FIG. 2;

FIG. 6 is a rear elevational view of FIG. 2;

FIG. 7 is a right side elevational view of FIG. 2; and

FIG. 8 is a left side elevational view of FIG. 2.





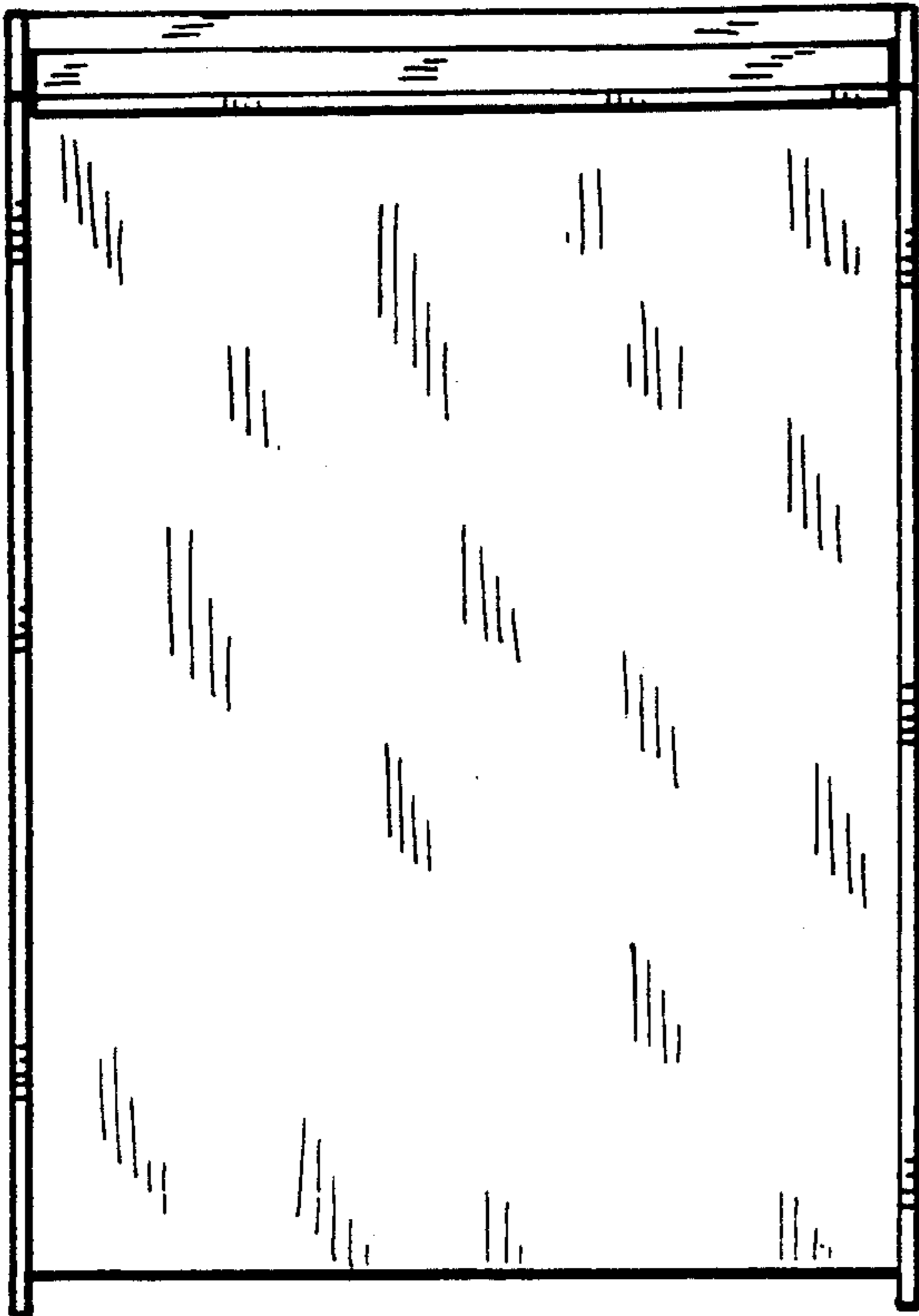


FIG. 3

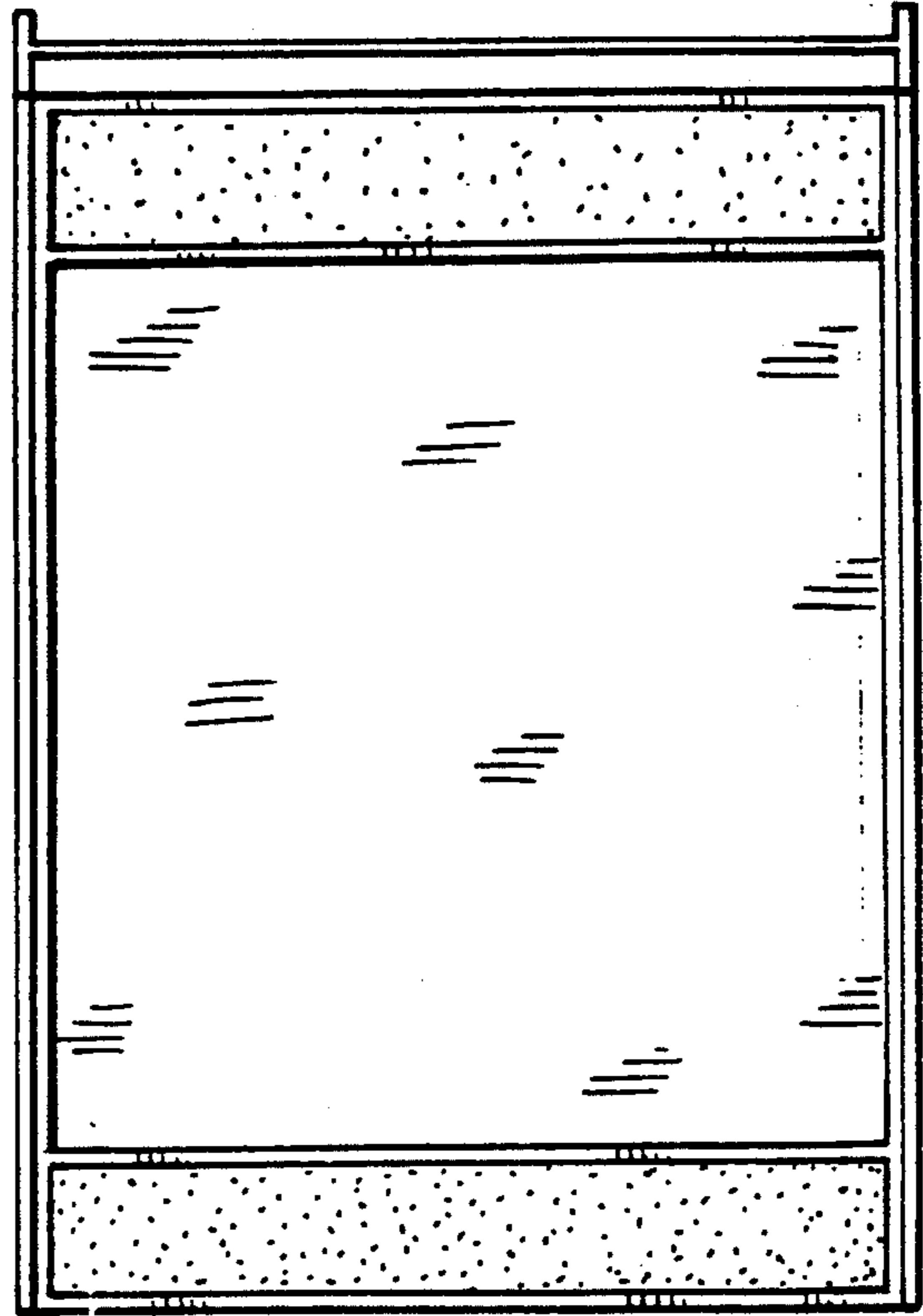


FIG. 4



FIG. 5

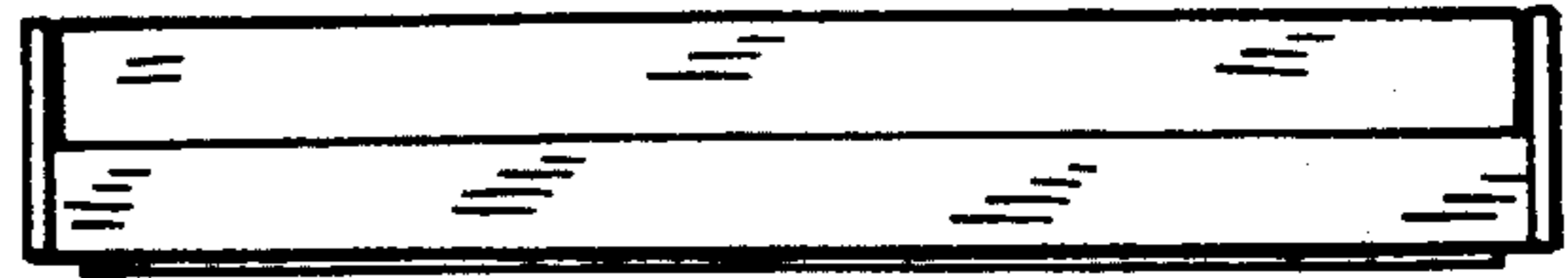


FIG. 6

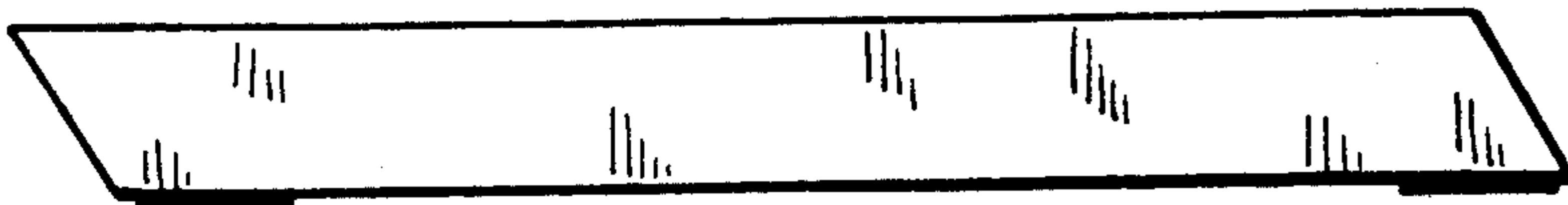


FIG. 7



FIG. 8