



US00D323351S

United States Patent [19]

[11] Patent Number: **Des. 323,351**

Bulow et al.

[45] Date of Patent: **** Jan. 21, 1992**

[54] **VIDEO TRAINING DEVICE**

[75] Inventors: **George M. Bulow, New York, N.Y.;
Robert B. Staubitz, Collinsville;
Robert H. Bruno, Avon, both of
Conn.**

[73] Assignee: **Interactive International, Inc., New
York, N.Y.**

[**] Term: **14 Years**

[21] Appl. No.: **461,433**

[22] Filed: **Jan. 5, 1990**

[52] U.S. Cl. **D19/62**

[58] Field of Search **D19/59, 60, 61, 62,
D19/63, 64; D18/6; D21/13; D14/103, 113,
126, 135, 125, 124; 434/224, 227, 308, 195, 335,
322, 323, 324, 228, 365**

[56] **References Cited**

U.S. PATENT DOCUMENTS

D. 194,292 12/1962 Koons et al. **D18/6 X**

D. 218,760 9/1970 Jelinek **D14/103 X**
D. 251,295 3/1979 Wilson et al. **D14/103**
D. 273,594 4/1984 Lovejoy **D19/60**

Primary Examiner—Wallace R. Burke
Assistant Examiner—P. Schmidt
Attorney, Agent, or Firm—Darby & Darby

[57] **CLAIM**

The ornamental design for a video training device, as shown and described.

DESCRIPTION

FIG. 1 is a top perspective view of a video training device showing our new design; FIG. 2 is a left side elevational view thereof; FIG. 3 is a front elevational view thereof; FIG. 4 is a right side elevational view thereof; FIG. 5 is a rear elevational view thereof; FIG. 6 is a top plan view thereof; and FIG. 7 is a bottom plan view thereof. The stippled element under the screen in FIGS. 1, 3 and 6 represents a conventional speaker grill.

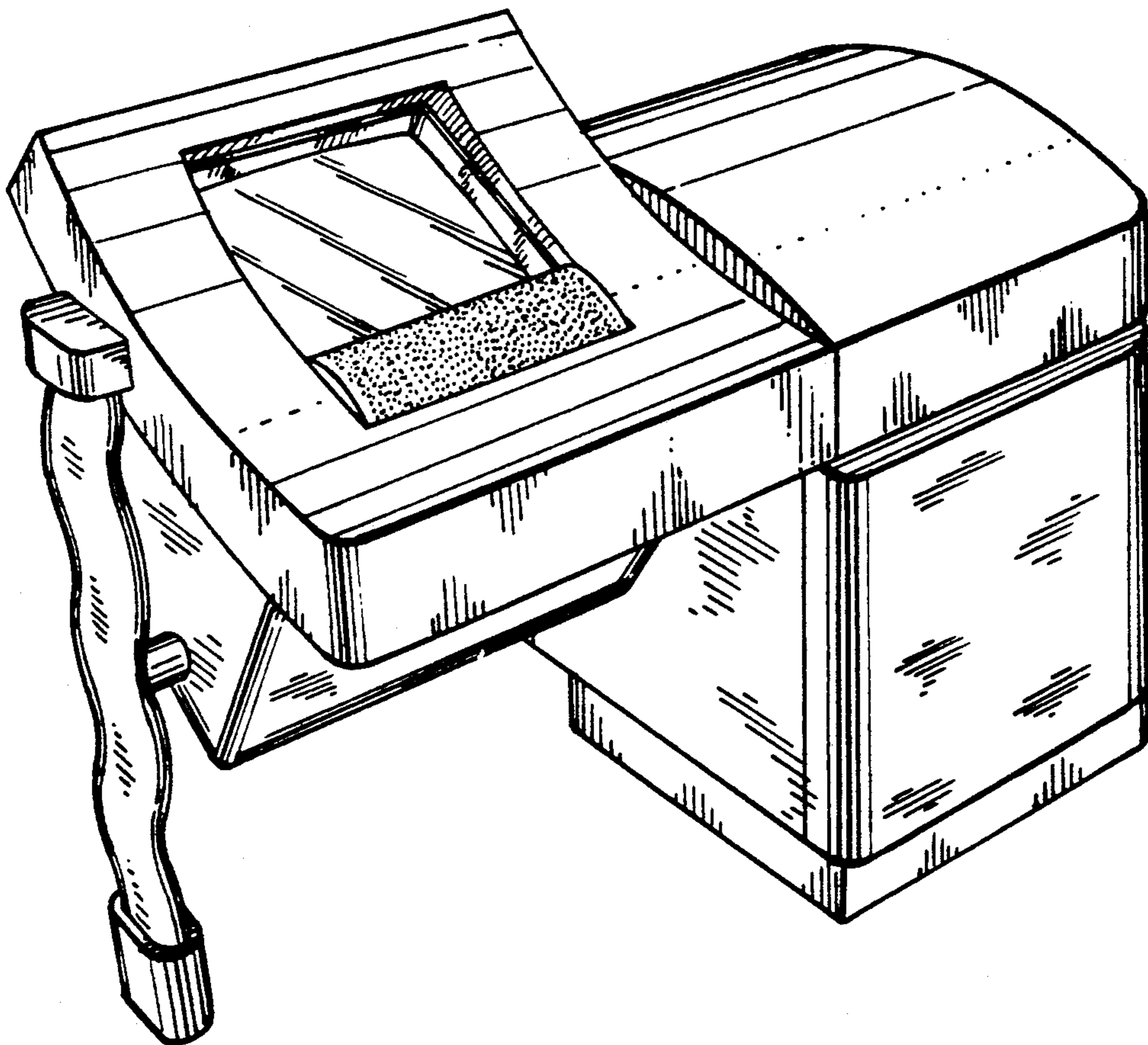


FIG. 1

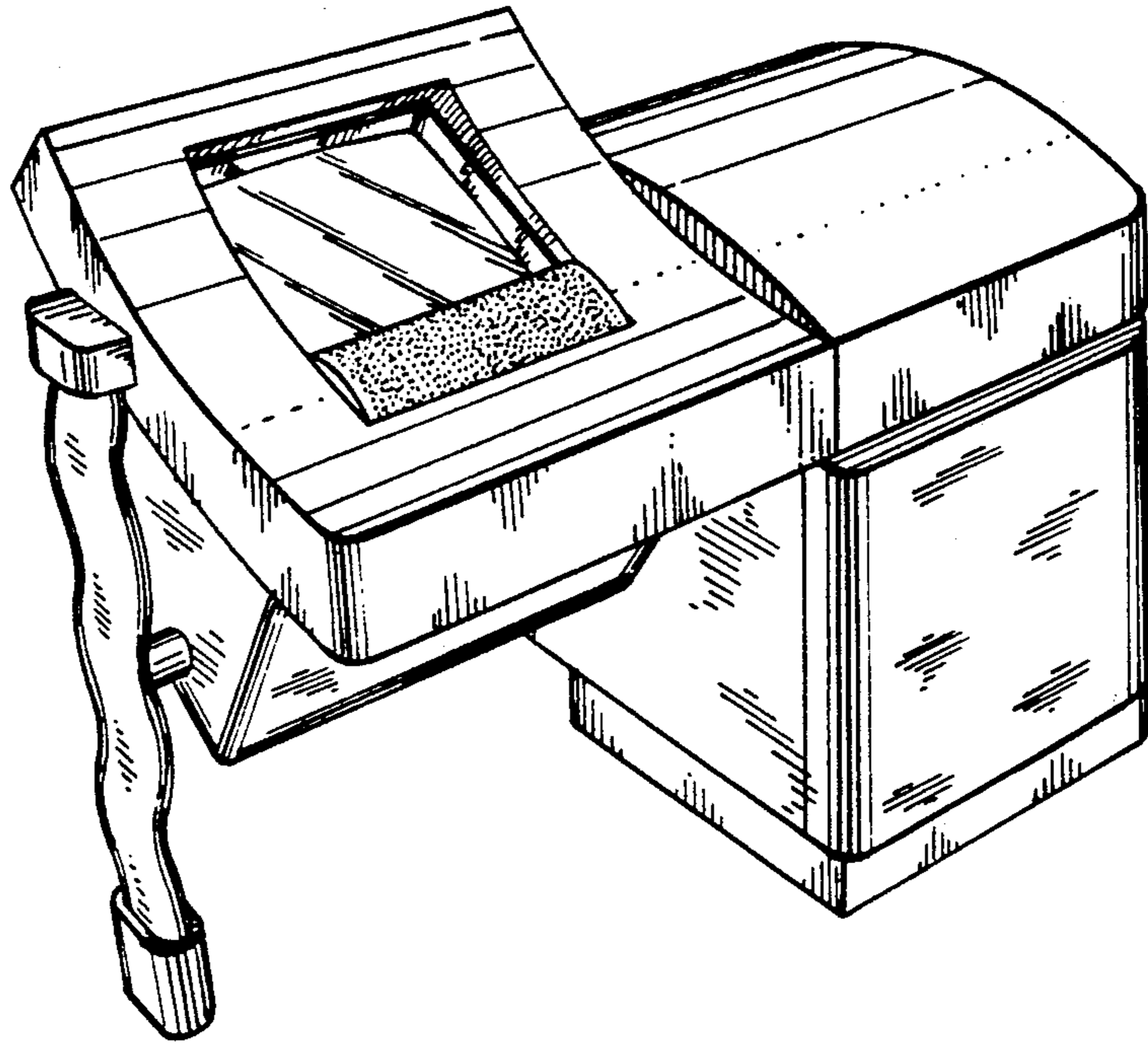


FIG. 2

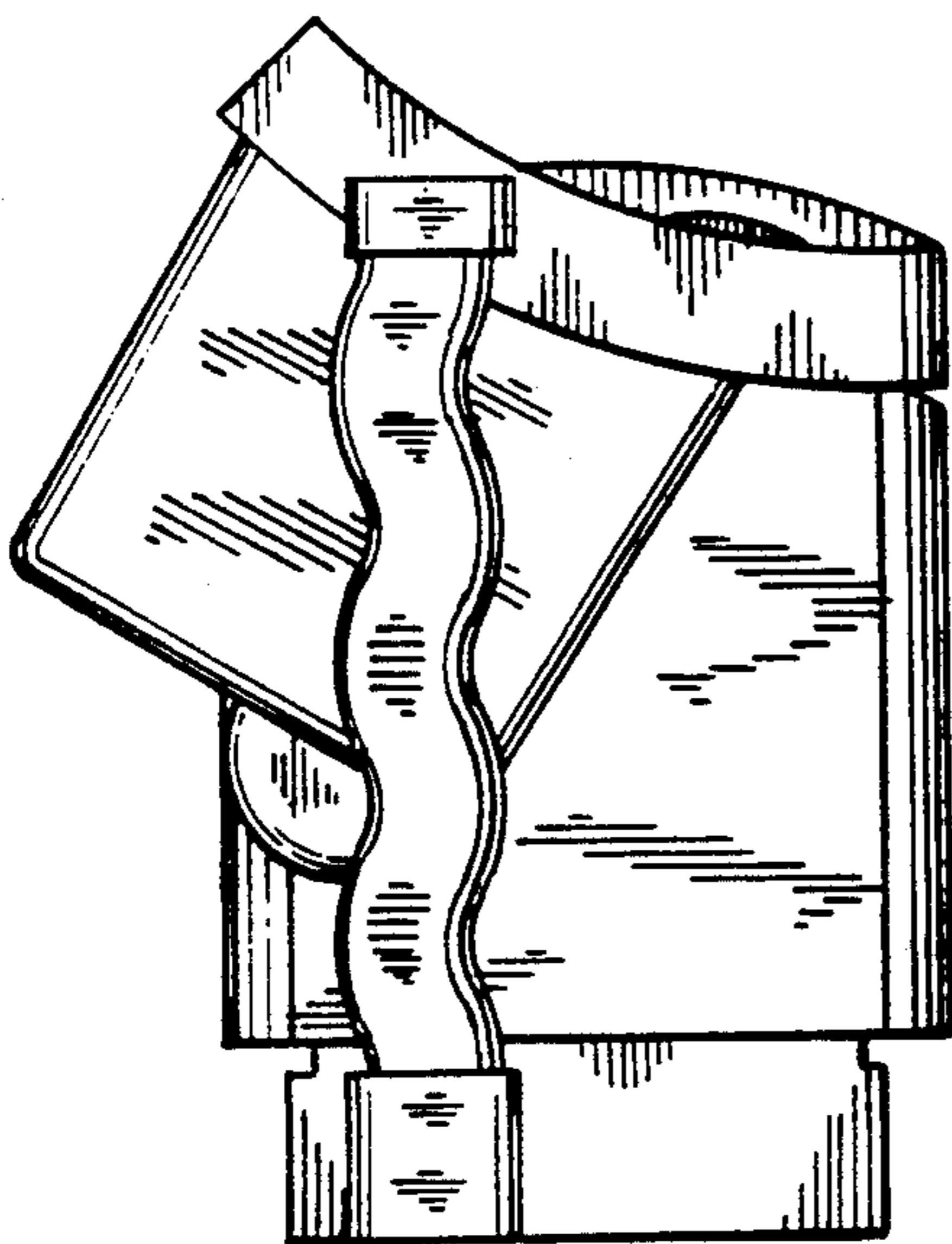


FIG. 3

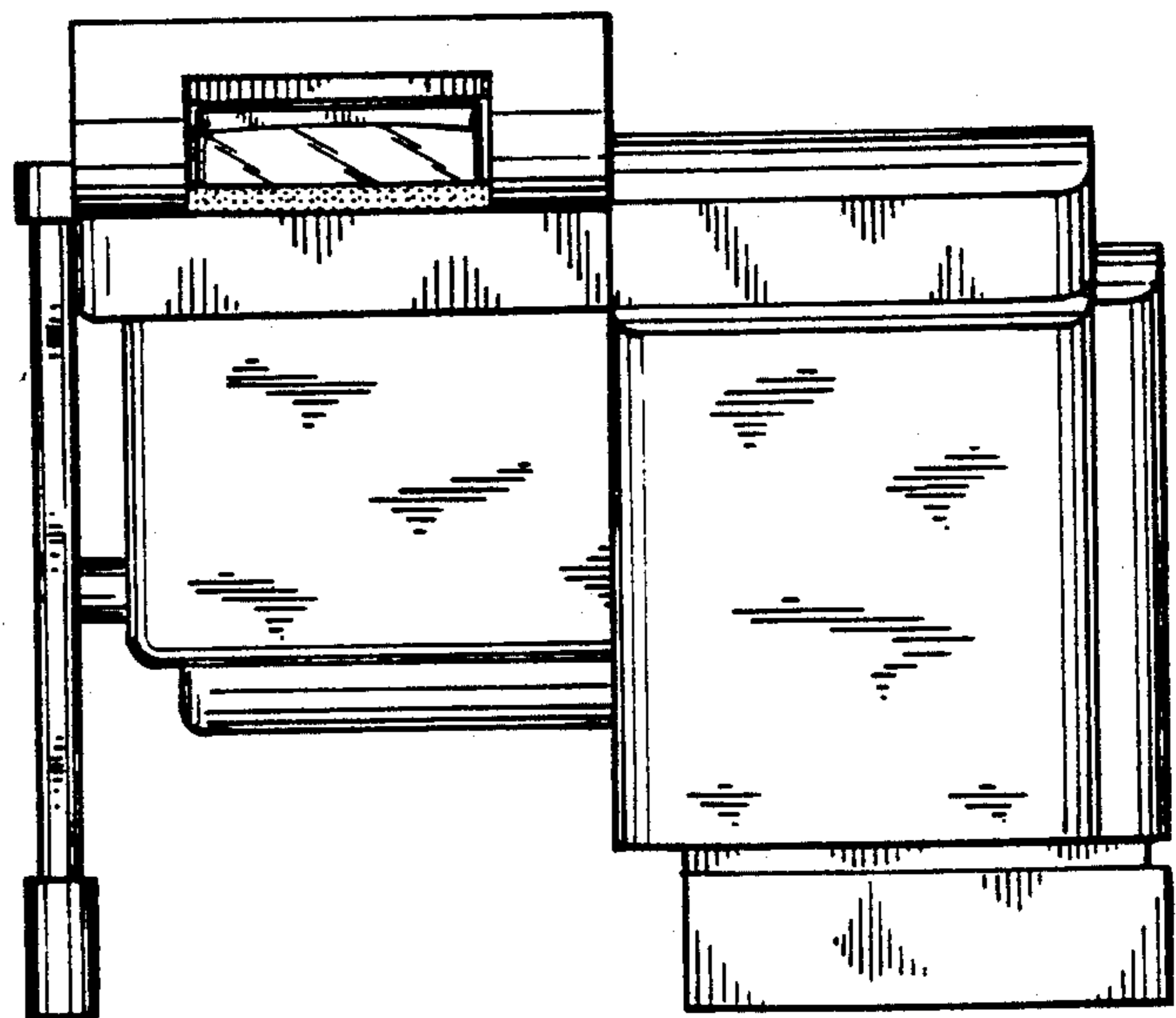


FIG. 4

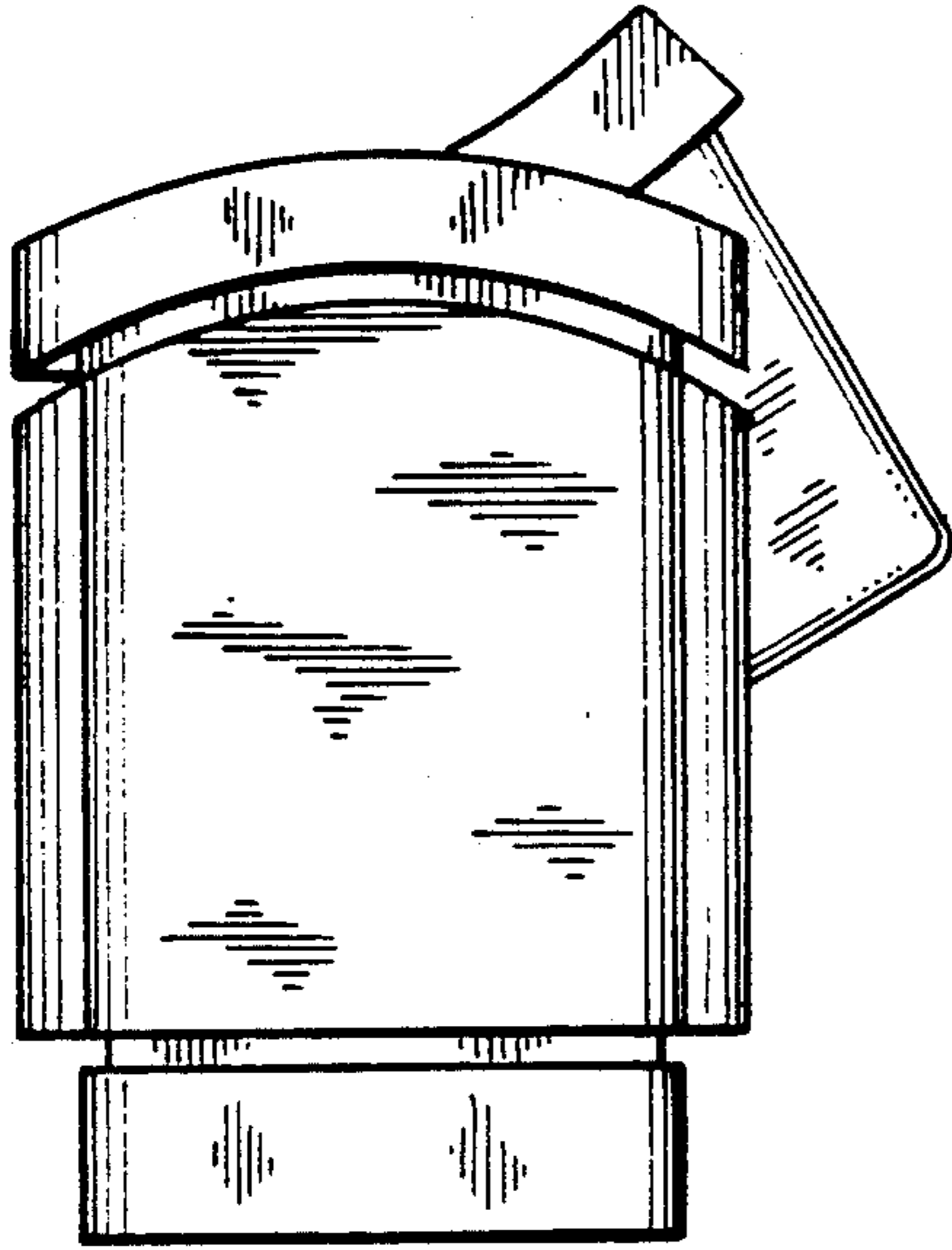


FIG. 5

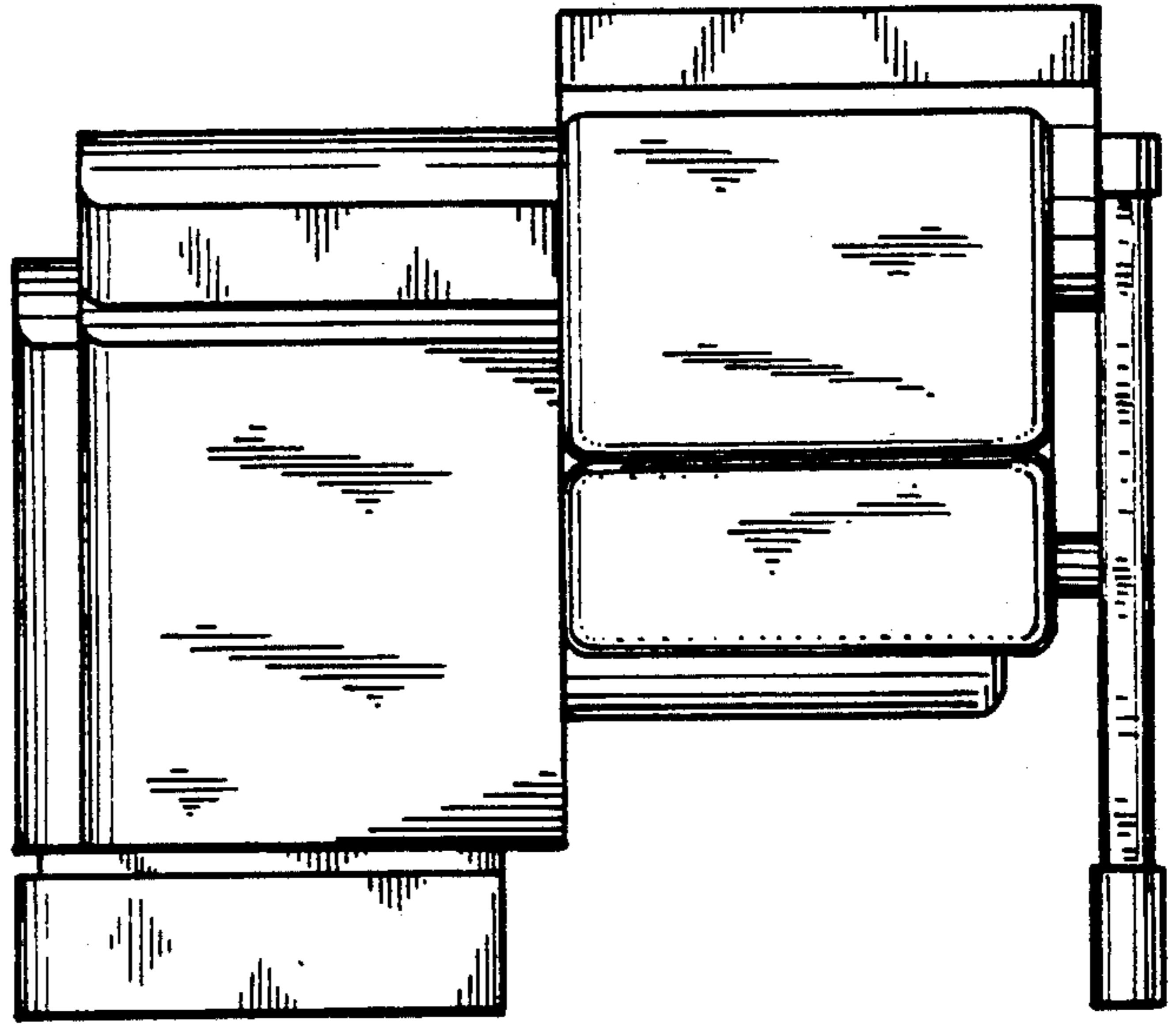


FIG. 6

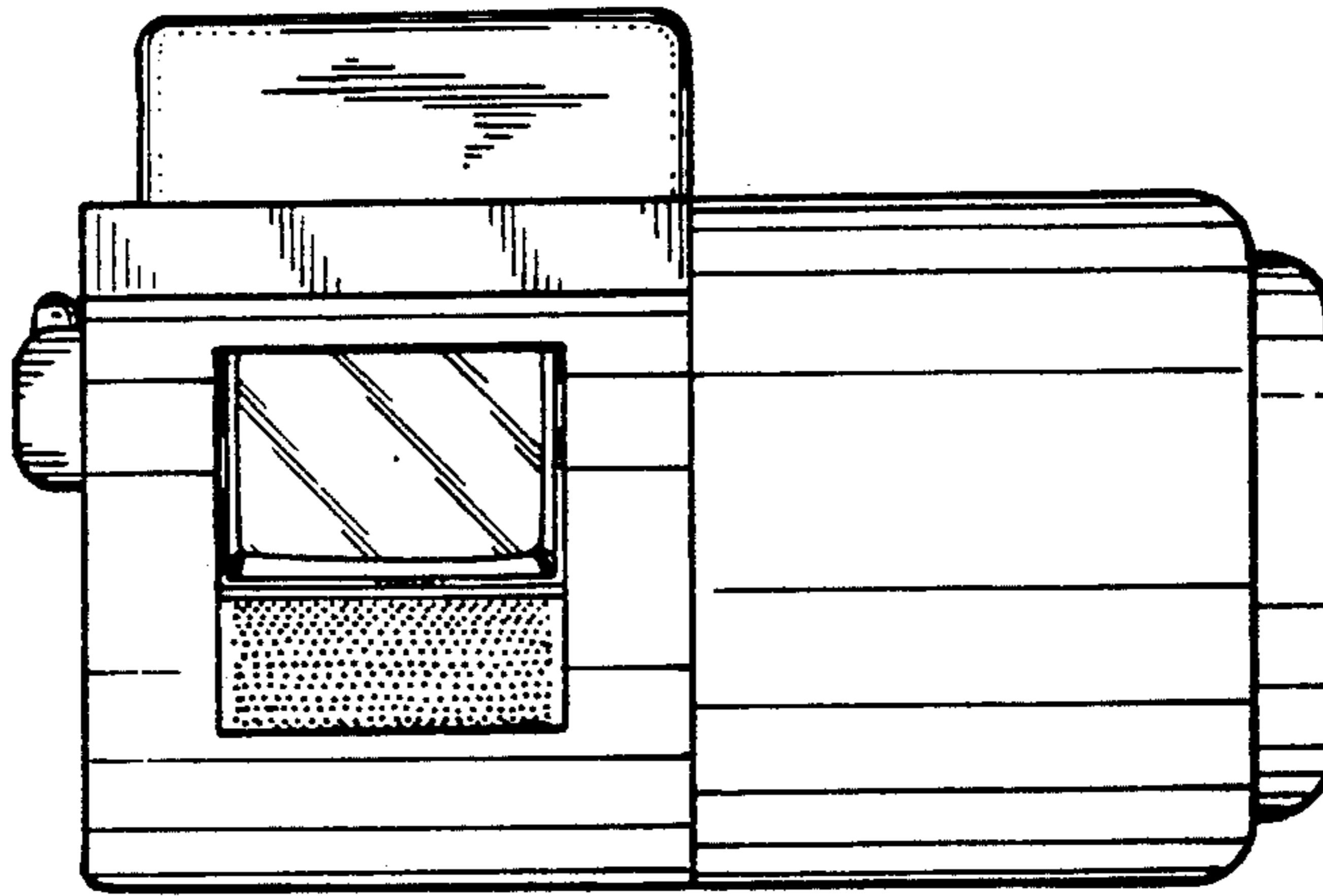


FIG. 7

