



US00D323343S

# United States Patent [19]

[11] Patent Number: **Des. 323,343**

Richardson et al.

[45] Date of Patent: **\*\* Jan. 21, 1992**

[54] **COMPUTERIZED ENGRAVING MACHINE**

[75] Inventors: **William A. Richardson, Berkeley Heights; Frank Zimmerman, Hiawatha, both of N.J.**

[73] Assignee: **Xenotech USA, Inc., Baton Rouge, La.**

[\*\*] Term: **14 Years**

[21] Appl. No.: **159,646**

[22] Filed: **Feb. 24, 1988**

[52] U.S. Cl. .... **D18/50; 409/202**

[58] Field of Search ..... **D18/13; 90/15, 17; 427/8; D15/122, 125, 128; 33/18.1; 358/299; 409/80, 202**

3,783,741	1/1974	Schadebrodt et al. ....	409/80
3,925,602	12/1975	Doi et al. ....	358/299
4,468,160	8/1984	Campbell, Jr. ....	402/202
4,561,814	12/1985	Dahlgren, Jr. et al. ....	409/202

*Primary Examiner*—A. Hugo Word  
*Assistant Examiner*—R. T. Seifert  
*Attorney, Agent, or Firm*—Ralph W. Selitto, Jr.

[57] **CLAIM**

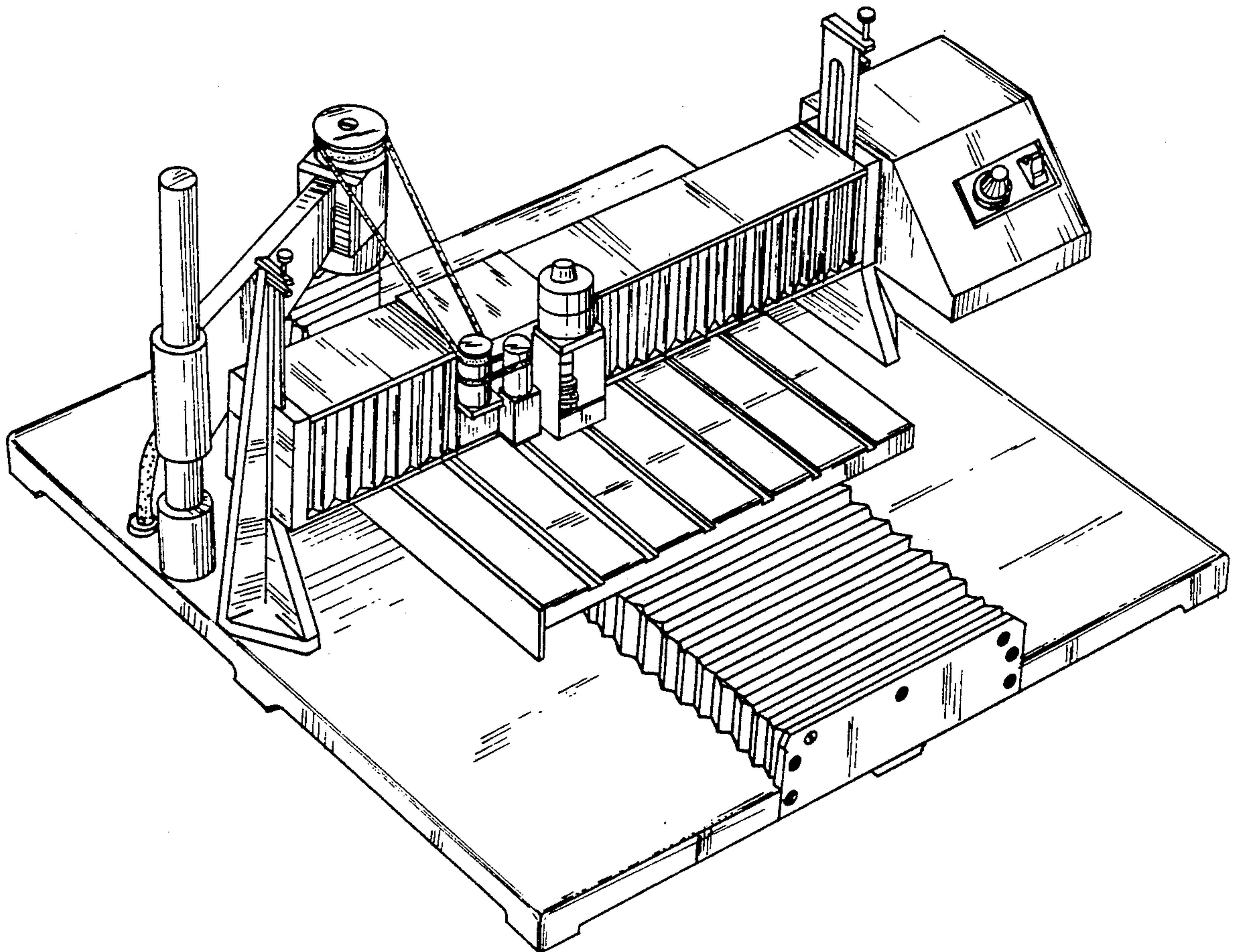
The ornamental design for a computerized engraving machine, as shown.

**DESCRIPTION**

FIG. 1 is a perspective view of a computerized engraving machine showing our new design; FIG. 2 is a front elevational view thereof; FIG. 3 is a back elevational view of thereof; FIG. 4 is a side elevational view taken from the left of FIG. 1; FIG. 5 is a side elevational view taken from the right of FIG. 1; FIG. 6 is a top plan view of thereof; and FIG. 7 is a bottom plan view of thereof.

[56] **References Cited**  
**U.S. PATENT DOCUMENTS**

D. 280,642	9/1985	Neiman .....	D18/13
2,508,468	5/1950	Rathje, Jr. ....	33/18.1
3,312,562	4/1967	Miller .....	427/8
3,650,178	3/1972	Appleton .....	409/202



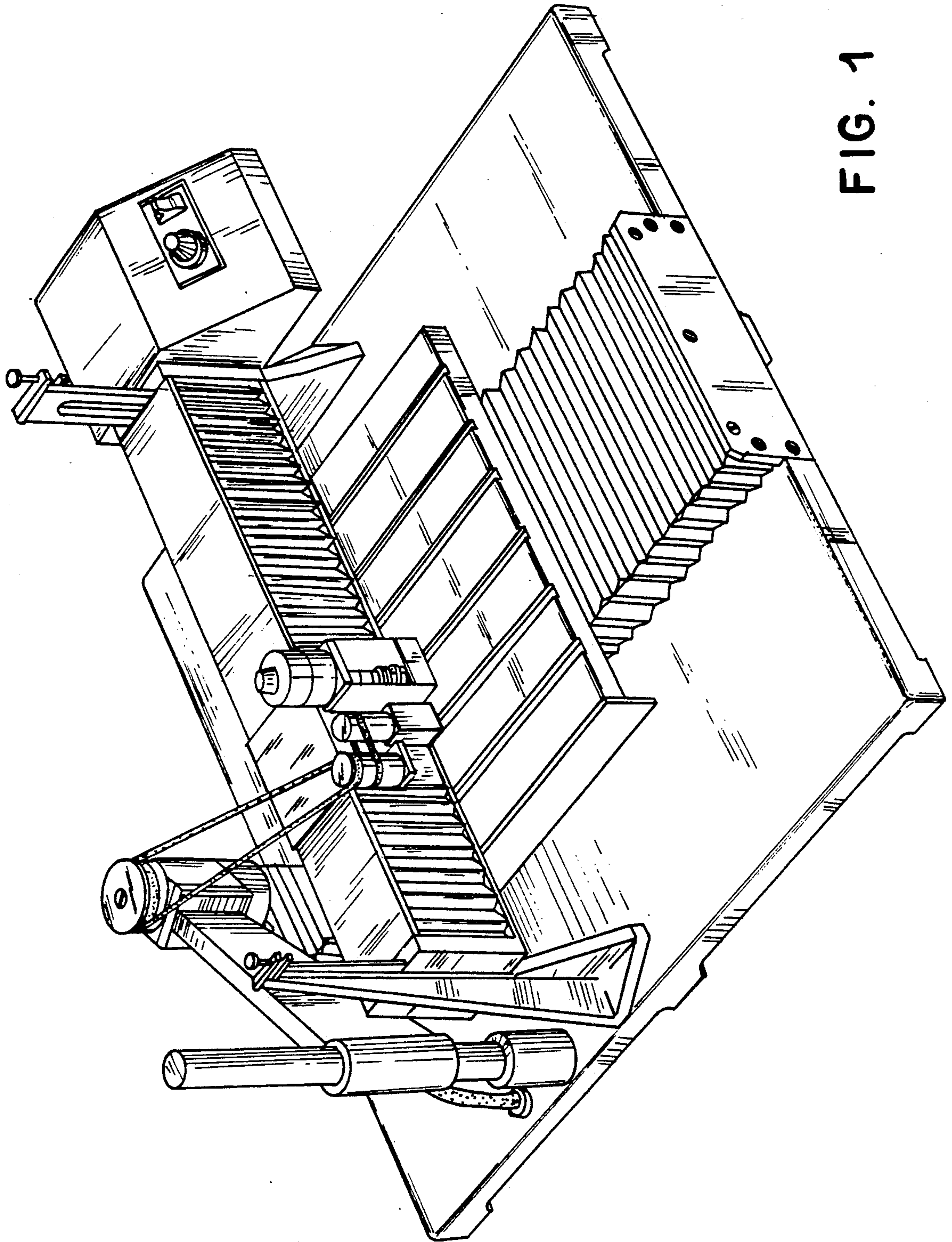


FIG. 1



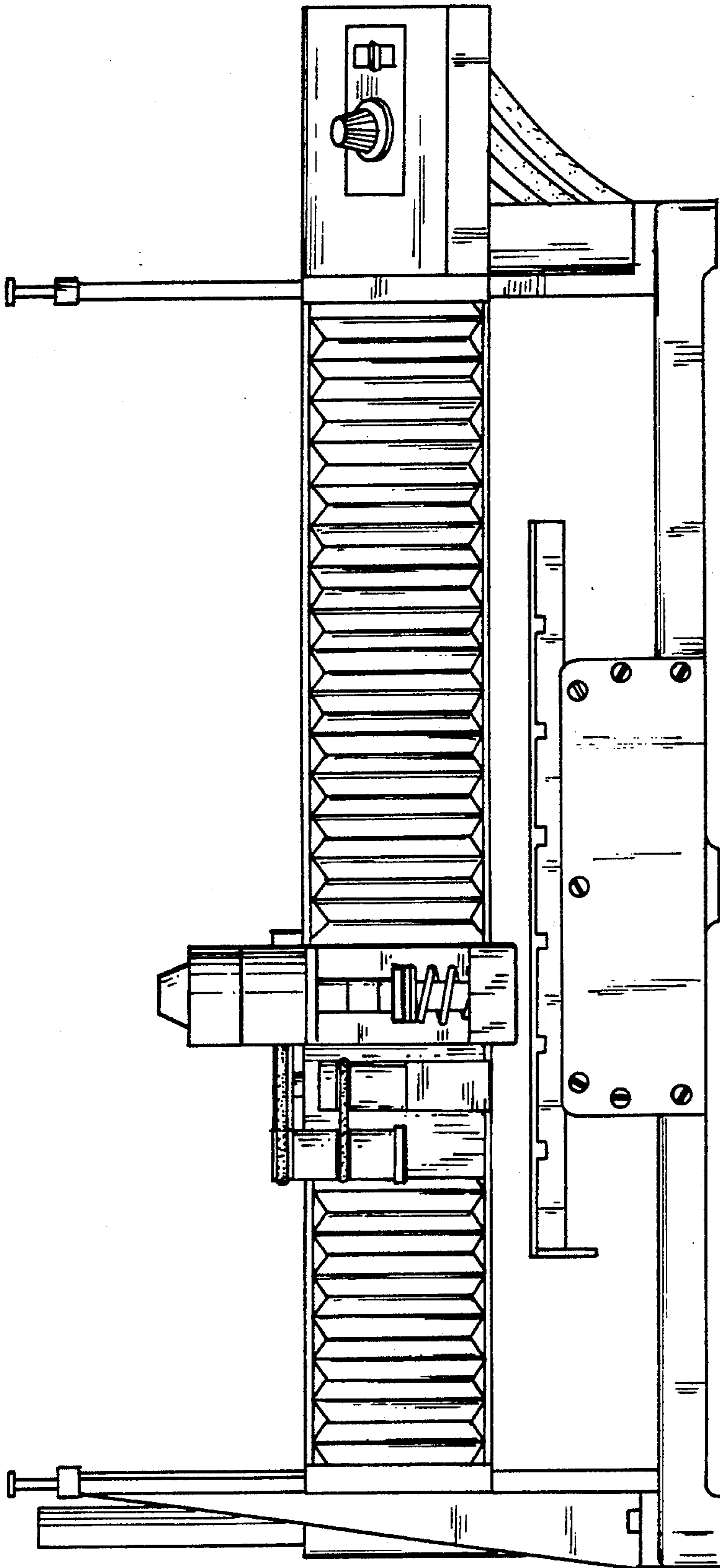


FIG. 2

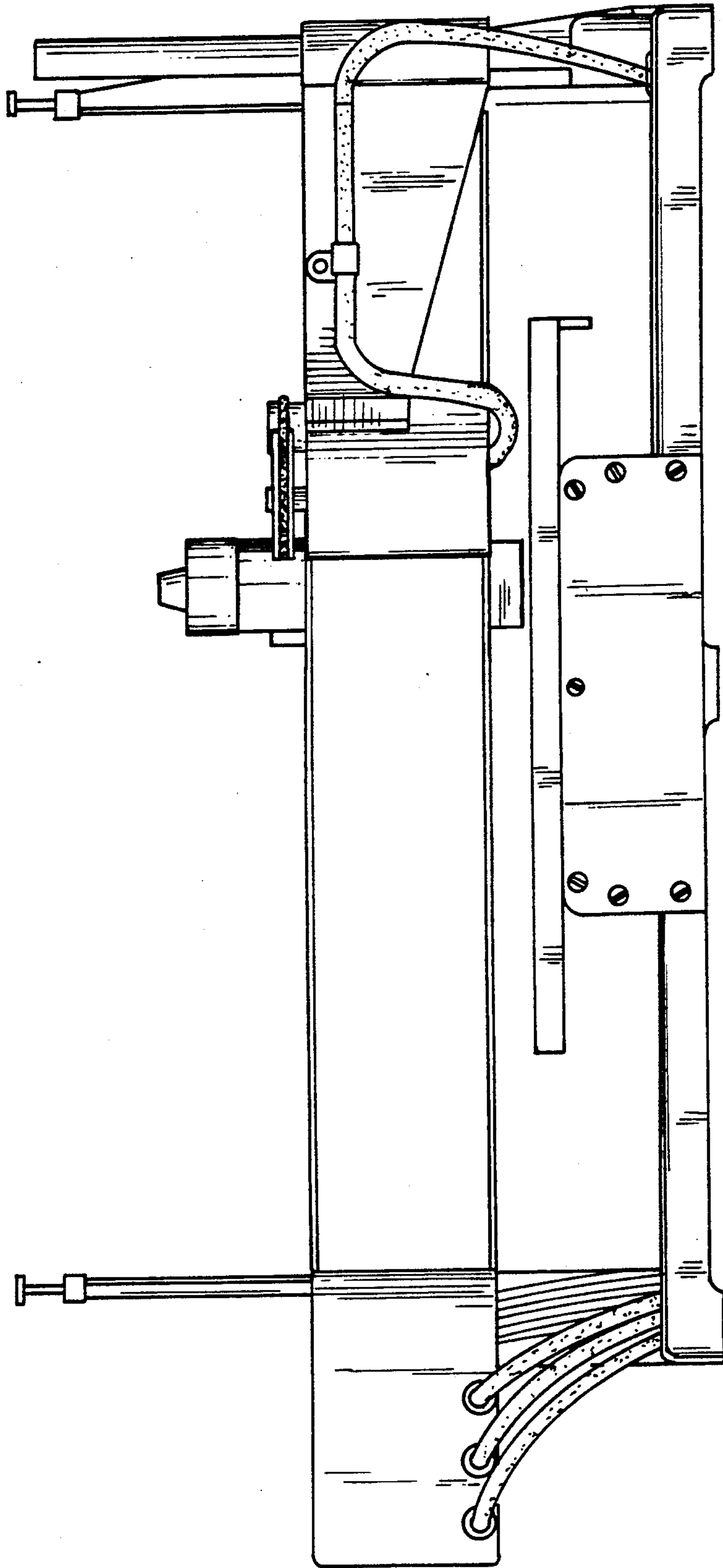


FIG. 3

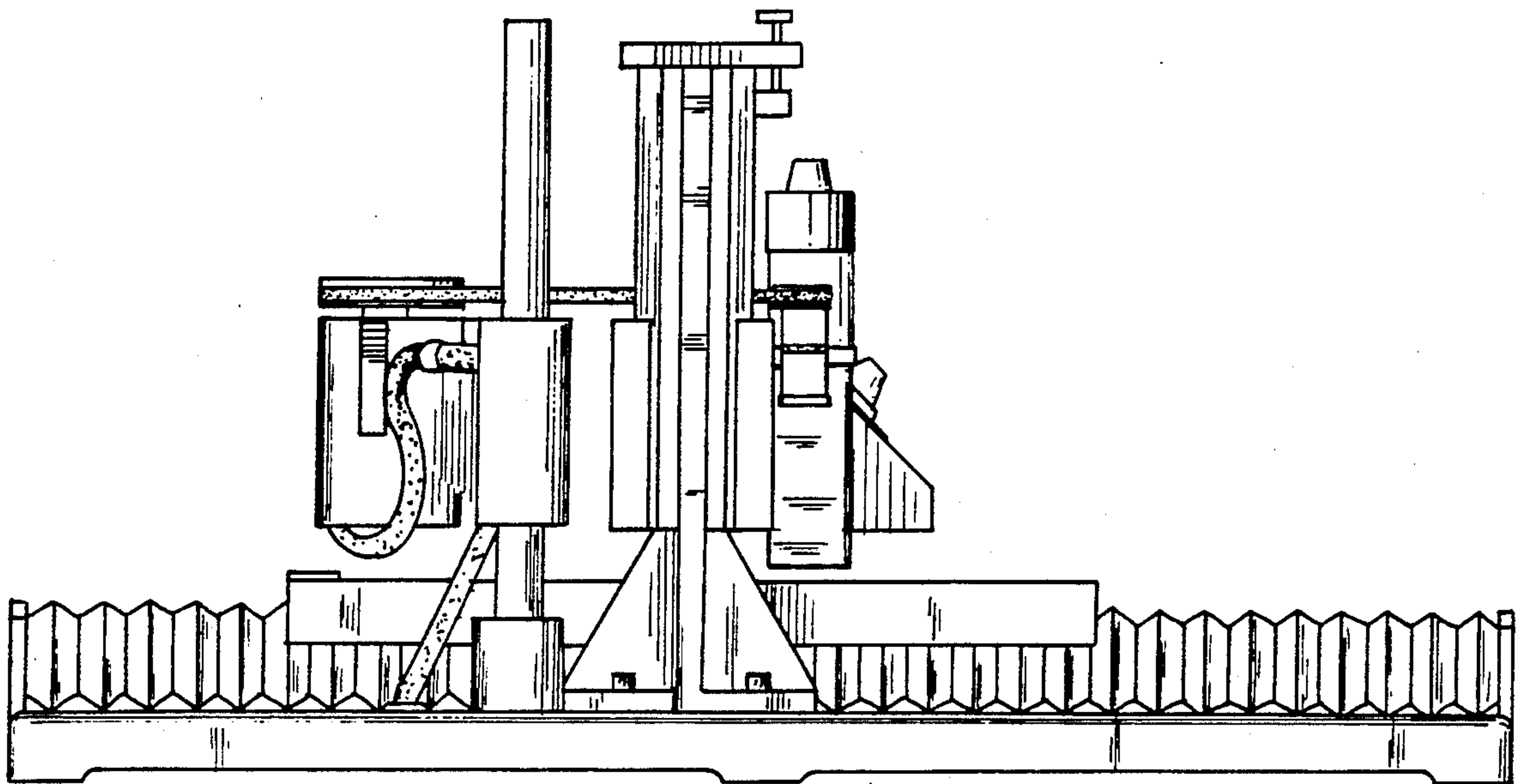


FIG. 4

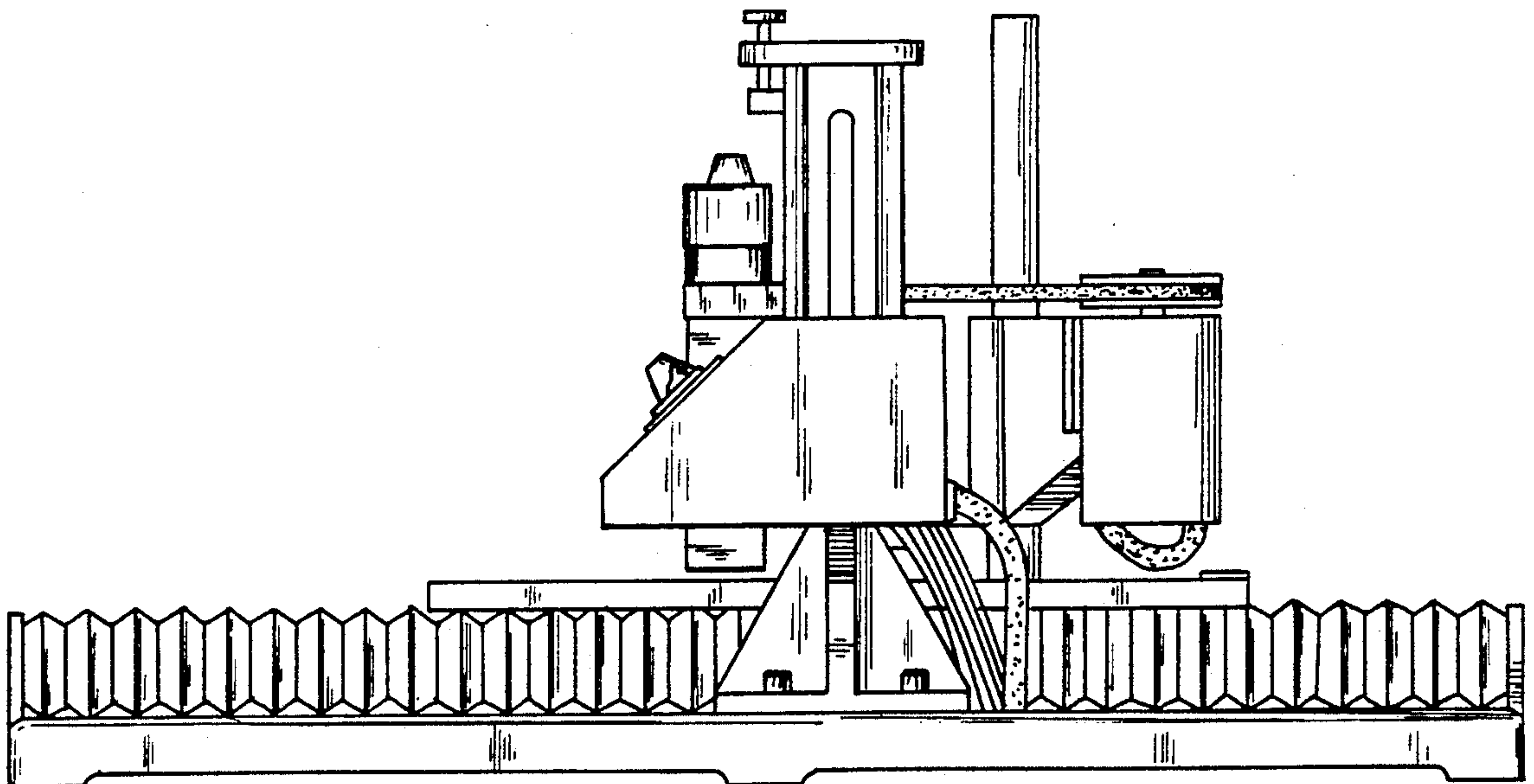


FIG. 5

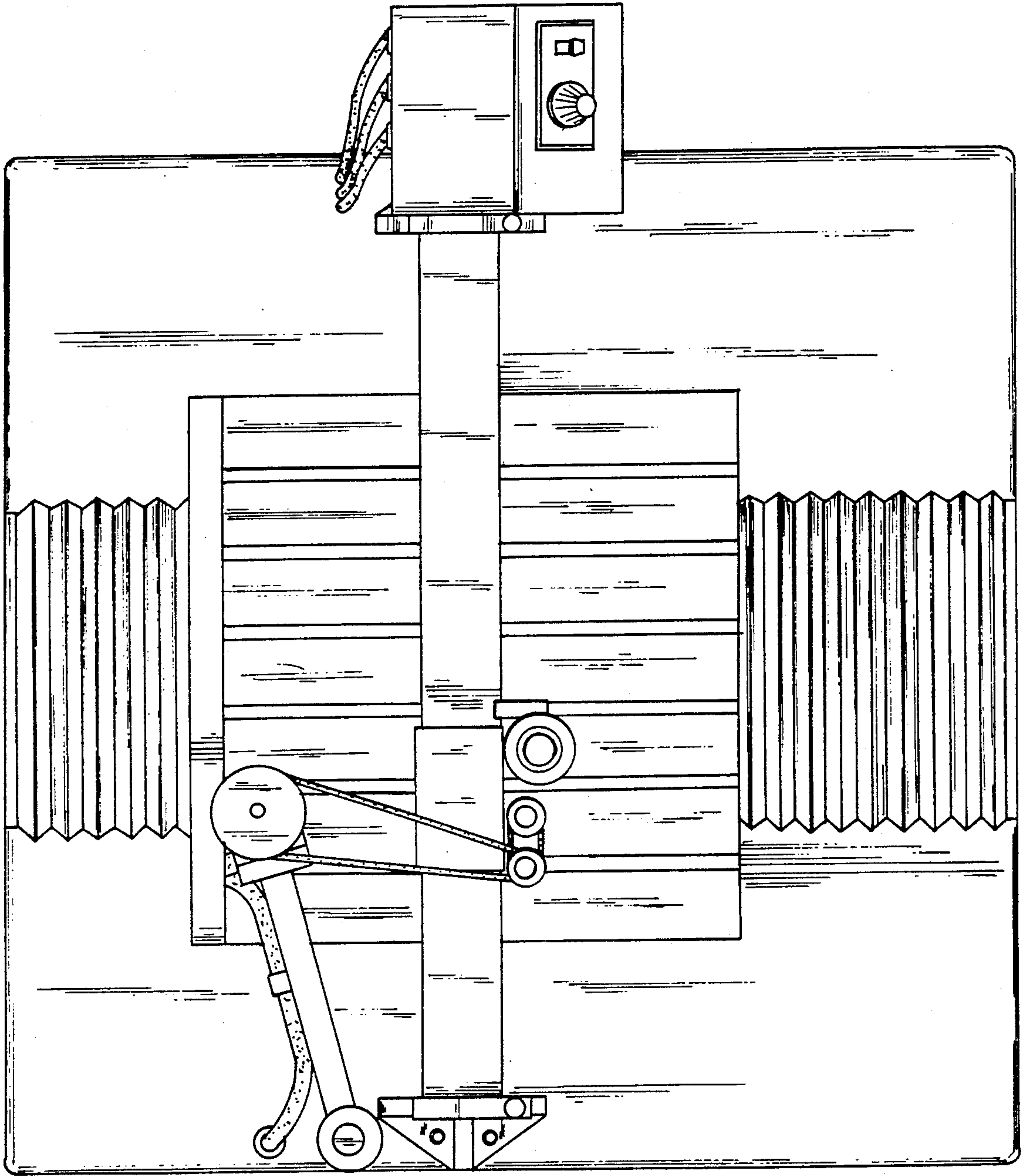


FIG. 6

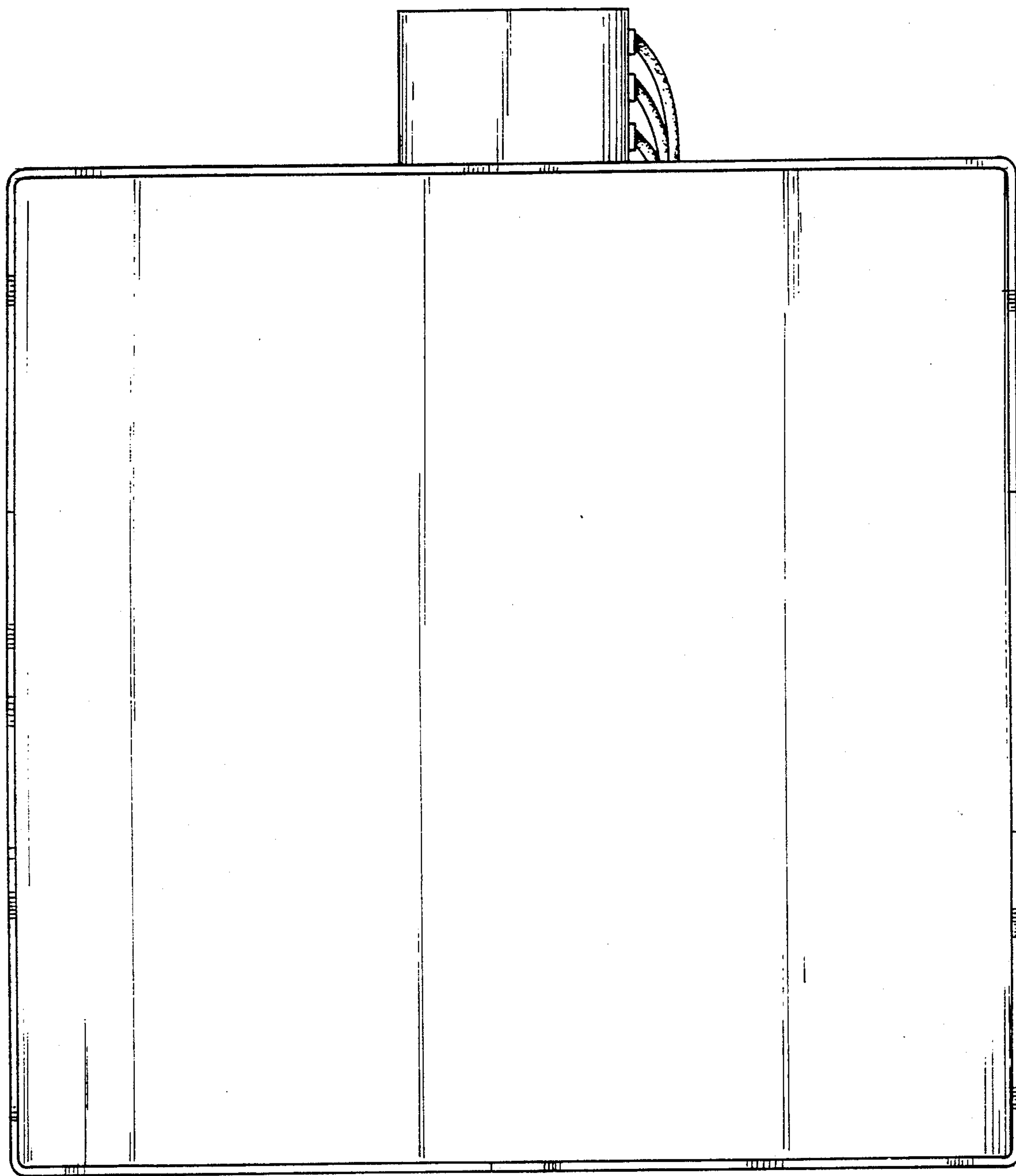


FIG. 7