



US00D323342S

United States Patent [19]

[11] Patent Number: **Des. 323,342**

Bellini

[45] Date of Patent: **** Jan. 21, 1992**

[54] **INK RIBBON CARTRIDGE**

[56] **References Cited**

[76] Inventor: **Mario Bellini, Milan, Italy**

U.S. PATENT DOCUMENTS

[*] Notice: The portion of the term of this patent subsequent to Aug. 21, 2000 has been disclaimed.

D. 246,332 11/1977 Bellini D18/12
D. 277,193 1/1985 Asahi D18/12
4,511,271 4/1985 Oberto 400/208

[**] Term: **14 Years**

Primary Examiner—Louis S. Zarfes

[21] Appl. No.: **594,271**

[57] **CLAIM**

[22] Filed: **Mar. 28, 1984**

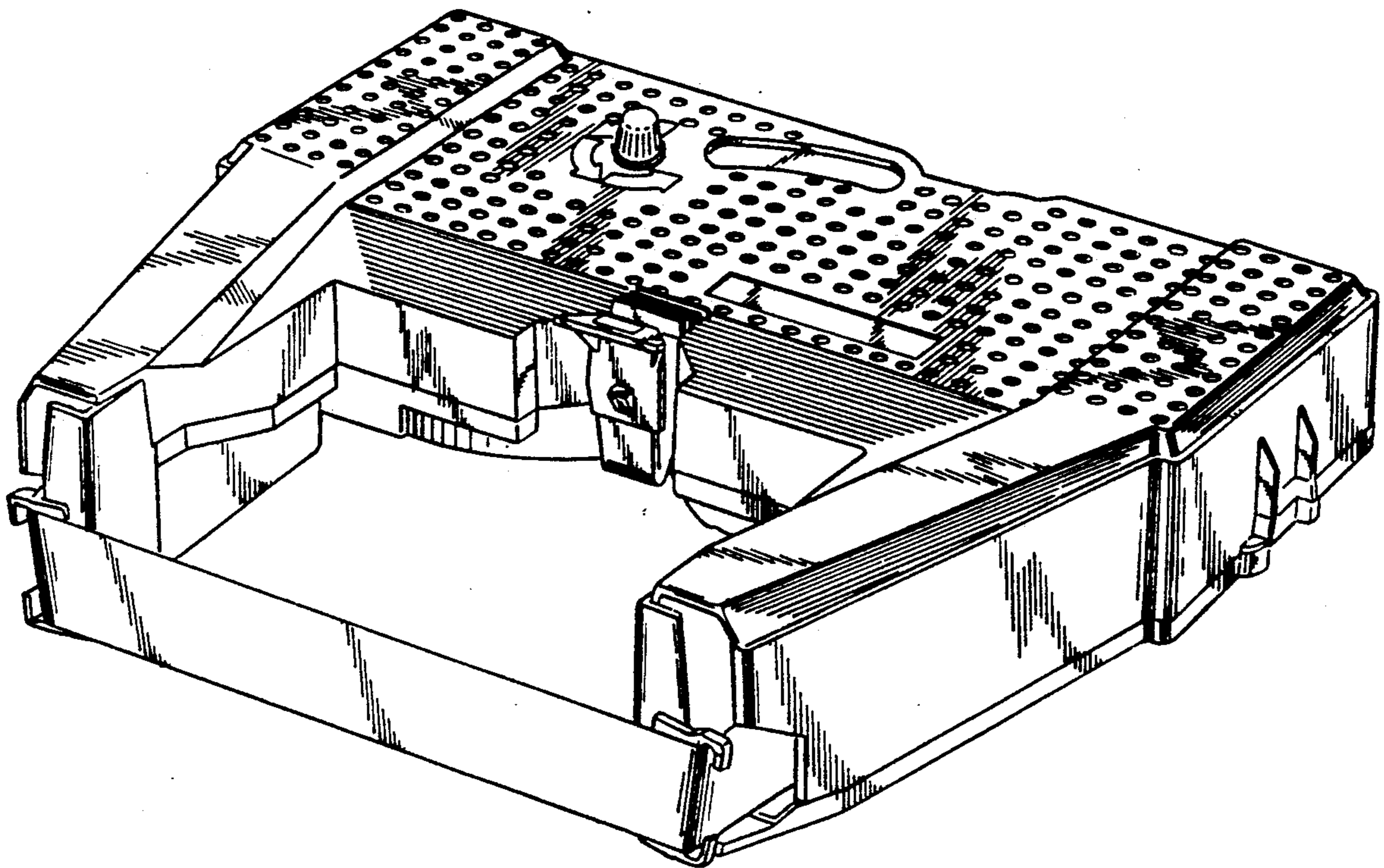
The ornamental design for an ink ribbon cartridge, substantially as shown and described.

[30] **Foreign Application Priority Data**

DESCRIPTION

Sep. 29, 1983 [IT] Italy 53761/83[U]
[52] U.S. Cl. **D18/12**
[58] Field of Search D18/12, 22; D14/11;
400/207, 208, 689-694

FIG. 1 is a front and right perspective view of an ink ribbon cartridge showing my new design;
FIG. 2 is a rear and left perspective view thereof;
FIG. 3 is a left side elevational view thereof; and
FIG. 4 is a bottom plan view thereof.



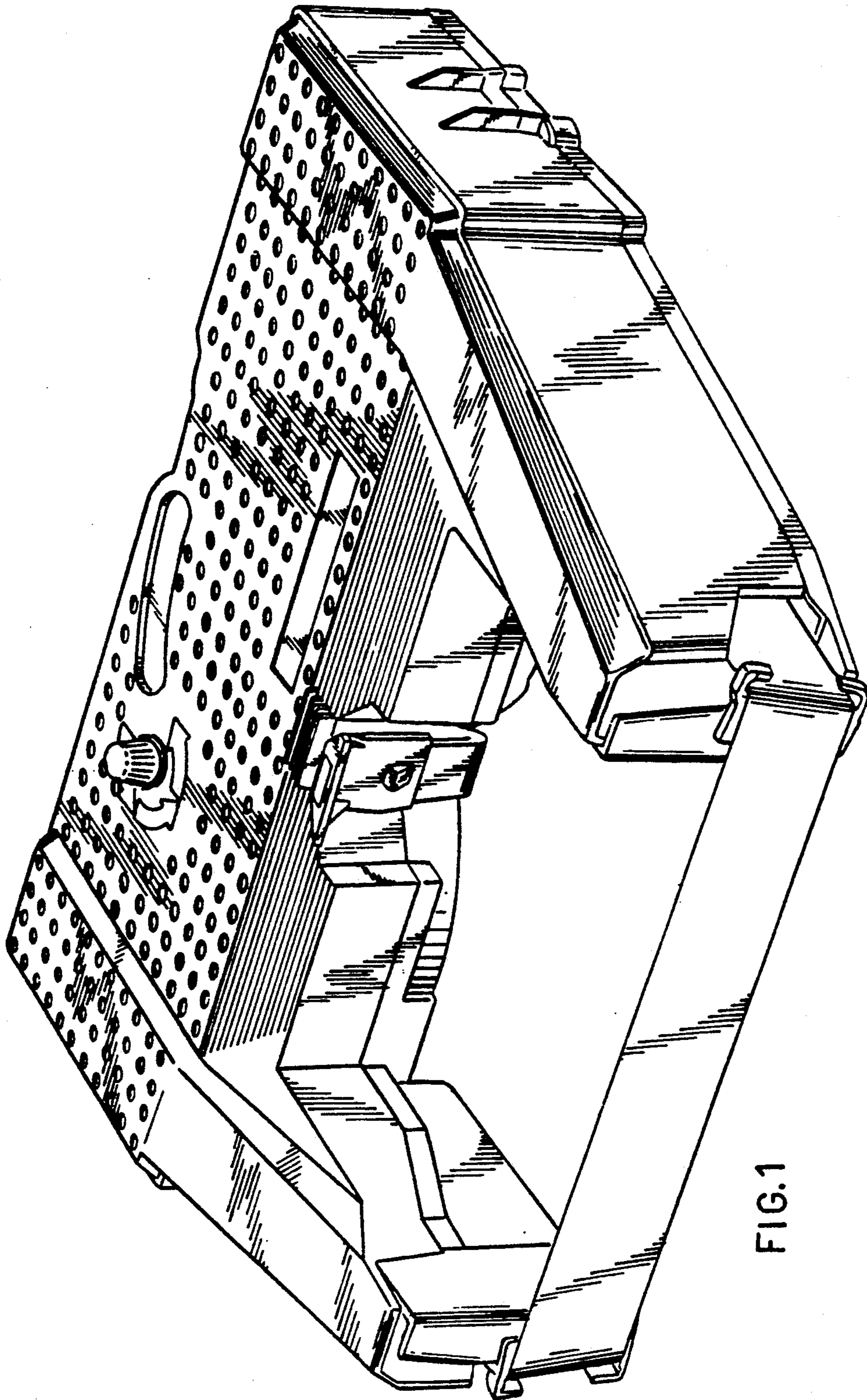


FIG.1

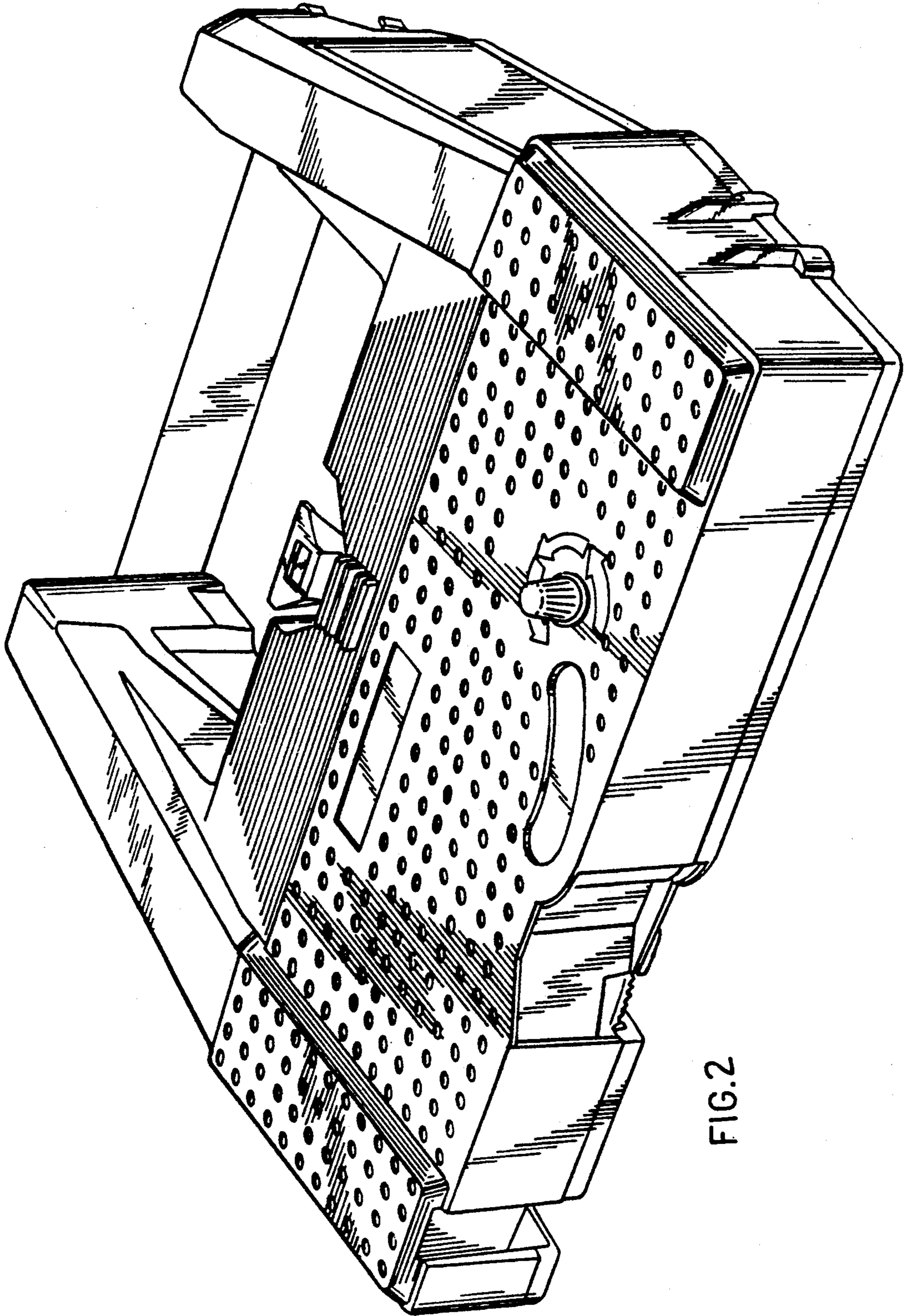


FIG.2

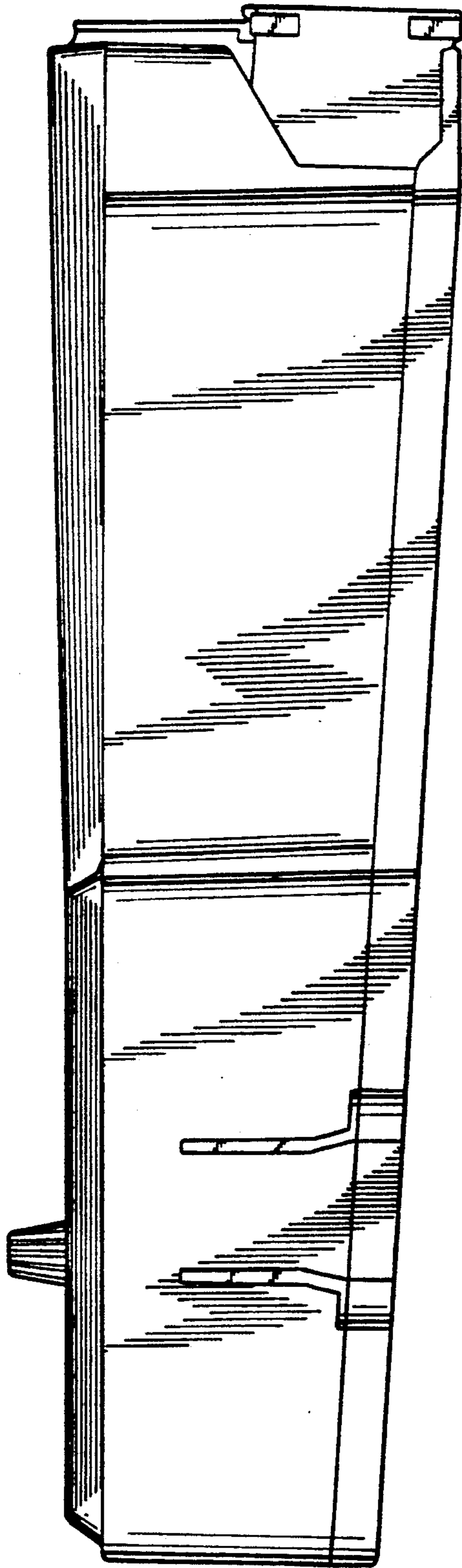


FIG. 3

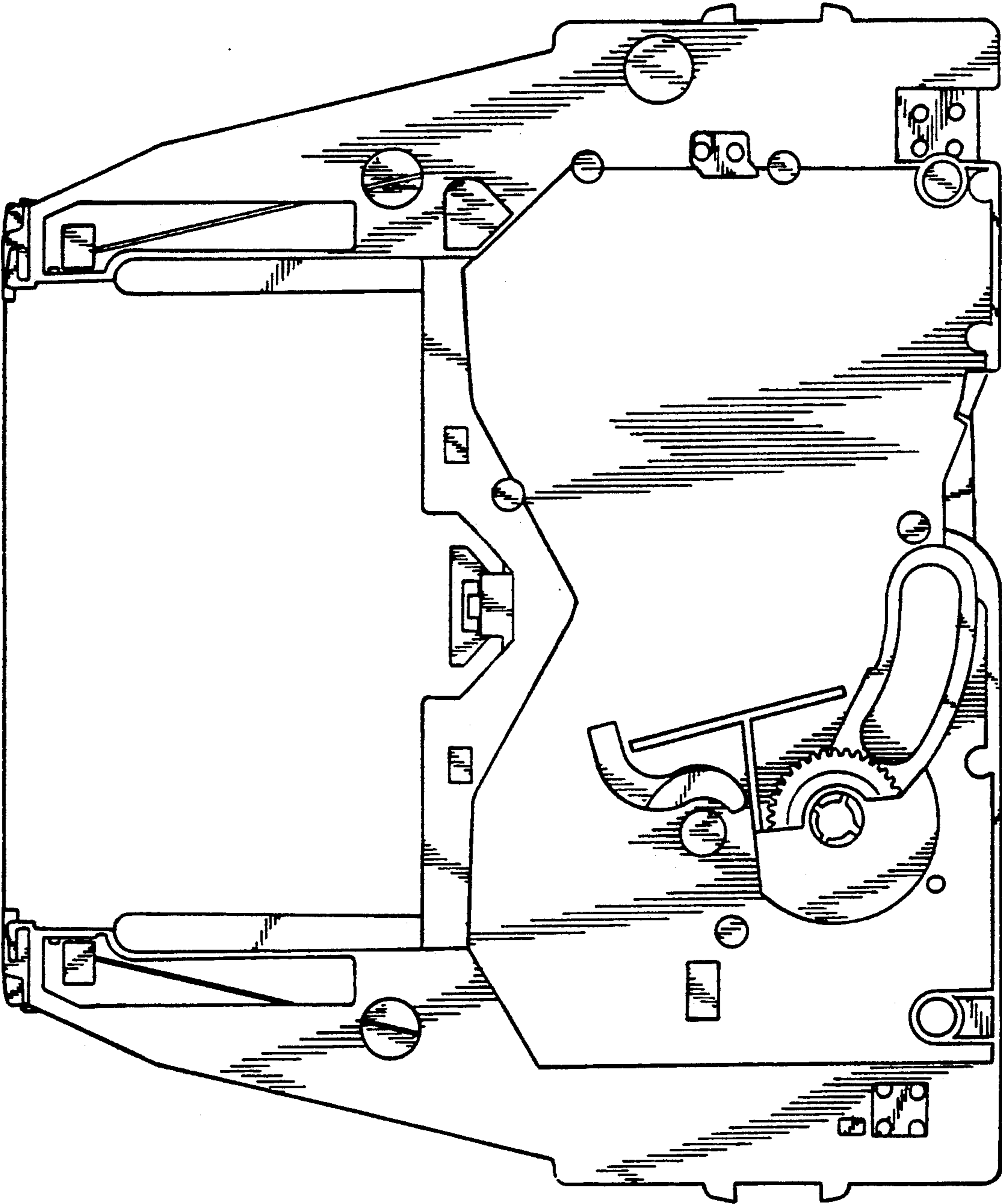


FIG. 4