



US00D323341S

United States Patent [19]

[11] Patent Number: **Des. 323,341**

Bellini

[45] Date of Patent: **** Jan. 21, 1992**

[54] INK RIBBON CARTRIDGE

[56] References Cited

[75] Inventor: **Mario Bellini, Milan, Italy**

U.S. PATENT DOCUMENTS

[73] Assignee: **Ing. C. Olivetti & C.
S.P.A., Italy**

| | | | | |
|------------|---------|---------|-------|---------|
| D. 246,332 | 11/1977 | Bellini | | D18/12 |
| D. 277,193 | 1/1985 | Asahi | | D18/12 |
| 4,511,271 | 4/1985 | Oberto | | 400/208 |

[**] Term: **14 Years**

Primary Examiner—Louis S. Zarfes

[21] Appl. No.: **594,262**

[57] CLAIM

[22] Filed: **Mar. 28, 1984**

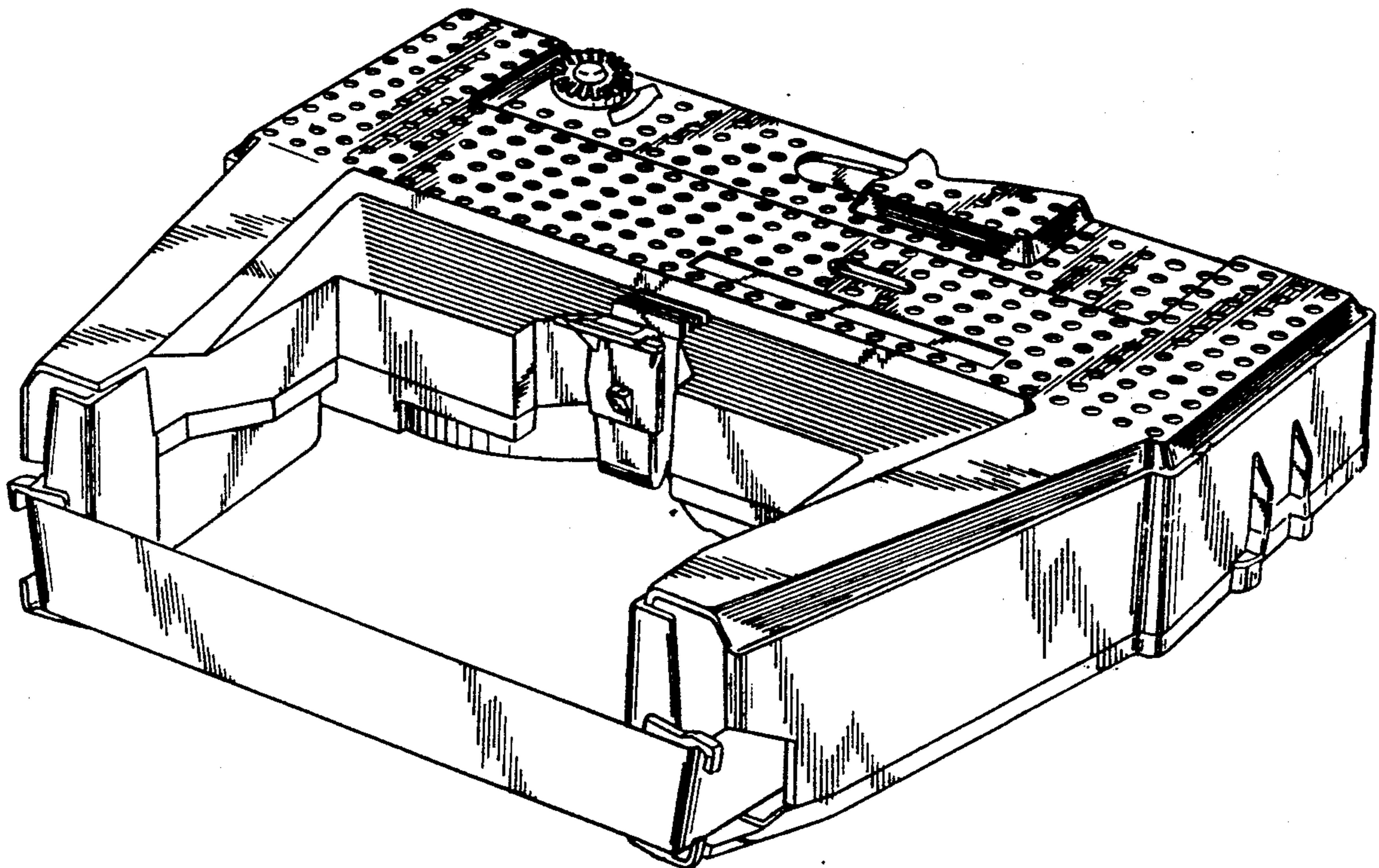
The ornamental design for an ink ribbon cartridge, substantially as shown and described.

[30] Foreign Application Priority Data

DESCRIPTION

Nov. 8, 1983 [IT] Italy 53896/83[U]
 [52] U.S. Cl. **D18/12**
 [58] Field of Search D18/12, 22; D14/11;
 400/207, 208, 689-694

FIG. 1 is a front and right perspective view of an ink ribbon cartridge showing my new design;
 FIG. 2 is a rear and left perspective view thereof;
 FIG. 3 is a left side elevational view thereof; and
 FIG. 4 is a bottom plan view thereof.



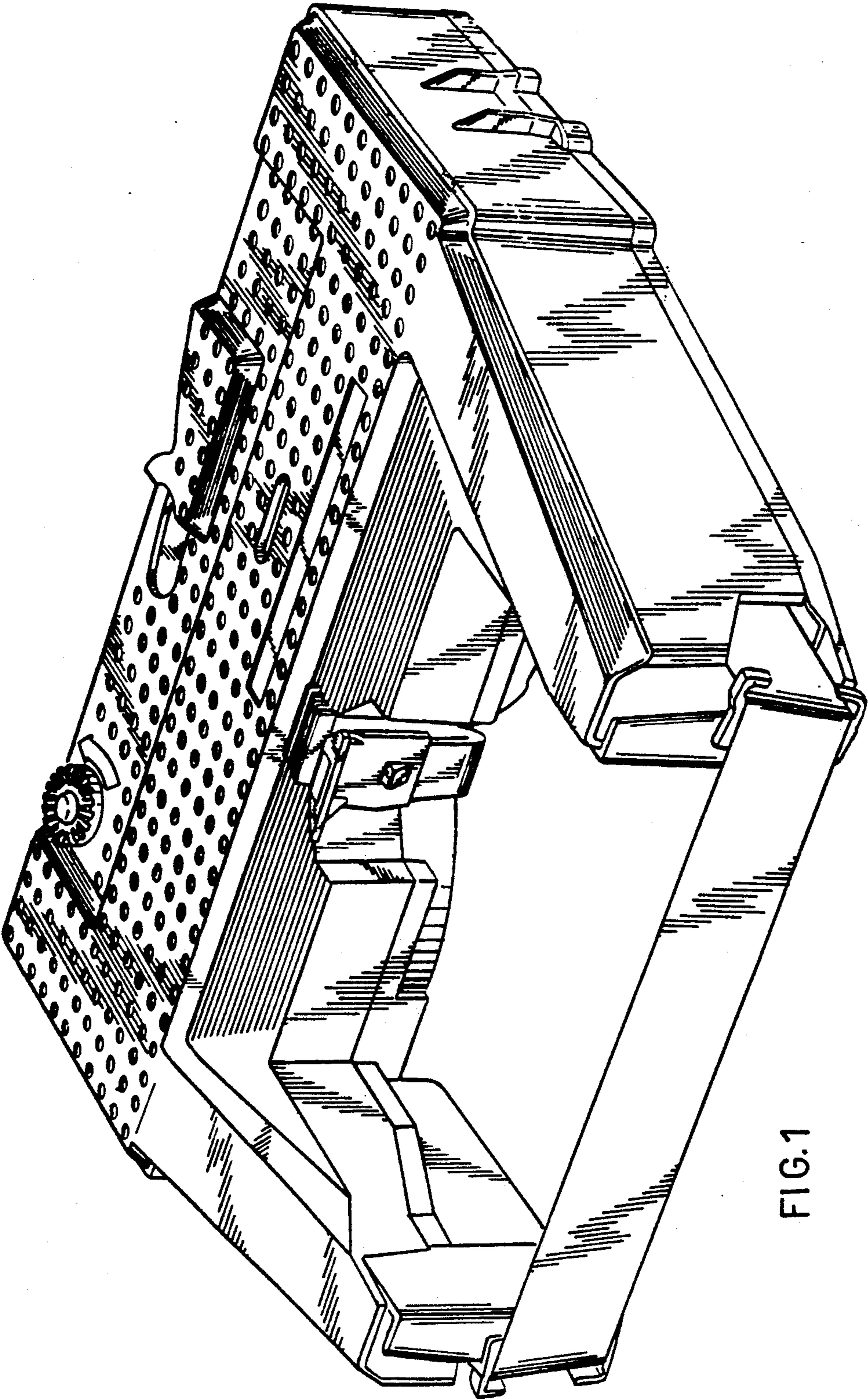


FIG.1

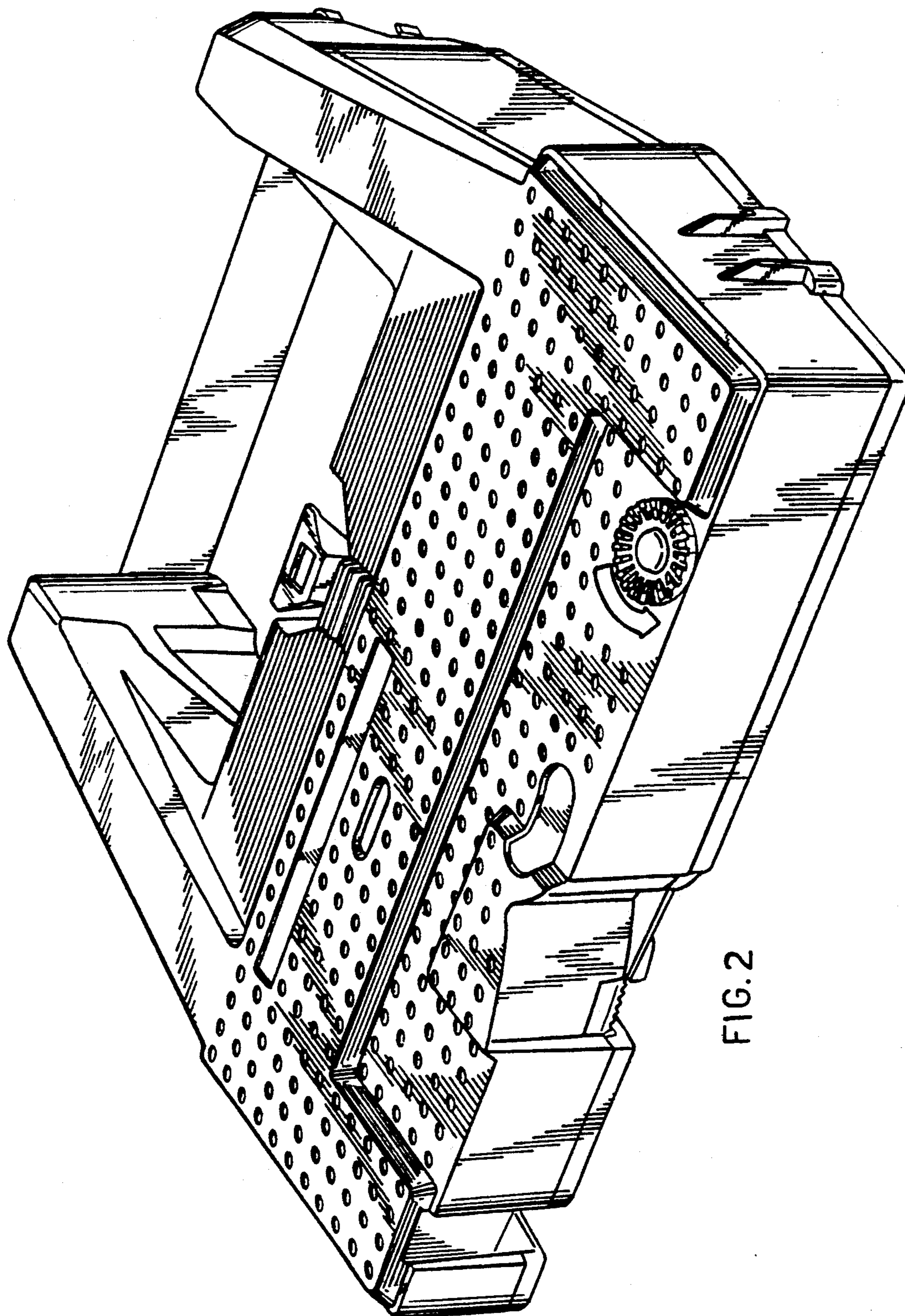


FIG. 2

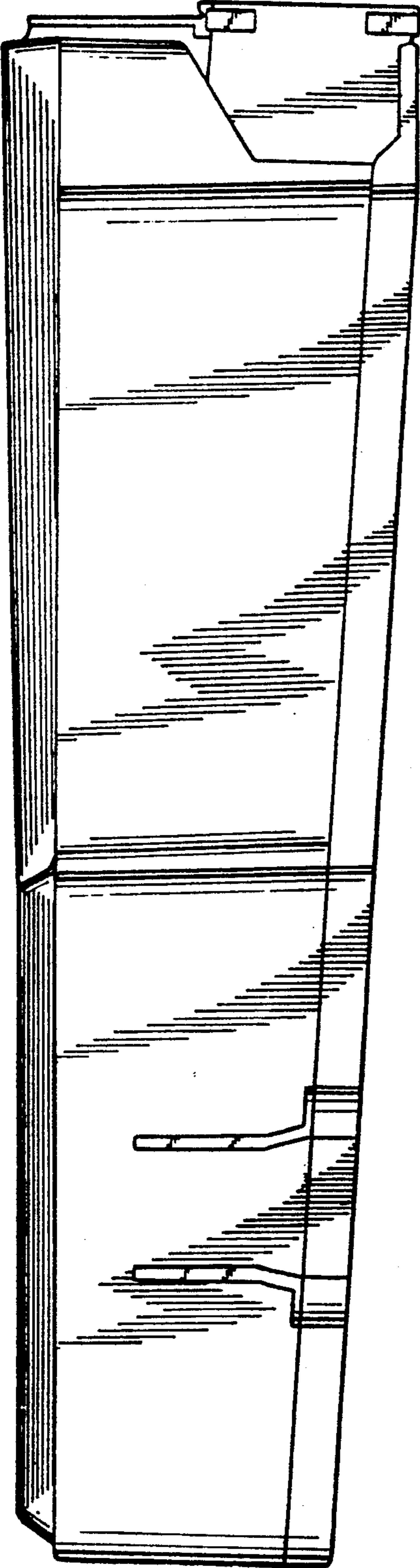


FIG.3

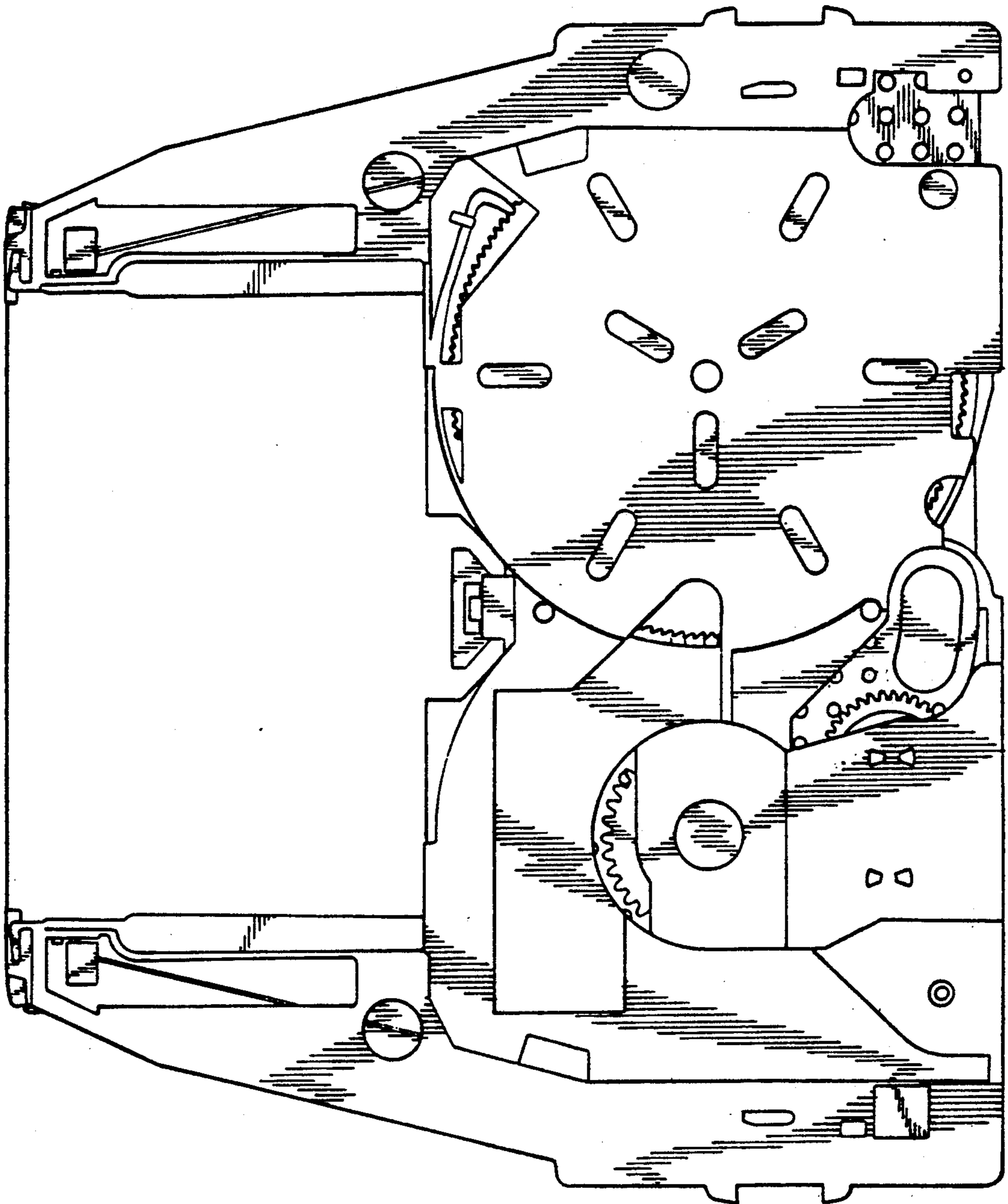


FIG.4